

parts catalogue



DT 67
DTA67

Deze onderdelencatalogus bevat waardevolle informatie voor onderhoud en service aan uw motor.

Wij adviseren U, bij vervanging, alleen originele *VERVUS* onderdelen toe te passen.

Het typeplaatje bevat informatie over de typeaanduiding en motornummer.


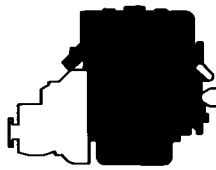
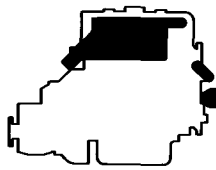
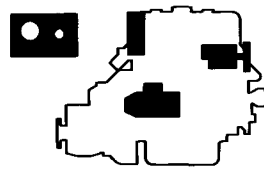
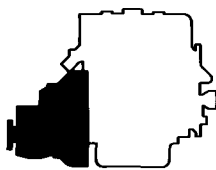
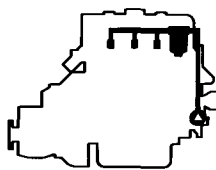

Gebruik deze informatie bij bestelling van onderdelen.

This parts'catalogue contains valuable information for maintenance and service over your engine.

For replacement, we recommend that you use only genuine *VERVUS* parts.

The identificaton plate contains information about the model and serial number.

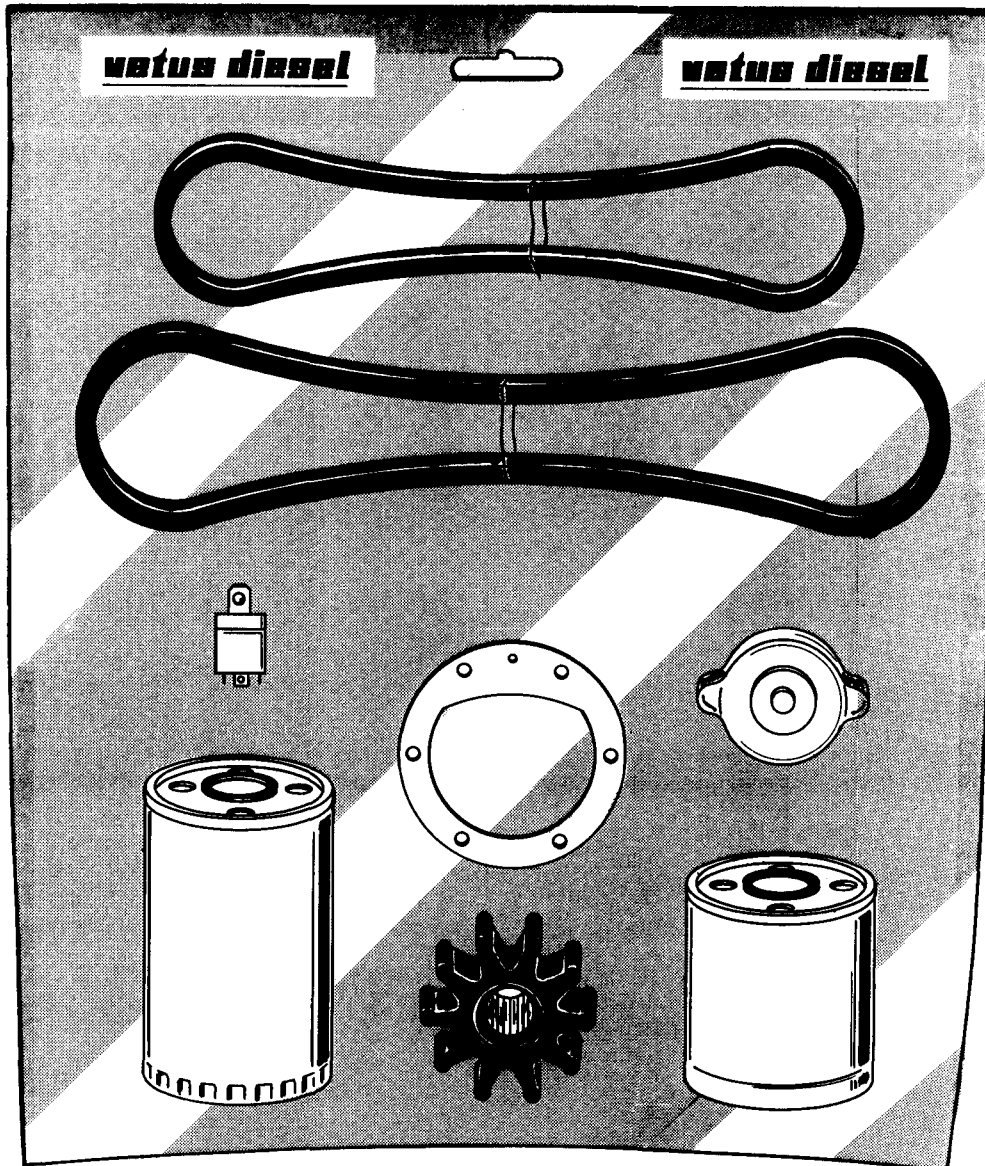
Use this information when ordering parts.

	RESERVE KITS SPARE PARTS KIT	1
	MOTOR ENGINE	2
	KOELING COOLING	3
	ELECTRA, BEDIENING EN INSTRUMENTEN ELECTRICS, CONTROLS, INSTRUMENTS	4
	AANDRIJVING TRANSMISSION	5
	BRANDSTOFSYSTEEM FUEL SYSTEM	6
		7
		8
		9
	ACCESSOIRES OPTIONALS	10

groep/ group	blz./ page	type	omschrijving/description	datum/date
1	1	DT67-DTA67	Service kit 12V. Service kit 12V.	3.6.98

pos.	qty	part	benaming	description
1	1	VD60210	Brandstoffilter	Fuelfilter
2	1	VD20263	Oliefilter	Oilfilter
3	1	STM8533	V-snaar dynamo	V-belt alternator
4	1	STM8779	V-snaar water/br.st.pomp	V-belt water/fuel pump
5	1	STM8122	Vul/drukdop	Filler/pressure cap
6	1	STM8250	Impeller+pakking	Impeller+gasket
7	1	STM9043	Relais 12V.	Relay 12V.
8	1	STM8755	Service kit compleet	Service kit cpl.

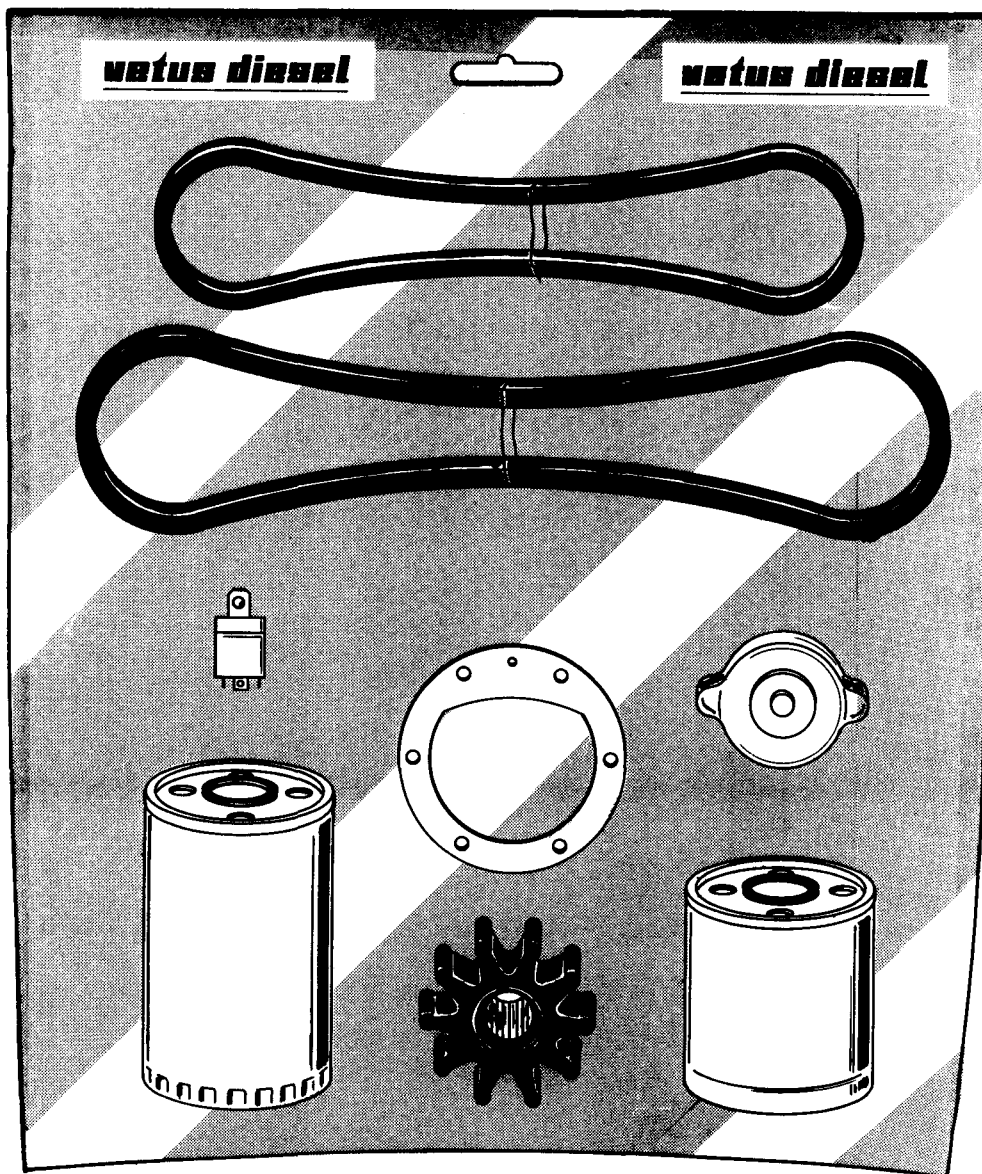
groep/ group	blz./ page	type	omschrijving/description	datum/date
1	1	DT67-DTA67	Service kit 12V. Service kit 12V.	5.11.97



groep/ group	blz./ page	type	omschrijving/description	datum/date
1	2	DT67-DTA67	Service kit 24V. Service kit 24V.	3.6.98

pos.	qty	part	benaming	description
1	1	VD60210	Brandstoffilter	Fuelfilter
2	1	VD20263	Oliefilter	Oilfilter
3	1	STM8533	V-snaar dynamo	V-belt alternator
4	1	STM8779	V-snaar water/br.st.pomp	V-belt water/fuel pump
5	1	STM8122	Vul/drukdop	Filler/pressure cap
6	1	STM8250	Impeller+pakking	Impeller+gasket
7	1	STM8225	Relais 24V.	Relay 24V.
8	1	STM8756	Service kit compleet	Service kit cpl.

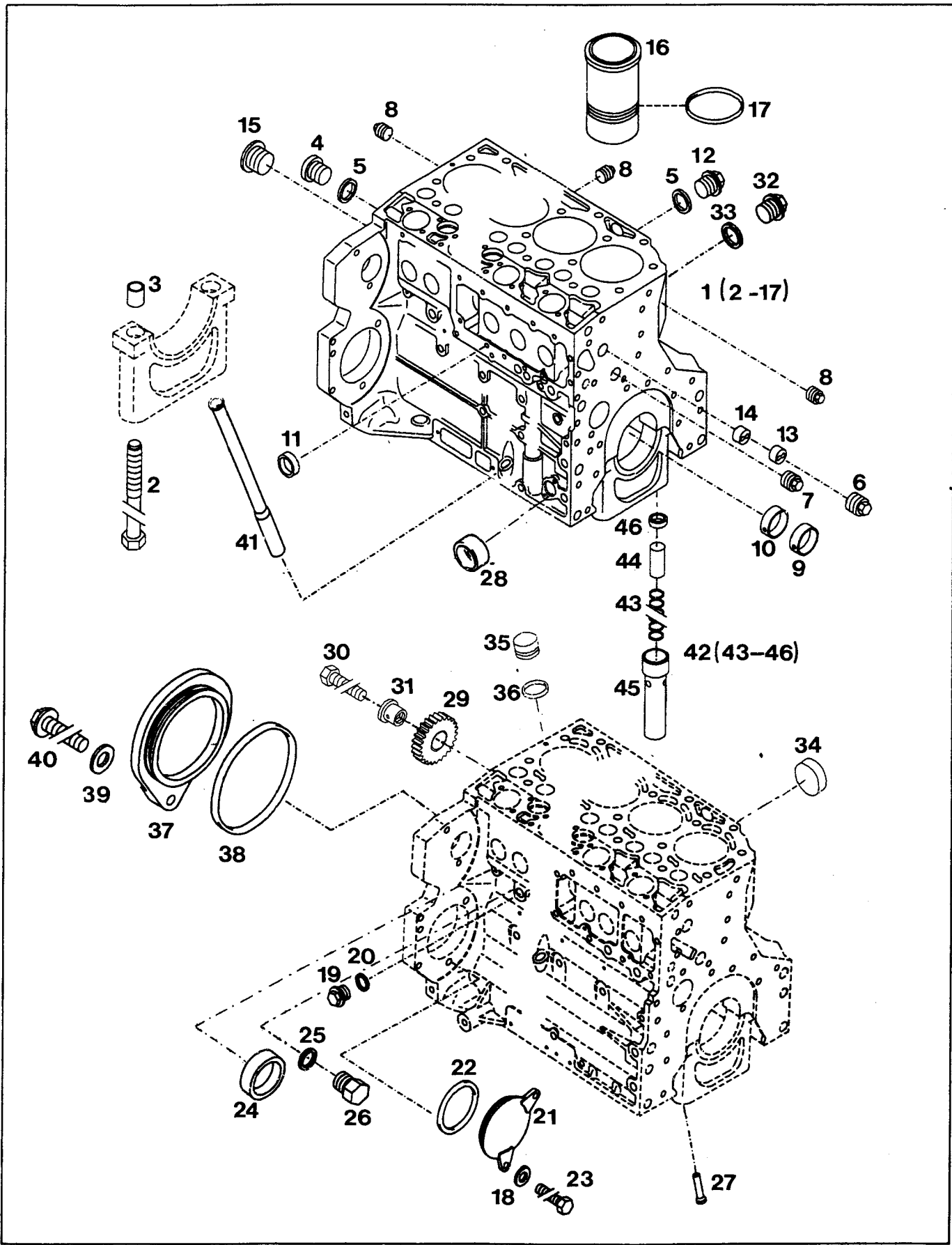
groep/ group	blz./ page	type	omschrijving/description	datum/date
1	2	DT67-DTA67	Service kit 24V. Service kit 24V.	5.11.97



groep/ group	blz./ page	type	omschrijving/description	datum/date
2	1	DT67	Cilinderblok Crankcase	10-7-97

pos.	qty	part	benaming	description
1	1	VD20001	Cilinderblok	Crankcase
2	14	VD20002	Bout	Hexagon set screw
3	14	VD20003	Bus	Dowel bush
4	1	VD20004	Plug M14x1,5	Screw plug M14x1.5
5	2	VD20005	Afdichtring	Sealing ring
6	1	VD20006	Plug M30x1,5	Screw plug M30x1.5
7	1	VD20007	Plug M22x1,5	Screw plug M22x1.5
8	3	VD20008	Plug M14x1,5	Screw plug M14x1.5
9	6	VD20048	Lagerbus	Bearing bush
10	1	VD20049	Lagerbus	Bearing bush
11	10	VD20010	Plug	Core hole plug
12	1	VD20012	Plug M14x1,5	Screw plug M14x1.5
13	1	VD20013	Geleidebus	Guide sleeve
14	1	VD20018	Geleidebus	Guide sleeve
15	1	VD20019	Plug	Slotted plug
16	6	VD20050	Cilinderbus	Cylinder liner
17	12	VD20051	O-ring	O-seal
18	2	VD20033	Ring	Plain washer
19	1	VD20012	Plug	Screw plug
20	1	VD20272	Afdichtring	Sealing ring
21	1	VD20036	Deksel	Cover
22	1	VD20037	O-ring	O-seal
23	2	VD20038	Bout M10x20	Bolt M10x20
24	1	VD20030	Plug	Core hole plug
25	2	VD20031	Afdichtring	Sealing ring
26	2	VD20032	Plug	Screw plug
27	6	VD20041	Zuiger koeloliesproeier	Piston cool.nozzle
28	1	VD20114	Plug	Core hole plug
29	1	VD60098	Tandwiel	Toothed gear
30	1	VD60099	Bout M8x35	Bolt M8x35
31	1	VD60100	Bus	Bush
32	1	VD20449	Plug M14x1,5	Screw plug M14x1.5
33	1	VD20272	Afdichtring	Sealing ring
34	1	VD20040	Plug	Core hole plug
35	1	VD20463	Plug	Plug
36	1	VD40042	O-ring	O-seal
37	1	VD20466	Deksel	Cover
38	1	VD30026	O-ring	O-seal
39	1	VD20467	Ring	Plain washer
40	1	VD20211	Bout M8x25	Bolt M8x25
41	1	VD20344	Geleidingspijp	Guide tube
42	1	VD20321	Drukventiel	Pressurestat
43	1	VD20020	Drukveer	Compression spring
44	1	VD20322	Plunjer	Valve plunger
45	1	VD20398	Bus	Sleeve
46	1	VD20323	Ring	Ring

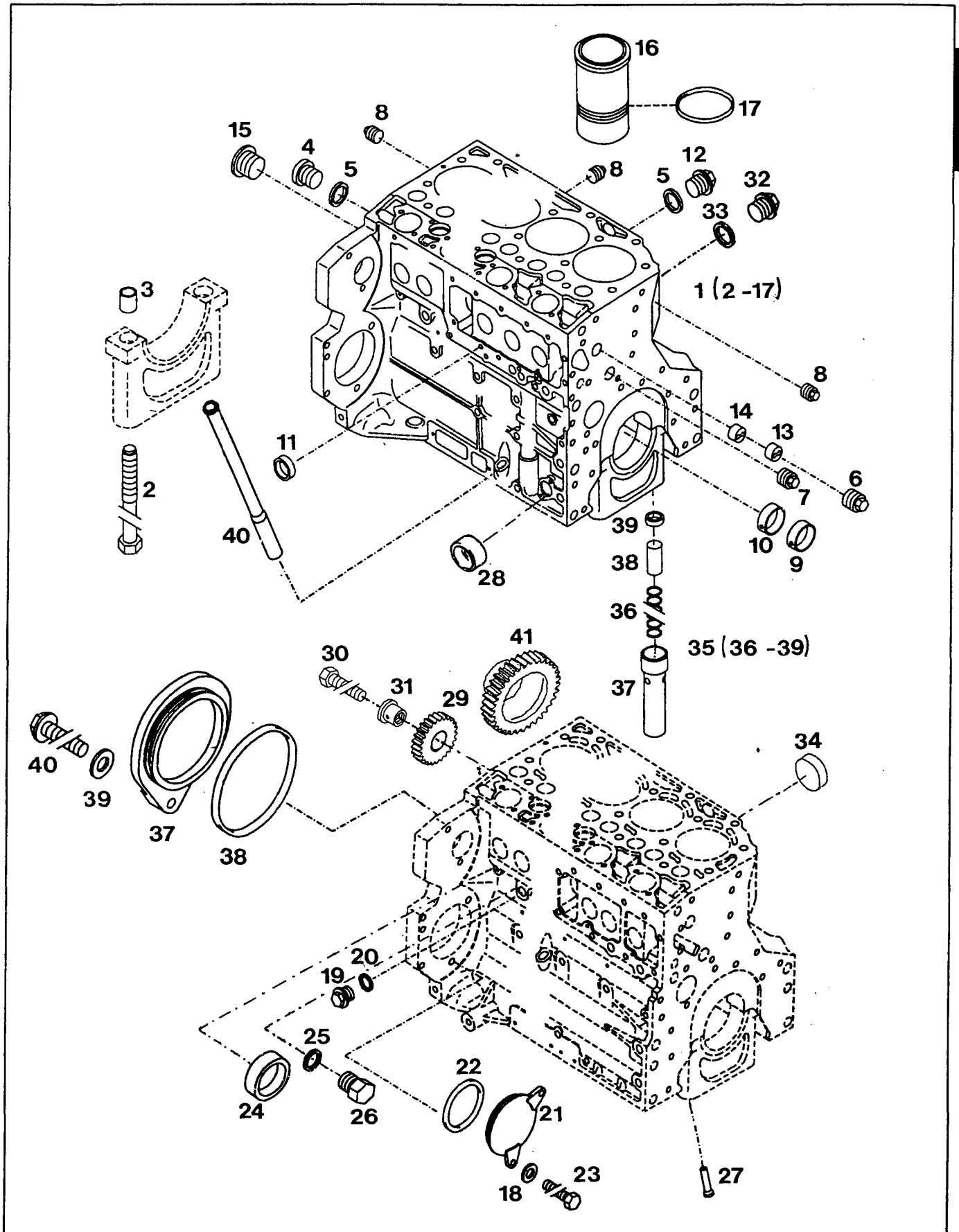
groep/ group	blz./ page	type	omschrijving/description	datum/date
2	1	DT67	Cilinderblok Crankcase	10.7.97



groep/ group	blz./ page	type	omschrijving/description	datum/date
2	2	DTA67	Cilinderblok Crankcase	10-7-97

pos.	qty	part	benaming	description
1	1	VD20001	Cilinderblok	Crankcase
2	14	VD20002	Bout	Hexagon set screw
3	14	VD20003	Bus	Dowel bush
4	1	VD20004	Plug M14x1,5	Screw plug M14x1.5
5	2	VD20005	Afdichtring	Sealing ring
6	1	VD20006	Plug M30x1,5	Screw plug M30x1.5
7	1	VD20007	Plug M22x1,5	Screw plug M22x1.5
8	3	VD20008	Plug M14x1,5	Screw plug M14x1.5
9	6	VD20048	Lagerbus	Bearing bush
10	1	VD20049	Lagerbus	Bearing bush
11	10	VD20010	Plug	Core hole plug
12	1	VD20012	Plug M14x1,5	Screw plug M14x1.5
13	1	VD20013	Geleidebus	Guide sleeve
14	1	VD20018	Geleidebus	Guide sleeve
15	1	VD20019	Plug	Slotted plug
16	6	VD20050	Cilinderbus	Cylinder liner
17	12	VD20051	O-ring	O-seal
18	2	VD20033	Ring	Plain washer
19	1	VD20012	Plug	Screw plug
20	1	VD20035	Afdichtring	Sealing ring
21	1	VD20036	Deksel	Cover
22	1	VD20037	O-ring	O-seal
23	2	VD20038	Bout M10x20	Bolt M10x20
24	1	VD20030	Plug	Core hole plug
25	2	VD20031	Afdichtring	Sealing ring
26	2	VD20032	Plug	Screw plug
27	6	VD20041	Zuiger koeloliesproeier	Piston cool.nozzle
28	1	VD20114	Plug	Core hole plug
29	1	VD60098	Tandwiel	Toothed gear
30	1	VD60099	Bout M8x35	Bolt M8x35
31	1	VD60100	Bus	Bush
32	1	VD20449	Plug M14x1,5	Screw plug M14x1.5
33	1	VD20272	Afdichtring	Sealing ring
34	1	VD20040	Plug	Core hole plug
35	1	VD20321	Drukventiel	Pressurestat
36	1	VD20020	Drukveer	Compression spring
37	1	VD20322	Plunjer	Valve plunger
38	1	VD20398	Bus	Sleeve
39	1	VD20323	Ring	Ring
40	1	VD20344	Geleidingspijp	Guide tube
41	1	VD30017	Tandwiel	Toothed gear

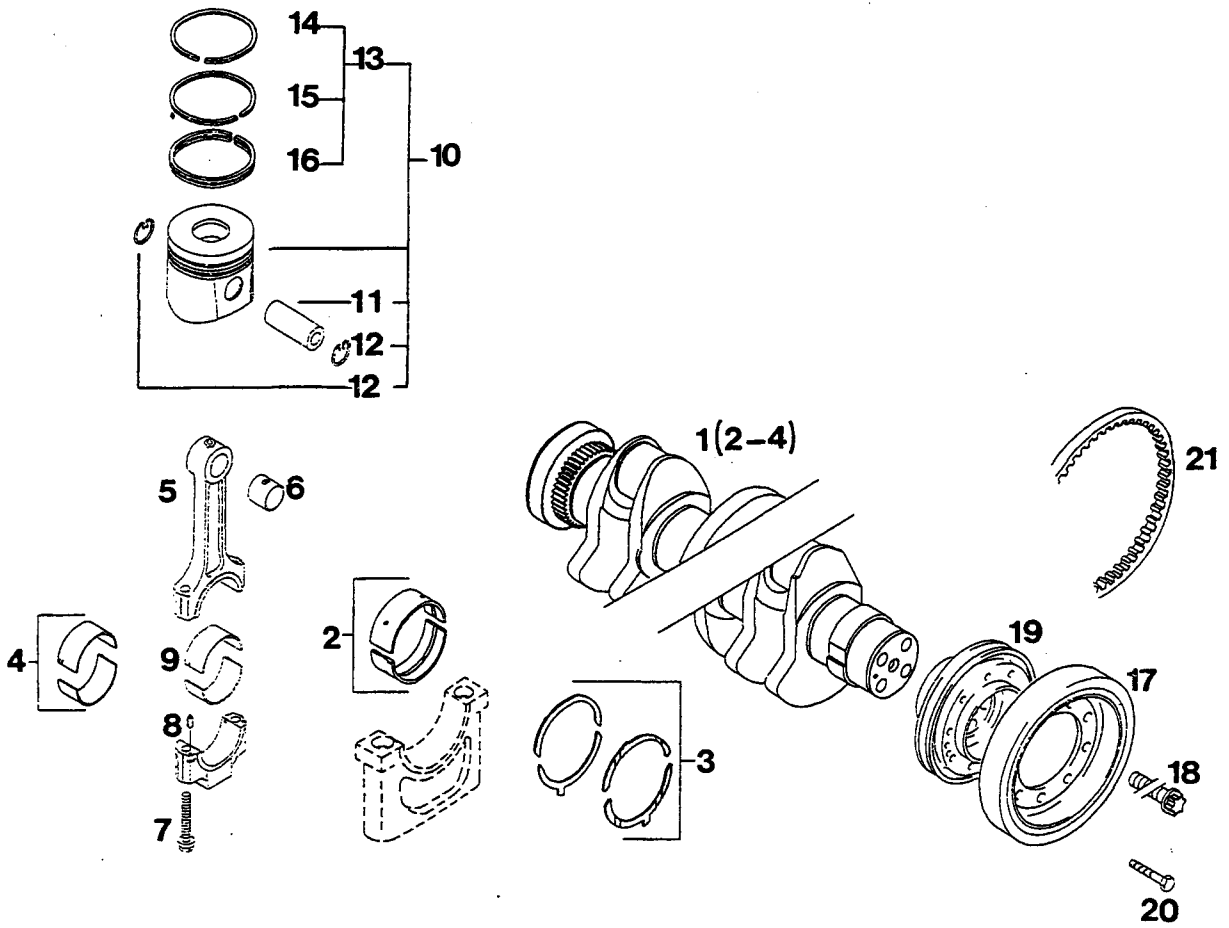
groep/ group	blz./ page	type	omschrijving/description	datum/date
2	2	DTA67	Cilinderblok Crankcase	10.7.97



groep/ group 2	blz./ page 3	type DT67 DTA67	omschrijving/description Krukas Crankshaft	datum/date 4.7.97
----------------------	--------------------	-----------------------	--	----------------------

pos.	qty	part	benaming	description
1	1	VD20358	Krukas	Crankshaft
2	5	VD20359	Hoofdlager standaard A 85.00 ondermaat B 953	Main bearing standard A 85.00 for undersize see item B 953
3	1	VD20360	Stopring standaard A 2.9 overmaat B 954	Thrust washer standard A 2.9 for oversize see item B 954
4	4	VD20361	Drijfstanlager std. A 86.00 ondermaat B 955	Big end bearing standard A 86.00 for undersize see item B 955
950	1	VD20362	Ruilkrukas vervangingsdeel A 1 compleet met B 952,953,954	Exchange crankshaft rebuilt part item A 1 comp. with item B 952,953,954
952	5	VD20363	Hoofdlager 1ste ondermaat 84,75 mm RD	Main bearing 1st undersize 84.75 mm RD
953	1	VD20364	Stopring 1ste bovenmaat 3,1 mm	Thrust washer 1st oversize 3.1 mm
962	4	VD20365	Drijfstanlager 1ste ondermaat 67,75 RD	Big end bearing 1st undersize 67.75 RD
963	5	VD20366	Hoofdlager 2de ondermaat 84,5 mm	Main bearing 2nd undersize 84.5 mm
964	4	VD20367	Drijfstanlager 2de ondermaat 67,50 mm	Big end bearing 2nd undersize 67.50 mm
5	1	VD20370	Drijfstang	Connectiong rod
6	1	VD20371	Bus	Big end bus
7	2	VD20372	Bout	Big end bolt
8	2	VD20057	Pin	Straight pin
9	1	VD20361	Drijfstanlager	Big end bearing
10	1	VD20470	Zuiger	Piston
11	1	VD20374	Zuigerpen	Piston pin
12	2	VD20375	Borgveer	Snap ring
13	1	VD20376	Zuigerringen	Set pist. ring
14	1	VD20377	Trapezoïde ring	Trapezoidal ring
15	1	VD20378	Afdichtveer	Trap-faced ring
16	1	VD20379	Olieschraapveer	Oil scraper spring
17	1	VD20068	Demper	Vibration damper
18	4	VD20069	Bout M16x1,5x80	Torx-head bolt M16x1.5x80
19	1	VD30022	V-snaar schijf	V-grooved pulley
		VD20469	V-snaar schijf DTA67	V-grooved pulley DTA67
		VD20369	V-snaar schijf DT67	V-grooved-pulley DT67
20	9	VD20073	Bout	Hexagon bolt
21	1	STM8779	V-snaar	Narrow v-belt

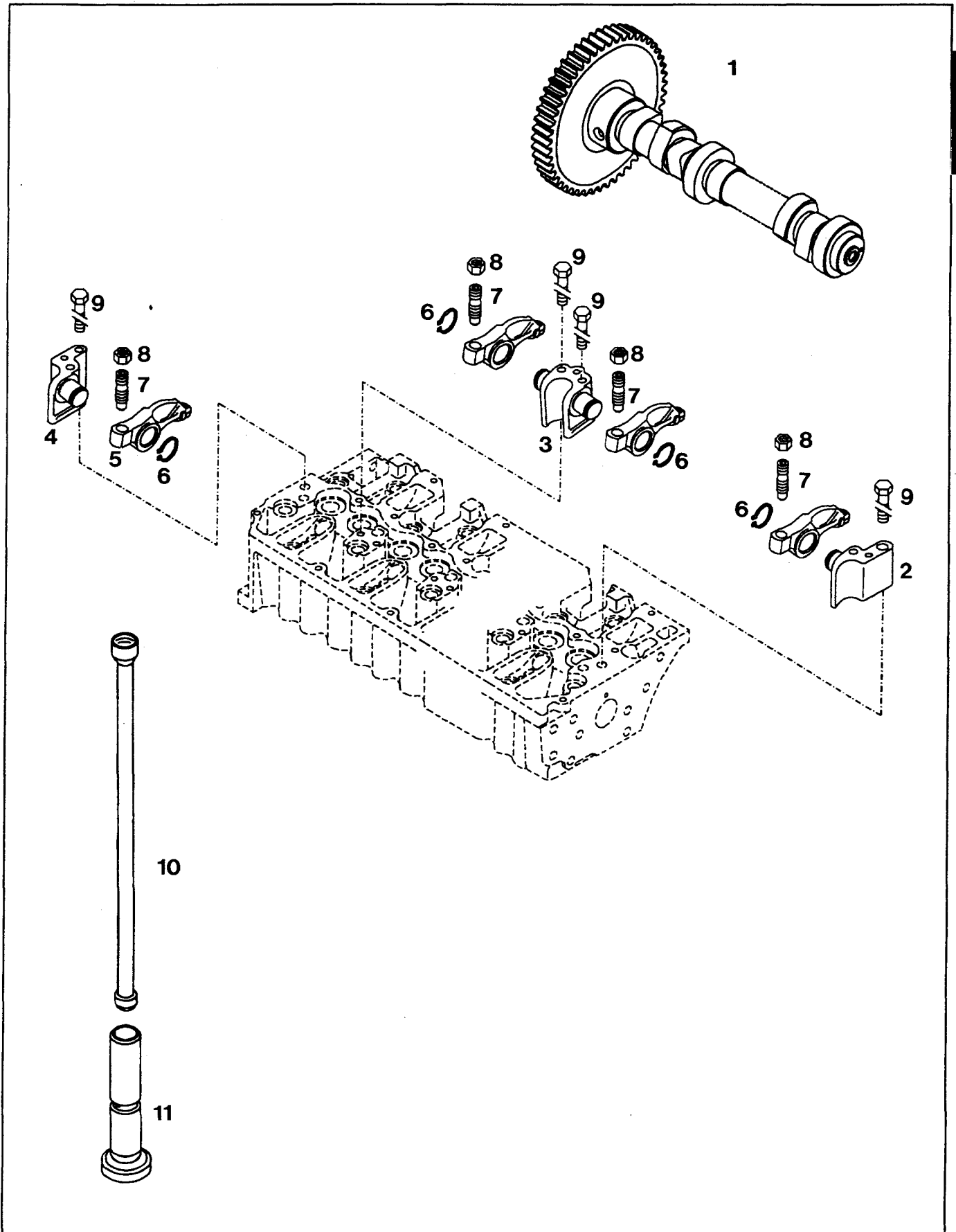
groep/ group	biz./ page	type	omschrijving/description	datum/date
2	3	DT67 DTA67	Krukas Crankshaft	4.7.97



groep/ group	blz./ page	type	omschrijving/description	datum/date
2	4	DT67 DTA67	Nokkenas Camshaft	4.7.97

pos.	qty	part	benaming	description
1	1	VD20405	Nokkenas DT67	Camshaft DT67
	1	VD20473	Nokkenas DTA67	Camshaft DTA67
2	1	VD20406	Steun tuimelaar	Rocker arm bracket
3	3	VD20407	Steun tuimelaar	Rocker arm bracket
4	1	VD20408	Steun tuimelaar	Rocker arm bracket
5	8	VD20409	Tuimelaar	Rocker arm
6	8	VD20410	Veerring	Circlip
7	8	VD20411	Stelschroef	Adjusting screw
8	8	VD20082	Moer	Hexagon nut
9	5	VD20412	Bout M8x75	Torx-head bolt M8x75
10	2	VD20413	Stoterstang	Pushrod
11	2	VD20414	Klepstoter DT67	Tappet DT67
	2	VD20474	Klepstoter DTA67	Tappet DTA67

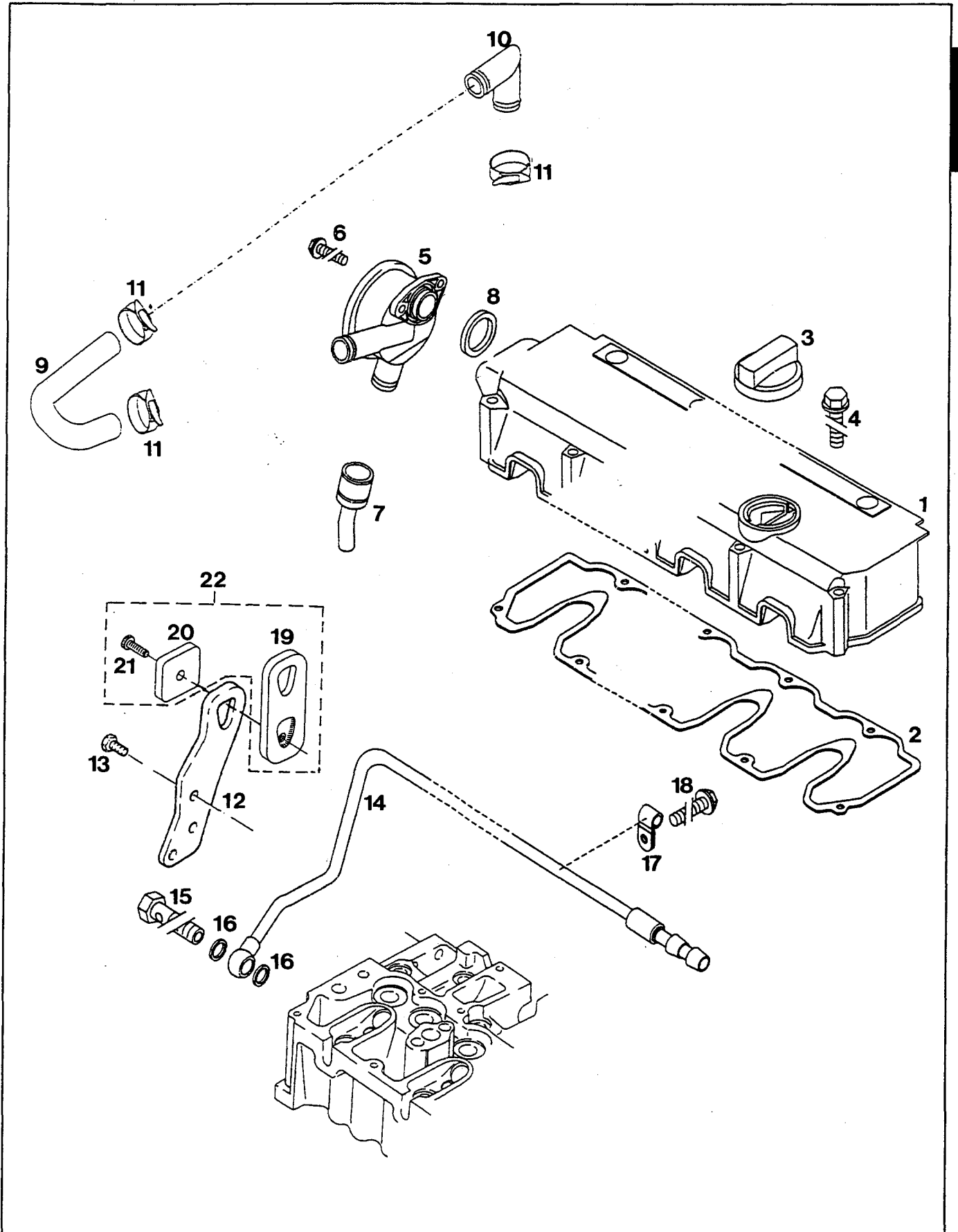
groep/ group	blz./ page	type	omschrijving/description	datum/date
2	4	DT67 DTA67	Nokkenas Camshaft	4.7.97



groep/ group	blz./ page	type	omschrijving/description	datum/date
2	5	DT67 DTA67	Kleppendeksel+Carterventilatie Mechanical valve cover	1.12.97

pos.	qty	part	benaming	description
1	1	VD20395	Kleppendeksel	Valve mechan. cover
2	1	VD20396	Pakking	Gasket
3	1	VD20089	Vuldop	Fillercap
4	9	VD20397	Bout M6x95	Hexagon bolt M6x95
5	1	VD20352	Drukventiel	Pressure regulator
6	2	VD20491	Bout M6x20	Hexagon bolt M6x20
7	1	VD20093	Rubberslang	Rubber sleeve
8	1	VD20490	Pakking	Gasket
9	1	VD20101	Slang	Hose
10	1	VD20304	Bocht	Elbow
11	3	VD20095	Slangklem	Spring band clamp
12	1	VD20104	Hijsoog	Suspensing plate
13	3	VD20105	Bout M10x22	Hexagon bolt M10x22
14	1	VD20445	Ontluchttingsleiding	Pipeline
15	1	VD20106	Banjo bout	Hollow screw
16	2	VD20031	Afdichtring	Sealing ring
17	2	VD20108	Pijpklem	Pipe clamp
18	2	VD20109	Bout M6x12	Hexagon bolt M6x12
19	1	STM8428	Hijsoog	Suspensing plate
20	1	STM8429	Borgplaat	Safetyplate
21	1	STM5027	Inbusbout M10x20	Allen screw M10x20
22	1	STM8427	Hijsoog compleet	Suspensing plate cpl.

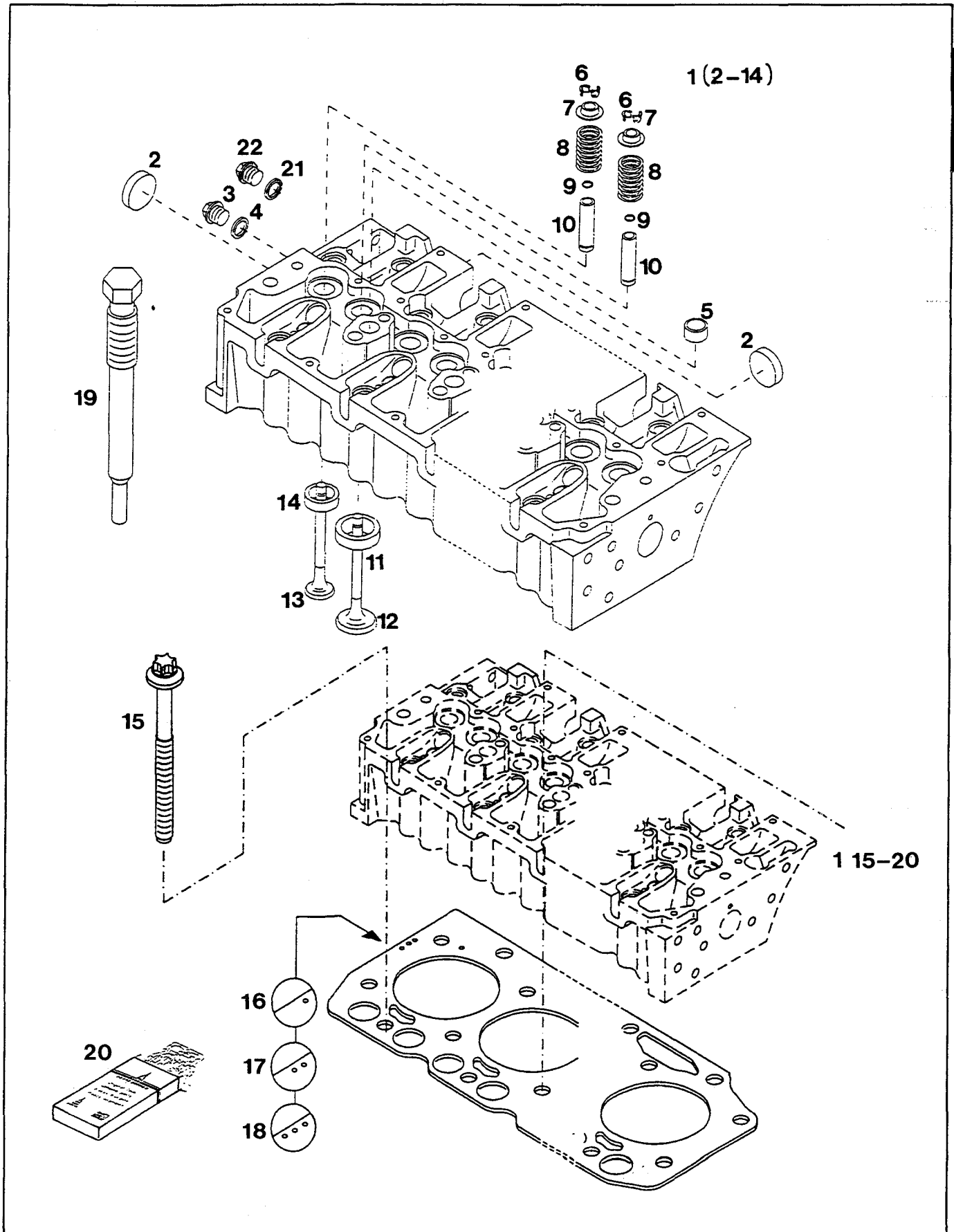
groep/ group	blz./ page	type	omschrijving/description	datum/date
2	5	DT67 DTA67	Kleppendeksel+Carterventilatie Mechanical valve cover	4.7.97



groep/ group	blz./ page	type	omschrijving/description	datum/date
2	6	DT67 DTA67	Cilinderkop Cylinder head	4.7.97

pos.	qty	part	benaming	description
1	1	VD20384	Cilinderkop DT67	Cylinder head DT67
	1	VD20471	Cilinderkop DTA67	Cylinder head DTA67
2	6	VD20385	Plug	Core hole plug
3	NB	VD20012	Plug M14x1	Screw plug M14x1
4	NB	VD20272	Afdichtring	Sealing ring
5	5	VD20117	Plug	Core hole plug
6	24	VD20386	Halve kegelspie	Valve collet
7	12	VD20387	Kegel	Spring cap
8	12	VD20388	Veer DT67	Compression spring DT67
	12	VD20472	Veer DTA67	Compression spring DTA67
9	12	VD20389	O-ring	O-seal
10	12	VD20390	Klepgeleider	Valve guide
11	6	VD20391	Klepzitting	Valve seat insert
12	6	VD20392	Inlaatklepzitting	Inlet valve
13	6	VD20393	Uitlaatklepzitting	Exhaust valve
14	6	VD20394	Klepzitting	Valve seat insert
15	26	VD20380	Cilinderkopschroef	Cylinder head bolt
16	NB	VD20381	Cilinderkoppakking	Cylinder head gasket
17	NB	VD20382	Cilinderkoppakking	Cylinder head gasket
18	NB	VD20383	Cilinderkoppakking	Cylinder head gasket
19	4	VD20136	Afdichtbout	Blanking parts
20	1	VD20477	Pakking set	Gasket set
21	2	VD20031	Afdichtring	Sealing ring
22	1	VD20115	Plug	Screw plug

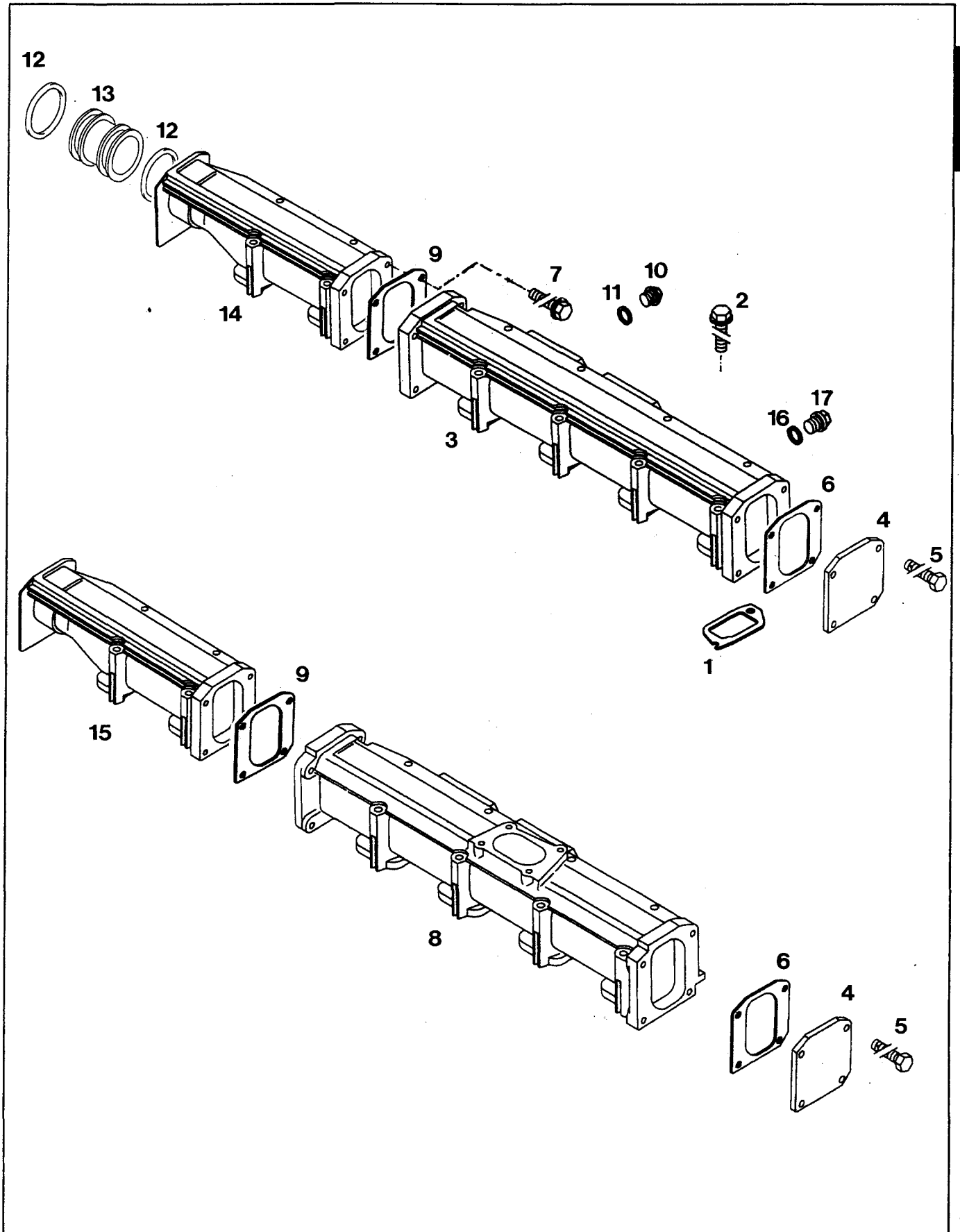
groep/ group	blz./ page	type	omschrijving/description	datum/date
2	6	DT67 DTA67	Cilinderkop Cylinder head	4.7.97



groep/ group	blz./ page	type	omschrijving/description	datum/date
2	7	DT67 DTA67	Luchtinlaatspruitstuk Air intake manifold	4.7.97

pos.	qty	part	benaming	description
1	6	VD20438	Pakking	Gasket
2	12	VD20439	Bout M6x95	Bolt M6X95
3	1	VD20442	luchtinlaatspruitstuk DT67	Air intake manifold DT67
4	1	VD20430	Deksel	Cover
5	4	VD20431	Bout M8x22	Bolt M8x22
6	1	VD20432	Pakking	Gasket
7	4	VD20441	Bout M6x30	Bolt M6x30
8	1	VD20483	Luchtinlaatspruitstuk DTA67	Air intake manifold DTA67
9	1	VD20440	Pakking	Gasket
10	1	VD20150	Plug M14x1,5	Screw plug M14x1.5
11	1	VD20272	Afdichtring	Sealing ring
12	2	VD20444	O-ring 51x6	O-seal 51x6
13	1	VD20443	Pijp	Pipe
14	1	VD20436	Luchtinlaatspruitstuk DT67	Air intake manifold DT67
15	1	VD20482	Luchtinlaatspruitstuk DTA67	Air intake manifold DTA67
16	1	VD20031	Afdichtring	Sealing ring
17	1	VD20115	Plug M10x1	Plug M10x1

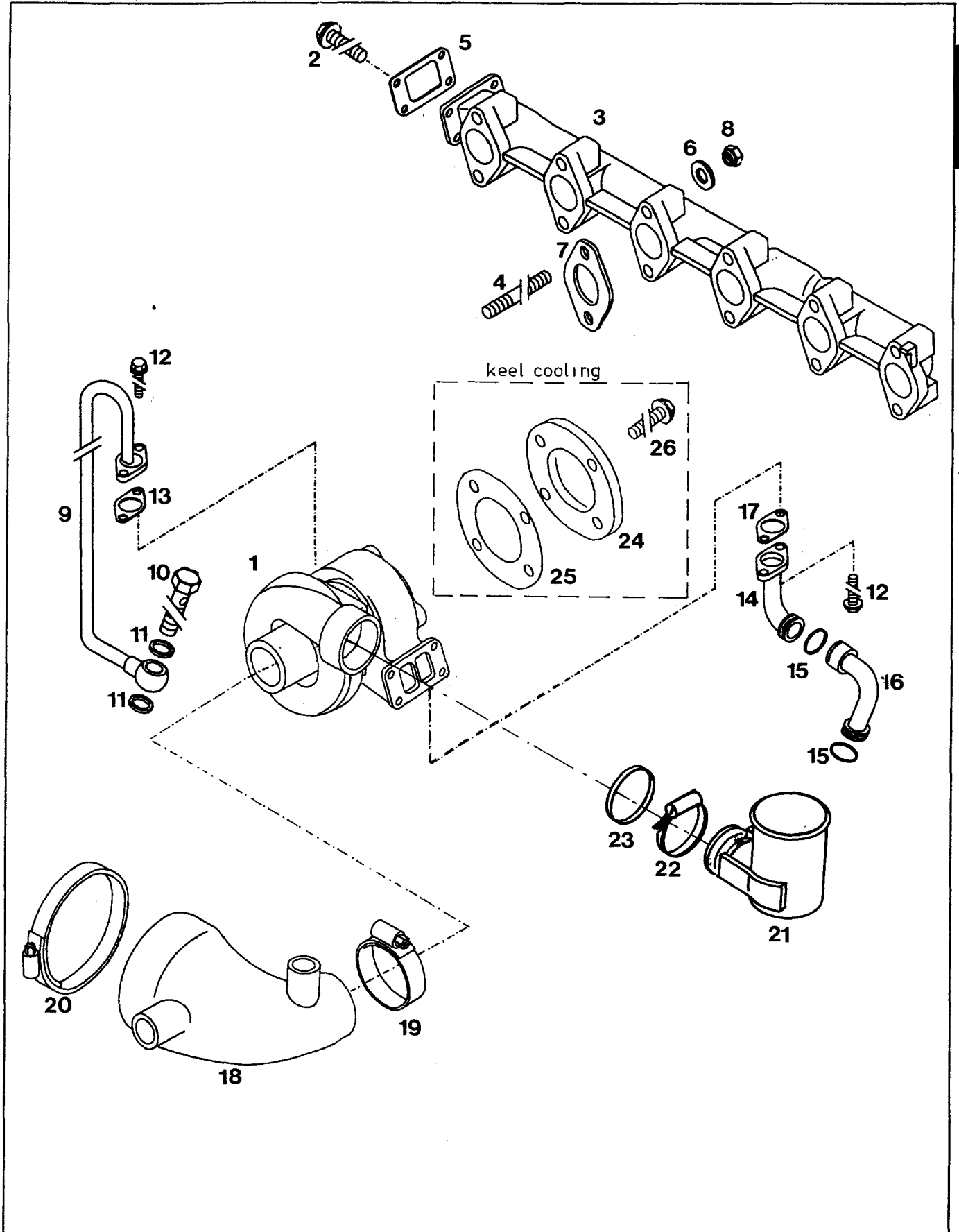
groep/ group	blz./ page	type	omschrijving/description	datum/date
2	7	DT67 DTA67	Luchtinlaatspruitstuk Air intake manifold	4.7.97



groep/ group	blz./ page	type	omschrijving/description	datum/date
2	8	DT67 DTA67	Turbocompres.+ uitlaatspruitst. Turbocharger + exh. manifold	6.10.97

pos.	qty	part	benaming	description
1	1	VD20450	Turbocompressor DT67	Turbocharger DT67
	1	VD20484	Turbocompressor DTA67	Turbocharger DTA67
2	4	VD20447	Bout	Bolt
3	1	VD20300	Uitlaatspruitstuk	Manifold
4	12	VD20160	Tapeind	Stud
5	1	VD20448	Pakking	Gasket
6	12	VD20163	Ring	Plain washer
7	6	VD20164	Pakking	Gasket
8	12	VD20165	Moer M8	Nut M8
9	1	VD20453	Aanvoerpijp	Feed line
10	1	VD20170	Banjobout	Hollow screw
11	2	VD20272	Afdichtring	Sealing ring
12	4	VD20186	Bout M8x20	Bolt M8x20
13	1	VD20192	Pakking	Gasket
14	1	VD20454	Retourpijp	Return line
15	2	VD20175	O-ring	O-seal
16	1	VD20455	Retourpijp	Return line
17	1	VD20185	Pakking	Gasket
18	1	VD20433	Luchtinlaatbocht	Manifold
19	1	VD20434	Slangklem	Hose clamp
20	1	VD20435	Slangklem	Hose clamp
21	1	VD20480	Bocht DTA67	Manifold DTA67
22	1	VD20196	Slangklem DTA67	Hose clamp DTA67
23	1	VD20481	O-ring DTA67	O-seal DTA67
24	1	STM8206	Flens DT67	Flange DT67
25	1	STM8743	Pakking DT67	Gasket DT67
26	4	STM8742	Bout M10x30 DT67	Bolt M10x30 DT67

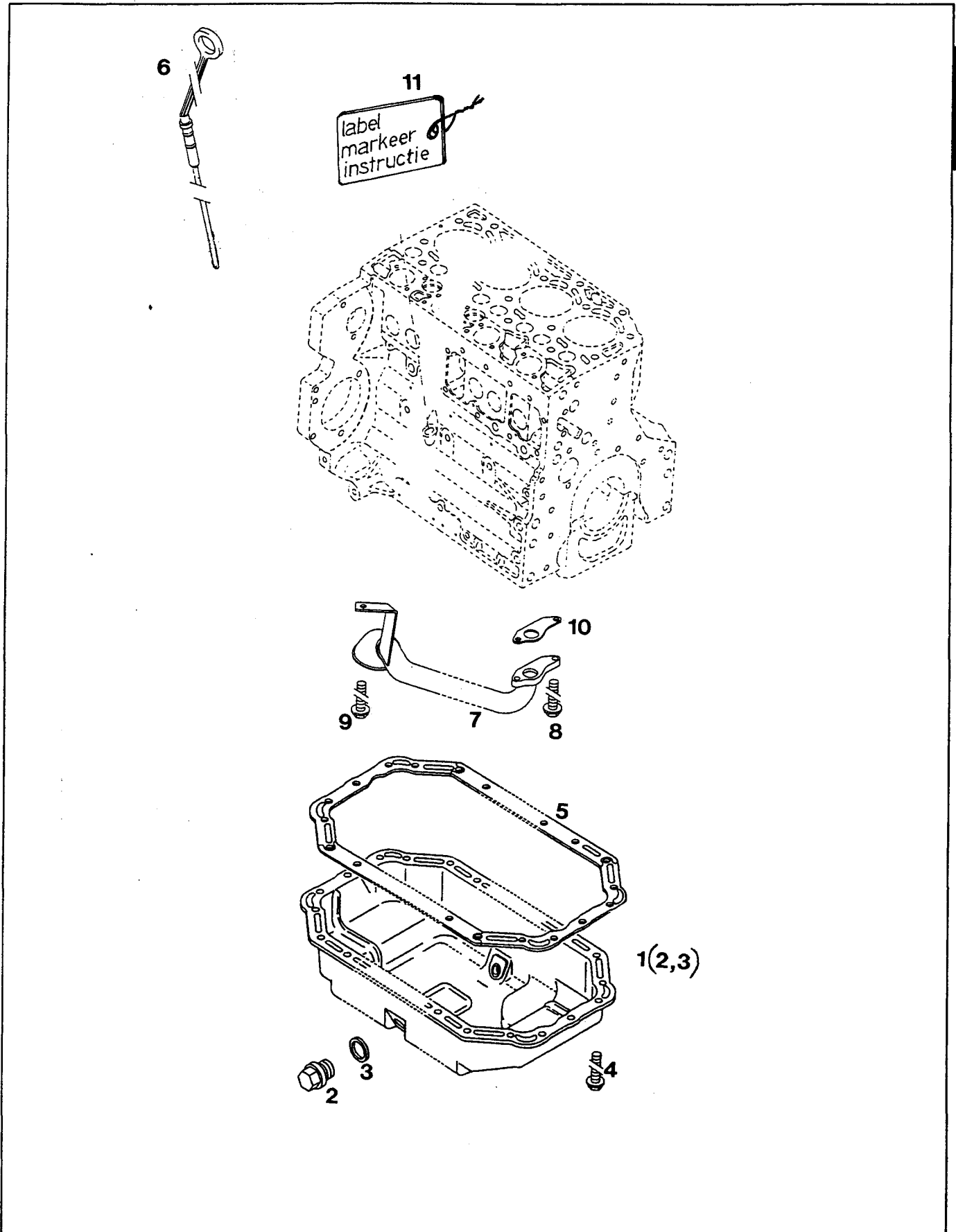
groep/ group	blz./ page	type	omschrijving/description	datum/date
2	8	DT67 DTA67	Turbocompres.+ uitlaatspruitst. Turbocharger + exh. manifold	4.7.97



groep/ group	blz./ page	type	omschrijving/description	datum/date
2	9	DT67 DTA67	Carterpan Oil sump	4.7.97

pos.	qty	part	benaming	description
1	1	VD20492	Carterpan	Oil sump
2	2	VD20276	Plug M18x1,5	Screw plug M18x1.5
3	2	VD20200	Afdichtring	Sealing ring
4	27	VD20493	Bout M18x24	Bolt M18x24
5	1	VD20494	Pakking	Gasket
6	1	STM8316	Peilstok niet gemarkeerd	Dipstick not marked
7	1	VD20429	Aanzuigpijp	Oil suction pipe
8	2	VD20402	Bout M8x55	Bolt M8x55
9	10	VD20210	Bout M8x25	Bolt M8x25
10	1	VD20212	Pakking	Gasket
11	1	STM8317	Label markeer instructie	Label mark instructions

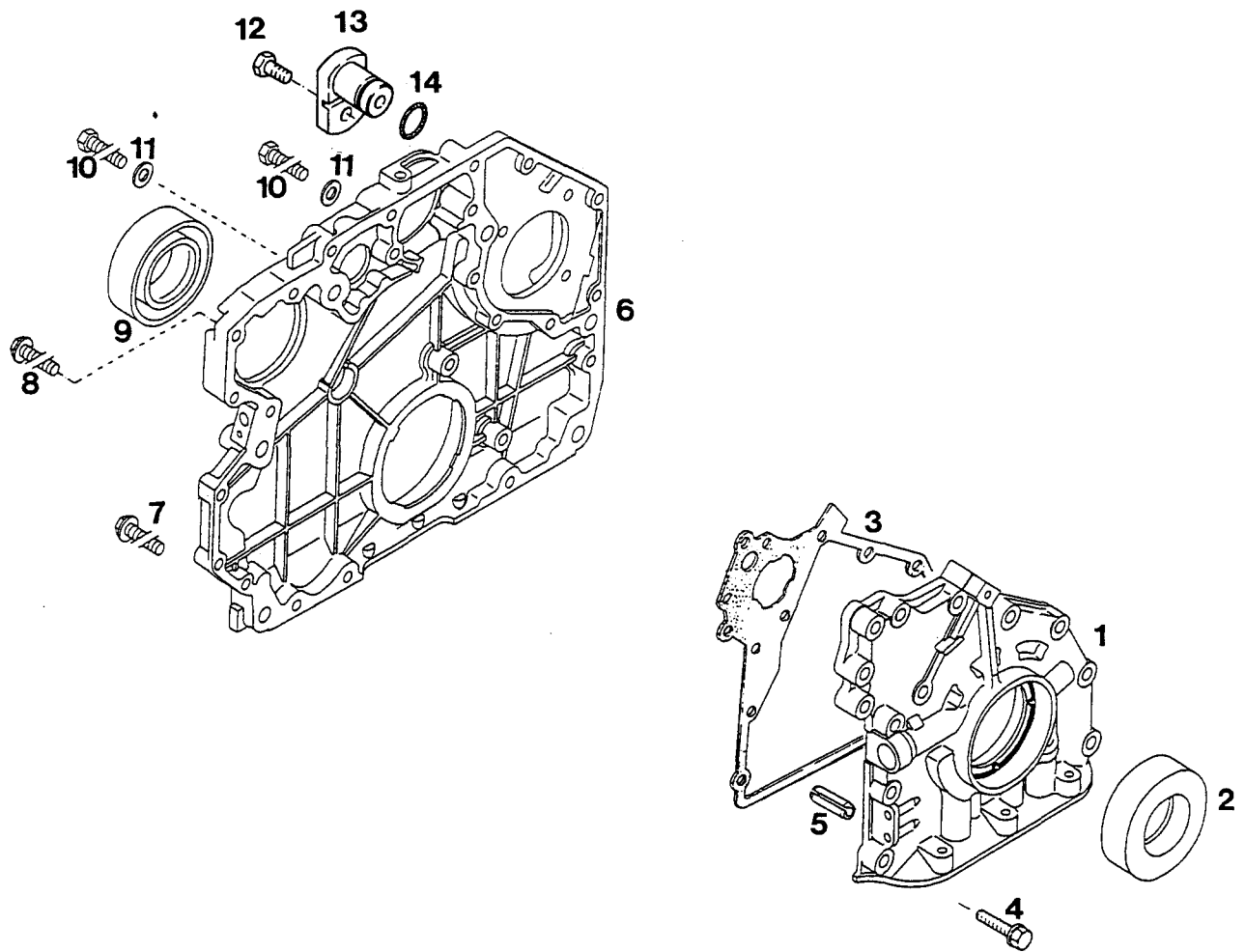
groep/ group	blz./ page	type	omschrijving/description	datum/date
2	9	DT67 DTA67	Carterpan Oil sump	4.7.97



groep/ group	blz./ page	type	omschrijving/description	datum/date
2	10	DT67 DTA67	Distributie/voordeksel Gearcase/front cover	4.7.97

pos.	qty	part	benaming	description
1	1	VD20468	Distributiedeksel DTA67	Front cover DTA67
	1	VD20342	Distributiedeksel DT67	Front cover DT67
2	1	VD20343	Keerring	Lip seal
3	1	VD20341	Pakking	Gasket
4	14	VD20218	Bout M8x35	Bolt M8x35
5	1	VD20219	Spanstift	Clamping pin
6	1	VD20400	Achterdeksel	Gearcase
7	12	VD20401	Bout M8x35	Bolt M8x35
8	4	VD20402	Bout M8x55	Bolt M8x55
9	1	VD20403	Keerring	Lip seal
10	2	VD20224	Bout M16x60	Bolt M16x60
11	2	VD20404	Ring M16	Plain washer M16
12	1	VD20460	Bout M6x12	Bolt M6x12
13	1	VD20461	Afsluitdeksel	Cover
14	1	VD20462	O-ring 12x2	O-seal 12x2

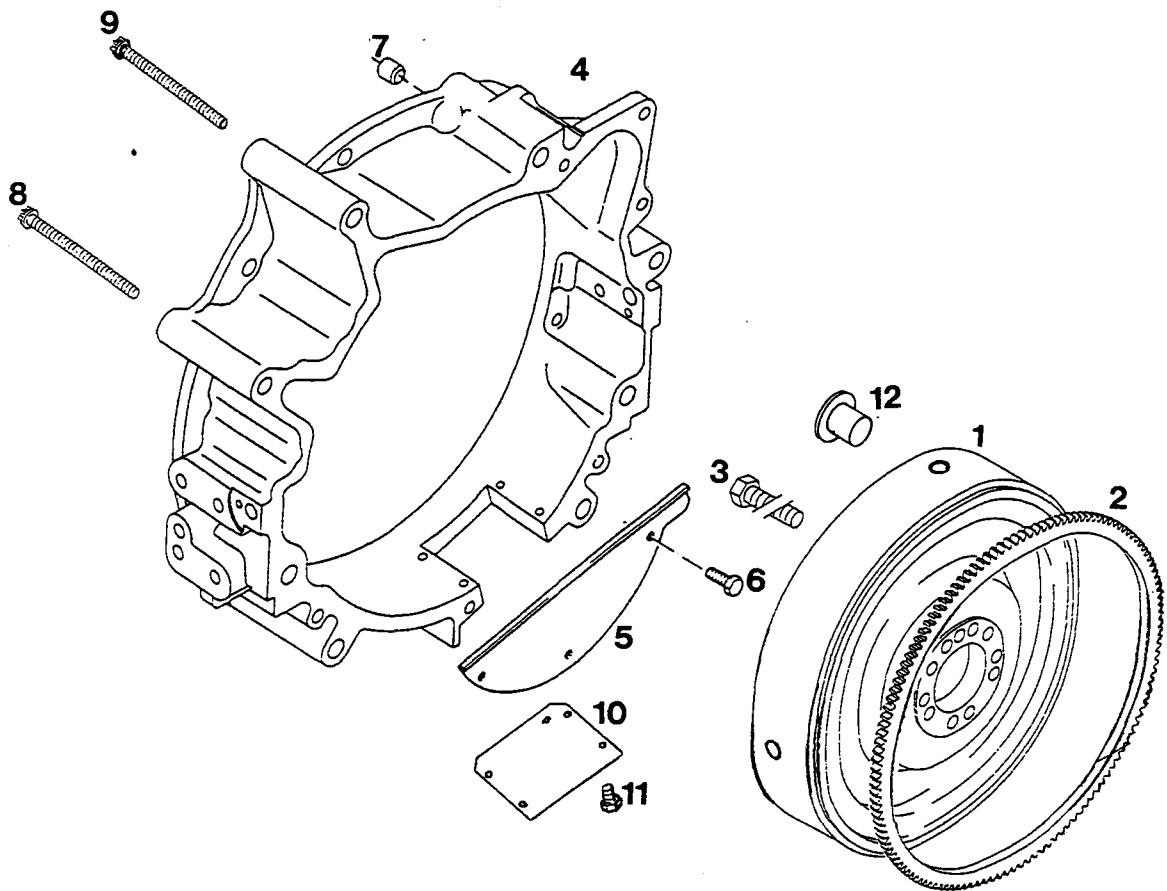
groep/ group	biz./ page	type	omschrijving/description	datum/date
2	10	DT67 DTA67	Distributie/voordekse Gearcase/front cover	4.7.97



groep/ group	biz./ page	type	omschrijving/description	datum/date
2	11	DT67 DTA67	Vliegwiel + vliegwielhuis Flywheel + flywheelhousing	3.1.00

pos.	qty	part	benaming	description
1	1	VD20228	Vliegwiel	Flywheel
	1	VD20657	Vliegwiel generator	Flywheel generator
2	1	VD20229	Starterkrans	Startergearring
3	10	VD20230	Bout	Bolt
4	1	VD20231	Vliegwielhuis SAE3	Flywheelhousing SAE3
	1	VD20656	Vliegwielhuis SAE2 generator	Flywheelhousing SAE2 generator
5	1	VD20232	Afdekplaat	Cover plate
6	3	VD20233	Bout M6x10	Bolt M6x10
7	2	VD20234	Bus	Bush
8	2	VD20697	Bout M12x160	Torx-head Bolt M12x160
9	4	VD20698	Bout M16x150	Torx-head Bolt M16x150
10	1	VD20237	Afdekplaat	Cover plate
11	4	VD20699	Bout M6x12	Bolt M6x12
12	5	VD20691	Plastic plug	Plastic plug

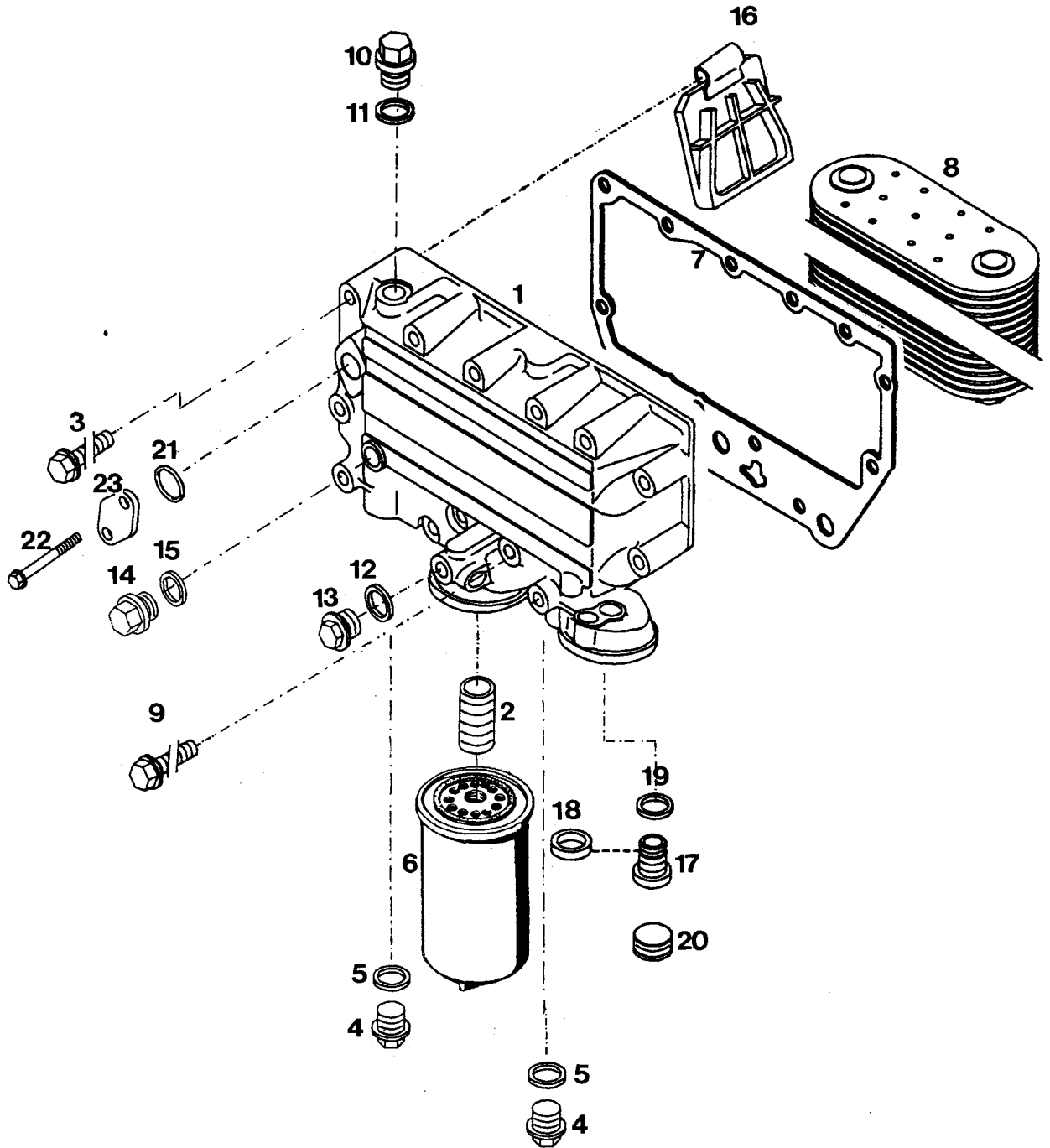
groep/ group	blz./ page	type	omschrijving/description	datum/date
2	11	DT67 DTA67	Vliegwiël + vliegwiëlhuis Flywheel + flywheelhousing	4.7.97



groep/ group	blz./ page	type	omschrijving/description	datum/date
2	12	DT67 DTA67	Oliekoelerhuis Oil cooler box	4.7.97

pos.	qty	part	benaming	description
1	1	VD20475	Oliekoeler DTA67	Oil cooler box DTA67
	1	VD20424	Oliekoeler DT67	Oil cooler box DT67
2	2	VD20243	Draadbus DTA67	Screwed bush DTA67
	2	VD20425	Draadbus DT67	Screwed bush DT67
3	12	VD20420	Bout M8x80	Bolt M8x80
4	2	VD20427	Plug M38x1,5	Screw plug M38x1.5
5	2	VD20428	Afdichtring	Sealing ring
6	1	VD20263	Oliefilter	Oil filter
7	1	VD20421	Pakking	Gasket
8	1	VD20476	Oliekoeler DTA67	Oil cooler DTA67
	1	VD20419	Oliekoeler DT67	Oil cooler DT67
9	2	VD20422	Bout M8x50	Bolt M8x50
10	2	VD20264	Plug M26x1,5	Screw plug M26x1.5
11	2	VD20265	Afdichtring	Sealing ring
12	1	VD20031	Ring	Plain washer
13	1	VD20426	Plug M10x1	Screw plug M10x1
14	1	VD20276	Plug M18x1,5	Screw plug M18x1.5
15	1	VD20277	Afdichtgring	Sealing ring
16	1	VD20423	Klep	Valve
17	1	VD20415	Plug	Collar screw
18	1	VD20416	Afdichtring	Sealing ring
19	1	VD20417	Afdichtring	Sealing ring
20	1	VD20418	Plug	Slotted plug
21	1	VD20464	O-ring 20x2,5	O-seal 20x1.5
22	2	VD20431	Bout M8x22	Bolt M8x22
23	1	VD20465	Flens	Blank flange

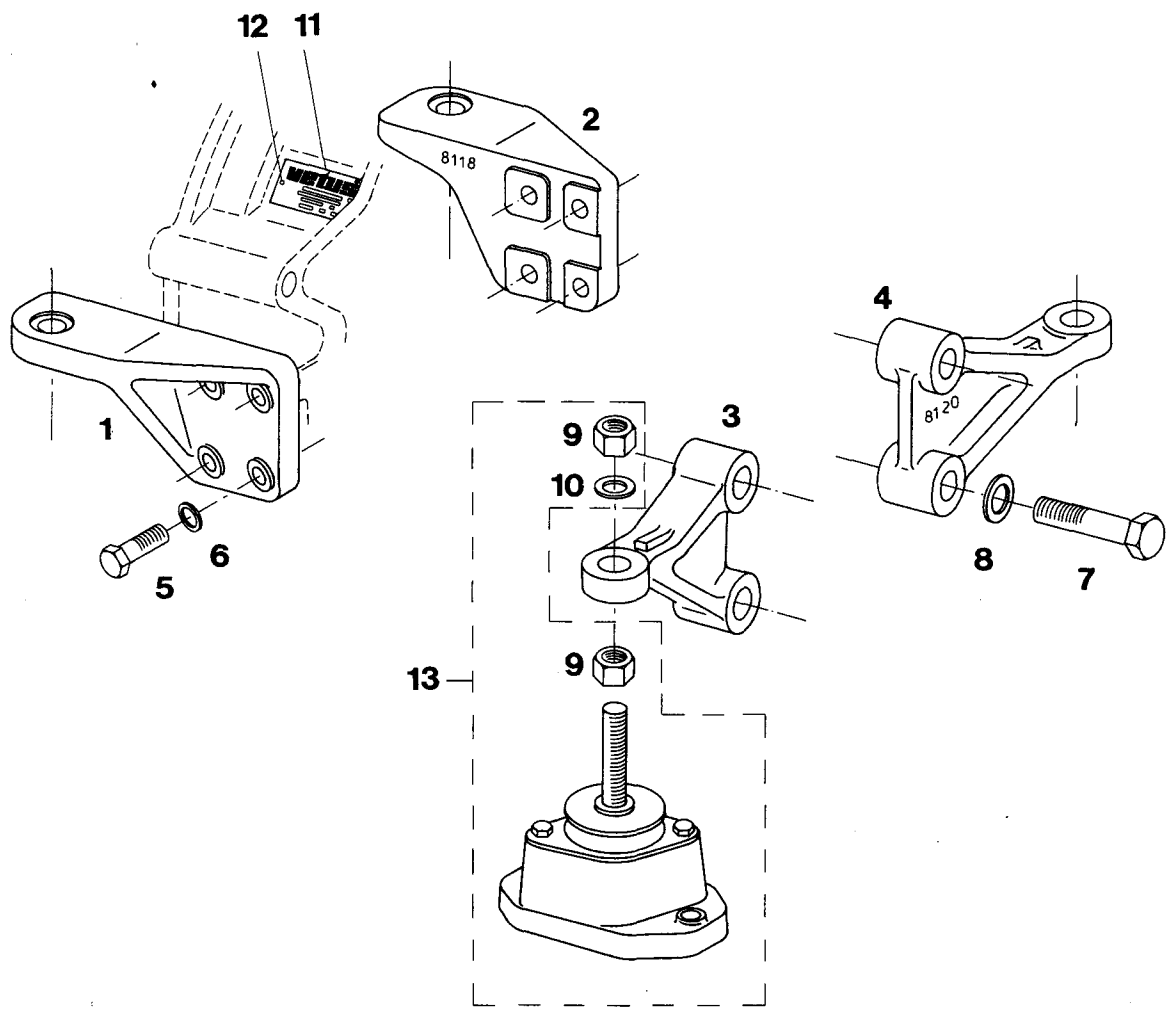
groep/ group	blz./ page	type	omschrijving/description	datum/date
2	12	DT67 DTA67	Oliekoelerhuis Oil cooler box	4.7.97



groep/ group	blz./ page	type	omschrijving/description	datum/date
2	13	DT67 DTA67	Motorsteunen Engine supports	9.12.97

pos.	qty	part	benaming	description
1	1	STM8117	Motorsteun SB	Engine support SB
2	1	STM8118	Motorsteun BB	Engine support PS
3	1	STM8119	Motorsteun SB	Engine support SB
4	1	STM8120	Motorsteun BB	Engine support PS
5	8	STM8121	Bout M12x40	Bolt M12x40
6	8	STM4003	Veerring M12	Spring washer M12
7	4	STM8127	Bout M16x75	Bolt M16x75
8	4	STM8128	Veerring M16	Spring washer M16
9	8	XY11	Moer M20	Nut M20
10	4	XY22	Ring M20	Washer M20
11	1	STM1054	Type plaatje	Model plate
12	2	STM3528	Kerfnagel 3x5 DIN1476	Grooved pin 3x5 DIN1476
13		LM220	Trillingdemper	Engine mount
		LM320	Trillingdemper	Engine mount
		LM460	Trillingdemper	Engine mount

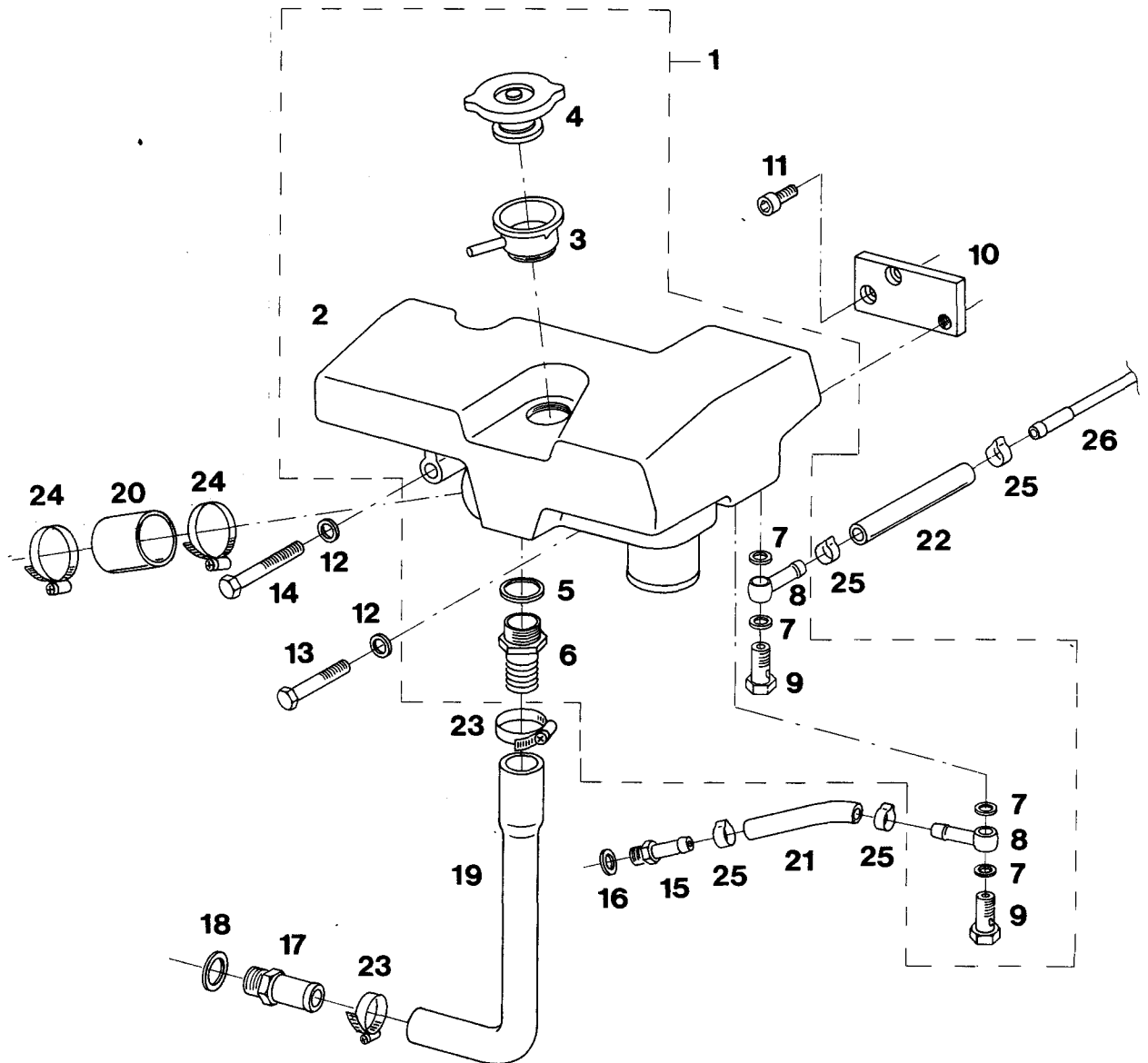
groep/ group	blz./ page	type	omschrijving/description	datum/date
2	13	DT67 DTA67	Motorsteunen Engine supports	28.5.96



groep/ group	blz./ page	type	omschrijving/description	datum/date
3	1	DT67 DTA67	Expansietank Expansiontank	13.1.98

pos.	qty	part	benaming	description
1	1	STM8351	Expansietank cpl.	Expansiontank cpl.
2	1	STM8352	Expansietank	Expansiontank
3	1	STM1515	Vulnek	Filler neck
4	1	STM8122	Vul/drukdot 1,5 bar	Filler/pressure cap 1.5 bar
5	1	STM8176	Afdichtring G1	Sealing washer G1
6	1	STM3037	Slangpilaar G1-25	Hose pillar G1-25
7	4	STM2018	Afdichtring M10	Sealing washer M10
8	2	STM8198	Banjo oog	Banjo eye
9	2	STM8123	Banjo bout M10x1,5-φ1,5	Banjo bolt M10x1.5-φ1.5
10	1	STM8108	Steun	Support
11	2	STM5027	Inbusbout M10x20	Socket screw M10x20
12	2	STM2022	Gegolfde veerring M10	Wave spring washer M10
13	1	CT30029	Bout M10x60	Bolt M10x60
14	1	STM8111	Bout M10x80	Bolt M10x80
15	1	STM8162	Slangpilaar M10x1-8	Hose pillar M10x1-8
16	1	STM2018	Afdichtring M10	Sealing washer M10
17	1	VD30002	Slangpilaar M16x1,5-22	Hose pillar M16x1.5-22
18	1	VD30003	Afdichtring M16	Spring washer M16
19	1	STM8151	Slang expansietank-circulatiepomp	Hose expansiontank-circulation pump
20	1	STM8154	Slang expansietank-thermostaathuis	Hose expansion tank-thermostat housing
21	1	STM8160	Slang φ8 l=0,22mtr. ontluchting cil.kop	Hose φ8 l=0.22mtr. degassing cyl.head front side
22	1	STM8160	Slang φ8 l=0,22mtr. ontluchting cil.kop	Hose φ8 l=0.22mtr. degassing cyl.head front side
23	2	STM6116	Slangklem 26-38	Hose clamp 26-38
24	2	STM3006	Slangklem 50-65	Hose clamp 50-65
25	4	STM6185	Slangklem	Hose clamp
26	1	STM8363	Leiding DT67-DTA67	Tube DT67-DTA67

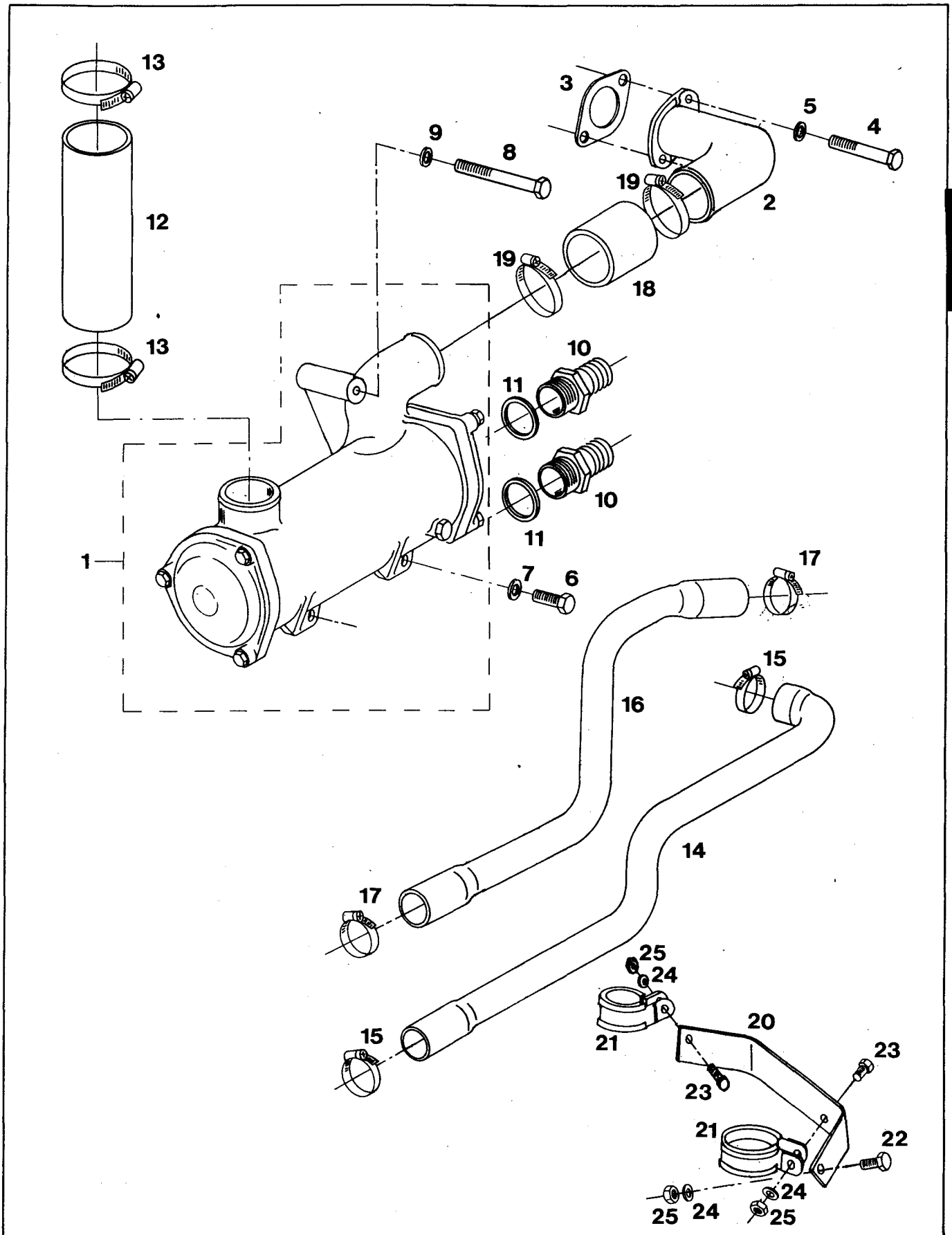
groep/ group	blz./ page	type	omschrijving/description	datum/date
3	1	DT67 DTA67	Expansietank Expansiontank	3.10.95



groep/ group	blz./ page	type	omschrijving/description	datum/date
3	2	DT67 DTA67	Warmtewisselaar Heatexchanger	3.10.95

pos.	qty	part	benaming	description
1	1	STM8349	Warmtewisselaar DT67-DTA67	Heatexchanger DT67-DTA67
2	1	STM8350	Bocht	Elbow
3	1	STM8348	Pakking	Gasket
4	2	STM1610	Bout M8x25	Bolt M8x25
5	2	STM1019	Gegolfde veerring M8	Wave spring washer M8
6	2	STM1610	Bout M8x25	Bolt M8x25
7	2	STM1019	Gegolfde veerring M8	Wave spring washer M8
8	1	STM6121	Bout M8x110	Bolt M8x110
9	1	STM1019	Gegolfde veerring M8	Wave spring washer M8
10	2	STM8115	Slangpilaar G1 ¹ / ₄ -32	Hose pillar G1 ¹ / ₄ -32
11	2	STM8112	Afdichtring G1 ¹ / ₄	Seal washer G1 ¹ / ₄
12	1	STM8380	Slang DT67-DTA67	Hose DT67-DTA67
13	2	STM3006	warmtewisselaar-expansietank	heatexchanger-expansiontank
14	1	STM8377	Slangklem 50-65	Hose clamp 50-65
15	2	STM3006	Slang DT67	Hose DT67
16	1	STM8378	oliekoeler-warmtewisselaar	oilcooler-heatexchanger
17	2	STM3006	Slangklem 50-65	Hose clamp 50-65
18	1	STM8379	Slang	Hose
19	2	STM3006	bocht-warmtewisselaar	elbow-heatexchanger
20	1	STM8393	Slangklem	Hose clamp
21	2	STM3061	Beugel	Support
22	1	STM1651	Klem RSGU1.35/20W1	Clamp RSGU1.35/20W1
23	2	STM4055	Bout M8x35	Bolt M8x35
24	3	STM1056	Bout M8x16	Bolt M8x16
25	3	STM2005	Veerring M8	Spring washer M8
			Moer M8	Nut M8

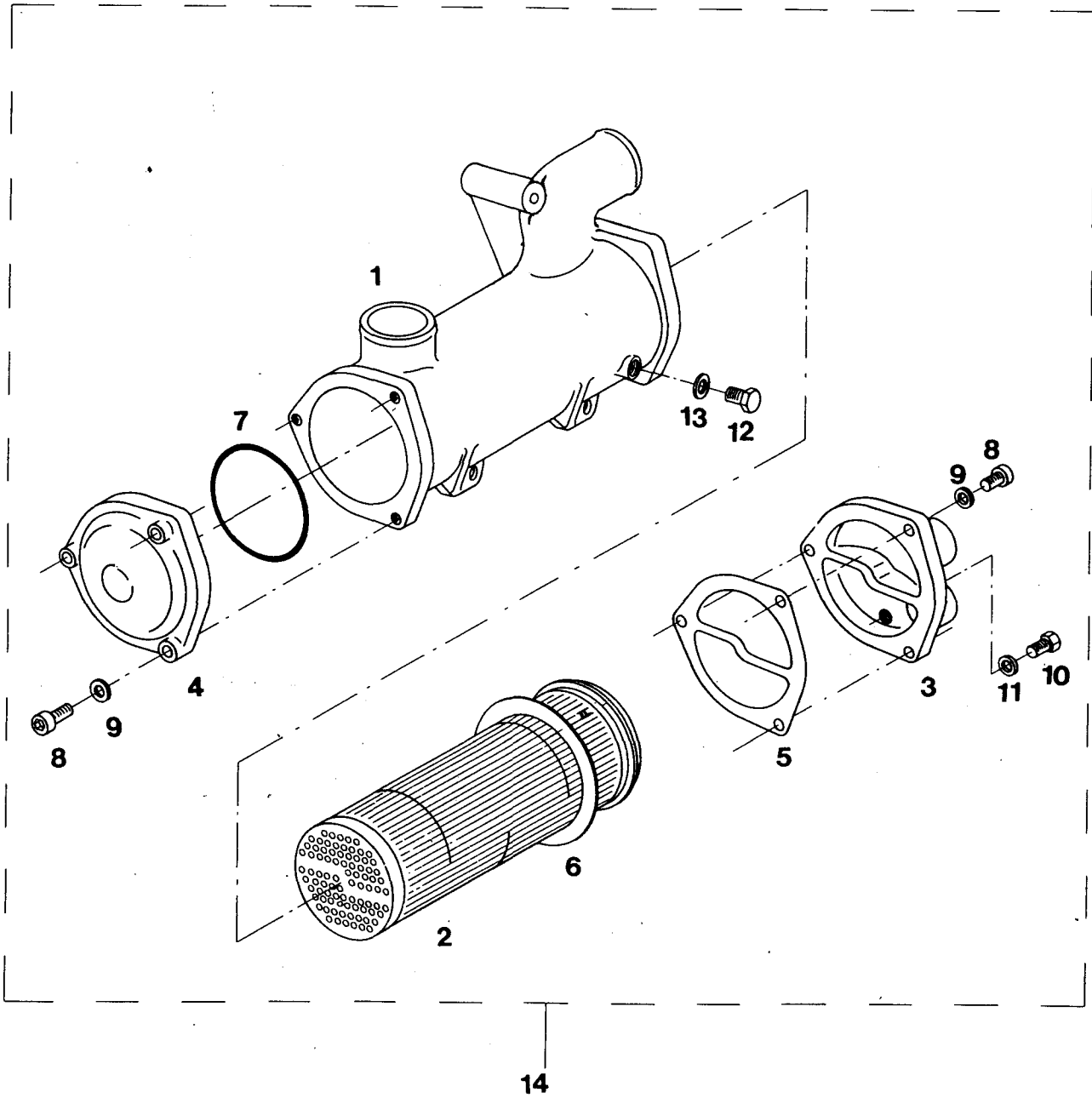
groep/ group	blz./ page	type	omschrijving/description	datum/date
3	2	DT67 DTA67	Warmtewisselaar Heatexchanger	3.10.95



groep/ group	blz./ page	type	omschrijving/description	datum/date
3	3	DT67 DTA67	Warmtewisselaar Heatexchanger	1.12.97

pos.	qty	part	benaming	description
1	1	STM8337	Huis DT67-DTA67	Body DT67-DTA67
2	1	STM8304	Pijpenbundel DT67-DTA67	Tubestack DT67-DTA67
3	1	STM8305	Eindeksel	End cover
4	1	STM8306	Omkeerdeksel	Return cover
5	1	STM8307	Afdichting	Joint
6	1	STM8308	Afdichting	Joint
7	1	STM8309	O-ring	O-ring
8	6	STM8310	Inbusbout	Socket screw
9	6	STM8311	Veerring	Spring washer
10	1	STM8312	Plug G ¹ / ₄	Plug G ¹ / ₄
11	1	STM8313	Afdichtring G ¹ / ₄	Seal washer G ¹ / ₄
12	1	STM8314	Plug G ¹ / ₂	Plug G ¹ / ₂
13	1	STM8315	Afdichtring G ¹ / ₂	Seal washer G ¹ / ₂
14	1	STM8349	Warmtewisselaar cpl. DT67-DTA67	Heatexchanger cpl. DT67-DTA67

groep/ group	blz./ page	type	omschrijving/description	datum/date
3	3	DT67 DTA67	Warmtewisselaar Heatexchanger	3.10.95

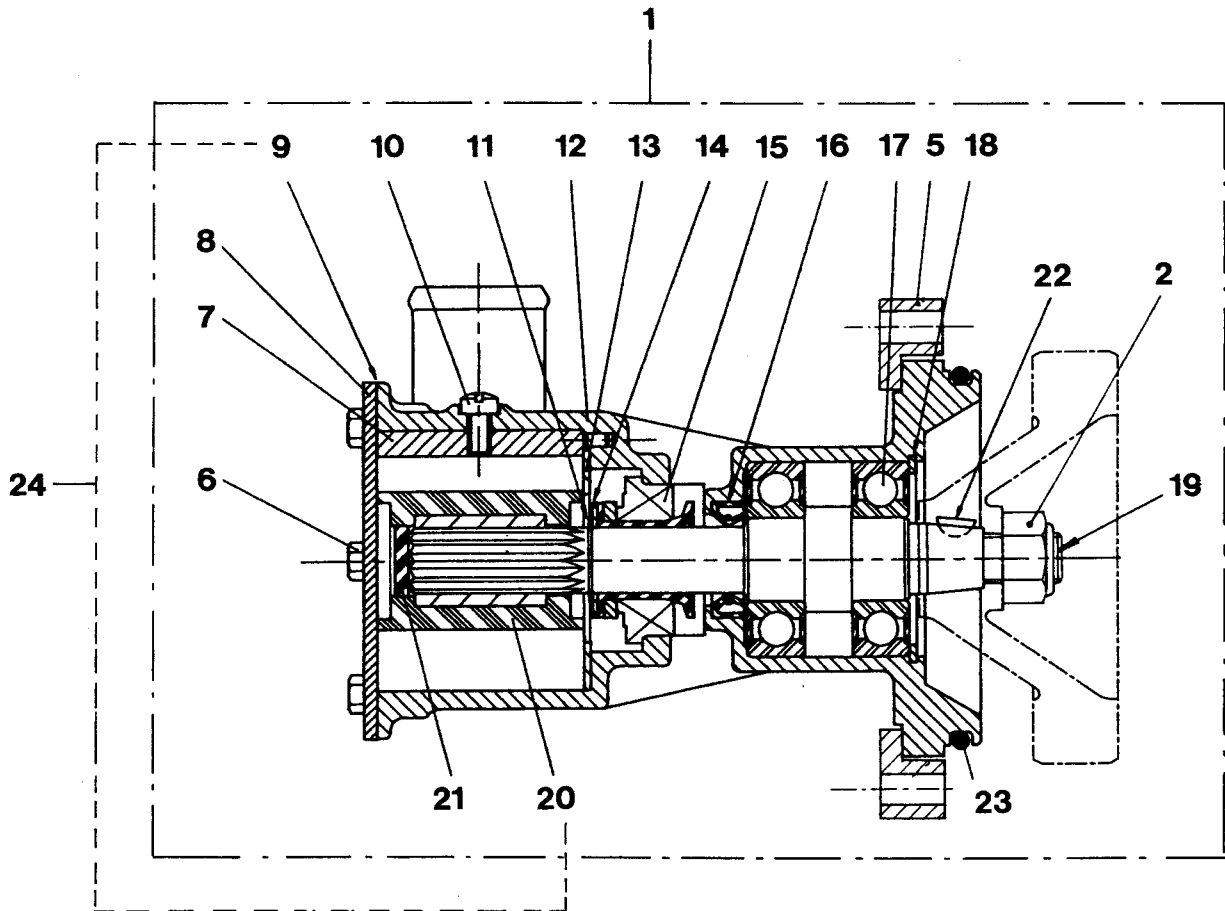
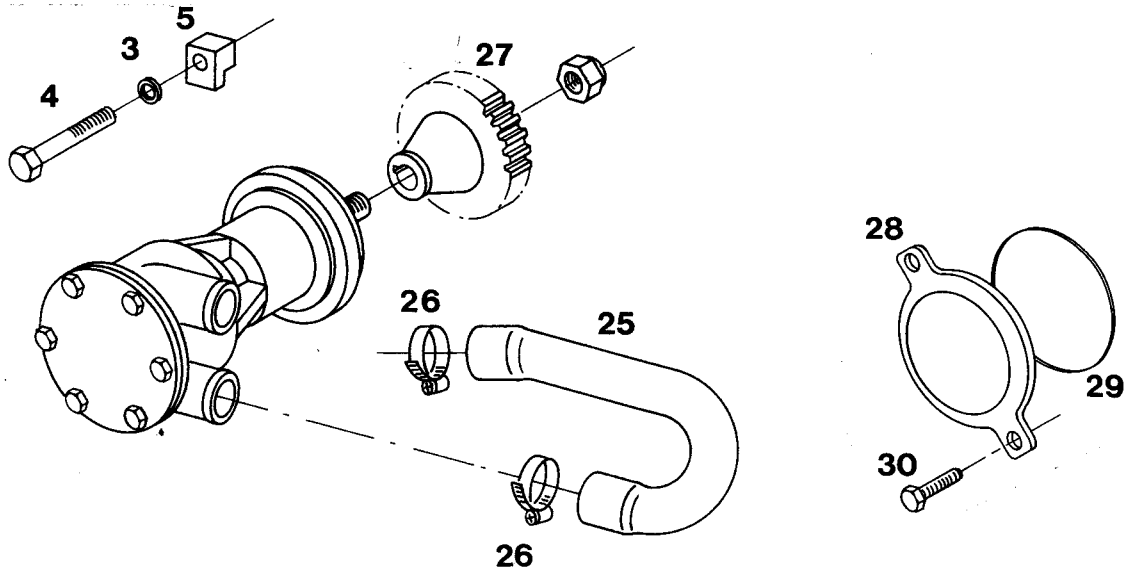


3

groep/ group	blz./ page	type	omschrijving/description	datum/date
3	4	DT67 DTA67	Zeewaterpomp Seawater pump	28.5.96

pos.	qty	part	benaming	description
1	1	STM8260	Pomp 1041 ² / ₃ kam DT67-DTA67	Pump 1041 ² / ₃ cam DT67-DTA67
2	1	STM8230	Zelfborgende moer M12	Nyloc nut M12
3	2	STM1056	Veerring M8	Spring washer M8
4	2	STM8331	Bout M8x80	Bolt M8x80
5	2	STM8231	Klemplaat	Clamp plate
6	6	STM8232	Schroef	Screw
7	1	STM8261	² / ₃ kam DT67-DTA67	² / ₃ cam DT67-DTA67
8	1	STM8262	Eindplaat DT67-DTA67	Endcover DT67-DTA67
9	1	STM8235	Pakking	Gasket
10	1	STM8236	Schroef	Screw
11	1	STM8237	Borgring	Retaining ring
12	1	STM8238	Huis	Body
13	1	STM8239	Slijtplaat	Wearplate
14	1	STM8240	Ring	Washer
15	1	STM8241	Afdichting	Mechanical seal
16	1	STM8242	Keerring	Lip seal
17	2	STM8243	Lager	Bearing
18	1	STM8244	Borgring	Retaining ring
19	1	STM8245	As	Shaft
20	1	STM8246	Impeller	Impeller
21	1	STM8247	Afdichting	Spline plug
22	1	STM8248	Spie	Key
23	1	STM8249	O-ring 82x4	O-ring 82x4
24	1	STM8250	Reparatie set (9+20)	Spare parts (9+20)
25	1	STM8157	Slang zeewaterpomp-oliekoeler	Hose seawater pump-oilcooler
26	2	STM3005	Slangklem 32-44	Hose clamp 32-44
27	1	VD30017	Tandwiel	Gearwheel
28	1	STM8436	Deksel kielkoeling	Keelcooler cover
29	1	STM8249	O_ ring kielkoeling.82x4	O_ ring keelcooler.82x4
30	2	STM2258	Bout M8x45 kielkoeling	Bolt M8x45 keelcooler

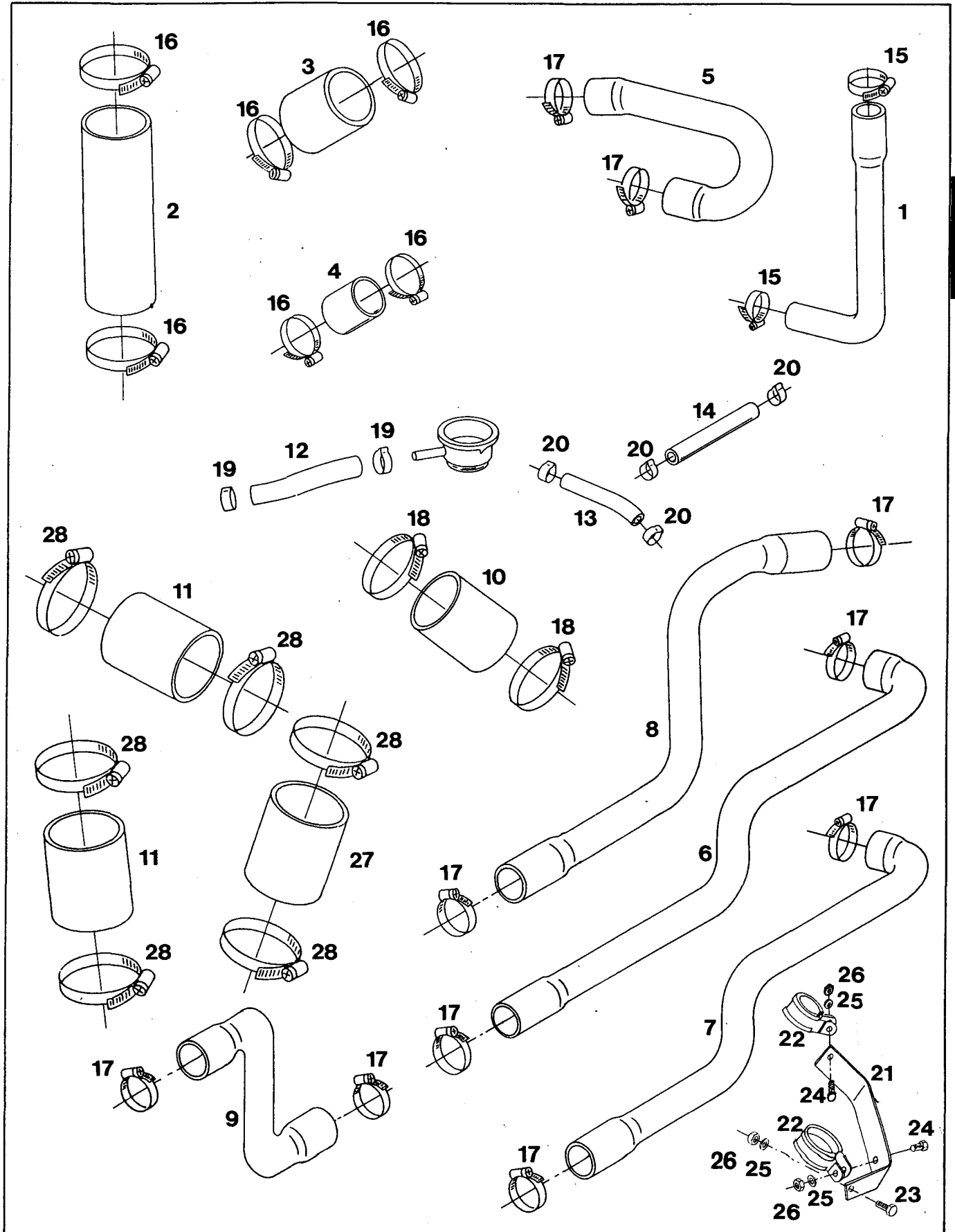
groep/ group	blz./ page	type	omschrijving/description	datum/date
3	4	DT67 DTA67	Zeewaterpomp Seawater pump	28.5.96



groep/ group	blz./ page	type	omschrijving/description	datum/date
3	5	DT67 DTA67	Slangen Hoses	11.5.98

pos.	qty	part	benaming	description
1	1	STM8151	Slang expansietank-circulatiepomp	Hose expansiontank-circulation pump
2	1	STM8380	Slang warmtewisselaar-expansietank	Hose heatexchanger-expansiontank
3	1	STM8379	Slang bocht-warmtewisselaar	Hose elbow-heatexchanger
4	1	STM8154	Slang expansietank-thermostaathuis	Hose expansiontank-thermostat housing
5	1	STM8157	Slang zeewaterpomp-oliekoeler	Hose seawater pump-oilcooler
6	1	STM8377	Slang DT67 oliekoeler-warmtewisselaar	Hose DT67 oilcooler-heatexchanger
7	1	STM8382	Slang DTA67 oliekoeler-aftercooler	Hose DTA67 oilcooler-aftercooler
8	1	STM8378	Slang w.w.-uitlaat injectiebocht	Hose heatexchanger-exhaust elbow
9	1	STM8383	Slang DTA67 aftercooler-warmtewisselaar	Hose DTA67 aftercooler-heatexchanger
10	1	STM8793	Slang DTA67 ϕ 80 turbocompressor-luchtpijp	Hose DTA67 ϕ 80 turbocompressor-airpipe
11	2	STM8386	Slang DTA67 ϕ 90 aftercooler-luchtpijp	Hose DTA67 ϕ 90 aftercooler-airpipe
12	1	STM9504	luchtpijp-bocht Slang vulnek l=1,5mtr.	airpipe-elbow Hose filler neck l=1.5mtr.
13	1	STM8160	Slang ϕ 8 l=0,22mtr. ontluchting cil.kop	Hose ϕ 8 l=0.22mtr. degassing cyl.head front side
14	1	STM8160	Slang ϕ 8 l=0,22mtr. ontluchting cil.kop	Hose ϕ 8 l=0.22mtr. degassing cyl.head front side
15	2	STM6116	Slangklem 26-38	Hose clamp 26-38
16	6	STM3006	Slangklem 50-65	Hose clamp 50-65
17	10	STM3005	Slangklem 32-44	Hose clamp 32-44
18	2	STM8149	Slangklem 77-95	Hose clamp 77-95
19	2	STM9505	Slangklem	Hose clamp
20	4	STM6185	Slangklem	Hose clamp
21	1	STM8393	Beugel	Support
22	2	STM3061	Klem RSGU1.35/20W1	Clamp RSGU1.35/20W1
23	1	STM2258	Bout M8x45	Bolt M8x45
24	2	STM4055	Bout M8x16	Bolt M8x16
25	3	STM1056	Veerring M8	Spring washer M8
26	3	STM2005	Moer M8	Nut M8
27	1	STM8794	Slang ϕ 90 luchtpijp-aftercooler	Hose ϕ 90 airpipe-aftercooler
28	10	STM8149	Slangklem 87-112	Hoseclamp 87-112

groep/ group	blz./ page	type	omschrijving/description	datum/date
3	5	DT67 DTA67	Slangen Hoses	11.5.98

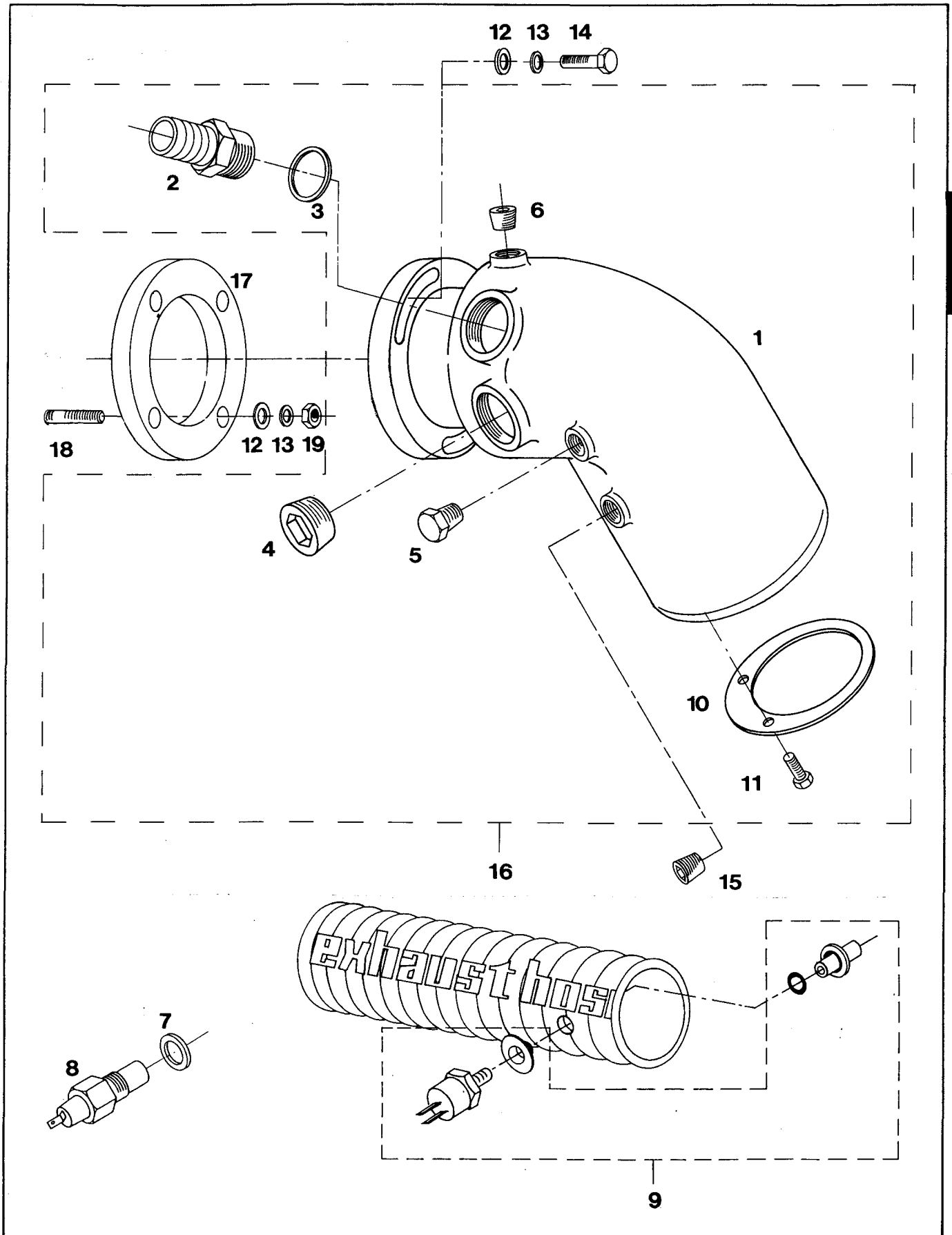


3

groep/ group	blz./ page	type	omschrijving/description	datum/date
3	6	DT67 DTA67	Uitlaat injectiebocht Exhaust injection elbow	1.12.97

pos.	qty	part	benaming	description
1	1	STM8344	Uitlaat injectiebocht ϕ 125 DT67	Exhaust injection elbow ϕ 125 DT67
	1	STM8347	Uitlaat injectiebocht ϕ 150 DTA67	Exhaust injection elbow ϕ 150 DTA67
2	1	STM3761	Slangpilaar G1-32	Hose pillar G1-32
3	1	STM8176	Afdichtring G1	Seal washer G1
4	1	STM8169	Plug G1	Plug G1
5	1	CT30232	Plug $G^{3/8}$	Plug $G^{3/8}$
6	1	STM4081	Plug $G^{1/8}$	Plug $G^{1/8}$
7	1	STM2019	Afdichtring M18 voor STM2006	Seal washer M18 for STM2006
8	1	STM2006	Temperatuur schakelaar 75°C enkelpolig	Thermo switch 75°C single-pole
9	1	STM9196	Temperatuur schakelaar 71°C dubbelpolig	Thermo switch 71°C double-pole
10	1	STM8345	Verdeler DT67	Diffusor DT67
	1	STM8370	Verdeler DTA67	Diffusor DTA67
11	2	STM8138	Bout M5x10 RVS	Bolt M5x10 SS
12	4	STM8390	Ring M10	Washer M10
13	4	STM4014	Veerring M10	Spring washer M10
14	4	STM8391	Bout M10x25	Bolt M10x25
15	1	STM8179	Afdichtstop M18x1,5 voor STM9196	Plug M18x1.5 for STM9196
16	1	STM8395	Uitlaat injectiebocht ϕ 125 cpl. DT67	Exhaust injection elbow ϕ 125 cpl. DT67
	1	STM8396	Uitlaat injectiebocht ϕ 150 cpl. DTA67	Exhaust injection elbow ϕ 150 cpl. DTA67
17	1	STM8206	Flens	Flange
18	4	STM8205	Tapeind M10x40	Studbolt M10x40
19	4	STM8764	Moer M10	Nut M10

groep/ group	blz./ page	type	omschrijving/description	datum/date
3	6	DT67 DTA67	Uitlaat injectiebocht Exhaust injection elbow	28.5.96

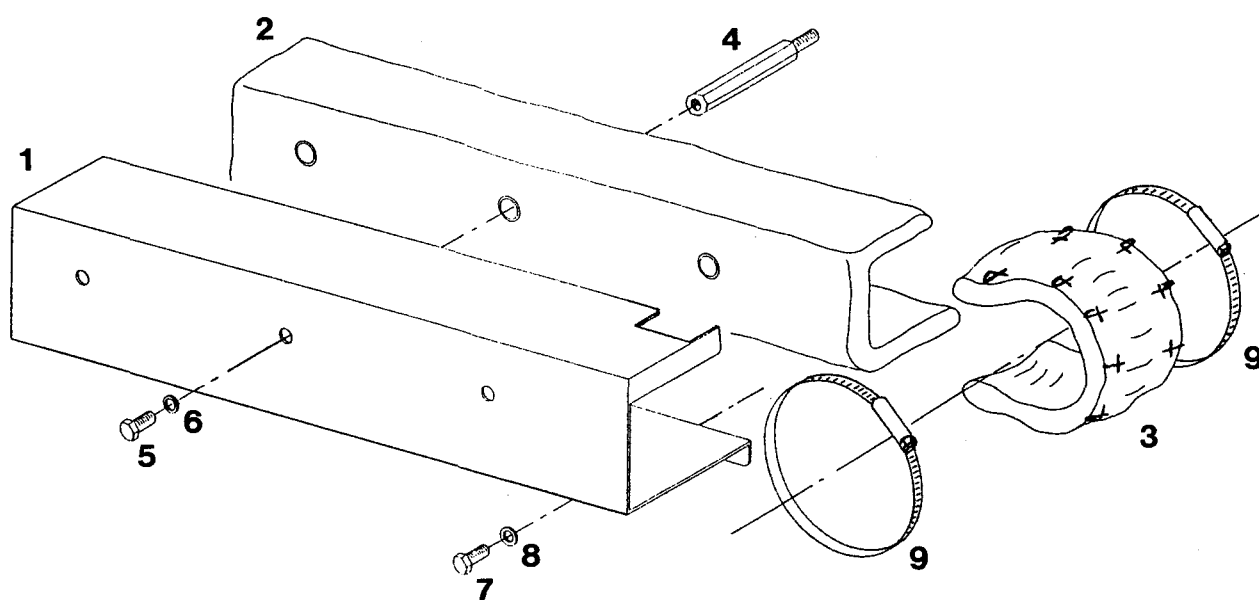


3

groep/ group	blz./ page	type	omschrijving/description	datum/date
3	7	DT67 DTA67	Uitlaat afscherming Exhaust cover	3.10.95

pos.	qty	part	benaming	description
1	1	STM8343	Beschermkast DT67-DTA67	Protection cover DT67-DTA67
2	1	STM8353	Isolatie DT67-DTA67	Insulation DT67-DTA67
3	1	STM8354	Isolatie DT67-DTA67	Insulation DT67-DTA67
4	3	STM8255	Afstandhouder l=126	Spacer l=126
5	3	STM4055	Bout M8x15	Bolt M8x15
6	3	STM1056	Veerring M8	Spring washer M8
7	3	STM4055	Bout M8x15	Bolt M8x15
8	3	STM1056	Veerring M8	Spring washer M8
9	2	STM8376	Slangklem	Hose clamp

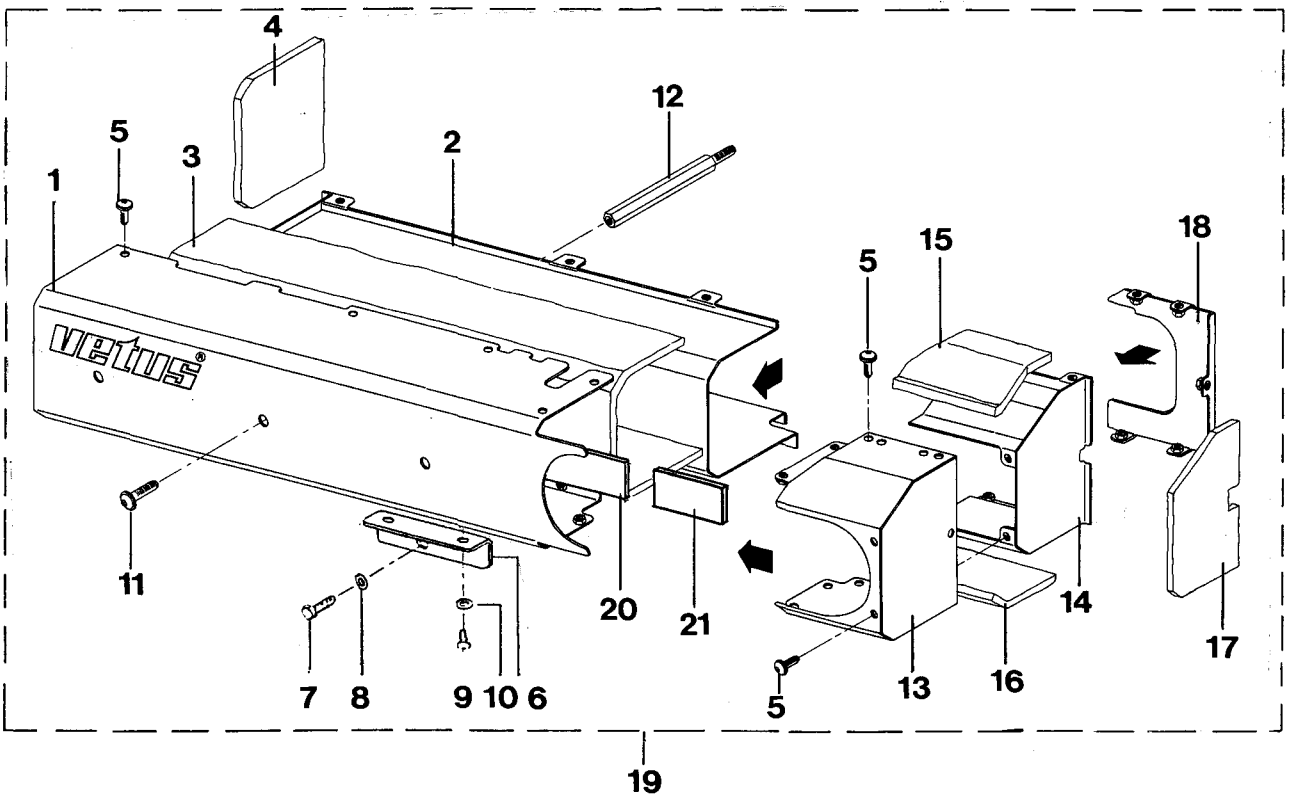
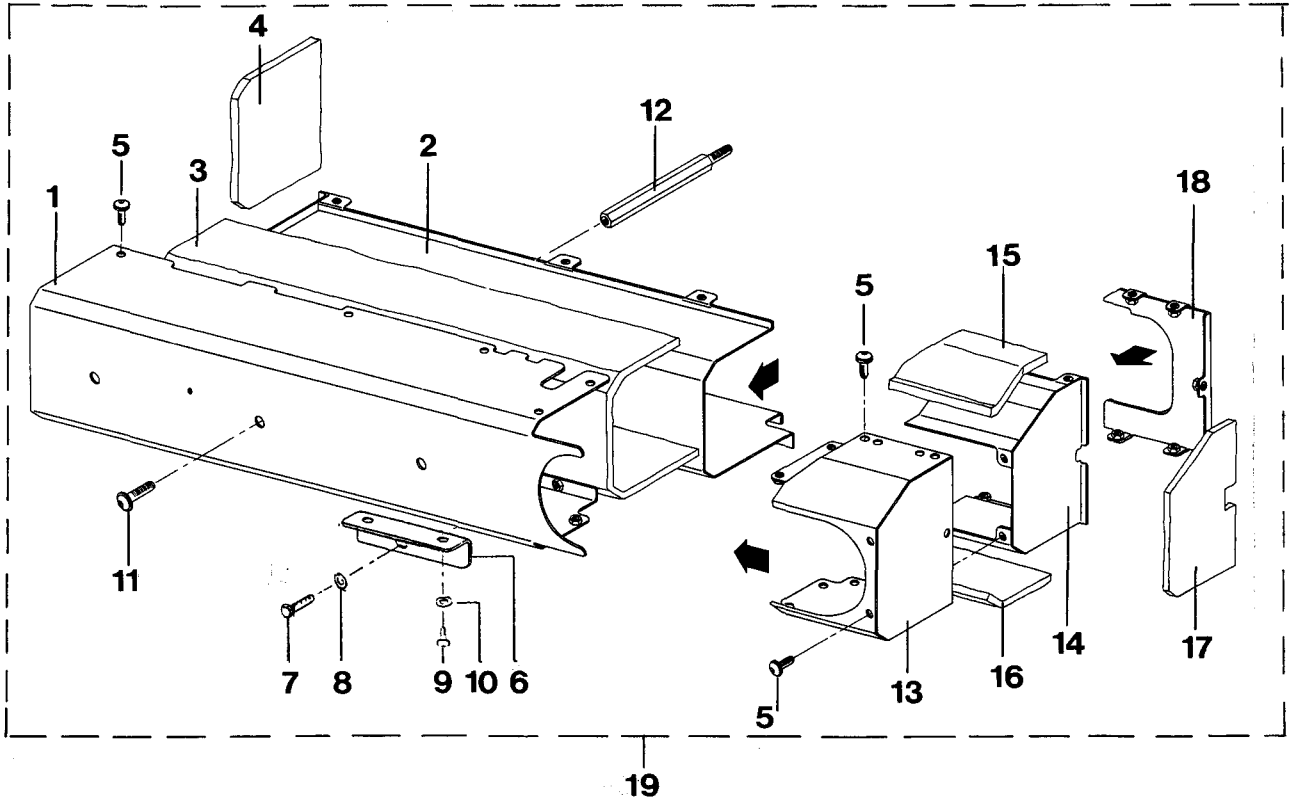
groep/ group	blz./ page	type	omschrijving/description	datum/date
3	7	DT67 DTA67	Uitlaat afscherming Exhaust cover	3.10.95



groep/ group	blz./ page	type	omschrijving/description	datum/date
3	7a	DT67 DTA67	Uitlaat afscherming Exhaust cover	15.4.97

pos.	qty	part	benaming	description
1	1	STM8485	Beschermkast buiten zonder logo	Protection cover outside without a logo
	1	STM8412	Beschermkast buiten met logo	Protection cover outside with a logo
2	1	STM8484	Beschermkast binnen	Protection cover inside
3	1	STM8491	Isolatie	Insulation
4	1	STM8492	Isolatie	Insulation
5	21	STM8437	Inbus bout M6x8	Allen screw M6x8
6	1	STM8499	Bev.steun	Support
7	4	STM8425	Bout M8x12	Bolt M8x12
8	4	STM8424	Veerring M8	Spring washer M8
9	2	STM8567	Bout M6x10 RVS.	Bolt M6x10 SS.
10	2	STM8568	Veerring M6 RVS.	Spring washer M6 SS.
11	3	STM8425	Bout M8x12	Bolt M8x12
12	3	STM8441	Afstandshouder M8 L=133	Spacer M8 L=133
13	1	STM8488	Beschermkast turbo buiten	Protection cover turbo outside
14	1	STM8487	Beschermkast turbo binnen	Protection cover turbo inside
15	1	STM8493	Isolatie	Insulation
16	1	STM8494	Isolatie	Insulation
17	1	STM8495	Isolatie	Insulation
18	1	STM8489	Achterplaat turbo	Backplate turbo
19	1	STM8422	Afscherming cpl.zonder logo	Protection cover cpl.without a logo
	1	STM8417	Afscherming cpl.met logo	Protection cover cpl.with a logo
20	1	STM8646	Decoratie plaat geel	Decoration plate yellow
21	1	STM8647	Decoratie plaat blauw	Decoration plate blue
22	1	STM8684	Achterplaat turbo	Backplate turbo
23	1	STM8683	Beschermlik	Protection bef

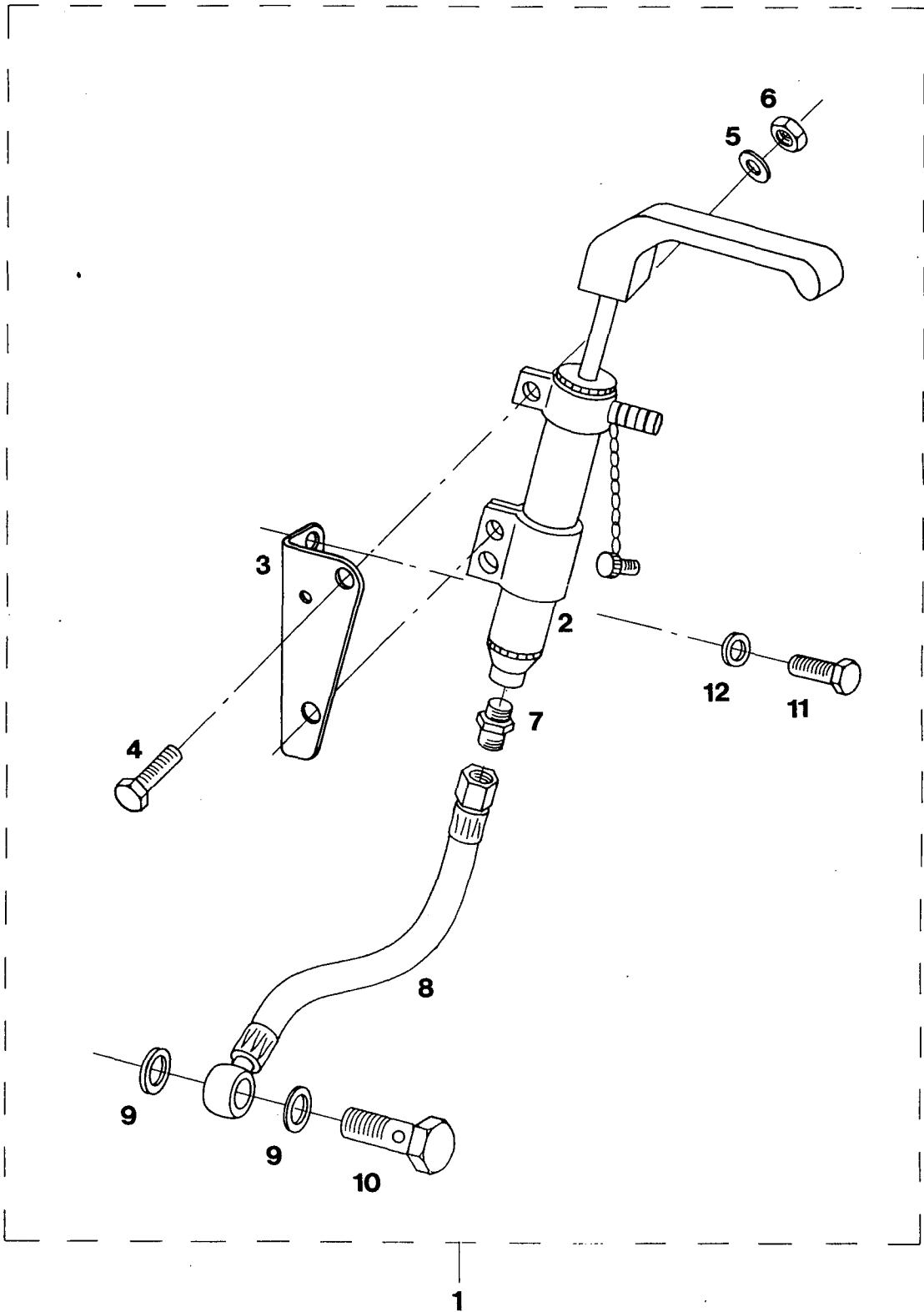
groep/ group	blz./ page	type	omschrijving/description	datum/date
3	7a	DT67 DTA67	Uitlaat afscherming Exhaust cover	15.4.97



groep/ group	biz./ page	type	omschrijving/description	datum/date
3	8	DT67	Olie aftappomp Oil drainpump	11.1.99

pos.	qty	part	benaming	description
1	1	STM8164	Set cpl. DT67	Set cpl. DT67
2	1	CT30236	Olie aftappomp	Oil drainpump
3	1	STM8166	Steun DT67 SB-BB	Support DT67 SB-PS
4	2	STM4055	Bout M8x15	Bolt M8x15
5	2	STM1056	Veerring M8	Spring washer M8
6	2	STM2005	Moer M8	Nut M8
7	1	STM3766	Nippel G ¹ / ₄ -M16	Nipple G ¹ / ₄ -M16
8	1	STM8797	Slang	Hose
9	2	STM2019	Afdichtring M18	Seal washer M18
10	1	STM8168	Banjo bout M18	Banjo bolt M18
11	2	STM4055	Bout M8x15	Bolt M8x15
12	2	STM1056	Veerring M8	Spring washer M8

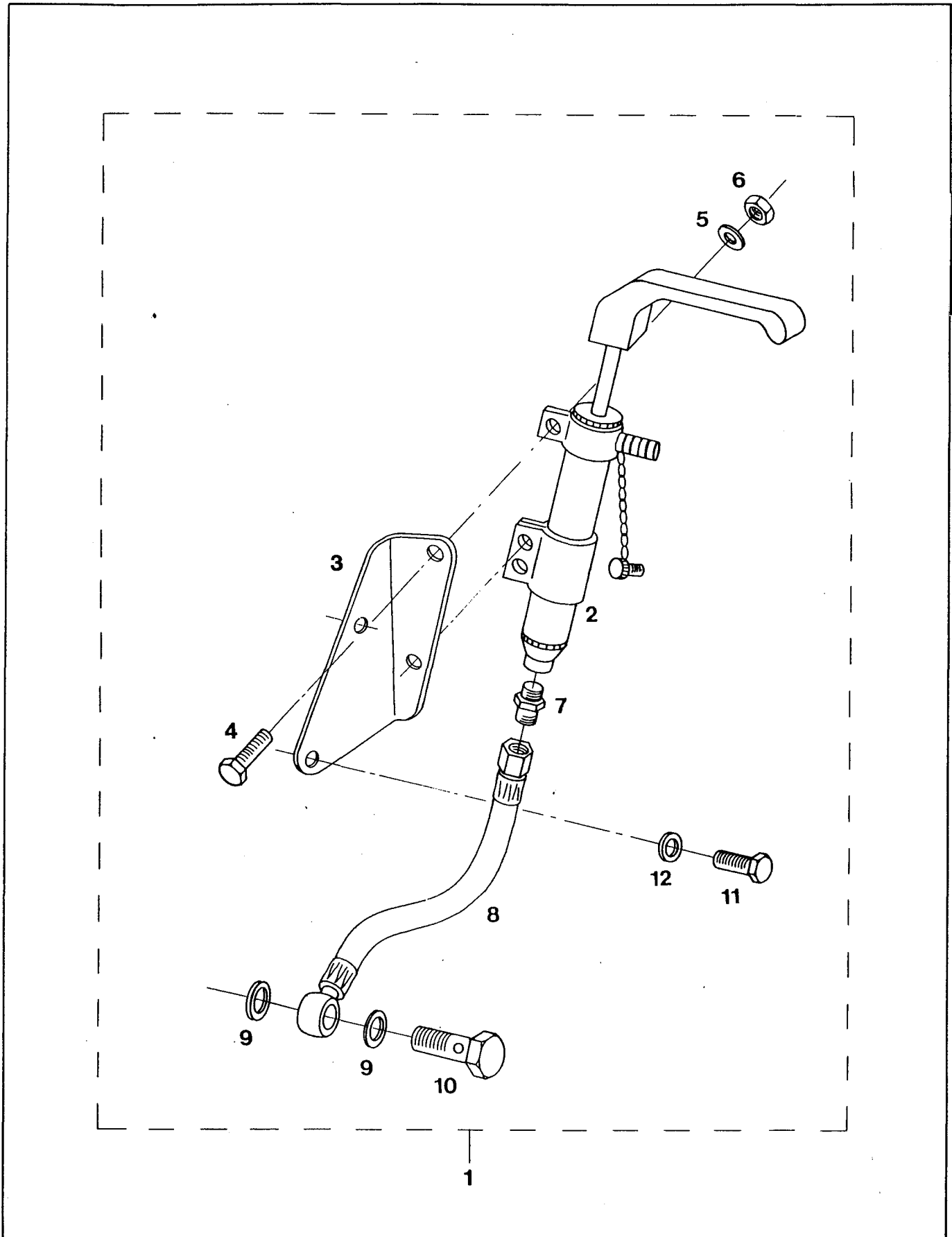
groep/ group	blz./ page	type	omschrijving/description	datum/date
3	8	DT67	Olief aftappomp Oil drainpump	3.10.95



groep/ group	blz./ page	type	omschrijving/description	datum/date
3	9	DTA67	Olie aftappomp Oil drainpump	11.1.99

pos.	qty	part	benaming	description
1	1	STM8389	Set cpl. DTA67	Set cpl. DTA67
2	1	CT30236	Olie aftappomp	Oil drainpump
3	1	STM8388	Steun DTA67	Support DTA67
4	2	STM4055	Bout M8x15	Bolt M8x15
5	2	STM1056	Veerring M8	Spring washer M8
6	2	STM2005	Moer M8	Nut M8
7	1	STM3766	Nippel G ¹ / ₄ -M16	Nipple G ¹ / ₄ -M16
8	1	STM8798	Slang	Hose
9	2	STM2019	Afdichtring M18	Seal washer M18
10	1	STM8168	Banjo bout M18	Banjo bolt M18
11	2	STM4055	Bout M8x15	Bolt M8x15
12	2	STM1056	Veerring M8	Spring washer M8

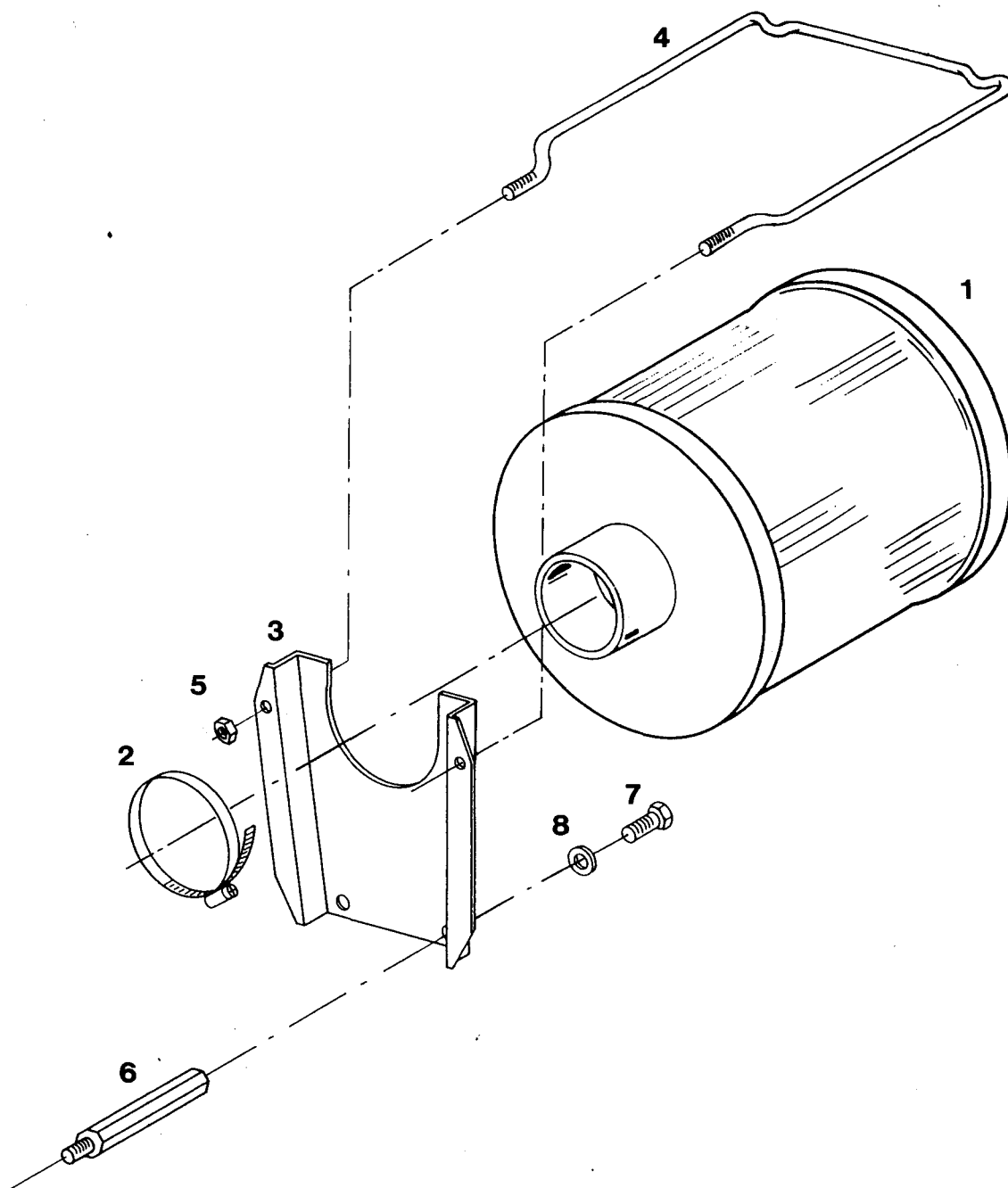
groep/ group	blz./ page	type	omschrijving/description	datum/date
3	9	DTA67	Olief aftappomp Oil drainpump	3.10.95



groep/ group	blz./ page	type	omschrijving/description	datum/date
3	10	DT67 DTA67	Luchtfilter Aircleaner	3.10.95

pos.	qty	part	benaming	description
1	1	STM8198	Luchtfilter DT67-DTA67	Aircleaner DT67-DTA67
2	1	STM8149	Slangklem 87-112	Hose clamp 87-112
3	1	STM8186	Steun	Support
4	1	STM8197	Beugel	Clamp
5	2	STM8129	Zelfborgende moer M6	Nyloc nut M6
6	2	STM8187	Afstandhouder l=90	Spacer l=90
7	2	STM9003	Bout M10x25	Bolt M10x25
8	2	STM4014	Veerring M10	Spring washer M10

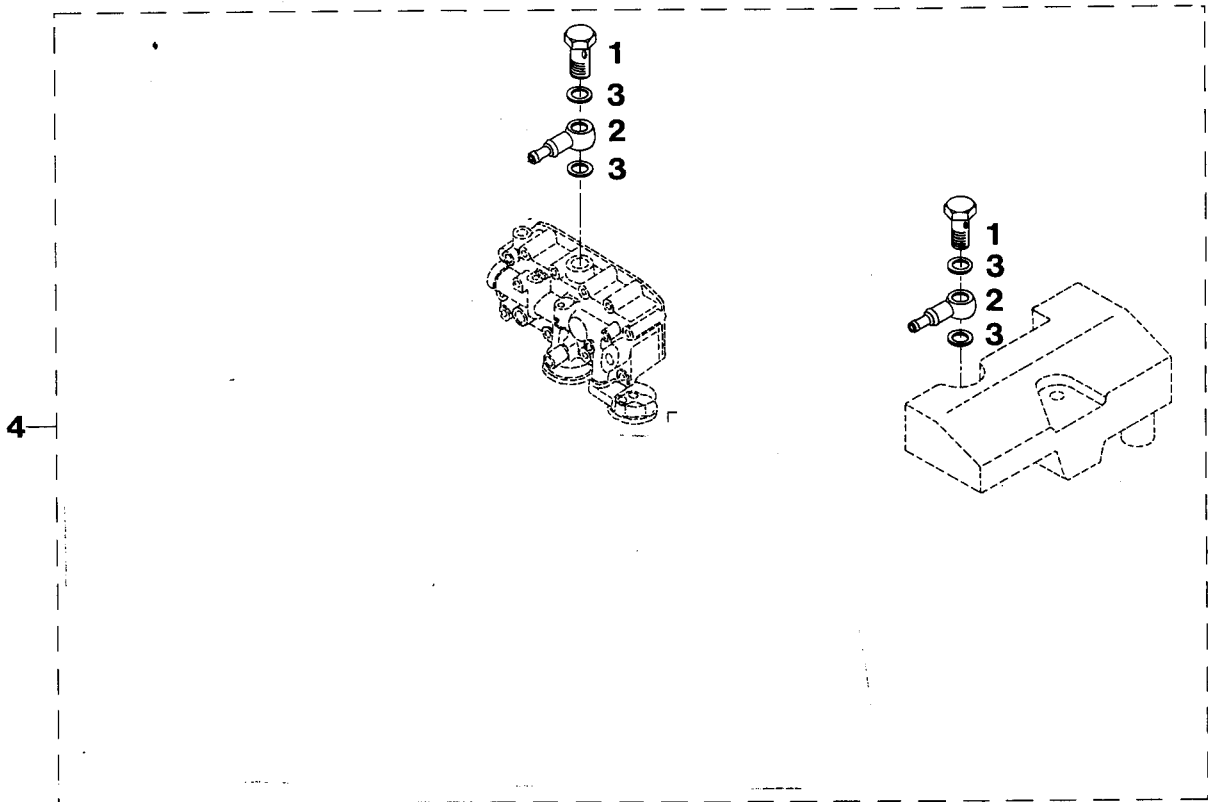
groep/ group	blz./ page	type	omschrijving/description	datum/date
3	10	DT67 DTA67	Luchtfilter Aircleaner	3.10.95



groep/ group	blz./ page	type	omschrijving/description	datum/date
3	11	DT67 DTA67	Boiler aansluiting Boiler connection	28.5.96

pos.	qty	part	benaming	description
1	2	STM8263	Banjo bout M26x1,5	Banjo bolt M26x1.5
2	2	STM8265	Banjo oog $\phi 22-\phi 16$	Banjo eye $\phi 22-\phi 16$
3	4	STM6557	Afdichtring M26	Sealing washer M26

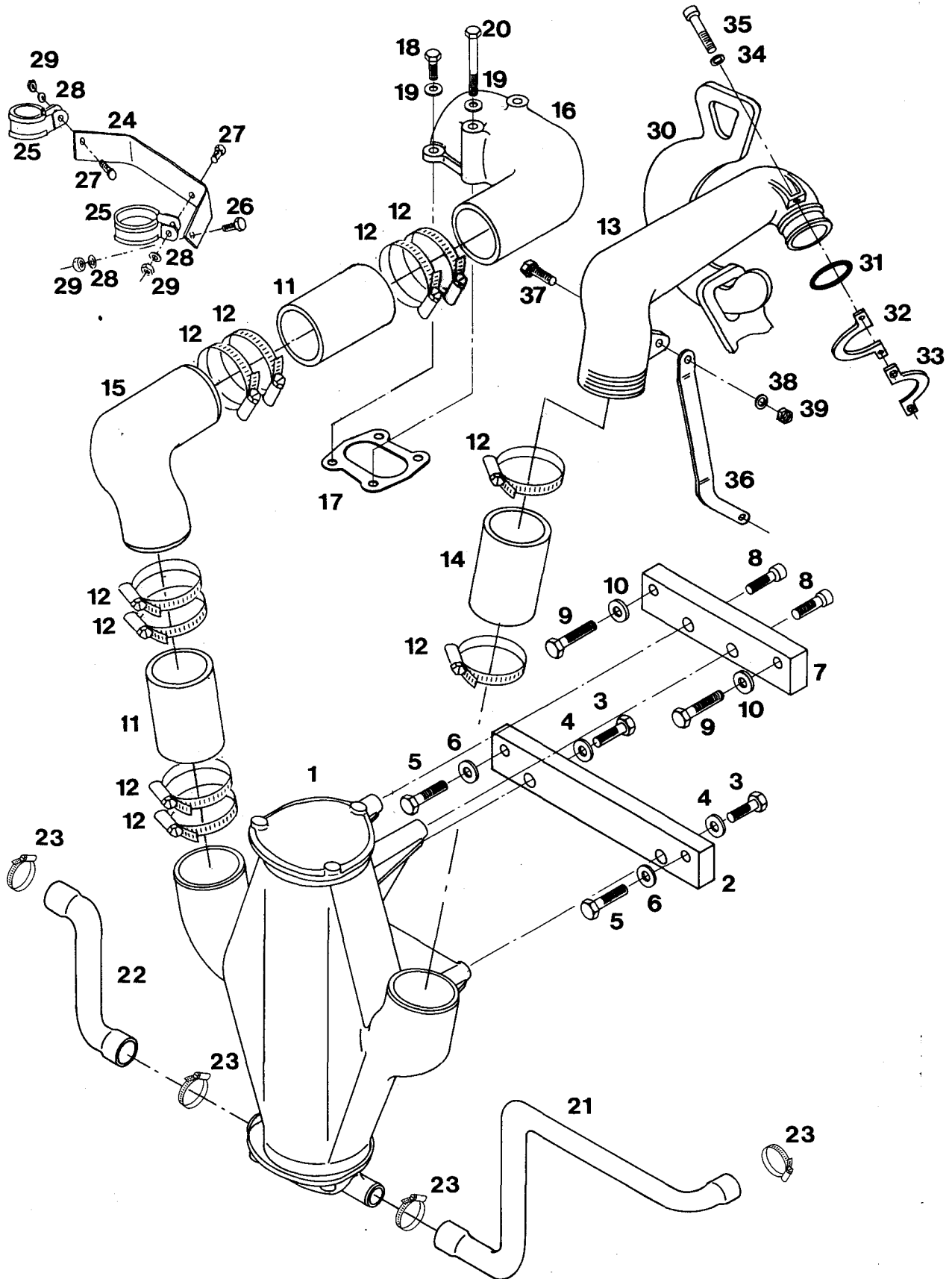
groep/ group	blz./ page	type	omschrijving/description	datum/date
3	11	DT67 DTA67	Boiler aansluiting Boiler connection	28.5.96



groep/ group	blz./ page	type	omschrijving/description	datum/date
3	12	DTA67	Laadluchtkoeler Aftercooler	18.5.98

pos.	qty	part	benaming	description
1	1	STM8366	Laadluchtkoeler DTA67	Aftercooler DTA67
2	1	STM8374	Bevestigingstrip	Fastening strip
3	2	CT20078	Bout M10x45	Bolt M10x45
4	2	STM4014	Veerring M10	Spring washer M10
5	2	STM2261	Bout M8x40	Bolt M8x40
6	2	STM1056	Veerring M8	Spring washer M8
7	1	STM8375	Bevestigingsstrip	Fastening strip
8	2	STM8371	Inbusbout M10x35	Socket screw M10x35
9	2	STM2261	Bout M8x40	Bolt M8x40
10	2	STM1056	Veerring M8	Spring washer M8
11	2	STM8386	Slang ϕ 90 aftercooler-luchtpijp	Hose ϕ 90 aftercooler-airpipe
12	10	STM8149	luchtpijp-bocht Slangklem 87-112	airpipe-elbow Hose clamp 87-112
13	1	STM8765	Luchtpijp	Airpipe
14	1	VD20690	Slang ϕ 90 Turbocompressor-luchtpijp	Hose ϕ 90 turbocompressor-airpipe
15	1	STM8369	Luchtpijp	Airpipe
16	1	STM8364	Bocht	Elbow
17	1	STM8367	Pakking	Gasket
18	2	STM8372	Bout M6x25	Bolt M6x25
19	4	STM1025	Gegolfde veerring M6	Wave spring washer M6
20	2	STM8373	Bout M6x100	Bolt M6x100
21	1	STM8382	Slang oliekoeler-aftercooler	Hose oilcooler-aftercooler
22	1	STM8383	Slang aftercooler-warmtewisselaar	Hose aftercooler-heatexchanger
23	4	STM3005	Slangklem	Hose clamp
24	1	STM8393	Beugel	Support
25	2	STM3061	Klem RSGU1.35/20W1	Clamp RSGU1.35/20W1
26	1	STM2261	Bout M8x40	Bolt M8x40
27	2	STM4055	Bout M8x16	Bolt M8x16
28	3	STM1056	Veerring M8	Spring washer M8
29	3	STM2005	Moer M8	Nut M8
30	1	STM8281	Hijshaak DT67-DTA67	Lifting hook DT67-DTA67
31	1	VD20481	O-ring	O-ring
32	1	STM8766	1/2 Borgring	1/2 Lock washer
33	1	STM8767	1/2 Borgring	1/2 Lock washer
34	2	STM1025	Gegolfde veerring M6	Wave spring washer M6
35	2	STM8873	Inbusbout M6x60	Allen screw M6x60
36	1	STM8856	Trekstrip	Pull strip
37	1	STM3355	Bout M8x20	Bolt M8x20
38	1	STM1019	Gegolfde veerring M8	Wave spring washer M8
39	1	STM2005	Moer M8	Nut M8

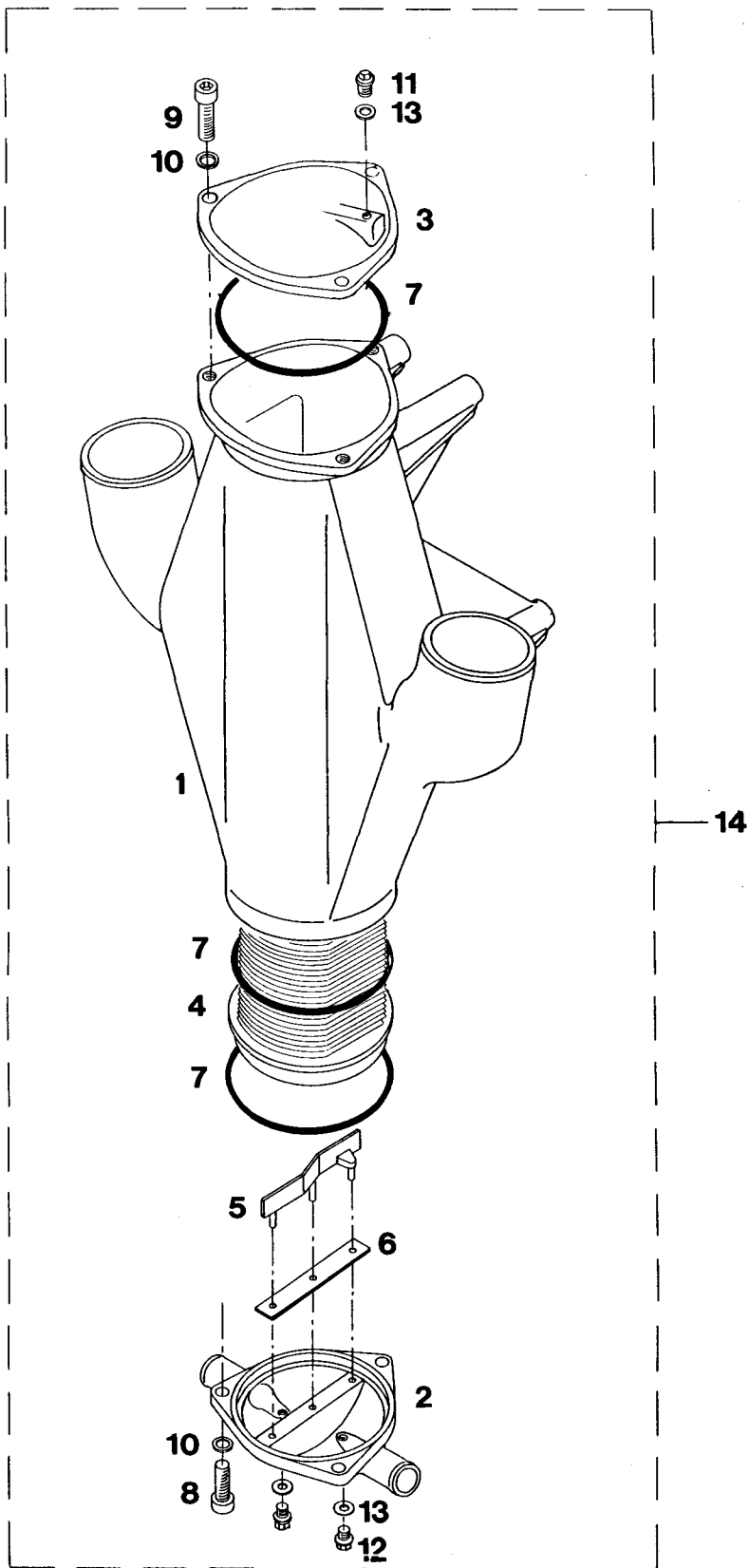
groep/ group 3	blz./ page 12	type DTA67	omschrijving/description Laadluchtkoeler Aftercooler	datum/date 18.5.98
----------------------	---------------------	---------------	--	-----------------------



groep/ group	blz./ page	type	omschrijving/description	datum/date
3	12a	DTA67	Laadluchtkoeler Aftercooler	11.5.98

pos.	qty	part	benaming	description
1	1	STM8860	Huis	Body
2	1	STM8861	Eindeksel	End cover
3	1	STM8862	Omkeerdeksel	Return box
4	1	STM8863	Pijpenbundel	Tube stack
5	1	STM8864	Rib	Rib
6	1	STM8865	Afdichting	Seal
7	3	STM8866	O-ring	O-ring
8	3	STM8867	Inbusbout	Allen screw
9	3	STM8868	Inbusbout	Allen screw
10	6	STM8869	Veerring	Spring washer
11	1	STM8870	Ontluchttingsplug	Vent plug
12	2	STM8870	Aftapplug	Drain plug
13	3	STM8871	Afdichtring	Seal washer
14	1	STM8366	Laadluchtkoeler DTA67	Aftercooler DTA67

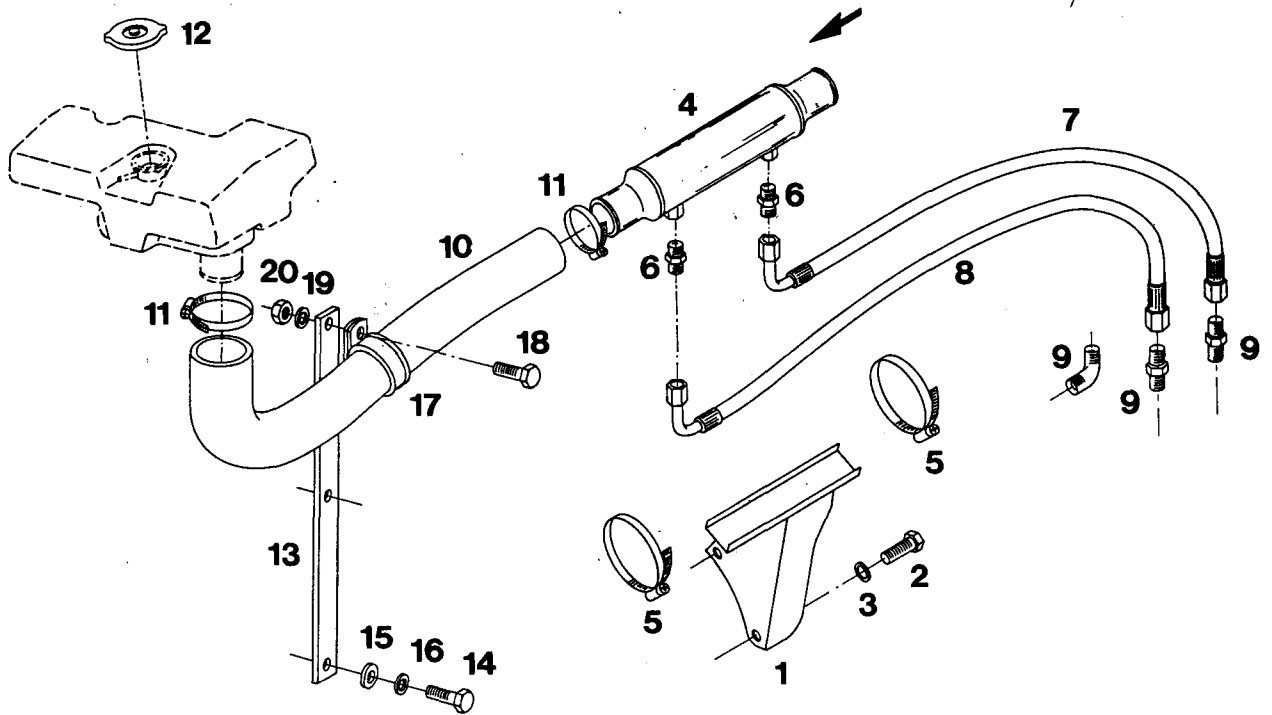
groep/ group	blz./ page	type	omschrijving/description	datum/date
3	12a	DTA67	Laadluchtkoeler Aftercooler	11.5.98



groep/ group	blz./ page	type	omschrijving/description	datum/date
3	13	DT67	Kielkoeler Keelcooler	18.6.98

pos.	qty	part	benaming	description
1	1	STM8704	Steun	Support
2	2	STM9003	Bout M10x25	Bolt M10x25
3	2	STM4014	Veerring M10	Spring washer M10
4	1	STM8705	Oliekoeler 10"x ϕ 75-G3/8 slangaansluiting ϕ 60	Oilcooler 10"x ϕ 75-G3/8 hose connestion ϕ 60
5	2	STM8148	Slangklem 58-75	Hose clamp 58-75
6	2	STM3491	Nippel G3/8-M16	Nipple G3/8-M16
7	1	CT50079	Slang l=550	Hose l=550
8	1	CT50012	Slang l=750	Hose l=750
9	2	STM3491	Nippel M16-G3/8 Hurth-PRM	Nipple M16-G3/8 Hurth-PRM
	2	CT30112	Nippel M16-G1/2 Hurth 800 MPM-Twin disc	Nipple M16-G1/2 Hurth 800 MPM-Twin disc
	1	STM3491	Nippel M16-G3/8 BW	Nipple M16-G3/8 BW
	1	STM5009	Haakse nippel M16-G3/8 BW	Angle nipple M16-G3/8 BW
10	1	STM8711	Slang	Hose
11	2	STM3006	Slangklem 50-65	Hoseclamp 50-65
12	1	STM9507	Vuldop "do not open"	Filler cap "do not open"
13	1	STM8876	Steun	Support
14	2	STM1610	Bout M8x25	Bolt M8x25
15	2	STM3749	Ring M8	Washer M8
16	2	STM1056	Veerring M8	Spring washer M8
17	1	STM8875	Klem RSGU1.70/25W1	Clamp RSGU1.70/25W1
18	1	STM9003	Bout M10x25	Bolt M10x25
19	1	STM4014	Veerring M10	Spring washer M10
20	1	STM4018	Moer M10	Nut M10

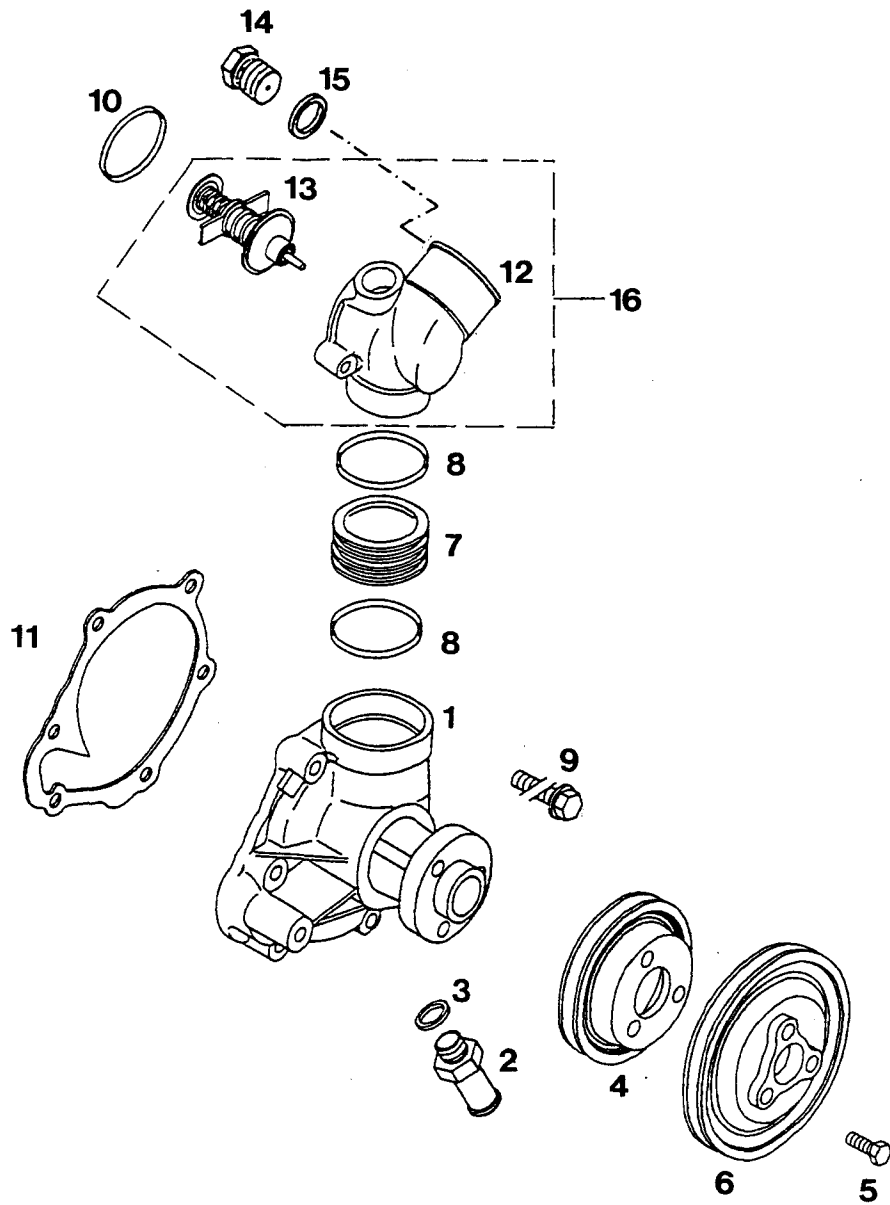
groep/ group	blz./ page	type	omschrijving/description	datum/date
3	13	DT67	Kielkoeler Keelcooler	18.6.98



groep/ group	blz./ page	type	omschrijving/description	datum/date
3	14	DT67 DTA67	Circulatiepomp Fresh water pump	4.7.97

pos.	qty	part	benaming	description
1	1	VD30028	Waterpomp	Coolant pump
2	1	VD30030	Slangpilaar	Hose connector
3	1	VD30003	Afdichtring	Sealing ring
4	1	VD30004	V-snaar pulley	V-grooved pulley
5	3	VD30006	Bout M8x25	Bolt M8x25
6	1	VD30007	V-snaar pulley	V-grooved pulley
7	1	VD30008	Plug	Plug
8	2	VD30009	O-ring 48x5	O-seal 48x5
9	9	VD20401	Bout M8x35	Bolt M8x35
10	1	VD30011	O-ring 80x3	O-seal 80x3
11	1	VD30027	Pakking	Gasket
12	1	VD30018	Thermostaathuis	Thermostathousing
13	1	VD30016	Thermostaat 83°C	Thermostat 83°C
14	1	VD30020	Ventilatie plug	Vent plug
15	1	VD30029	Afdichtring	Sealing ring
16	1	VD30015	Thermostaat + huis	Thermostat + housing

groep/ group	blz./ page	type	omschrijving/description	datum/date
3	14	DT67 DTA67	Circulatiepomp Fresh water pump	4.7.97



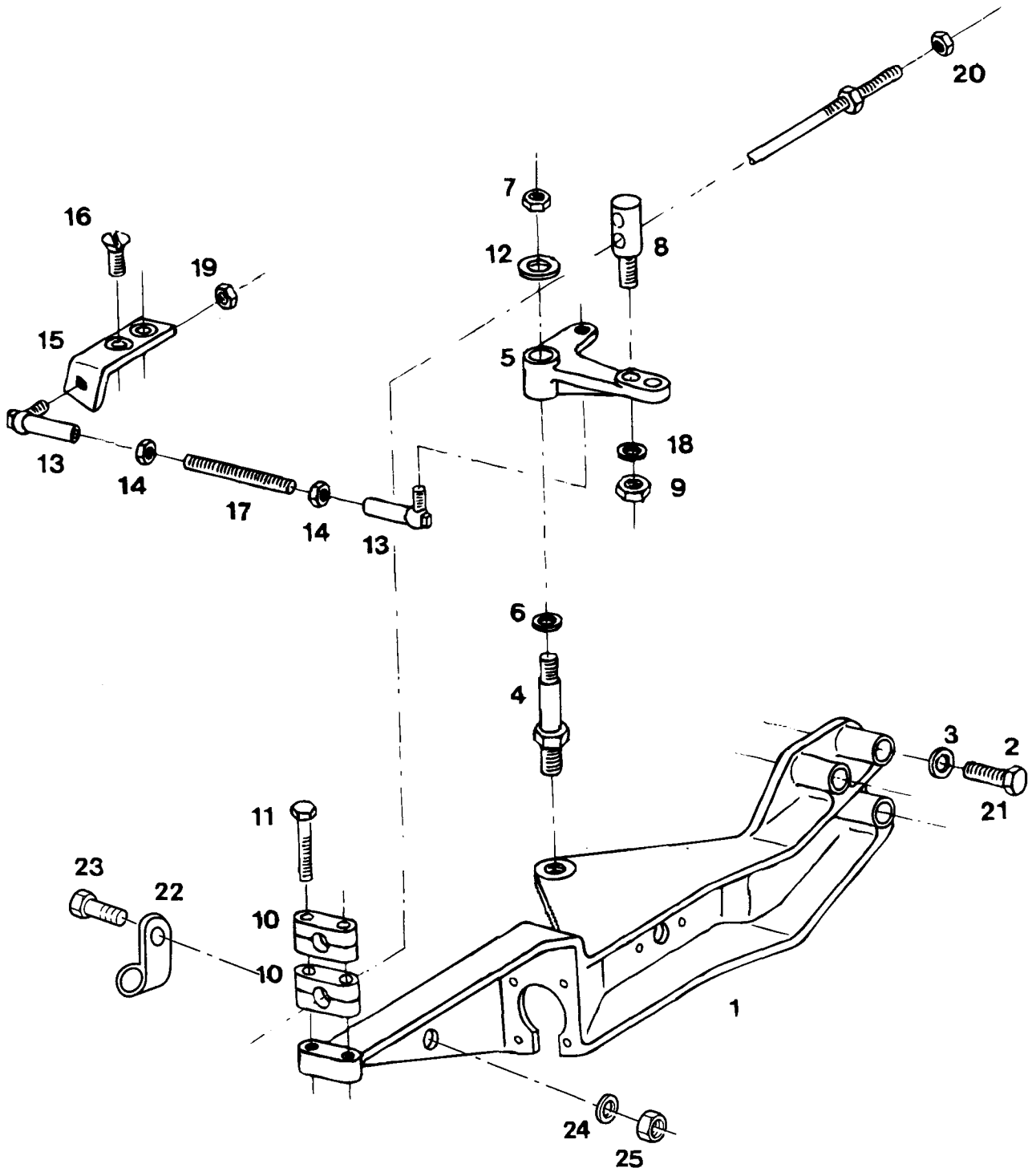
onderdelencatalogus
parts catalogue



groep/ group	blz./ page	type	omschrijving/description	datum/date
4	1	DT(A) 67	Gasbedieningssteun Throttle control bracket	15.04.02

pos.	qty	part	benaming	description
1	1	STM8180	Steun	Support
2	3	STM1610	Bout M8x25	Bolt M8x25
3	3	STM1019	Gegolfde veerring M8	Wave spring washer M8
4	1	STM8182	As	Spindle
5	1	STM8181	Hefboom	Lever
6	1	STM8210	Ring M12	Washer M12
7	1	STM6533	Zelfborgende moer M8	Nyloc nut M8
8	1	STM1902	Gaskabelnippel	Throttle nipple
9	1	STM8129	Zelfborgende moer M6	Nyloc nut M6
10	2	STM1703	Kabelklem	Cable clamp
11	2	STM1704	Bout M5x25	Bolt M5x25
12	1	STM3749	Ring M8	Washer M8
13	2	STM1706	Kogelgewricht M5	Ball joint M5
14	2	STM1705	Moer M5	Nut M5
15	1	STM8184	Lever	Lever
16	2	STM8183	Verzonken schroef M6x8	Screw M6x8
17	1	STM8178	Draadstuk M5x50	Stud M5x50
18	1	STM1807	Ring M6	Washer M6
19	1	STM6159	Zelfborgende moer M5	Nyloc nut M5
20	1	STM6568	Moer 10-32UNF	Nut 10-32UNF
21	3	STM6561	Bout M8x50	Bolt M8x50
22	1	STM3066	Klem -> 01.01.02	Clamp -> 01.01.02
23	1	STM3355	Bout M8x20 -> 01.01.02	Bolt M8x20 -> 01.01.02
24	1	STM3749	Veerring M8 -> 01.01.02	Spring washer M8 -> 01.01.02
25	1	STM2005	Moer M8 -> 01.01.02	Nut M8 -> 01.01.02

groep/ group	blz./ page	type	omschrijving/description	datum/date
4	1	DT(A) 67	Gasbedieningssteun Throttle control bracket	15.04.02



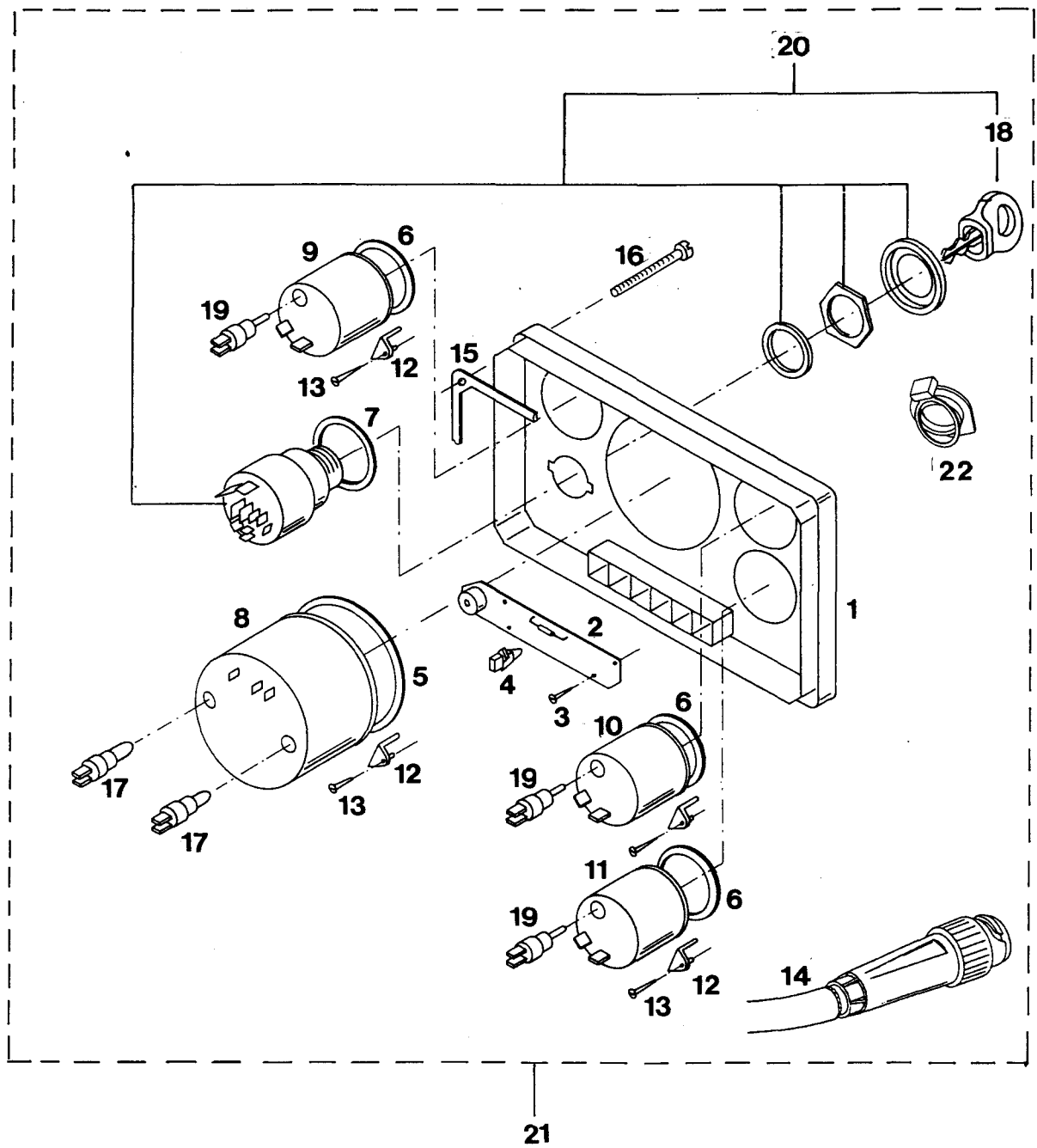
onderdelencatalogus
parts catalogue



groep/ group	blz./ page	type	omschrijving/description	datum/date
4	2	MPR3412	Instrumenten paneel 12V. Instrument panel 12V.	3.10.95

pos.	qty	part	benaming	description
1	1	STM6571	Paneel incl. frontfolie	Panel incl. overlay
2	1	STM9168	Print cpl.	Print cpl.
3	4	P2295RKP	Plaatschroef	Screw
4	6	STM9169	Gloeilamp 12V.	Bulb 12V.
5	1	STM9170	Pakking	Gasket
6	3	STM9171	Pakking	Gasket
7	1	STM9172	Pakking	Gasket
8	1	STM8217	Toeren/Urenteller	Tachometer/hour meter
9	1	STM9177	Voltmeter 12V.	Voltmeter 12V.
10	1	STM9178	Temperatuurmeter	Temperature gauge
11	1	STM9179	Oliedrukmeter	Oil pressure gauge
12	12	PA6488	Beugel	Support
13	12	P35164RKP	Plaatschroef	Screw
14	1	STM6543	Paneelbedrading MPR34	Panel wiring MPR34
15	1	STM9181	Pakking	Gasket
16	4	P35254ZKP	Plaatschroef	Screw
17	2	CT40131	Gloeilamp 12V.	Bulb 12V.
18	1	STM9214	Sleutel	Key
19	3	CT40133	Gloeilamp 12V.	Bulb 12V.
20	1	STM9215	Contactsloot + sleutel	Key-switch + key
21	1	STM8218	Instr. paneel cpl. 12V.	Instr. panel cpl. 12V.
22	1	STM9188	Contactsloot deksel	Key-switch cover

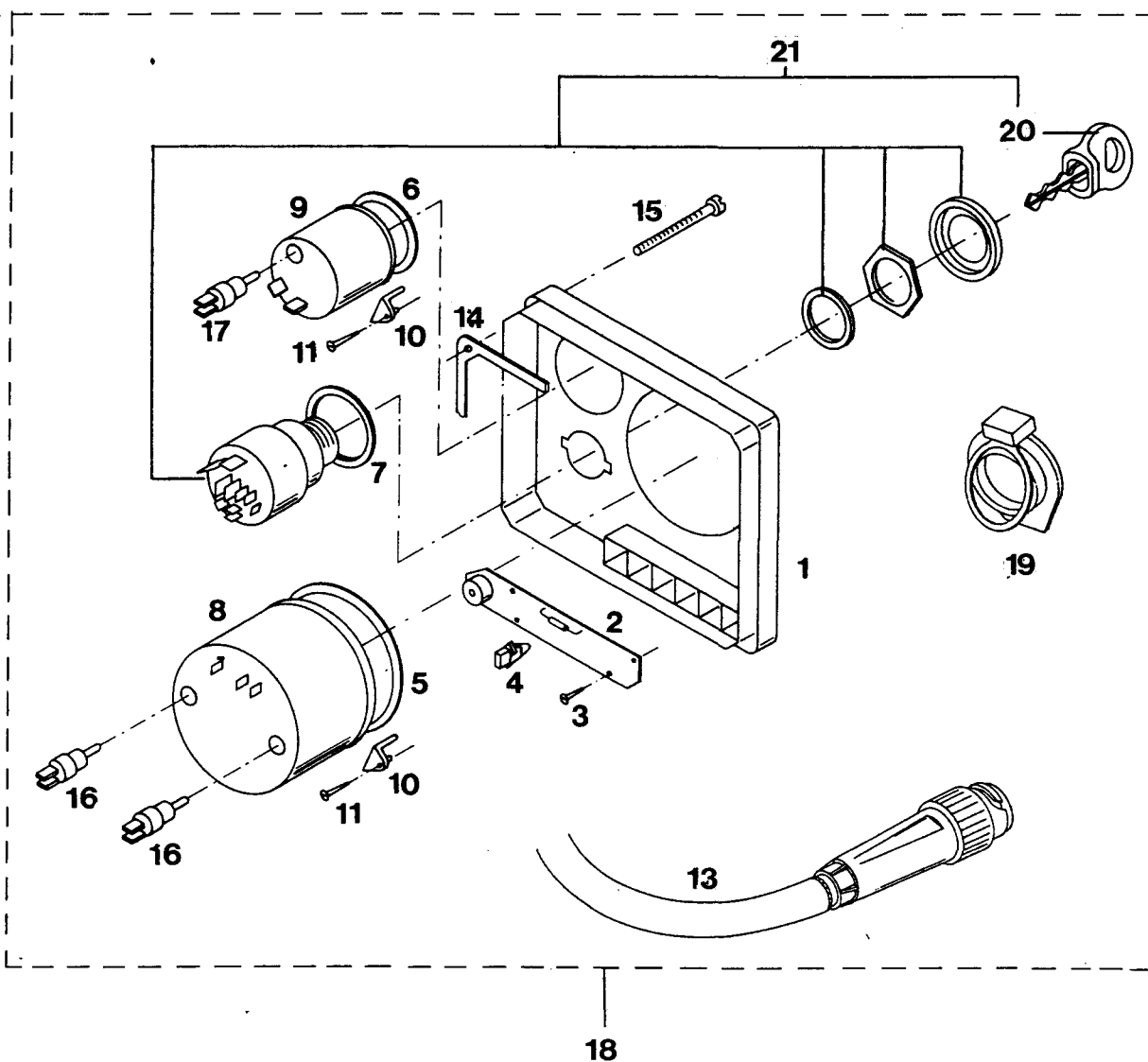
groep/ group	blz./ page	type	omschrijving/description	datum/date
4	2	MPR3412	Instrumenten paneel 12V. Instrument panel 12V.	3.10.95



groep/ group	blz./ page	type	omschrijving/description	datum/date
4	3	MPR2212	Instrumenten paneel 12V. Instrument panel 12V.	3.10.95

pos.	qty	part	benaming	description
1	1	STM9186	Paneel incl. frontfolie	Panel incl.overlay
2	1	STM9168	Print cpl.	Print cpl.
3	4	P2295RKP	Plaatschroef	Screw
4	6	STM9169	Gloeilamp 12V.	Bulb 12V.
5	1	STM9170	Pakking	Gasket
6	1	STM9171	Pakking	Gasket
7	1	STM9172	Pakking	Gasket
8	1	STM8217	Toeren/urenteller	Tachometer/hour counter
9	1	STM9177	Voltmeter 12V.	Voltmeter 12V.
10	6	PA6488	Beugel	Support
11	6	P35164RKP	Plaatschroef	Screw
13	1	STM6204	Kabelboom	Wiring
14	1	STM9180	Pakking	Gasket
15	4	P352542KP	Plaatschroef	Screw
16	2	CT40131	Gloeilamp 12V.	Bulb 12V.
17	1	CT40133	Gloeilamp 12V.	Bulb 12V.
18	1	STM8219	Instr.paneel cpl. 12V.	Instr.panel cpl. 12V.
19	1	STM9188	Contactslootdeksel	Key-switch cover
20	1	STM9214	Sleutel	Key
21	1	STM9215	Slot + sleutel	Lock + Key

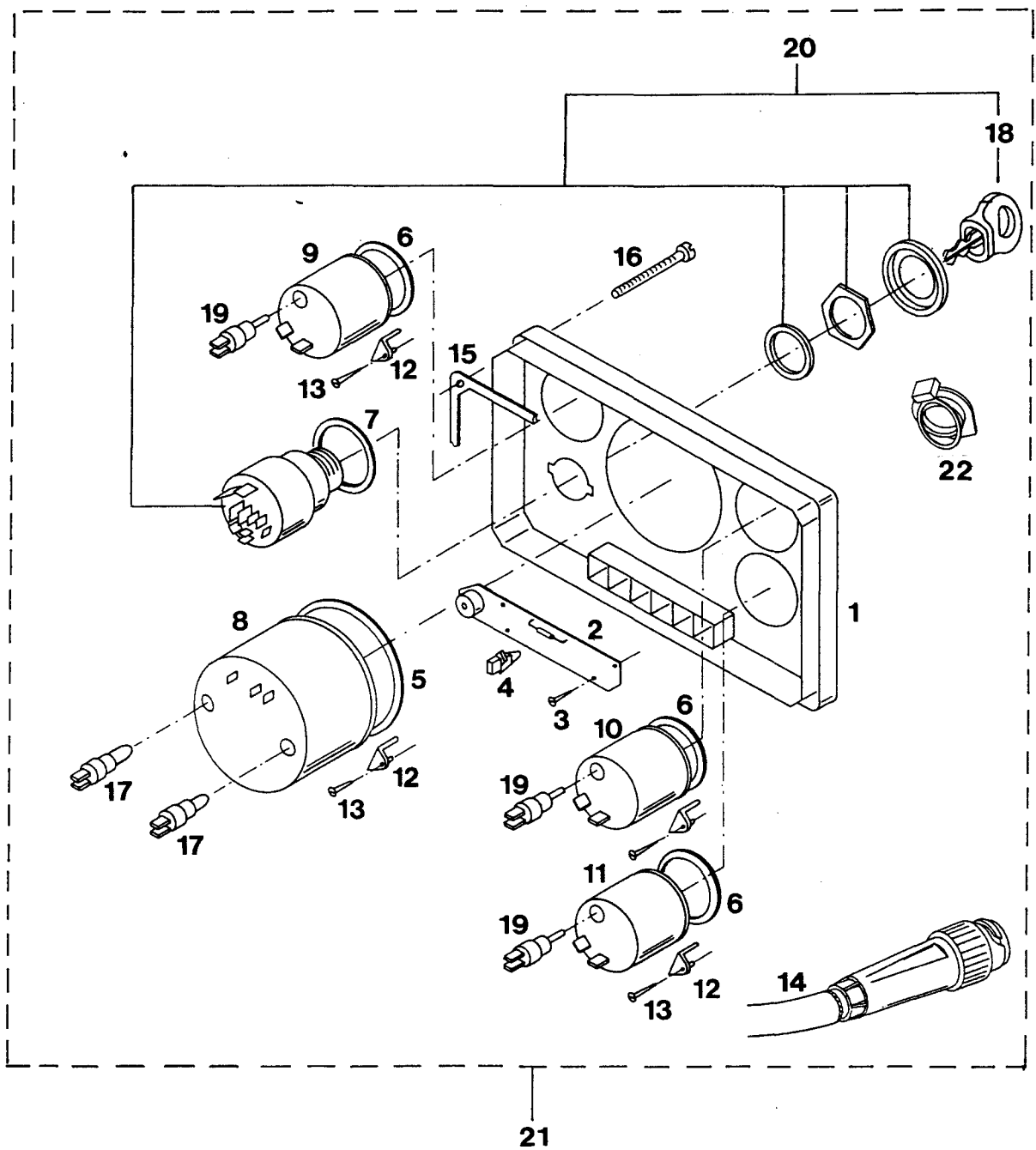
groep/ group	blz./ page	type	omschrijving/description	datum/date
4	3	MPR2212	Instrumenten paneel 12V. Instrument panel 12V.	3.10.95



groep/ group	blz./ page	type	omschrijving/description	datum/date
4	4	MPR3424	Instrumenten paneel 24V. Instrument panel 24V.	26.8.97

pos.	qty	part	benaming	description
1	1	STM6571	Paneel incl. frontfolie	Panel incl. overlay
2	1	STM9168	Print cpl.	Print cpl.
3	4	P2295RKP	Plaatschroef	Screw
4	6	STM9210	Gloeilamp 24V.	Bulb 24V.
5	1	STM9170	Pakking	Gasket
6	3	STM9171	Pakking	Gasket
7	1	STM9172	Pakking	Gasket
8	1	STM8217	Toeren/Urenteller	Tachometer/hour meter
9	1	STM8224	Voltmeter 24V.	Voltmeter 24V.
10	1	STM8735	Temperatuurmeter	Temperature gauge
11	1	STM8734	Oliedrukmeter	Oil pressure gauge
12	12	PA6488	Beugel	Support
13	12	P35164RKP	Plaatschroef	Screw
14	1	STM6543	Paneelbedrading MPR34	Panel wiring MPR34
15	1	STM9181	Pakking	Gasket
16	4	P35254ZKP	Plaatschroef	Screw
17	2	CT40132	Gloeilamp 24V.	Bulb 24V.
18	1	STM9214	Sleutel	Key
19	3	CT40134	Gloeilamp 24V.	Bulb 24V.
20	1	STM9215	Contactsloot + sleutel	Key-switch + key
21	1	STM8296	Instr. panel cpl. 24V.	Instr. panel compl. 24V.
22	1	STM9188	Contactsloot deksel	Key-switch cover

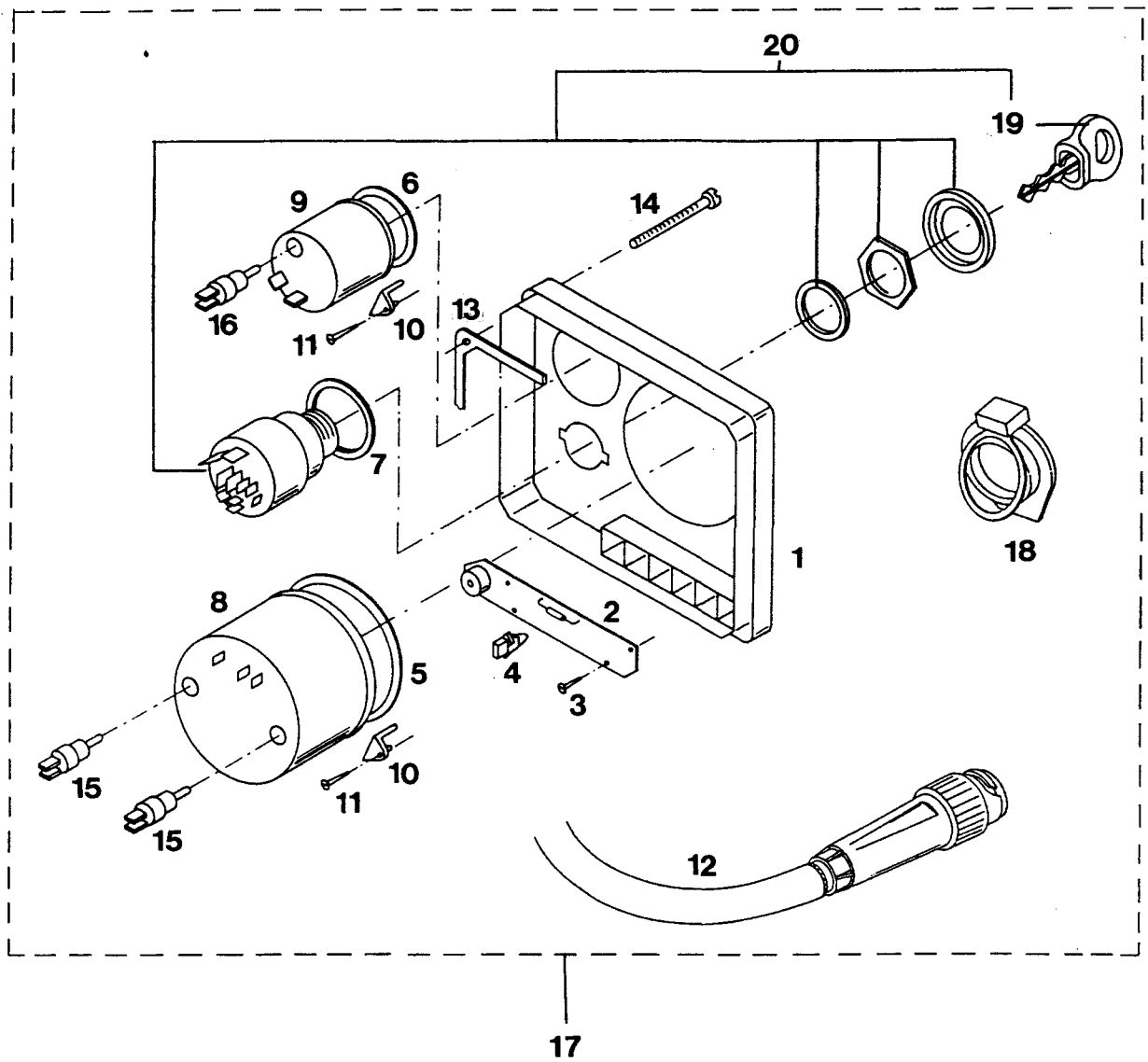
groep/ group	blz./ page	type	omschrijving/description	datum/date
4	4	MPR3424	Instrumenten paneel 24V. Instrument panel 24V.	3.10.95



groep/ group	blz./ page	type	omschrijving/description	datum/date
4	5	MPR2224	Instrumenten paneel 24V. Instrument panel 24V.	3.10.95

pos.	qty	part	benaming	description
1	1	STM9186	Paneel incl. frontfolie	Panel incl. overlay
2	1	STM9168	Print cpl.	Print cpl.
3	4	P2295RKP	Plaatschroef	Screw
4	6	STM9210	Gloeilamp 24V.	Bulb 24V.
5	1	STM9170	Pakking	Gasket
6	1	STM9171	Pakking	Gasket
7	1	STM9172	Pakking	Gasket
8	1	STM8217	Toeren/Urenteller	Tachometer/hour meter
9	1	STM8224	Voltmeter 24V.	Voltmeter 24V.
10	6	PA6488	Beugel	Support
11	6	P35164RKP	Plaatschroef	Screw
12	1	STM6204	Kabelboom	Wiring
13	1	STM9180	Pakking	Gasket
14	4	P352542KP	Plaatschroef	Screw
15	2	CT40132	Gloeilamp 24V.	Bulb 24V.
16	1	CT40134	Gloeilamp 24V.	Bulb 24V.
17	1	STM8297	Instr.paneel cpl. 24V.	Instr.panel cpl. 24V.
18	1	STM9188	Contactslootdeksel	Key-switch cover
19	1	STM9214	Sleutel	Key
20	1	STM9215	Slot + sleutel	Lock + Key

groep/ group	blz./ page	type	omschrijving/description	datum/date
4	5	MPR2224	Instrumenten paneel 24V. Instrument panel 24V.	3.10.95

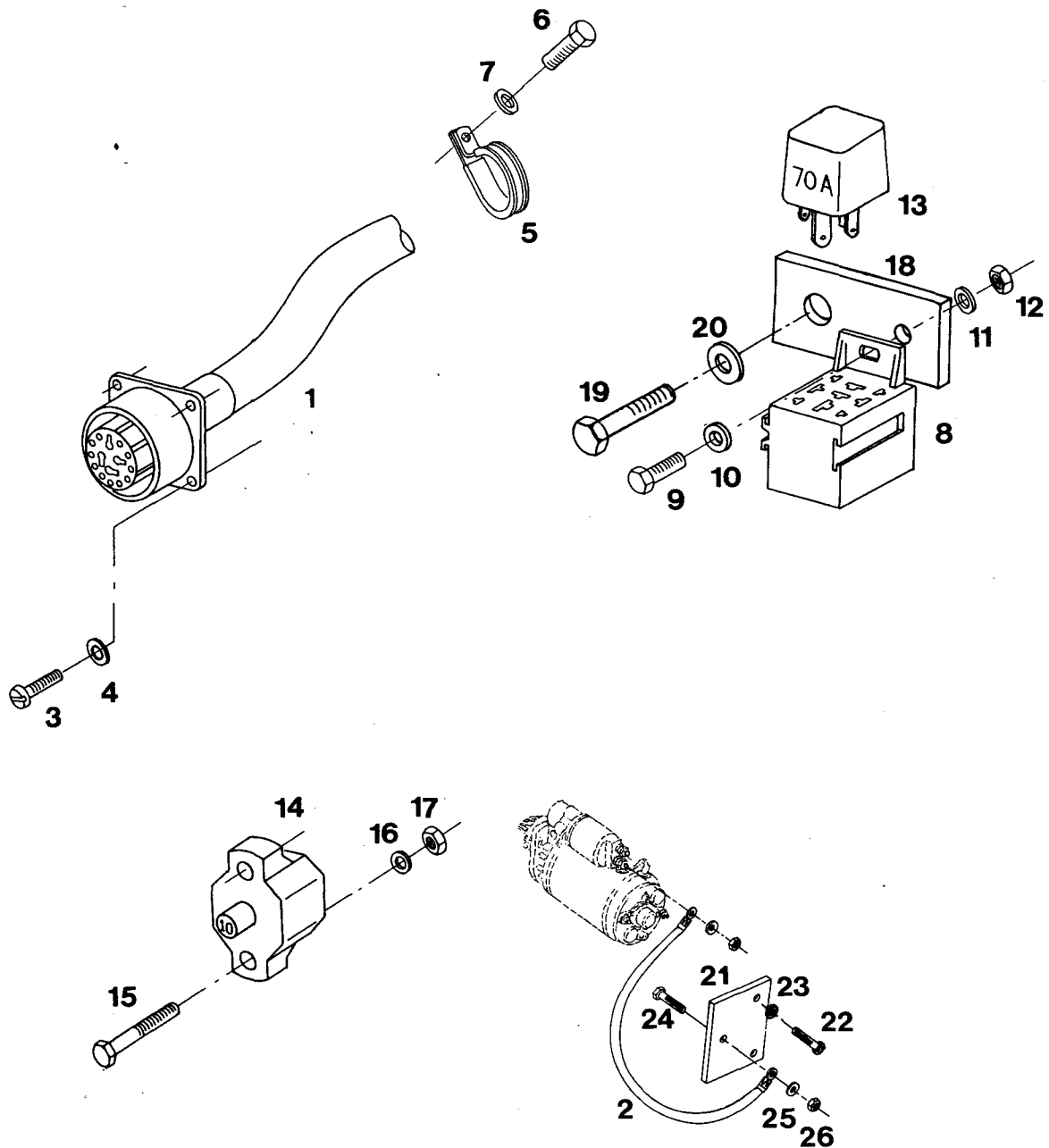


4

groep/ group	blz./ page	type	omschrijving/description	datum/date
4	6	DT67 DTA67	Bedrading Wiring	28.5.96

pos.	qty	part	benaming	description
1	1	STM8221	Motorbedrading enkelpolig DT67-DTA67	Engine wiring loom single-pole DT67-DTA67
	1	STM8222	Motorbedrading dubbelpolig DT67-DTA67	Engine wiring loom dubbel-pole DT67-DTA67
2	1	STM8223	Min-kabel voor STM8222	Minus cable for STM8222
3	4	STM8287	Cilinderschroef M3x10	Slotted head screw M3x10
4	4	STM6143	Veerring M3	Spring washer M3
5	2	STM6305	Klem	Clamp
6	2	STM4055	Bout M8x15	Bolt M8x15
7	2	STM1056	Veerring M8	Spring washer M8
8	1	STM8228	Relaisvoet	Relay foot
9	1	CT40075	Bout M5x16	Bolt M5x16
10	1	STM7047	Ring M5	Washer M5
11	1	STM8177	Veerring M5	Spring washer M5
12	1	STM1705	Moer M5	Nut M5
13	1	STM9043	Relais 12V-70A	Relay 12V-70A
	1	STM8225	Relais 24V-40A	Relay 24V-40A
14	1	STM9054	Automatische zekering	Reset circuit breaker
15	2	STM1704	Bout M5x25	Bolt M5x25
16	2	STM8177	Veerring M5	Spring washer M5
17	2	STM1705	Moer M5	Nut M5
18	1	STM8392	Bevestigingsstrip DTA67	Fastening strip DTA67
19	1	STM4055	Bout M8x15 DTA67	Bolt M8x15 DTA67
20	1	STM1056	Veerring M8 DTA67	Spring washer M8 DTA67
21	1	STM8298	Isolatie plaat	Insulation plate
22	2	STM7077	Bout M12x30	Bolt M12x30
23	2	STM4003	Veerring M12	Spring washer M12
24	1	CT40031	Bout M10x35	Bolt M10x35
25	1	CT40032	Ring M10	Washer M10
26	1	CT40033	Moer M10	Nut M10

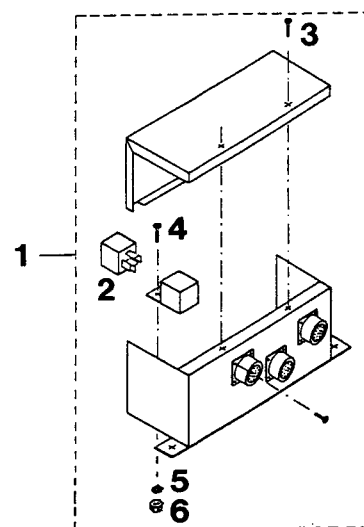
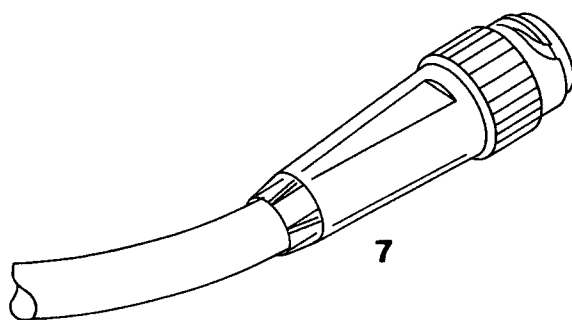
groep/ group	blz./ page	type	omschrijving/description	datum/date
4	6	DT67 DTA67	Bedrading Wiring	28.5.96



groep/ group	blz./ page	type	omschrijving/description	datum/date
4	7	DT67 DTA67	Bedrading Wiring	3.10.95

pos.	qty	part	benaming	description
1	1	STM6548	T-stuk compl. 12V. optie	T-connector cpl. 12V. option
	1	STM8294	T-stuk compl. 24V. optie	T-connector cpl. 24V. option
2	1	STM9050	Relais 12V-30A.	Relay 12V-30A.
	1	STM8295	Relais 24V-20A.	Relay 24V-20A.
3	14	STM6549	Plaatschroef	Screw
4	1	STM6596	Bout M3x8	Bolt M3x8
5	1	STM6143	Veerring M3	Spring washer M3
6	1	STM6144	Moer M3	Nut M3
7	1	STM6222	Tussenkabel 2 mtr. optie	Intermediate cable 2 mtr. option
	1	STM6223	Tussenkabel 4 mtr. optie	Intermediate cable 4 mtr. option
	1	STM6224	Tussenkabel 6 mtr. std.	Intermediate cable 6 mtr. std.
	1	STM6225	Tussenkabel 12 mtr. optie	Intermediate cable 12 mtr. option

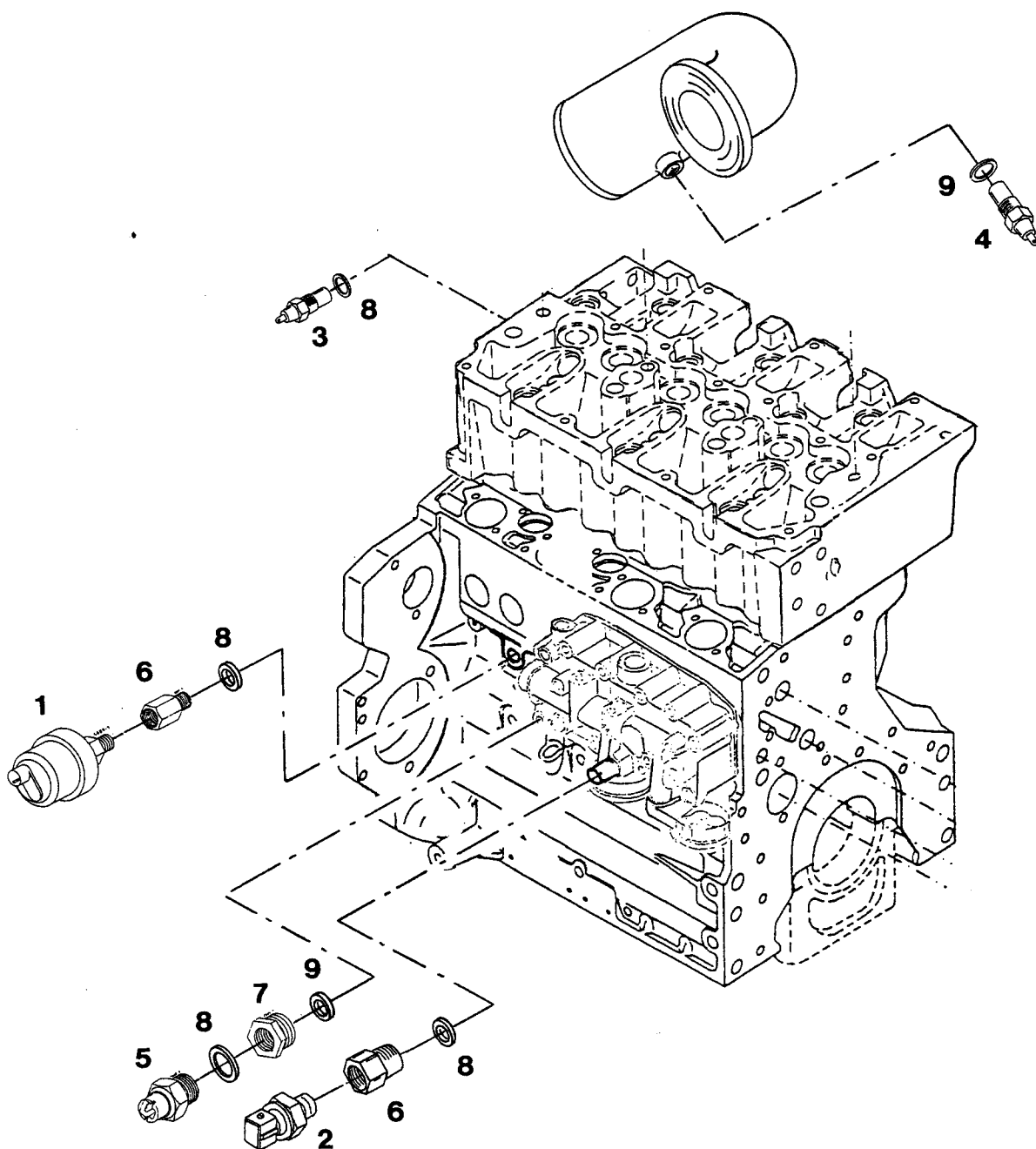
groep/ group	blz./ page	type	omschrijving/description	datum/date
4	7	DT67 DTA67	Bedrading Wiring	3.10.95



groep/ group	blz./ page	type	omschrijving/description	datum/date
4	8	DT67 DTA67	Zenders+schakelaars enkelpolig Senders+switches single-pole	28.5.96

pos.	qty	part	benaming	description
1	1	CT40083	Olgedrukkzender OILSR08 M10x1k 12-24V. 0-8bar	Oilpressure sender OILSR08 M10x1k 12-24V. 0-8bar
2	1	CT40084	Olgedrukschakelaar OPSO751 M10x1k 12-24V. 0,75bar	Oilpressure switch OPSO751 M10x1k 12-24V. 0.75bar
3	1	STM8322	Binnenwatertemp. schakelaar M14x1,5 12-24V. 105°	Coolant temperature switch M14x1.5 12-24V. 105°
4	1	STM2006	Buitenwatertemp. schakelaar M18x1,5 12-24V. 75°C	Raw water temp.switch M18x1.5 12-24V. 75°C
5	1	STM8326	Binnenw.temp.zender TEMPSR120 M14x1,5 12-24V. 40-120°C	Coolant temp. sender TEMPSR120 M14x1.5 12-24V. 40-120°C
6	2	STM8323	Verloopnippel AD10-14 M10x1k-M14x1,5	Adaptor AD10-14 M10x1k-M14x1.5
7	1	STM8324	Verloopnippel AD14-18 M14x1,5-M18x1,5	Adaptor AD14-18 M14x1.5-M18x1.5
8	4	STM1062	Afdichtring M14	Sealing washer M14
9	2	STM2019	Afdichtring M18	Sealing washer M18

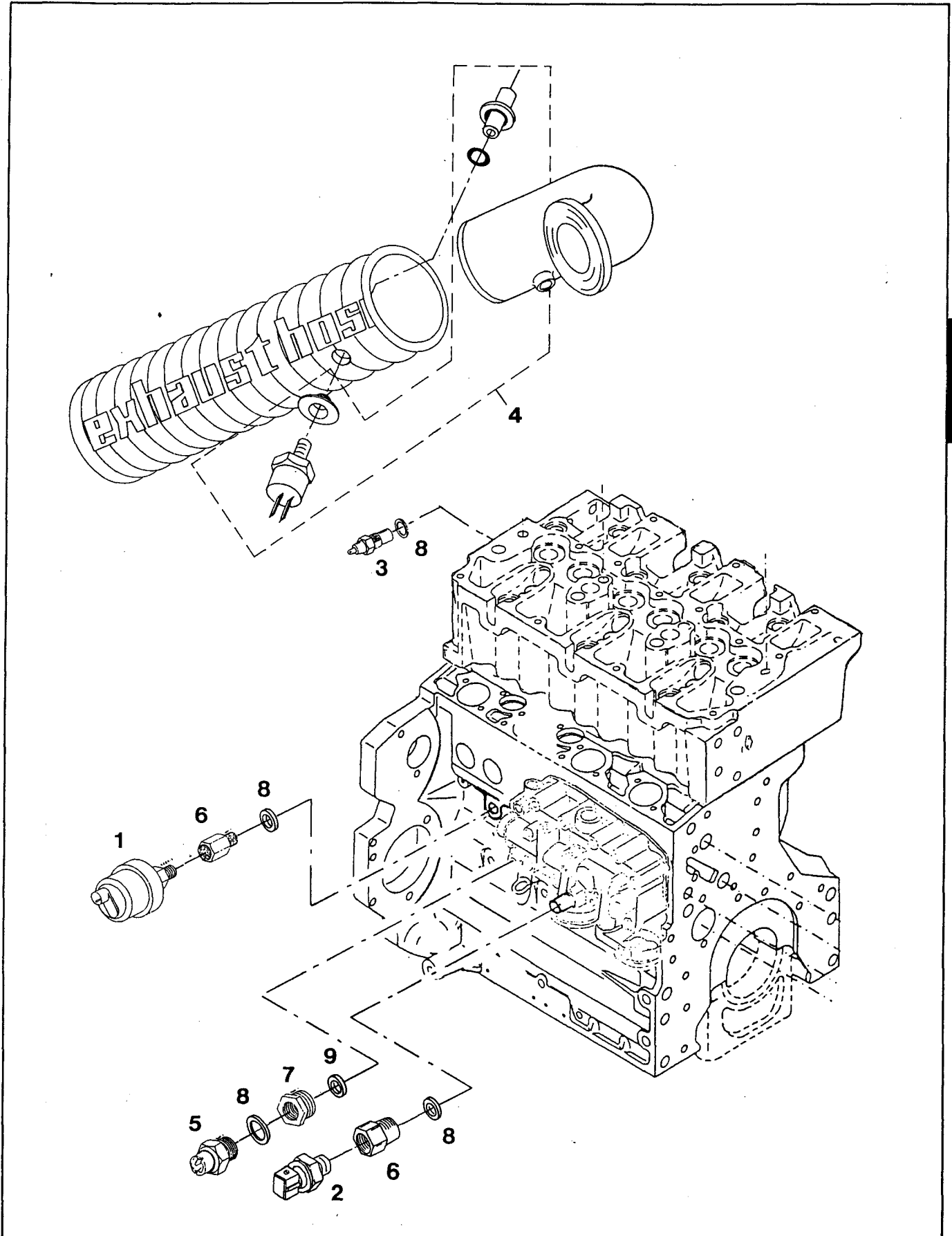
groep/ group	blz./ page	type	omschrijving/description	datum/date
4	8	DT67-DTA67	Zenders+schakelaars enkelpolig Senders+switches single-pole	28.5.96



groep/ group	blz./ page	type	omschrijving/description	datum/date
4	9	DT67 DTA67	Zenders+schakelaars dubbelpolig Senders+switches double-pole	28.5.96

pos.	qty	part	benaming	description
1	1	CT40115	Oliedrukzender OILSR082 M10x1k 12-24V. 0-8bar	Oilpressure sender OILSR082 M10x1k 12-24V. 0-8bar
2	1	CT40085	Oliedrukschakelaar OPSO752 M10x1k 12-24V. 0,75bar	Oilpressure switch OPSO752 M10x1k 12-24V. 0.75bar
3	1	STM8325	Binnenwatertemp. schakelaar M14x1,5 12-24V. 105°	Coolant temperature switch M14x1.5 12-24V. 105°
4	1	STM9196	Buitenwatertemp. schakelaar M18x1,5 12-24V. 71°C	Raw water temp.switch M18x1.5 12-24V. 71°C
5	1	STM8327	Binnenw.temp.zender TEMPSR122 M14x1,5 12-24V. 40-120°C	Coolant temp. sender TEMPSR122 M14x1.5 12-24V. 40-120°C
6	2	STM8323	Verloopnippel AD10-14 M10x1k-M14x1,5	Adaptor AD10-14 M10x1k-M14x1.5
7	1	STM8324	Verloopnippel AD14-18 M14x1,5-M18x1,5	Adaptor AD14-18 M14x1.5-M18x1.5
8	4	STM1062	Afdichtring M14	Sealing washer M14
9	1	STM2019	Afdichtring M18	Sealing washer M18

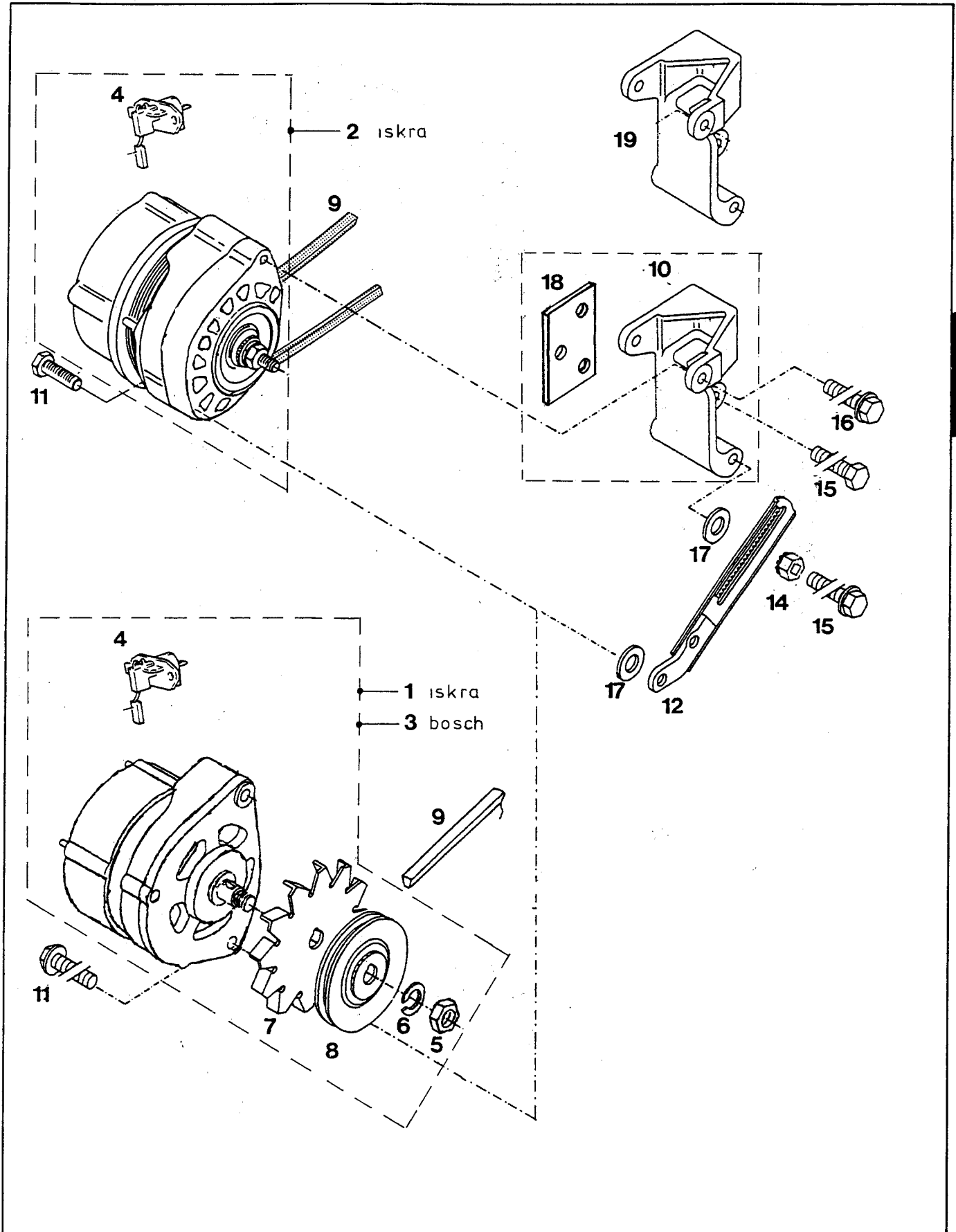
groep/ group	blz./ page	type	omschrijving/description	datum/date
4	9	DT67 DTA67	Zenders+schakelaars dubbelpolig Senders+switches double-pole	28.5.96



groep/ group	blz./ page	type	omschrijving/description	datum/date
4	10	DT67 DTA67	Dynamo's Alternators	9.12.97

pos.	qty	part	benaming	description
1	1	STM8781	Dynamo 12V-95A 1p Bosch	Alternator 12V-95A 1p Bosch
2	1	STM8660	Dynamo 12V-95A 1p Iskra	Alternator 12V-95A 1p Iskra
	1	STM8661	Dynamo 12V-95A 2p Iskra	Alternator 12V-95A 2p Iskra
3	1	STM8662	Dynamo 24V-55A 1p Iskra	Alternator 24V-55A 1p Iskra
	1	STM8663	Dynamo 24V-55A 2p Iskra	Alternator 24V-55A 2p Iskra
4	1	VD40017	Spanningsregelaar 14V-95A 1p Bosch	Voltage regulator 14V-95A 1p Bosch
	1	STM8666	Spanningsregelaar 14V-95A 1p Iskra	Voltage regulator 14V-94A 1p Iskra
	1	STM8667	Spanningsregelaar 14V-95A 2p Iskra	Voltage regulator 14V-95A 2p Iskra
	1	STM8668	Spanningsregelaar 28V-55A 1p Iskra	Voltage regulator 28V-55A 1p Iskra
	1	STM8669	Spanningsregelaar 28V-55A 2p Iskra	Voltage regulator 28V-55A 2p Iskra
5	1	VD40002	Moer M16x1,5	Nut M16x1.5
6	1	VD40003	Ring	Spring washer
7	1	VD40004	Waaier	Fan
8	1	VD40005	V-snaar pulley	V-grooved pulley
9	1	STM8533	V-snaar	V-belt
10	1	VD40029	Steun	Bracket
11	1	STM1610	Bout M8x25	Bolt M8x25
12	1	VD40031	Spansteun	Clamping strap
13	1	VD40032	Moer	Pinion
14	1	VD20178	Bout M8x30	Bolt M8x30
15	3	VD40034	Bout M10x35	Bolt M10x35
16	1	VD20252	Bout M8x75	Bout M8x75
17	2	VD40036	Ring	Plain washer
18	1	STM8399	Vulling 7mm	Spacer 7mm
19	1	STM8763	Steun	Support

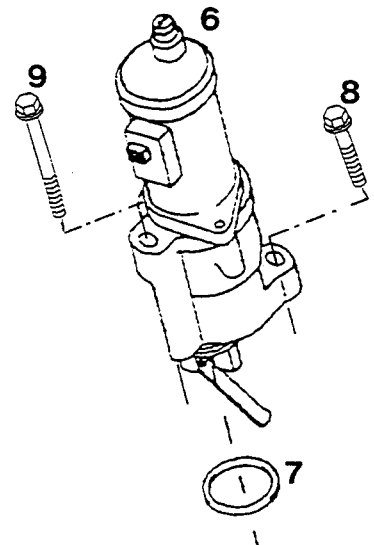
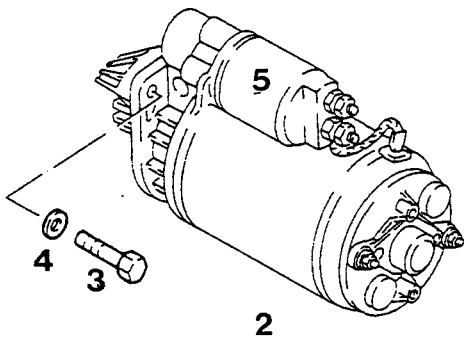
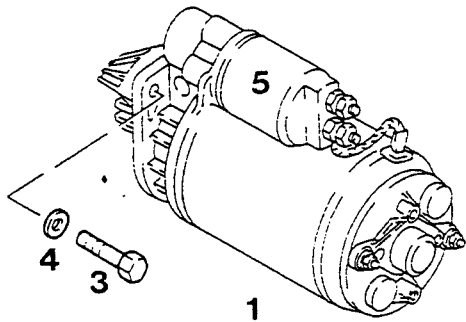
groep/ group	blz./ page	type	omschrijving/description	datum/date
4	10	DT67 DTA67	Dynamo's Alternators	4.7.97



groep/ group	blz./ page	type	omschrijving/description	datum/date
4	11	DT67 DTA67	Starmotor Starter motor	9.12.97

pos.	qty	part	benaming	description
1	1	STM8782	Startmotor Bosch 12V-3,1KW 1p	Starter motor Bosch 12V-3.1KW 1p
	1	STM8783	Startmotor Bosch 24V-4KW 1p	Starter motor Bosch 24V-4KW 1p
2	1	STM8652	Startmotor Iskra 12V-3,1KW 1p	Starter motor Iskra 12V-3.1KW 1p
	1	STM8653	Startmotor Iskra 12V-3,1KW 2p	Starter motor Iskra 12V-3.1KW 2p
	1	STM8654	Startmotor Iskra 24V-4KW 1p	Starter motor Iskra 24V-4KW 1p
	1	STM8655	Startmotor Iskra 24V-4KW 2p	Starter motor Iskra 24V-4KW 2p
3	3	VD40039	Bout M10x38	Bolt M10x38
4	3	VD40040	Ring M10	Washer M10
5	1	STM8784	Relais 12V 1p Bosch	Relay 12V 1p Bosch
	1	STM8785	Relais 24V 1p Bosch	Relay 24V 1p Bosch
	1	STM8676	Relais 12V 1P Iskra	Relay 12V 1p Iskra
	1	STM8670	Relais 12V 2p Iskra	Relay 12V 2p Iskra
	1	STM8677	Relais 24V 1p Iskra	Relay 24V 1p Iskra
	1	STM8771	Relais 24V 2p Iskra	Relay 24V 2p Iskra
6	1	STM8674	Stopsolenoid 12V	Shutdown device 12V
	1	STM8675	Stopsolenoid 24V	Shutdown device 24V
7	1	VD40042	O-ring 26x3	O-seal 26x3
8	1	VD40043	Bout M8x65	Bolt M8x65
9	1	VD20186	Bout M8X20	Bolt M8x20

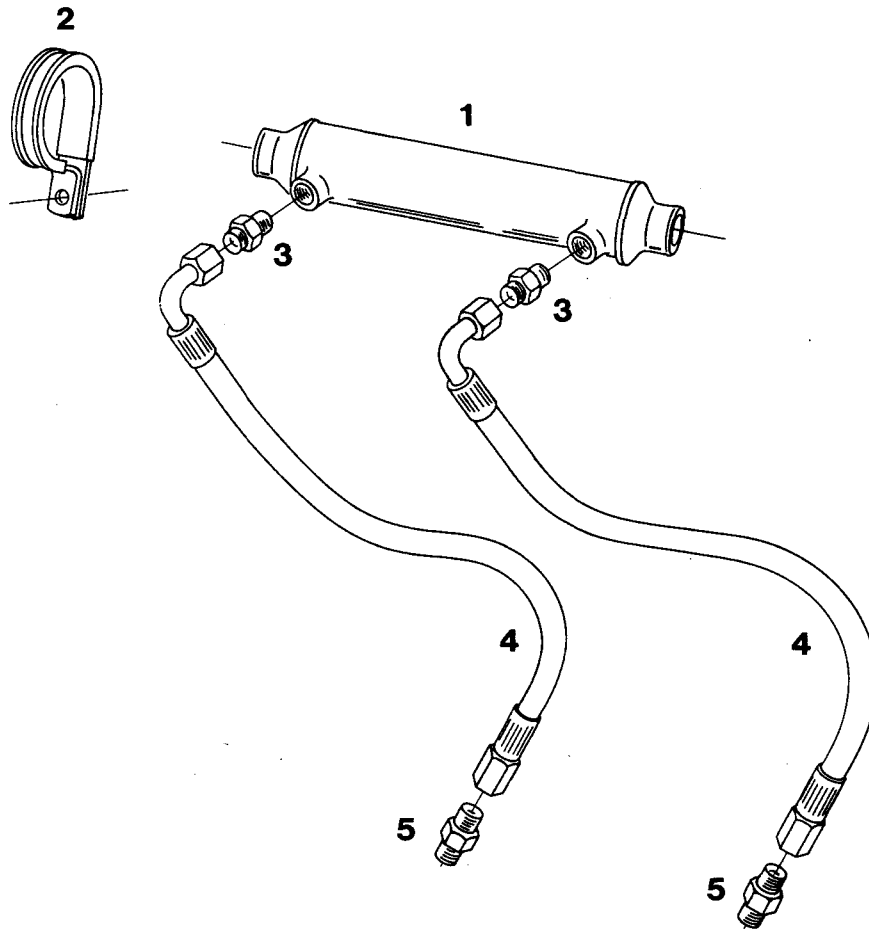
groep/ group	blz./ page	type	omschrijving/description	datum/date
4	11	DT67 DTA67	Startmotor Starter motor	4.7.97



groep/ group	blz./ page	type	omschrijving/description	datum/date
5	1	DT67 DTA67	Oliekoeler Oil cooler	3.10.95

pos.	qty	part	benaming	description
1	1	STM3771	Oliekoeler 9"x ϕ 55-G ³ / ₈ Slangaansluiting ϕ 33	Oilcooler 9"x ϕ 55-G ³ / ₈ Connection for hose ϕ 33
2	2	STM8208	Klem ϕ 55 RSGU1.55/25W1	Clamp ϕ 55 RSGU1.55/25W1
3	2	STM3491	Nippel G ³ / ₈ -M16	Nipple G ³ / ₈ -M16
4	2	CT50079	Slang l=550	Hose l=550
5	2	STM3491	Nippel M16-G ³ / ₈ Hurth Borgwarner PRM	Nipple M16-G ³ / ₈ Hurth Borgwarner PRM
	2	CT30112	Nippel M16-G ¹ / ₂ MPM Twin-disc	Nipple M16-G ¹ / ₂ MPM Twin-disc

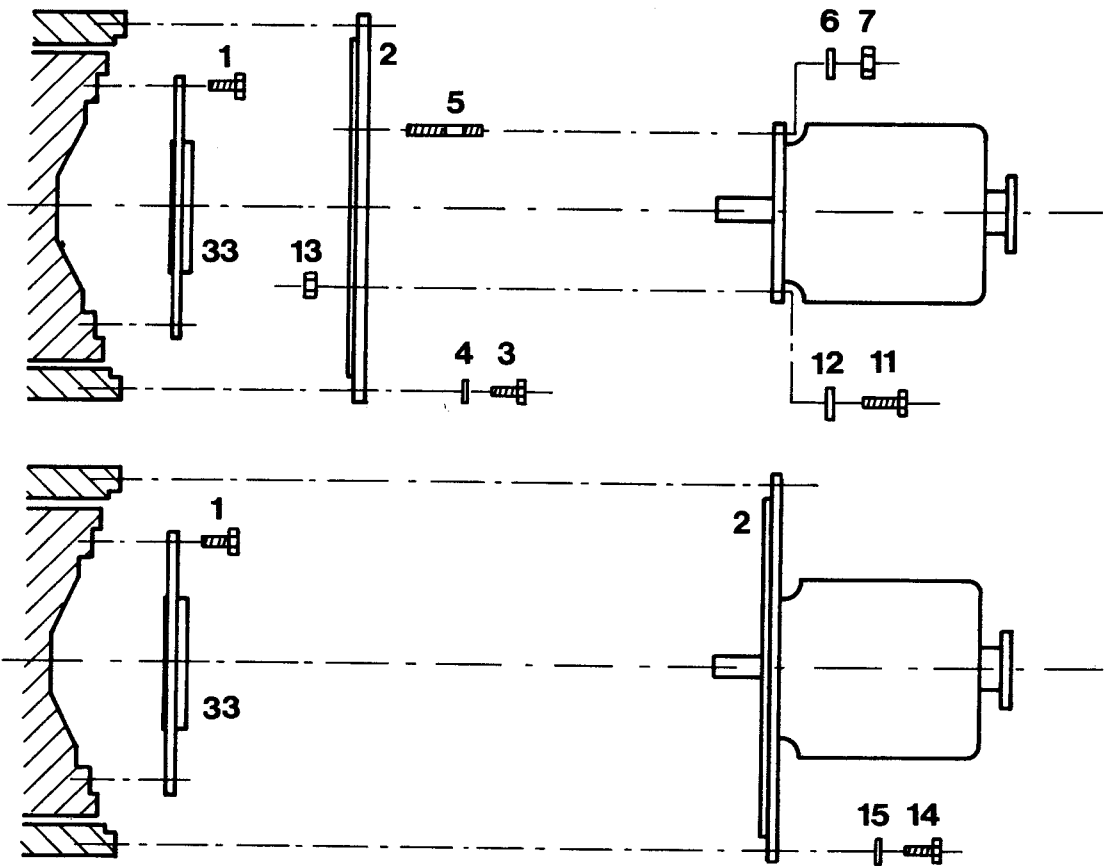
groep/ group	blz./ page	type	omschrijving/description	datum/date
5	1	DT67 DTA67	Oliekoeler Oil cooler	3.10.95



groep/ group	blz./ page	type	omschrijving/description	datum/date
5	2	DT67 DTA67	Montagedelen keerkoppeling Mounting parts gearbox	9.12.97

pos.	qty	part	benaming	description
HSW630				
1	8	STM9003	Tapbout M10x25	Bolt M10x25
2	1	CT50021	Adapterplaat	Adaptorplate
3	10	STM9003	Tapbout M10x25	Bolt M10x25
4	10	STM4014	Veerring M10	Spring washer M10
5	6	CT50002	Tapeind M12x30	Stud M12x30
6	6	STM4003	Gegolfde veerring M12	Wave spring washer M12
7	6	STM7031	Moer M12	Nut M12
33	1	STM8278	Demperplaat	Damperplate
HSW800 vanaf 5-96				
1	8	STM9003	Tapbout M10x25	Bolt M10x25
14	10	STM9003	Tapbout M10x25	Bolt M10x25
15	10	STM4014	Veerring M10	Spring washer M10
33	1	STM8278	Demperplaat	Damperplate
HSW800 tot 5-96				
1	8	STM9003	Tapbout M10x25	Bolt M10x25
2	1	CT50021	Adapterplaat	Adaptorplate
3	10	STM9003	Tapbout M10x25	Bolt M10x25
4	10	STM4014	Veerring M10	Spring washer M10
5	6	CT50002	Tapeind M12x30	Stud M12x30
6	6	STM4003	Gegolfde veerring M12	Wave spring washer M12
7	6	STM7031	Moer M12	Nut M12
33	1	STM8278	Demperplaat	Damperplate
BW71-72				
1	8	STM9003	Tapbout M10x25	Bolt M10x25
2	1	CT50021	Adapterplaat	Adaptorplate
3	10	STM9003	Bout M10x25	Bolt M10x25
4	10	STM4014	Veerring M10	Spring washer M10
11	6	STM1612	Bout M10x100	Bolt M10x100
12	6	STM4014	Veerring M10	Spring washer M10
13	6	STM4018	Moer M10	Nut M10
33	1	STM8273	Demperplaat	Damperplate
BW7000				
1	8	STM8216	Inbusbout M10x16	Socket screw M10x16
2	1	CT50037	Adapterplaat	Adaptorplate
3	10	STM9003	Bout M10x25	Bolt M10x25
4	10	STM4014	Veerring M10	Spring washer M10
11	6	STM1612	Bout M10x100	Bolt M10x100
12	6	STM4014	Veerring M10	Spring washer M10
13	6	STM4018	Moer M10	Nut M10
33	1	CT50038	Demperplaat	Damperplate

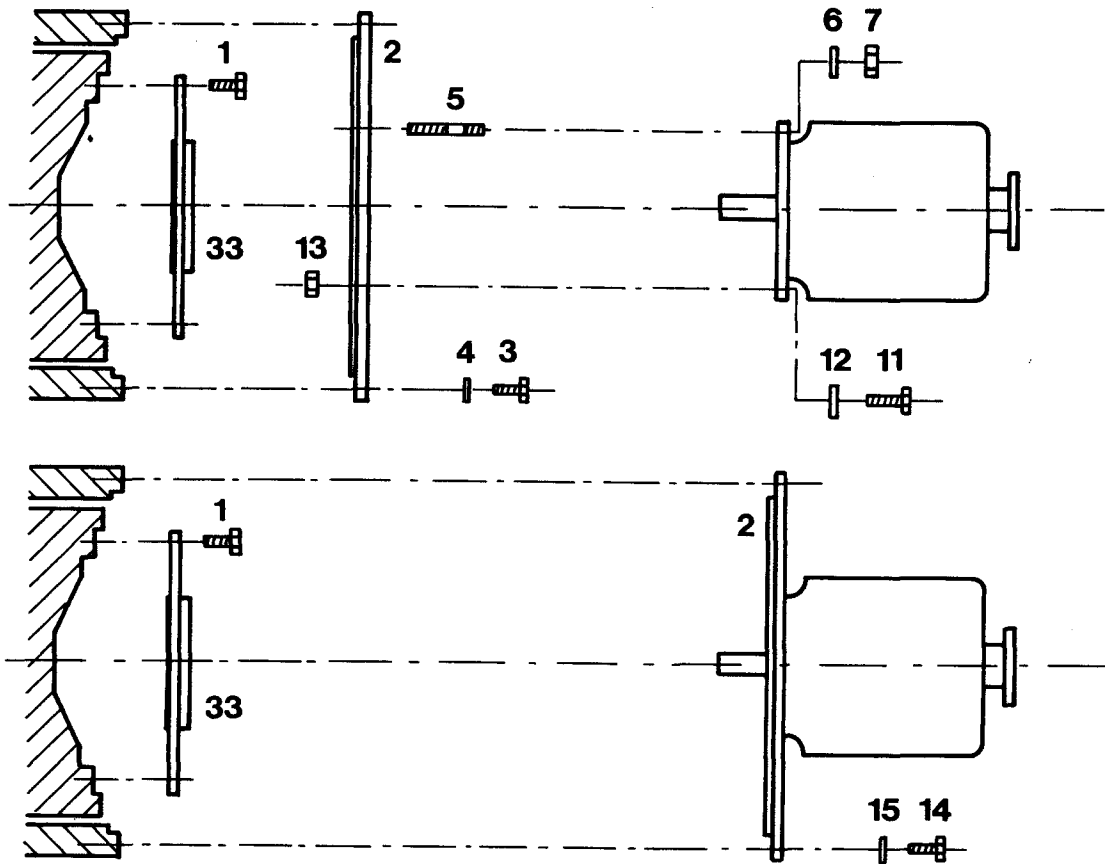
groep/ group	blz./ page	type	omschrijving/description	datum/date
5	2	DT67 DTA67	Montagedelen keerkoppeling Mounting parts gearbox	28.5.96



groep/ group	blz./ page	type	omschrijving/description	datum/date
5	3	DT67 DTA67	Montagedelen keerkoppeling Mounting parts gearbox	3.10.95

pos.	qty	part	benaming	description
PRM500D-750D				
1	8	STM8216	Inbusbout M10x16	Socket screw M10x16
2	1	CT50026	Adapterplaat	Adaptorplate
3	10	STM9003	Bout M10x25	Bolt M10x25
4	10	STM4014	Veerring M10	Spring washer M10
11	5	STM7077	Bout M12x30	Bolt M12x30
12	5	STM4003	Gegolfde veerring M12	Wave spring washer M12
33	1	CT50027	Demperplaat	Damperplate
	1	STM8777	Demperplaat	Damperplate
PRM1000D				
1	8	STM8216	Inbusbout M10x16	Socket screw M10x16
2	1	CT50036	Adapterplaat	Adaptorplate
3	10	STM9003	Bout M10x25	Bolt M10x25
4	10	STM4014	Veerring M10	Spring washer M10
11	5	STM7077	Bout M12x30	Bolt M12x30
12	5	STM4003	Gegolfde veerring M12	Wave spring washer M12
33	1	CT50035	Demperplaat	Damperplate
MG502				
1	8	STM8216	Inbusbout M10x16	Socket screw M10x16
2	1	CT50028	Adapterplaat	Adaptorplate
3	10	STM9003	Bout M10x25	Bolt M10x25
4	10	STM4014	Veerring M10	Spring washer M10
11	8	CT50078	Bout 7/16"UNCx1 1/2"	Bolt 7/16"UNCx1 1/2"
12	8	STM4056	Gegolfde veerring M12	Wave spring washer M12
33	1	STM8278	Demperplaat	Damperplate
MG506				
1	8	STM8216	Inbusbout M10x16	Socket screw M10x16
14	10	STM4016	Bout M10x20	Bolt M10x20
15	10	STM4014	Veerring M10	Spring washer M10
33	1	STM8278	Demperplaat	Damperplate
MG507				
1	8	STM8216	Inbusbout M10x16	Socket screw M10x16
14	10	STM4016	Bout M10x20	Bolt M10x20
15	10	STM4014	Veerring M10	Spring washer M10
33	1	CT50047	Demperplaat	Damperplate
IRM				
1	8	STM8216	Inbusbout M10x16	Socket screw M10x16
2	1	CT50031	Adapterplaat	Adapterplate
14	10	STM9003	Bout M10x25	Bolt M10x25
15	10	STM4014	Veerring M10	Spring washer M10
33	1	STM8278	Demperplaat	Damperplate

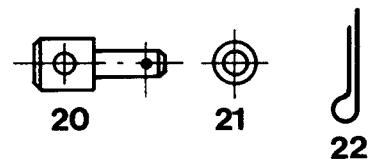
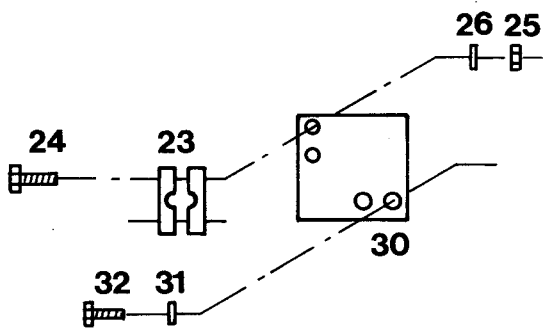
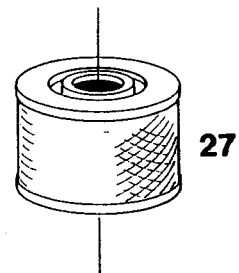
groep/ group	blz./ page	type	omschrijving/description	datum/date
5	3	DT67 DTA67	Montagedelen keerkoppeling Mounting parts gearbox	3.10.95



groep/ group	blz./ page	type	omschrijving/description	datum/date
5	4	DT67 DTA67	Bediening keerkoppeling Operation parts gearbox	3.10.95

pos.	qty	part	benaming	description
30	1	STM8286	Steun trek-drukkabel	Support HSW630
31	2	STM1056	Veerring M8	Spring washer M8
32	2	STM3355	Bout M8x20	Bolt M8x20
30	1	CT40078	Steun trek-drukkabel	Support HSW800 tot 5-96
31	2	STM1056	Veerring M8	Spring washer M8
32	2	STM3355	Bout M8x20	Bolt M8x20
30	1	STM8280	Steun trek-drukkabel	Support HSW800 vanaf 5-96
31	2	STM1056	Veerring M8	Spring washer M8
32	2	STM3355	Bout M8x20	Bolt M8x20
30	1	CT40095	Steun trek-drukkabel	Support BW71-72
31	2	STM1056	Veerring M8	Spring washer M8
32	2	STM3355	Bout M8x20	Bolt M8x20
30	1	CT40058	Steun trek-drukkabel	Support PRM500D-750D-1000D
31	2	STM1056	Veerring M8	Spring washer M8
32	2	STM3355	Bout M8x20	Bolt M8x20
30	1	CT40059	Steun trek-drukkabel	Support MG502-506-507
31	2	STM1056	Veerring M8	Spring washer M8
32	2	STM3355	Bout M8x20	Bolt M8x20
30	1	CT40102	Steun trek-drukkabel	Support BW7000
31	2	STM1056	Veerring M8	Spring washer M8
32	2	STM3355	Bout M8x20	Bolt M8x20
30	1	CT40096	Steun trek-drukkabel	Support IRM220
31	2	STM1056	Veerring M8	Spring washer M8
32	2	STM3355	Bout M8x20	Bolt M8x20
30	1	CT40159	Steun DS-unit	Support DS-unit IRM220
31	2	STM1056	Veerring M8	Spring washer M8
32	2	STM3355	Bout M8x20	Bolt M8x20
20	1	STM1806	Kabelnippel	Cable nipple
21	1	STM1807	Ring M6	Washer M6
22	1	STM1808	Splitpen	Split pin
23	1	STM1703	Kabelklem	Cable clamp
24	2	STM1704	Bout M5x25	Bolt M5x25
25	2	STM1705	Moer M5	Nut M5
26	2	STM1707	Veerring M5	Spring washer M5
27	1	CT50081	Oliefilter HSW450/630/800	Oilfilter HSW 450/630/800

groep/ group	blz./ page	type	omschrijving/description	datum/date
5	4	DT67 DTA67	Bediening keerkoppeling Operation parts gearbox	3.10.95



groep/ group	blz./ page	type	omschrijving/description	datum/date
5	5	DT67 DTA67	Overzicht keerkoppelingen Index reverse gearboxes	3.10.95

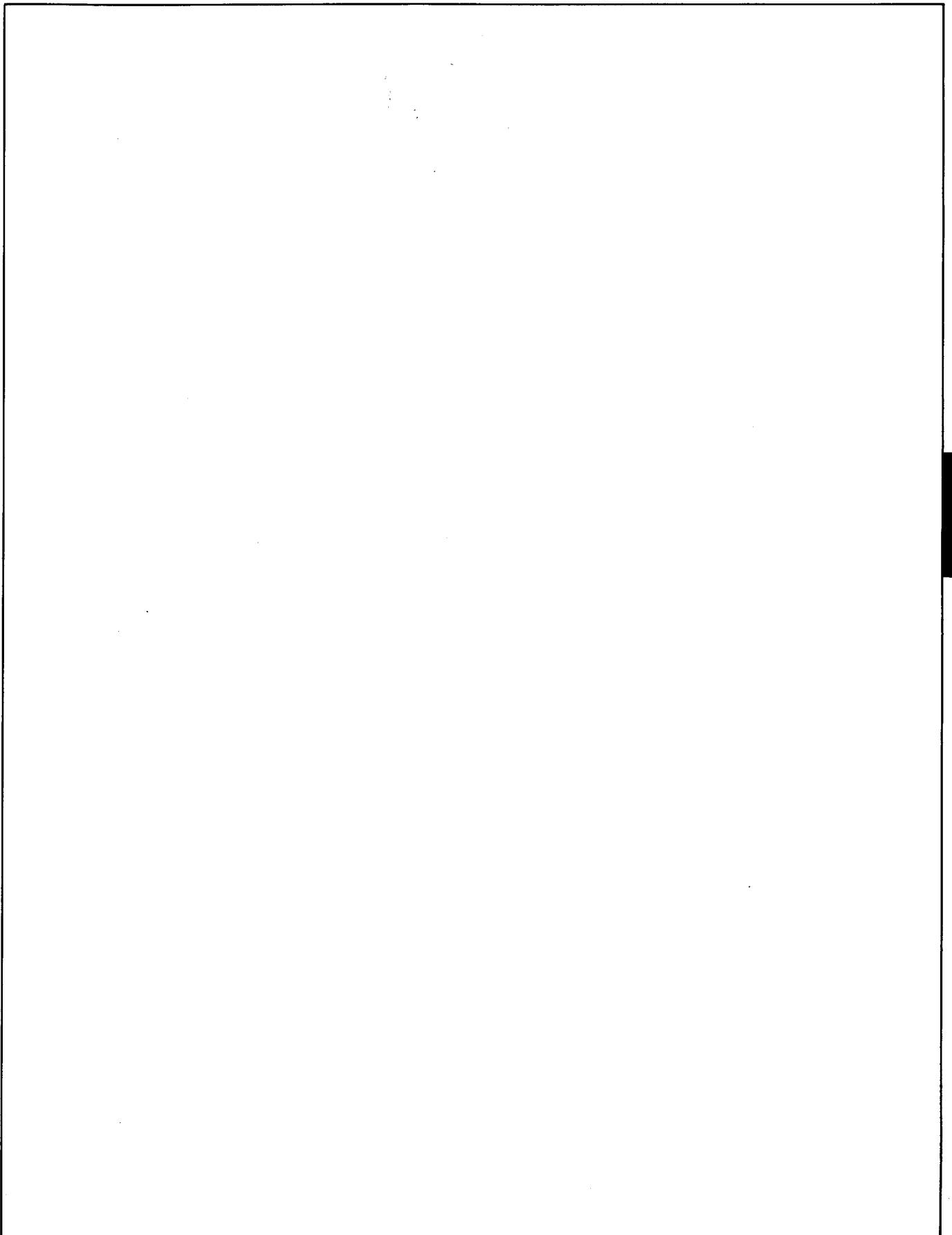
pos.	qty	part	benaming	description
		HURTH		Forward/Reverse
		CT50620	HSW630	1.22/1.25:1
		CT50621	HSW630	1.58/1.58:1
		CT50622	HSW630	2.04/2.05:1
		CT50630	HSW630A	1.22/1.21:1
		CT50631	HSW630A	1.56/1.58:1
		CT50632	HSW630A	2.04/2.10:1
		CT50801	HSW800A	1.57/1.56:1
		CT50802	HSW800A	1.96/1.95:1
		CT50805	HSW800A	2.50/2.46:1
		CT50803	HSW800A	2.85/2.80:1
		PRM		
		CT50371	PRM500 basic D	1.46:1
		CT50372	PRM500 basic D	1.94:1
		CT50375	PRM500 basic D	2.57:1
		CT50373	PRM500 basic D	2.90:1
		CT50381	PRM 500 8°	1.46:1
		CT50382	PRM 500 8°	1.94:1
		CT50385	PRM 500 8°	2.57:1
		CT50383	PRM 500 8°	2.90:1
		CT50391	PRM 500 in line C	1.46:1
		CT50392	PRM 500 in line C	1.94:1
		CT50395	PRM 500 in line C	2.57:1
		CT50393	PRM 500 in line C	2.90:1
		CT50470	PRM 750 basic D	1.09:1
		CT50471	PRM 750 basic D	1.46:1
		CT50472	PRM 750 basic D	1.94:1
		CT50475	PRM 750 basic D	2.57:1
		CT50473	PRM 750 basic D	2.90:1
		CT50480	PRM 750 8°	1.09:1
		CT50481	PRM 750 8°	1.46:1
		CT50482	PRM 750 8°	1.94:1
		CT50485	PRM 750 8°	2.57:1
		CT50483	PRM 750 8°	2.90:1

groep/ group	blz./ page	type	omschrijving/description	datum/date
5	5	DT67 DTA67	Overzicht keerkoppelingen Index reverse gearboxes	3.10.95

groep/ group	blz./ page	type	omschrijving/description	datum/date
5	6	DT67 DTA67	Overzicht keerkoppelingen Index reverse gearboxes	3.10.95

pos.	qty	part	benaming	description
			PRM	
		CT50490	PRM 750 in line C	1.09:1
		CT50491	PRM 750 in line C	1.46:1
		CT50492	PRM 750 in line C	1.94:1
		CT50495	PRM 750 in line C	2.57:1
		CT50493	PRM 750 in line C	2.90:1
		CT50494	PRM 750 in line C	3.95:1
		CT50570	PRM601 basic D	1.19:1
		CT50571	PRM601 basic D	1.53:1
		CT50572	PRM601 basic D	2.03:1
		CT50580	PRM601A 10°	1.19:1
		CT50581	PRM601A 10°	1.53:1
		CT50582	PRM601A 10°	2.03:1
		CT50670	PRM1000 basic D	1.19:1
		CT50671	PRM1000 basic D	1.53:1
		CT50672	PRM1000 basic D	2.03:1
		CT50673	PRM1000 basic D	2.56:1
		CT50674	PRM1000 basic D	4.00:1
		CT50680	PRM1000A 10°	1.19:1
		CT50681	PRM1000A 10°	1.53:1
		CT50682	PRM1000A 10°	2.03:1
		CT50683	PRM1000A 10°	2.86:1
		CT50684	PRM1000A 10°	4.00:1
		CT50690	PRM1000 in line	1.19:1
		CT50691	PRM1000 in line	1.53:1
		CT50692	PRM1000 in line	2.03:1
		CT50693	PRM1000 in line	2.86:1
		CT50694	PRM1000 in line	4.00:1
			TWIN DISK	
		CT50811	MG502-1	1.54:1
		CT50812	MG502-1	2.00:1
		CT50813	MG502-1	2.47:1
		CT50850	MG506-1	1.09:1
		CT50851	MG506-1	1.50:1
		CT50852	MG506-1	1.97:1
		CT50855	MG506-1	2.50:1
		CT50853	MG506-1	2.96:1
		CT50854	MG506-1	3.79:1

groep/ group	blz./ page	type	omschrijving/description	datum/date
5	6	DT67 DTA67	Overzicht keerkoppelingen Index reverse gearboxes	3.10.95



groep/ group	blz./ page	type	omschrijving/description	datum/date
5	7	DT67 DTA67	Overzicht keerkoppelingen Index reverse gearboxes	3.10.95

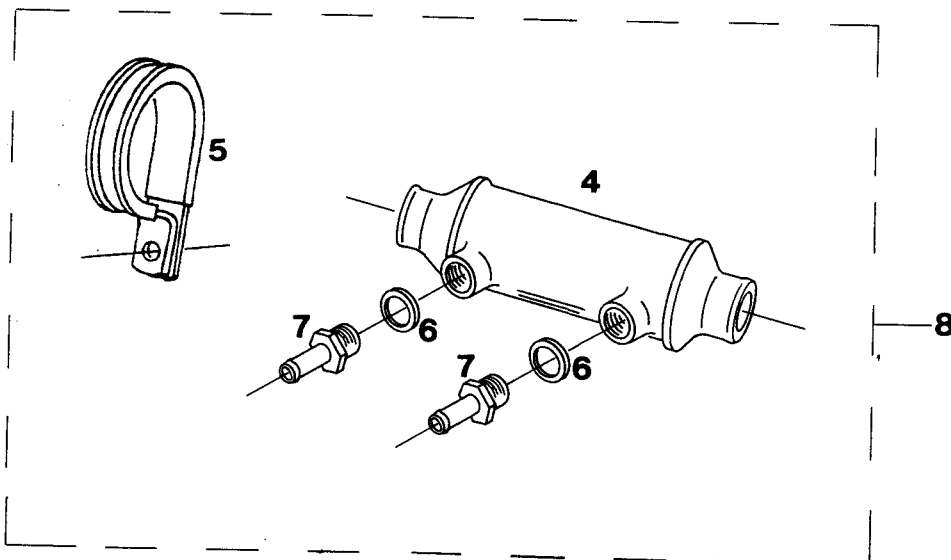
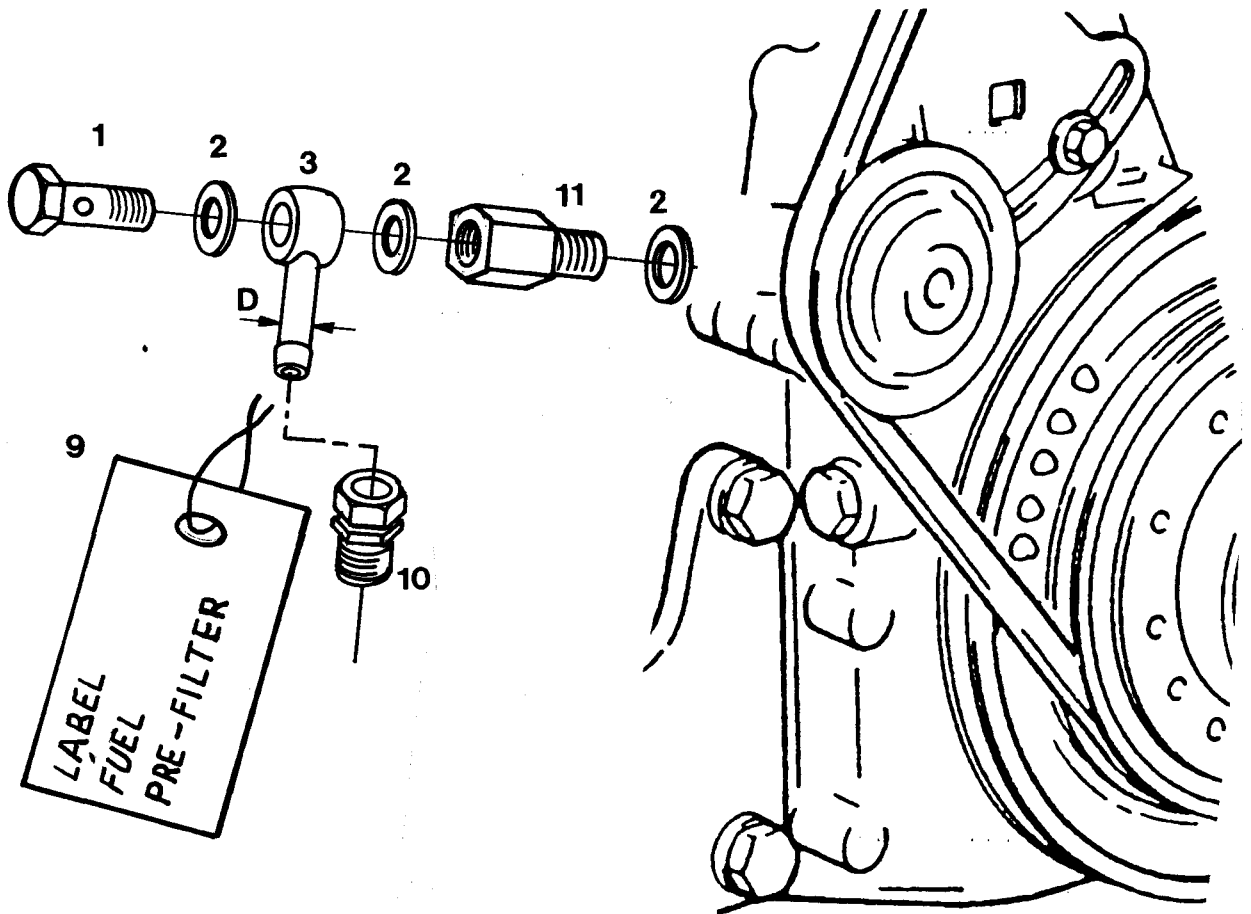
pos.	qty	part	benaming	description
TWIN DISK				
		CT50860	MG506A-10°	1.09:1
		CT50861	MG506A-10°	1.50:1
		CT50862	MG506A-10°	1.97:1
		CT50865	MG506A-10°	2.50:1
		CT50863	MG506A-10°	2.96:1
		CT50872	MG507A	2.19:1
MPM				
		CT50220	IRM220A	1.23:1
		CT50221	IRM220A	1.53:1
		CT50222	IRM220A	2.05:1
		CT50223	IRM220A	2.45:1
BORG WARNER				
		CT50911	71C in line	1.52:1
		CT50912	71C in line	1.88:1
		CT50914	71C in line	2.10:1
		CT50915	71C in line	2.57:1
		CT50913	71C in line	2.91:1
		CT50921	72C in line	1.52:1
		CT50922	72C in line	1.88:1
		CT50924	72C in line	2.10:1
		CT50925	72C in line	2.57:1
		CT50923	72C in line	2.91:1
		CT50900	7000 in line	1.12:1
		CT50901	7000 in line	1.51:1
		CT50902	7000 in line	1.98:1
		CT50905	7000 in line	2.66:1
		CT50903	7000 in line	3.04:1
		CT50904	7000 in line	4.10:1

groep/ group	blz./ page	type	omschrijving/description	datum/date
5	7	DT67 DTA67	Overzicht keerkoppelingen Index reverse gearboxes	3.10.95

groep/ group	blz./ page	type	omschrijving/description	datum/date
6	1	DT67 DTA67	Brandstofaansluiting/-koeler Fuel connection/cooler	1.12.98

pos.	qty	part	benaming	description
1	1	STM8214	Banjo bout M16x1,5	Banjo bolt M16x1.5
2	3	STM6617	Afdichtring M16	Washer M16
3	1	STM8215	Banjo oog M16 D=φ12	Banjo eye M16 D=φ12
4	1	STM8320	Brandstofkoeler 5"xφ55-G ³ / ₈ slangaansluiting φ33	Fuel cooler 5"xφ55-G ³ / ₈ hose connection φ33
5	1	STM8208	Klem φ55 RSGU1.55/25W1	Clamp φ55 RSGU1.55/25W1
6	2	STM6617	Afdichtring M16	Sealwasher M16
7	2	STM8321	Slangpilaar G ³ / ₈ -10	Hose pillar G ³ / ₈ -10
8	1	STM8319	Brandstofkoeler kit	Kit fuel cooler connection
9	1	STM8430	Label Brandstofvoorfilter DT(A) 43-DT(A) 64-DT(A) 67	Label Fuel Pre-Filter DT(A) 43-DT(A) 64-DT(A) 67
10	2	STM8200	Fitting WS720	Fitting WS720
11	1	STM8213	Nippel M16x1,5	Nipple M16x1.5

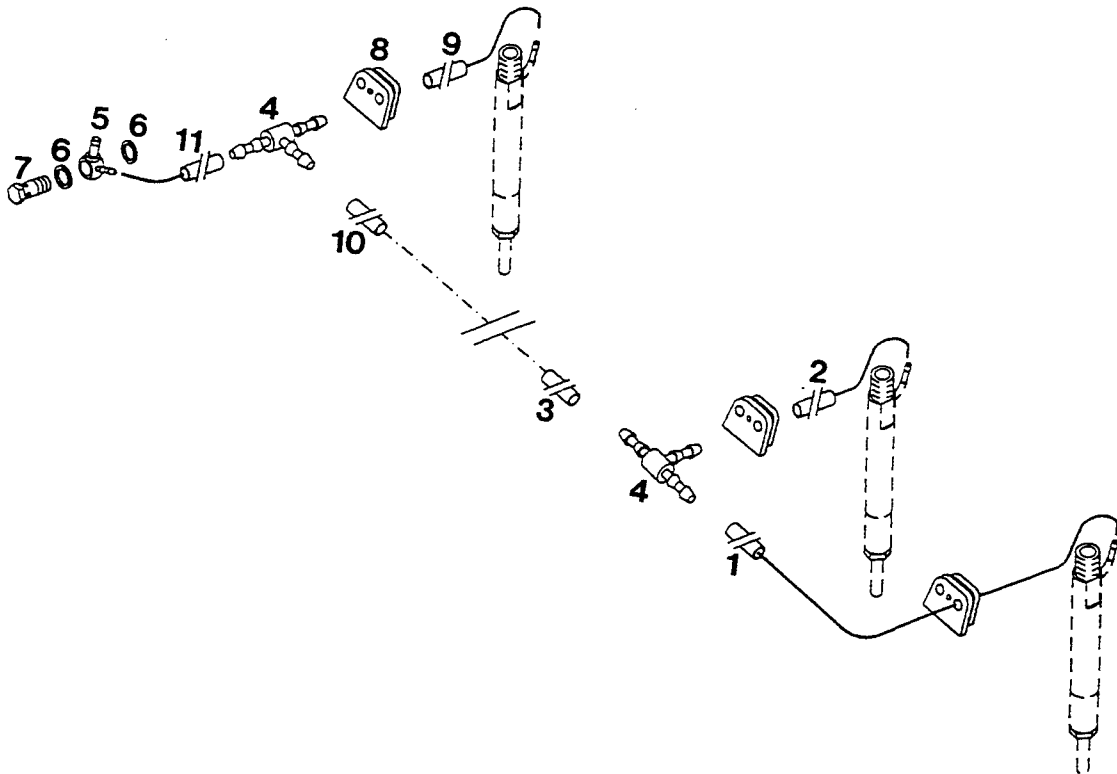
groep/ group	blz./ page	type	omschrijving/description	datum/date
6	1	DT67 DTA67	Brandstofaansluiting/-koeler Fuel connection/cooler	1.12.98



groep/ group	blz./ page	type	omschrijving/description	datum/date
6	2	DT67 DTA67	Brandstof retourleiding Overflow line	4.7.97

pos.	qty	part	benaming	description
1	MTR	VD60276	Rubberslang 270mm DT67	Rubber hose 270mm DT67
	MTR	VD60293	Rubberslang 270mm DTA67	Rubber hose 270mm DTA67
2	MTR	VD60277	Rubberslang 145mm DT67	Rubber hose 145mm DT67
	MTR	VD60294	Rubberslang 145mm DTA67	Rubber hose 145mm DTA67
3	MTR	VD60278	Rubberslang 130mm DT67	Rubber hose 130mm DT67
	MTR	VD60295	Rubberslang 130mm DTA67	Rubber hose 130mm DTA67
4	5	VD60068	T-stuk	T-fitting
5	1	VD60069	Banjo oog	Banjo fitting
6	2	VD60070	Afdichtingring	Sealing ring
7	1	VD60071	Ventiel DT67	Pressurestat DT67
	1	VD60299	Ventiel DTA67	Pressurestat DTA67
8	6	VD60072	Rubberafdichting	Rubber seal
9	MTR	VD60279	Rubberslang 135mm DT67	Rubber hose 135mm DT67
	MTR	VD60298	Rubberslang 200mm DTA67	Rubber hose 200mm DTA67
10	MTR	VD60280	Rubberslang 200mm DT67	Rubber hose 200mm DT67
	MTR	VD60296	Rubberslang 150mm DTA67	Rubber hose 150mm DTA67
11	MTR	VD60281	Rubberslang 150mm DT67	Rubber hose 150mm DT67
	MTR	VD60297	Rubberslang 135mm DTA67	Rubber hose 135mm DTA67

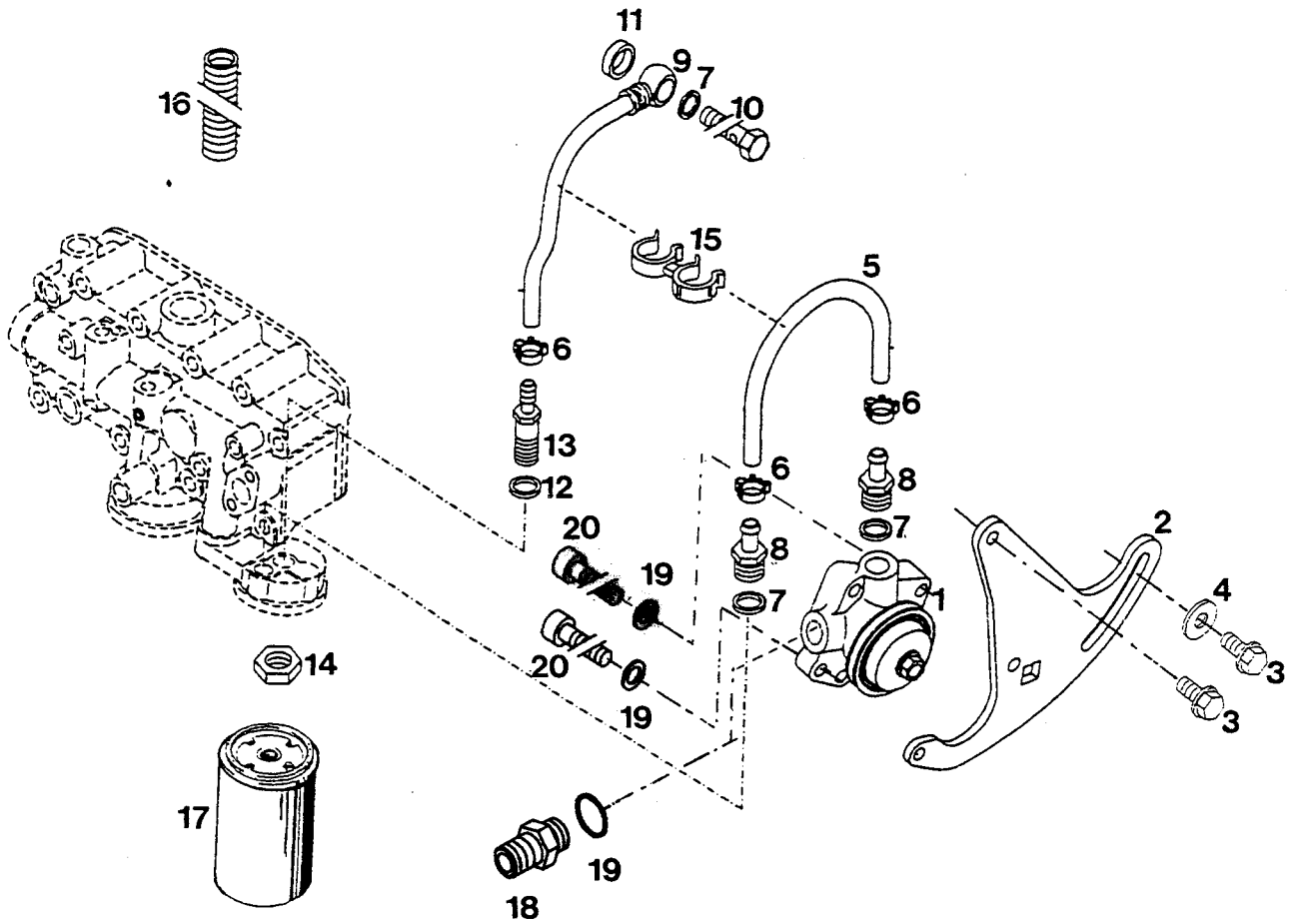
groep/ group	blz./ page	type	omschrijving/description	datum/date
6	2	DT67 DTA67	Brandstofretourleiding Overflow line	4.7.97



groep/ group	blz./ page	type	omschrijving/description	datum/date
6	3	DT67 DTA67	Brandstofpomp Fuel pump	4.7.97

pos.	qty	part	benaming	description
1	1	VD60076	Brandstofpomp	Fuel pump
2	1	VD60074	Spansteun	Clamping strap
3	2	VD60224	Bout M8x20	Bolt M8x20
4	3	VD60079	Ring	Plain washer
5	1	VD60080	Slang	Hose
6	3	VD60081	Slangklem	Hose clip
7	3	VD60082	Afdichtring	Sealing ring
8	2	VD60083	Slangpilaar	Hose clip
9	1	VD60084	Brandstofleiding	Fuel line
10	1	VD60085	Banjobout	Hollow screw
11	1	VD60086	Afdichtring	Sealing ring
12	1	VD60087	Afdichtring	Sealing ring
13	1	VD60088	Slangpilaar	Hose sleeve
14	1	VD60089	Moer M16x1,5	Nut M16x1.5
15	1	VD60090	Slangbeugel	Hose retainer
16	1	VD60091	Gegolfde stokbuis	Corrugated tube
17	1	VD60210	Brandstof filter	Fuel filter
18	1	VD60279	Adapter	Adapter
19	3	VD20189	Afdichtring	Sealing ring
20	2	VD60078	Bout M8x25	Bolt M8x25

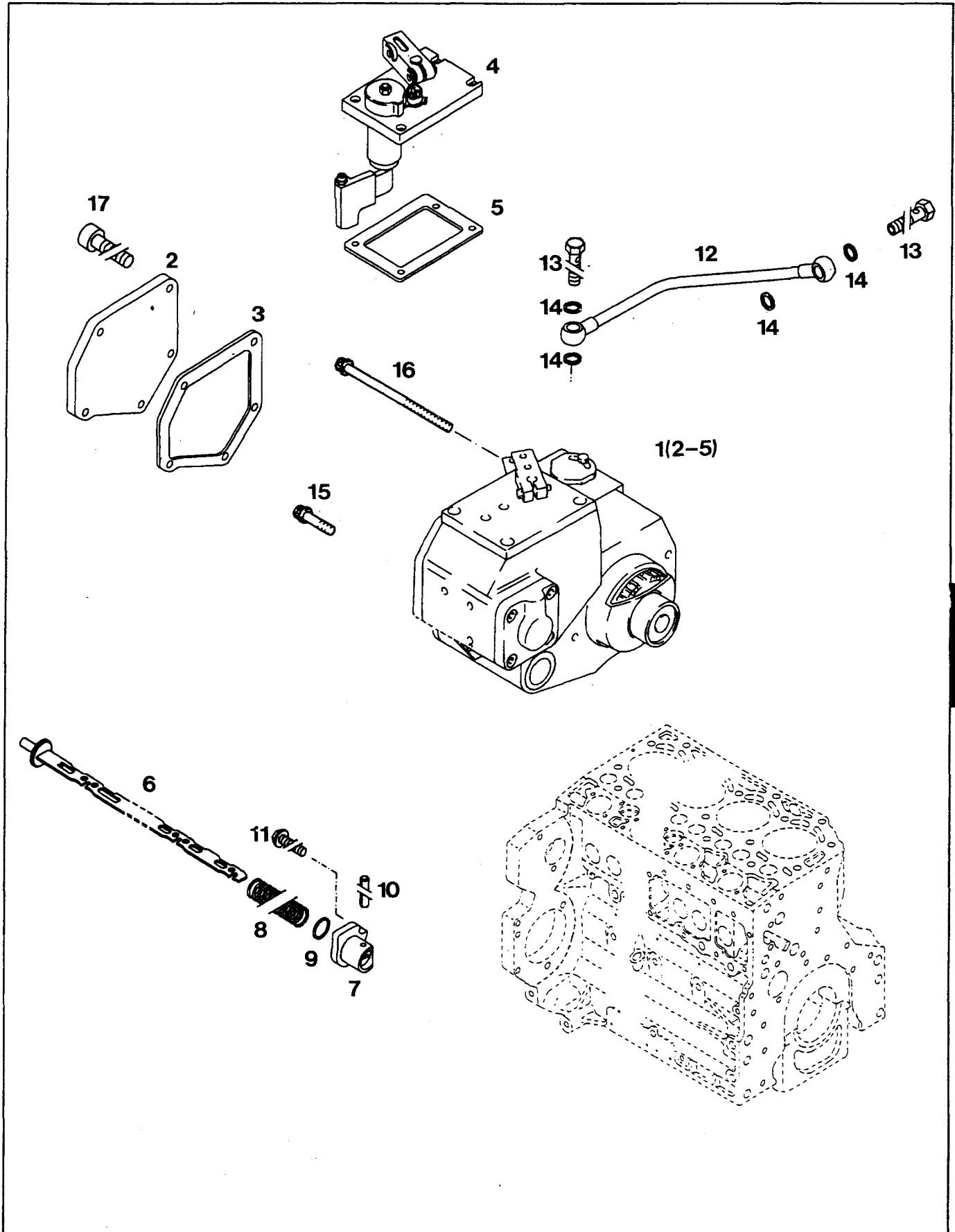
groep/ group	blz./ page	type	omschrijving/description	datum/date
6	3	DT67 DTA67	Brandstofpomp Fuel pump	4.7.97



groep/ group	blz./ page	type	omschrijving/description	datum/date
6	4	DT67 DTA67	Regulateur Regulator	4.7.97

pos.	qty	part	benaming	description
1	1	VD60284	Regulateur DT67	Regulator DT67
	1	VD60302	Regulateur DTA67	Regulator DTA67
2	1	VD60094	Deksel	Cover
3	1	VD60095	Pakking	Gasket
4	1	VD60096	Deksel	Cover
5	1	VD60097	Pakking	Gasket
6	1	VD60284	Regelstang	Control rod
7	1	VD60103	Geleidebus	Guide bush
8	1	VD60285	Veer	Compression spring
9	1	VD60105	Ring	Washer
10	1	VD60106	Spanstift 6x20	Straight pin 6x20
11	1	VD20186	Bout M8x20	Bolt M8x20
12	1	VD60288	Leiding	Pipe
13	2	VD20106	Banjobout	Hollow screw
14	4	VD20031	Afdichtring	Sealing ring
15	1	VD60113	Bout M8x55	Torx-head bolt M8x55
16	4	VD60114	Bout M8x150	Torx-head bolt M8x150
17	4	VD60115	Cilinderkopschroef M6x20	Cheese head screw M6x20

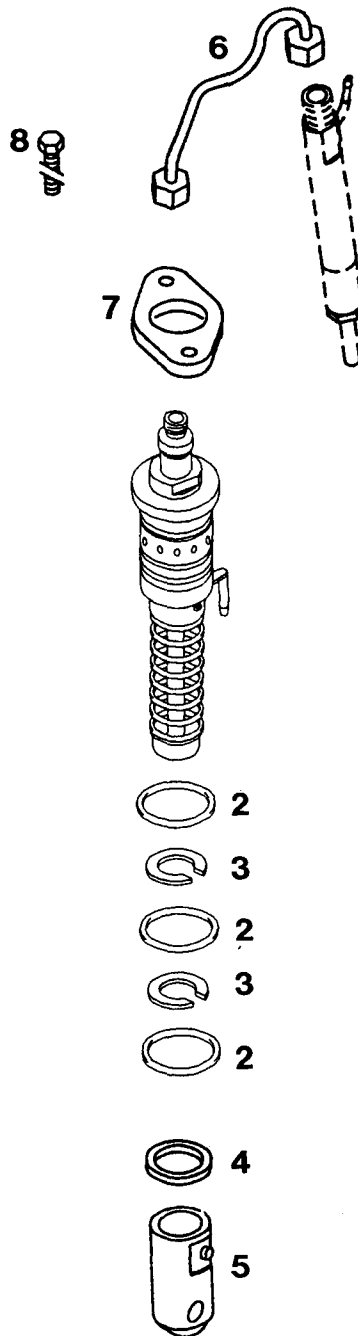
groep/ group	blz./ page	type	omschrijving/description	datum/date
6	4	DT67 DTA67	Regulateur Regulator	4.7.97



groep/ group	blz./ page	type	omschrijving/description	datum/date
6	5a	DT67 DTA67	Brandstofinjectionpomp Fuel injection pump	4.7.97

pos.	qty	part	benaming	description
1	1	VD60290	Brandstofinjectionpomp DTA67	Fuel injec. pump DTA67
	1	VD60234	Brandstofinjectionpomp DT67	Fuel injec. pump DT67
2	3	VD60221	O-ring	O-seal
3	2	VD60222	O-ring	O-seal
4	1	VD60236	Shim	Shim
5	1	VD60235	Aandrijfbus	Roller tappet
6	1	VD60300	Hogedrukpijp blauw DTA67	High pressure pipe blue DTA67
	1	VD60301	Hogedrukpijp groen DTA67	High pressure pipe green DTA67
	1	VD60282	Hogedrukpijp blauw DT67	High pressure pipe blue DT67
	1	VD60283	Hogedrukpijp groen DT67	High pressure pipe green DT67
7	1	VD60262	Flens	Flange
8	2	VD60263	Bout	Bolt
950	NB	VD60237	Shim Dikte = 1,1	Shim Thickness = 1.1
951	NB	VD60238	Shim Dikte = 1,2	Shim Thickness = 1.2
952	NB	VD60239	Shim Dikte = 1,3	Shim Thickness = 1.3
953	NB	VD60240	Shim Dikte = 1,4	Shim Thickness = 1.4
954	NB	VD60241	Shim Dikte = 1,5	Shim Thickness = 1.5
955	NB	VD60242	Shim Dikte = 1,6	Shim Thickness = 1.6
956	NB	VD60243	Shim Dikte = 1,7	Shim Thickness = 1.7
957	NB	VD60244	Shim Dikte = 1,8	Shim Thickness = 1.8
958	NB	VD60245	Shim Dikte = 1,9	Shim Thickness = 1.9
959	NB	VD60246	Shim Dikte = 2,0	Shim Thickness = 2.0
960	NB	VD60247	Shim Dikte = 2,1	Shim Thickness = 2.1
961	NB	VD60248	Shim Dikte = 2,2	Shim Thickness = 2.2
962	NB	VD60249	Shim Dikte = 2,3	Shim Thickness = 2.3
963	NB	VD60250	Shim Dikte = 2,4	Shim Thickness = 2.4
964	NB	VD60251	Shim Dikte = 2,5	Shim Thickness = 2.5
965	NB	VD60252	Shim Dikte = 2,6	Shim Thickness = 2.6
966	NB	VD60253	Shim Dikte = 2,7	Shim Thickness = 2.7
967	NB	VD60254	Shim Dikte = 2,8	Shim Thickness = 2.8
968	NB	VD60255	Shim Dikte = 2,9	Shim Thickness = 2.9
969	NB	VD60256	Shim Dikte = 3,0	Shim Thickness = 3.0

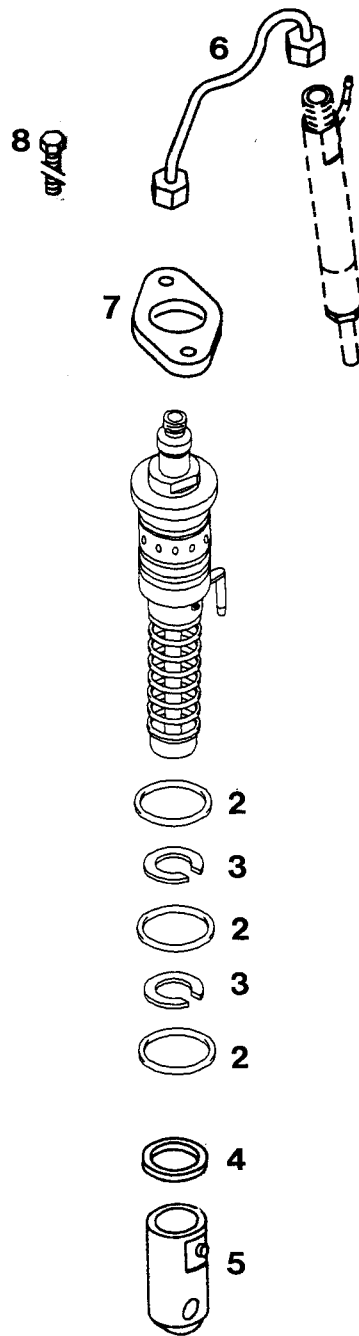
groep/ group	blz./ page	type	omschrijving/description	datum/date
6	5	DT67 DTA67	Brandstofinjectionpomp Fuel injection pump	4.7.97



groep/ group	blz./ page	type	omschrijving/description	datum/date
6	5b	DT67 DTA67	Brandstofinjectiepomp Fuel injection pump	4.7.97

pos.	qty	part	benaming	description
970	NB	VD60257	Shim Dikte = 3,1	Shim Thickness = 3.1
971	NB	VD60258	Shim Dikte = 3,2	Shim Thickness = 3.2
972	NB	VD60259	Shim Dikte = 3,3	Shim Thickness = 3.3
973	NB	VD60260	Shim Dikte = 3,4	Shim Thickness = 3.4
974	NB	VD60261	Shim Dikte = 3,5	Shim Thickness = 3.5

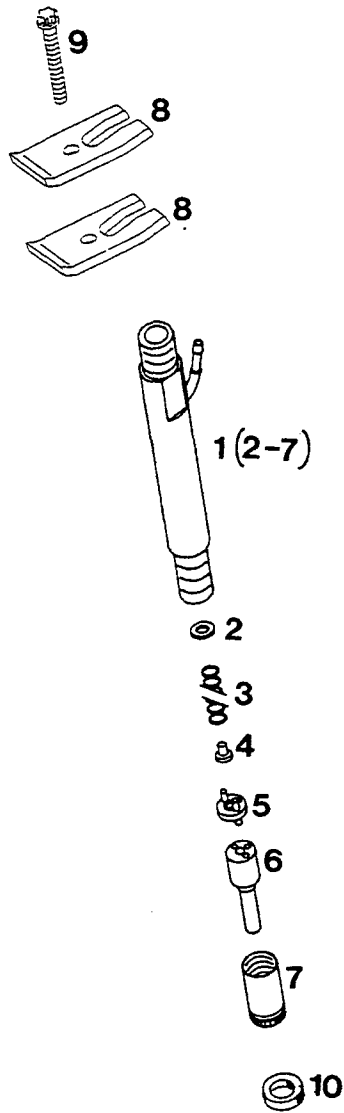
groep/ group	blz./ page	type	omschrijving/description	datum/date
6	5	DT67 DTA67	Brandstofinjectiepomp Fuel injection pump	4.7.97



groep/ group	blz./ page	type	omschrijving/description	datum/date
6	6	DT67 DTA67	Brandstofinjector Fuel injector	4.7.97

pos.	qty	part	benaming	description
1	1	VD60264	Brandstofinjector DT67	Fuel injector DT67
	1	VD60291	Brandstofinjector DTA67	Fuel injector DTA67
2	NB	VD60027	Shim standaard A 1,00 bovenmaat art . B950-978	Shim standard A 1.00 for oversize see item B 950-978
3	1	VD60028	Veer	Compression spring
4	1	VD60265	Bout	Thrust bolt
5	1	VD60030	Afstandsring	Spacer
6	1	VD60266	Verstuiver	Nozzle element
7	1	VD60032	Verstuiverkap	Nozzle cap nut
950	NB	VD60033	Shim bovenmaat 1,04mm	Shim oversize 1.04mm
951	NB	VD60034	Shim bovenmaat 1,08mm	Shim oversize 1.08mm
952	NB	VD60035	Shim bovenmaat 1,10mm	Shim oversize 1.10mm
953	NB	VD60036	Shim bovenmaat 1,14mm	Shim oversize 1.14mm
954	NB	VD60037	Shim bovenmaat 1,18mm	Shim oversize 1.18mm
955	NB	VD60038	Shim bovenmaat 1,20mm	Shim oversize 1.20mm
956	NB	VD60039	Shim bovenmaat 1,24mm	Shim oversize 1.24mm
957	NB	VD60040	Shim bovenmaat 1,28mm	Shim oversize 1.28mm
958	NB	VD60041	Shim bovenmaat 1,30mm	Shim oversize 1.30mm
959	NB	VD60042	Shim bovenmaat 1,34mm	Shim oversize 1.34mm
960	NB	VD60043	Shim bovenmaat 1,38mm	Shim oversize 1.38mm
961	NB	VD60044	Shim bovenmaat 1,40mm	Shim oversize 1.40mm
962	NB	VD60045	Shim bovenmaat 1,44mm	Shim oversize 1.44mm
963	NB	VD60046	Shim bovenmaat 1,48mm	Shim oversize 1.48mm
964	NB	VD60047	Shim bovenmaat 1,50mm	Shim oversize 1.50mm
965	NB	VD60048	Shim bovenmaat 1,54mm	Shim oversize 1.54mm
966	NB	VD60049	Shim bovenmaat 1,58mm	Shim oversize 1.58mm
967	NB	VD60050	Shim bovenmaat 1,60mm	Shim oversize 1.60mm
968	NB	VD60051	Shim bovenmaat 1,64mm	Shim oversize 1.64mm
969	NB	VD60052	Shim bovenmaat 1,68mm	Shim oversize 1.68mm
970	NB	VD60053	Shim bovenmaat 1,70mm	Shim oversize 1.70mm
971	NB	VD60054	Shim bovenmaat 1,74mm	Shim oversize 1.74mm
972	NB	VD60055	Shim bovenmaat 1,78mm	Shim oversize 1.78mm
973	NB	VD60056	Shim bovenmaat 1,80mm	Shim oversize 1.80mm
974	NB	VD60057	Shim bovenmaat 1,84mm	Shim oversize 1.84mm
975	NB	VD60058	Shim bovenmaat 1,88mm	Shim oversize 1.88mm
976	NB	VD60059	Shim bovenmaat 1,90mm	Shim oversize 1.90mm
977	NB	VD60060	Shim bovenmaat 1,94mm	Shim oversize 1.94mm
978	NB	VD60061	Shim bovenmaat 1,98mm	Shim oversize 1.98mm
8	2	VD60062	Klemhaak	Claw
9	1	VD60063	Bout	Torx-head bolt
10	1	VD60064	Afdichtring	Sealing ring

groep/ group	blz./ page	type	omschrijving/description	datum/date
6	6	DT67 DTA67	Brandstofinjector Fuel injector	4.7.97

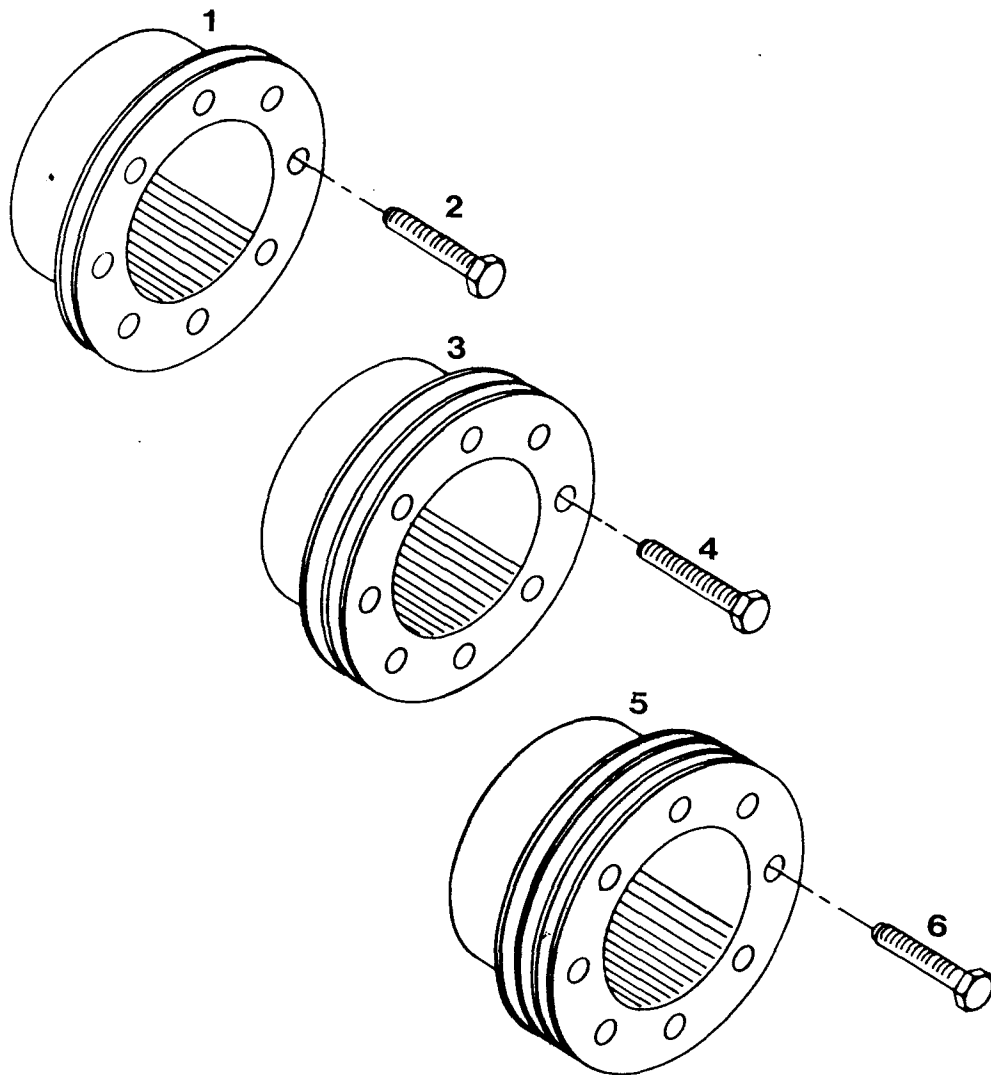


6

groep/ group	blz./ page	type	omschrijving/description	datum/date
10	1	DT67 DTA67	V-snaarschijf Pulley	7.5.97

pos.	qty	part	benaming	description
1	1	STM8341	V-snaarschijf single	Pulley single
2	9	STM8342	Bout M10x70	Bolt M10x70
3	1	STM8438	V-snaarschijf double	Pulley double
4	9	STM8111	Bout M10x80	Bolt M10x80
5	1	STM8439	V-snaarschijf triple	Pulley triple
6	9	STM1612	Bout M10x100	Bolt M10x100

groep/ group	blz./ page	type	omschrijving/description	datum/date
10	1	DT67 DTA67	V-snaarschijf Pulley	7.5.97

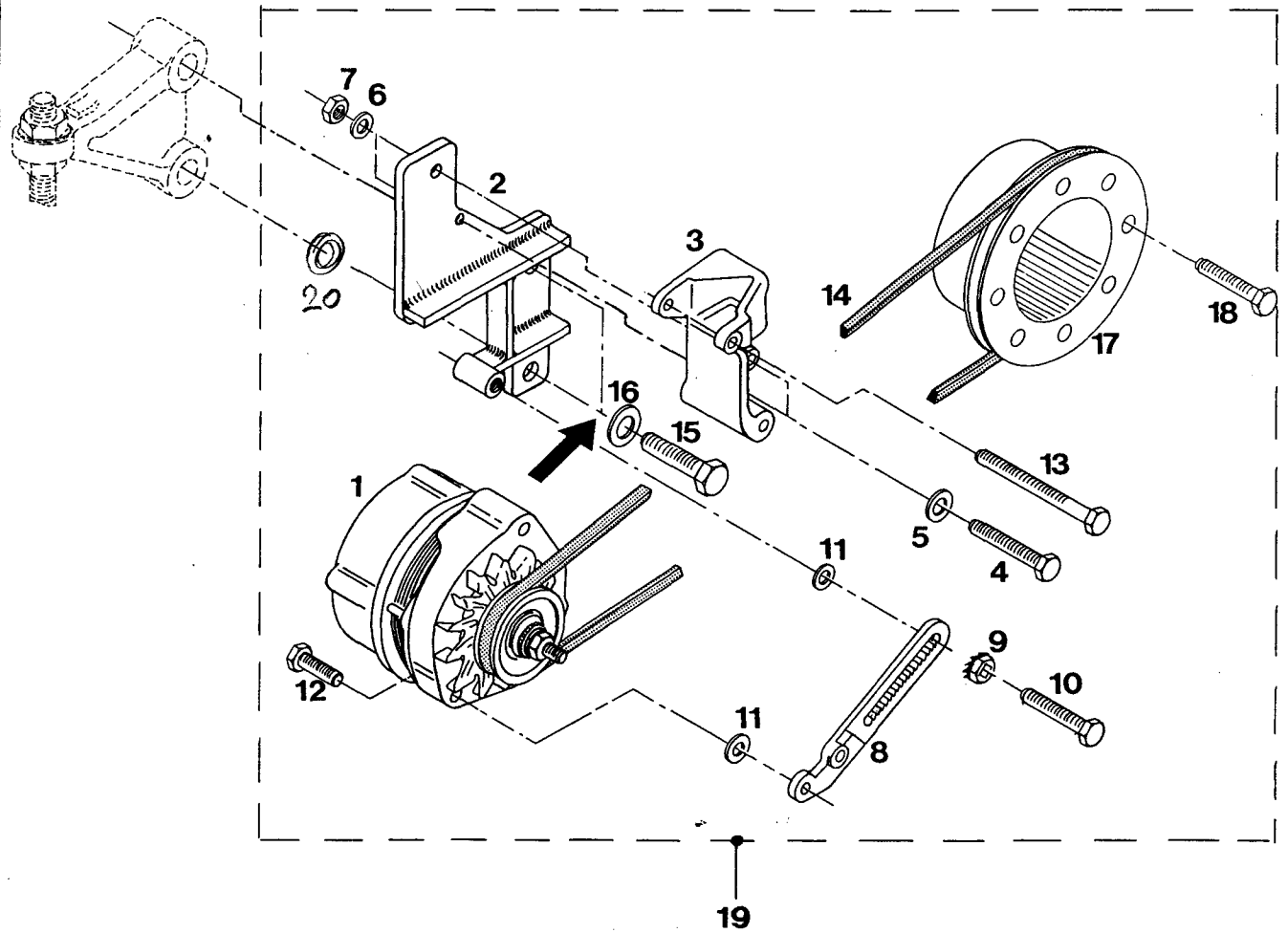


groep/ group	blz./ page	type	omschrijving/description	datum/date
10	2	DT67 DTA67	Extra dynamo Extension alternator	20.5.98

pos.	qty	part	benaming	description
1	1	STM8660	Dynamo 12V-95A enkelpolig	Alternator 12V-95A single pole
	1	STM8661	Dynamo 12V-95A dubbelpolig	Alternator 12V-95A double pole
	1	STM8662	Dynamo 24V-55A enkelpolig	Alternator 24V-55A single pole
	1	STM8663	Dynamo 24V-55A dubbelpolig	Alternator 24V-55A double pole
2	1	STM8701	Steun	Support
3	1	STM8768	Steun	Support
4	2	CT50003	Bout M10x35	Bolt M10x35
5	2	STM8390	Ring M10	Washer M10
6	2	STM4014	Veerring M10	Spring washer M10
7	2	STM4018	Moer M10	Nut M10
8	1	VD40031	Spansteun	Tensioner
9	1	VD40032	Spanmoer	Tightening nut
10	1	VD20178	Bout M8x30	Bolt M8x30
11	2	STM3749	Ring M8	Washer M8
12	1	STM1610	Bout M8x25	Bolt M8x25
13	1	STM8331	Bout M8x80	Bolt M8x80
14	1	STM6023	V-Snaar SPZ 9,5x1120	V-Belt SPZ 9.5x1120
15	2	STM8449	Bout M16x90	Bolt M16x90
16	2	STM8128	Veerring M16	Spring washer M16
17	1	STM8341	V-snaarschijf single	Pulley single
18	9	STM8342	Bout M10x70	Bolt M10x70
19	1	STM8759	Set extra dynamo 12V.1P	Kit extension alternator 12V.1p
	1	STM8760	Set extra dynamo 12V.2P	Kit extension alternator 12V.2P
	1	STM8757	Set extra dynamo 24V.1P	Kit extension alternator 24V.1P
	1	STM8758	Set extra dynamo 24V.2P	Kit extension alternator 24V.2p

20 2 STM8842 Ring $\phi 34 \times d 17 \times 2$

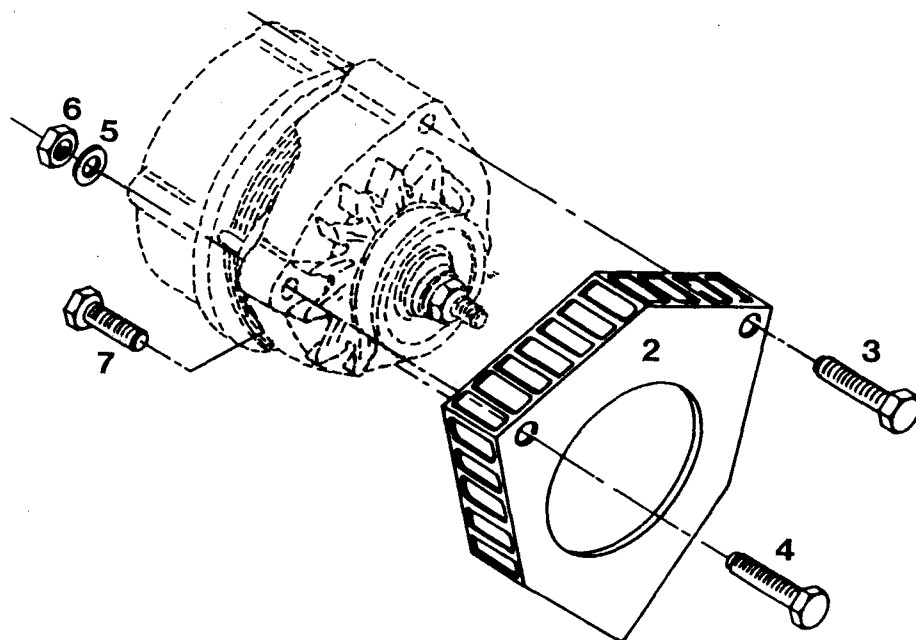
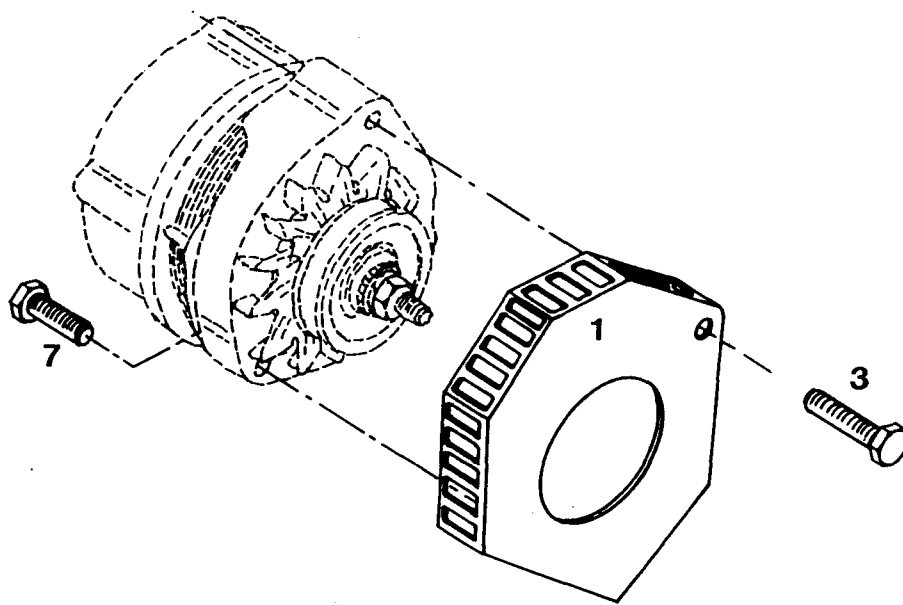
groep/ group	blz./ page	type	omschrijving/description	datum/date
10	2	DT67 DTA67	Extra dynamo Extension alternator	4.11.97



groep/ group	blz./ page	type	omschrijving/description	datum/date
10	3	DT67 DTA67	Beschermkap dynamo Alternator cover	7.5.97

pos.	qty	part	benaming	description	
1	1	STM8702	Beschermkap.Bosch 12V-95A	Protection cover.Bosch	12V-95A
2	1	STM8703	Beschermkap.Iskra 24V-55A	Protection cover.Iskra	24V-55A
3	1	STM6121	Bout M8x110	Bolt M8x110	
4	1	STM2259	Bout M8x60	Bolt M8x60	
5	1	STM1056	Veerring M8	Spring washer M8	
6	1	STM2005	Moer M8	Nut M8	
7	1	STM1610	Bout M8x25	Bolt M8x25	

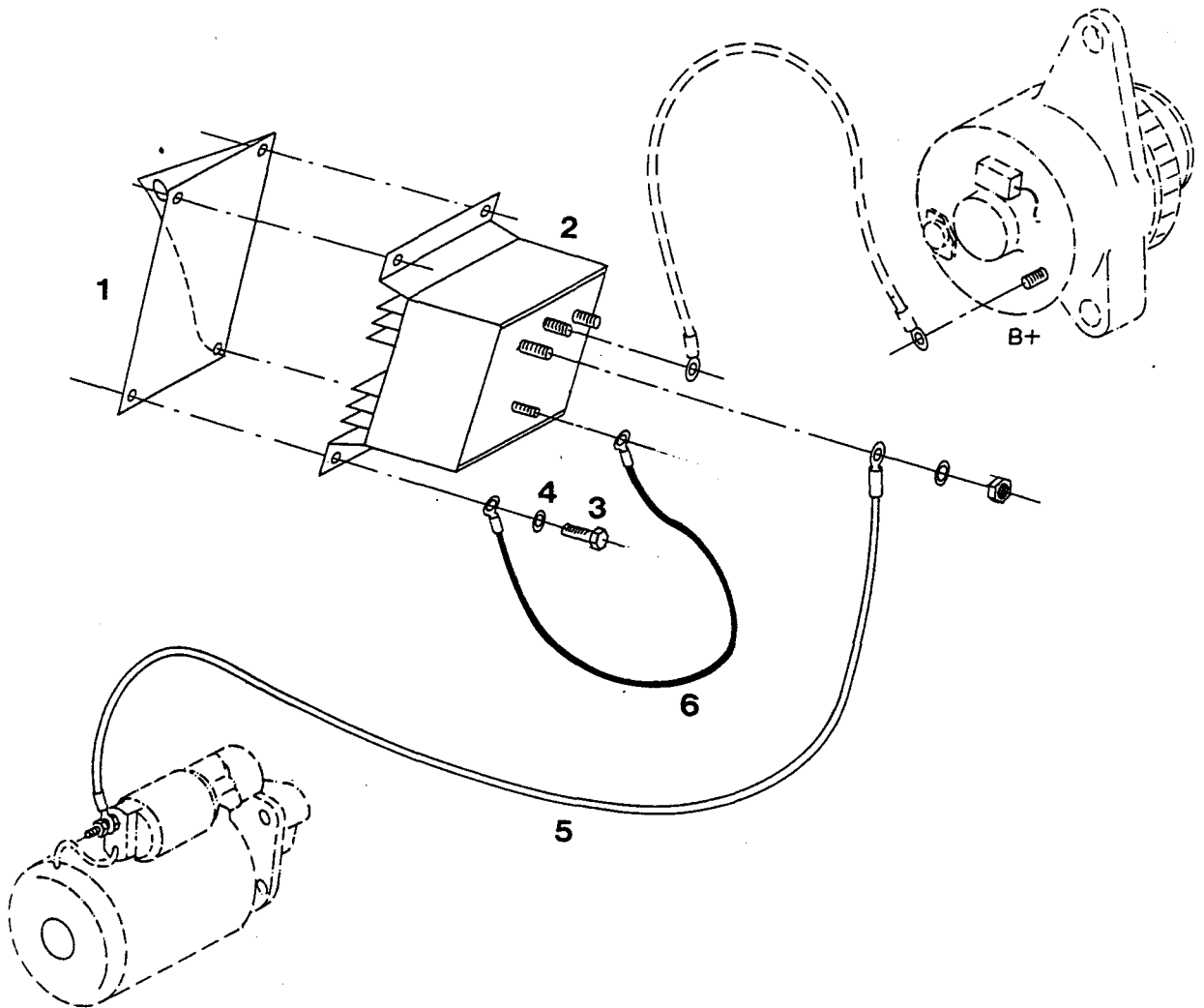
groep/ group	blz./ page	type	omschrijving/description	datum/date
10	3	DT67 DTA67	Beschermkap dynamo Alternator cover	7.5.97



groep/ group	blz./ page	type	omschrijving/description	datum/date
10	4	DT67 DTA67	Scheidingsdiode Diode splitter	4.7.97

pos.	qty	part	benaming	description
1	1	STM8717	Steun scheidingsdiode	Support diode splitter
2	2	STM8715	Scheidingsdiode	Diode splitter
3	4	STM9063	Bout M5x10	Bolt M5x10
4	4	STM8177	Veerring M5	Spring washer M5
5	1	CT40170	Laadstroomkabel 10mm ²	Charger cable 10mm ²
6	1	STM8716	Massakabel 1,5mm ²	Ground cable 1.5mm ²

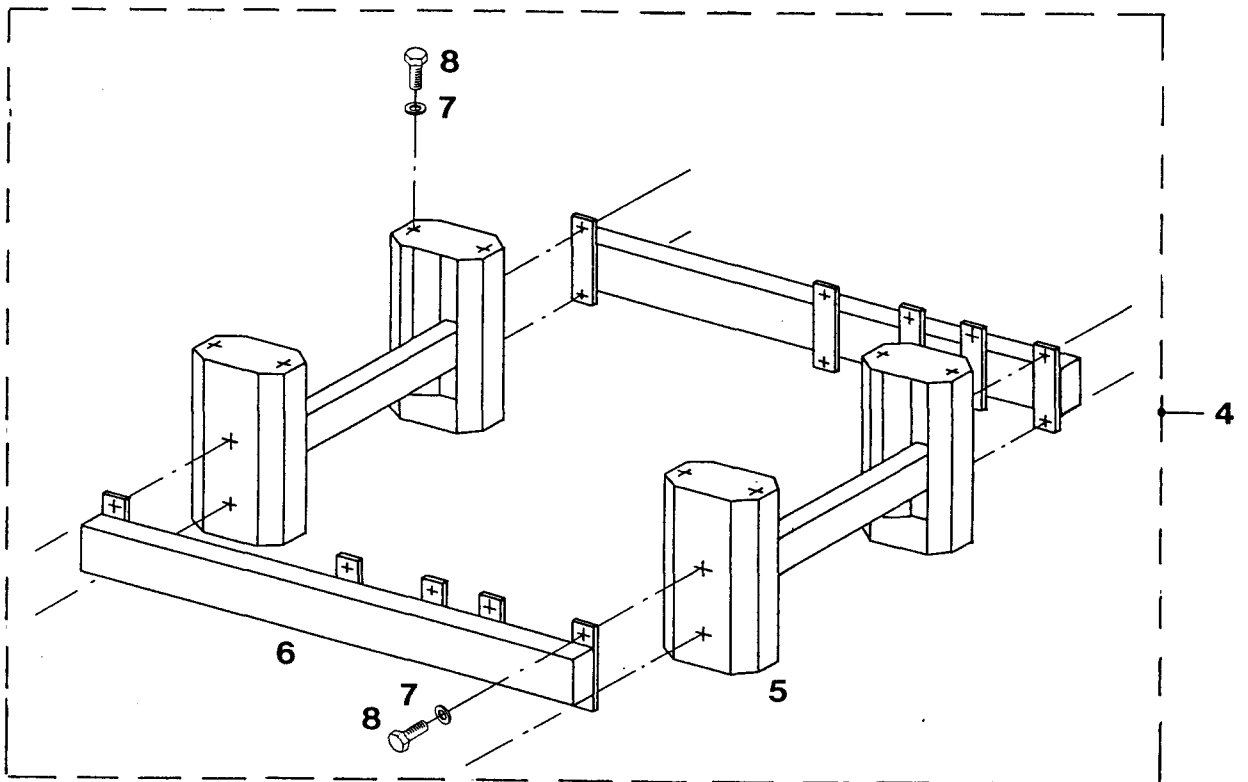
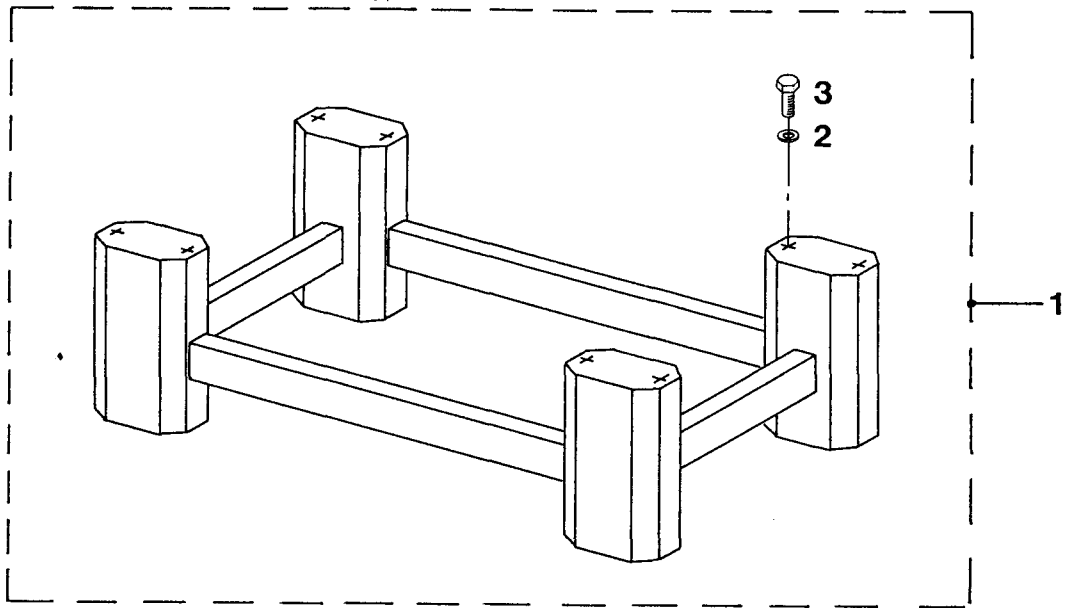
groep/ group	blz./ page	type	omschrijving/description	datum/date
10	4	DT67 DTA67	Scheidingsdiode Diode splitter	4.7.97



groep/ group	blz./ page	type	omschrijving/description	datum/date
10	5	DT67 DTA67	Showbok Engine display	20.9.97

pos.	qty	part	benaming	description
1	1	STM8282	Showbok DT67-DTA67	Engine display DT67-DTA67
2	8	STM3258	Ring M12	Washer M12
3	8	STM8266	Bout M12x40	Bolt M12x40
4	1	STM8749	Showbok DT67-DTA67	Enggine display DT67-DTA67
5	2	STM8750	Drager	Carrier
6	2	STM8751	Transportsteun	Transport bracket
7	16	STM3258	Ring M12	Washer M12
8	16	STM8266	Bout M12x40	Bolt M12x40

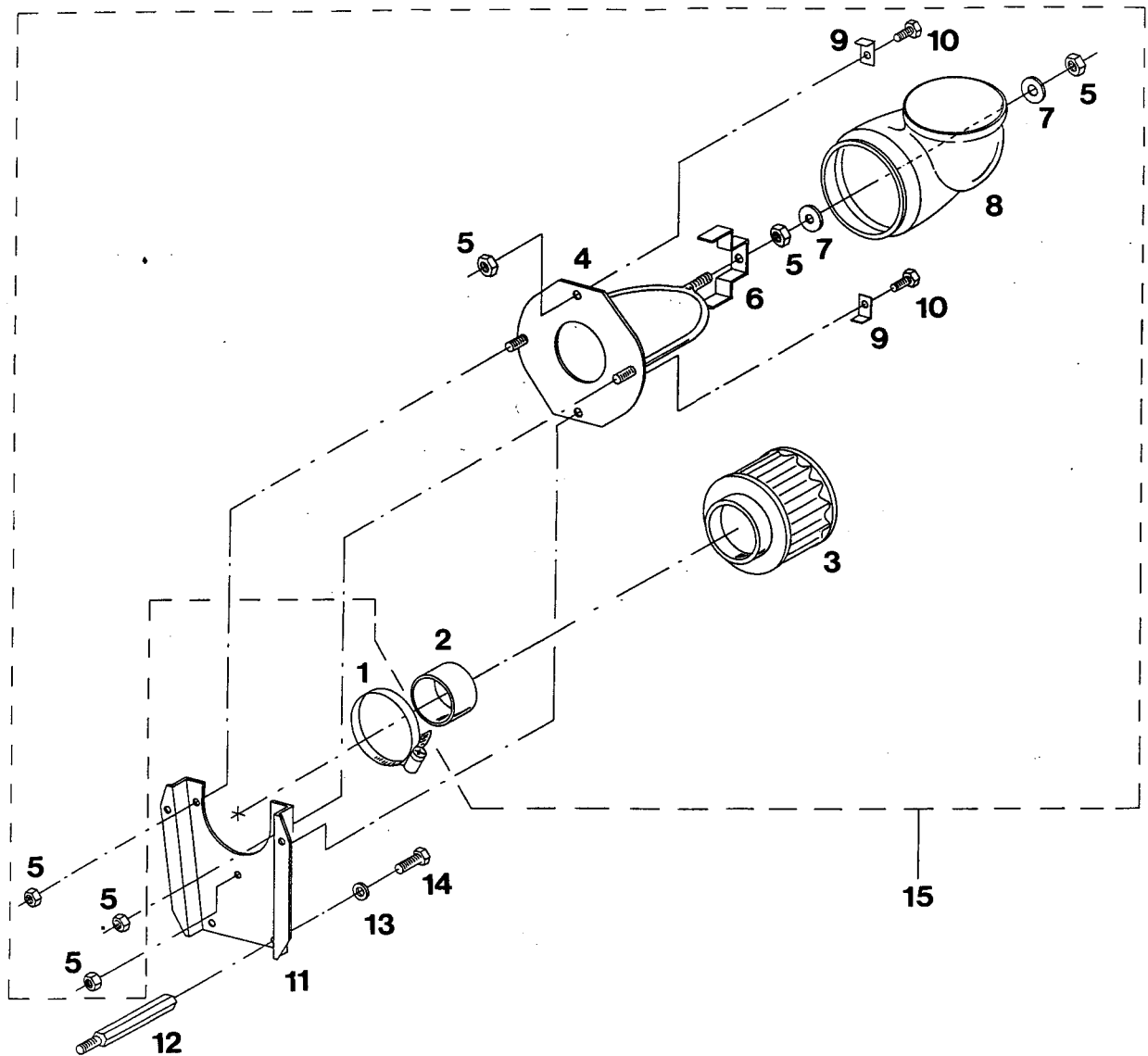
groep/ group	blz./ page	type	omschrijving/description	datum/date
10	5	DT67 DTA67	Showbok Engine display	20.9.97



groep/ group	blz./ page	type	omschrijving/description	datum/date
10	6	DT67 DTA67	Luchtfilter + huis Aircleaner + case	6.8.98

pos.	qty	part	benaming	description
1	1	STM8149	Slangklem 87-112	Hose clamp 87-112
2	1	STM8718	Bus	Busch
3	1	STM8720	Luchtfilter	Aircleaner
4	1	STM8722	Montage plaat	Mounting plate
5	6	STM8733	Zelfborgende moer M6	Nyloc nut M6
6	1	STM8725	Beugel	Bracket
7	5	STM8726	Sluitring M6	Washer M6
8	1	STM8728	Filterhuis	Aircleaner case
9	2	STM8729	Klemplaat	Clamp plate
10	2	STM8730	Bout M6x20	Bolt M6x20
11	1	STM8186	Steun	Support
12	2	STM8187	Afstandhouder l=90	Spacer l=90
13	2	STM4014	Veerring M10	Spring washer M10
14	2	STM9003	Bout M10x25	Bolt M10x25
15	1	STM8736	Filterhuis compleet	Airclaener case cpl.
			pos no. 2.3.4.5.6.7.8.9.10	pos no. 2.3.4.5.6.7.8.9.10

groep/ group	blz./ page	type	omschrijving/description	datum/date
10	6	DT67 DTA67	Luchtfilter + huis Aircleaner + case	6.8.98



vetus diesel b.v.

FOKKERSTRAAT 571 - 3125 BD SCHIEDAM - HOLLAND - TEL.: +31 (10) - 4377700
FAX: +31 (10)-4621286 - 4373474 - 4153249 - 4372673 - E-MAIL: DIESEL@VETUS.NL