

parts catalogue



DT 43

DTA 43

DT 64

DTA 64

Deze onderdelencatalogus bevat waardevolle informatie voor onderhoud en service aan uw motor.

Wij adviseren U, bij vervanging alleen originele *VERUS* onderdelen toe te passen.

Het typeplaatje bevat informatie over de type-aanduiding, het motornummer en de serie.

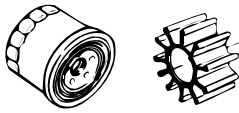

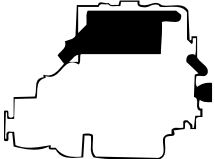
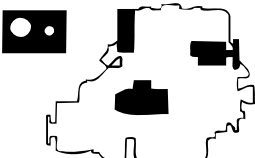



Gebruik deze informatie bij bestelling van onderdelen.

This parts'catalogue contains valuable information for maintenance and service over your engine.

For replacement, we recommend that you use only genuine *VERUS* parts.

The identification tag contains information about model, serial number and series.

Use this information when ordering parts.

	<p>RESERVE KITS SPARE PARTS KIT</p>	<p>1</p>
	<p>MOTOR ENGINE</p>	<p>2</p>
	<p>KOELING COOLING</p>	<p>3</p>
	<p>ELECTRA, BEDIENING EN INSTRUMENTEN ELECTRICS, CONTROLS, INSTRUMENTS</p>	<p>4</p>
	<p>AANDRIJVING TRANSMISSION</p>	<p>5</p>
	<p>BRANDSTOFSTEEEM FUEL SYSTEM</p>	<p>6</p>
		<p>7</p>
		<p>8</p>
		<p>9</p>
	<p>ACCESSOIRES OPTIONALS</p>	<p>10</p>

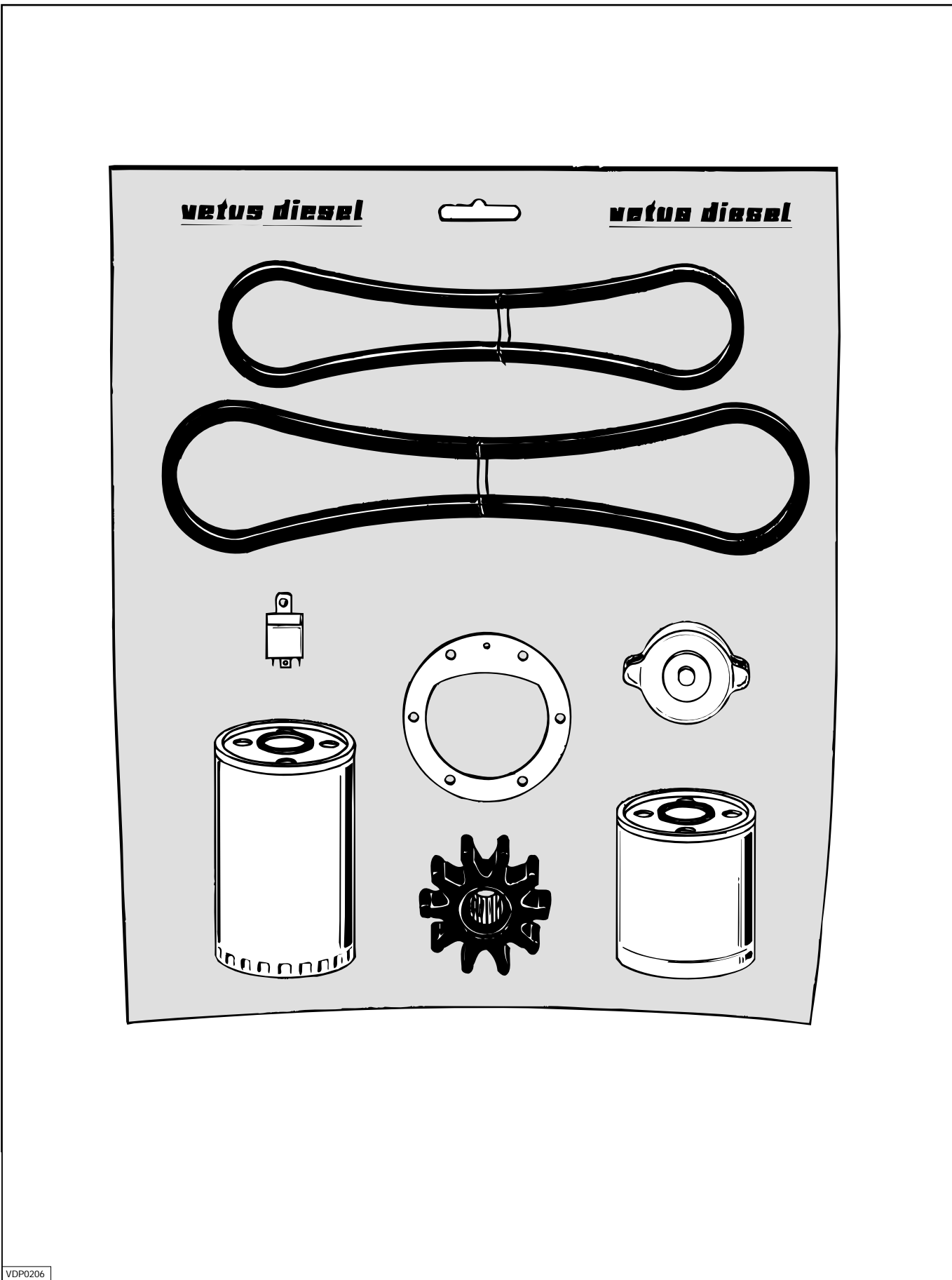
onderdelencatalogus parts catalogue



groep/ group 1	blz./ page 1	type DT43 - DTA43	omschrijving/description Service kit 12 V Service kit 12 V	datum/date 03 06 98
----------------------	--------------------	----------------------	--	------------------------

pos.	qty	part	benaming	description
1	1	VD60092	Brandstoffilter	Fuelfilter
2	1	VD20262	Oliefilter	Oilfilter
3	1	STM8293	V-snaar dynamo	V-belt alternator
4	1	STM8778	V-snaar water/br.st.pomp	V-belt water/fuel pump
5	1	STM8122	Vul/drukdop	Filler/pressure cap
6	1	STM8250	Impeller + pakking	Impeller + gasket
7	1	STM9043	Relais 12 V	Relay 12 V
8	1	STM8753	Service kit compleet	Service kit cpl.

groep/ group	blz./ page	type	omschrijving/description	datum/date
1	1	DT43 - DTA43	Service kit 12 V Service kit 12 V	03 06 98



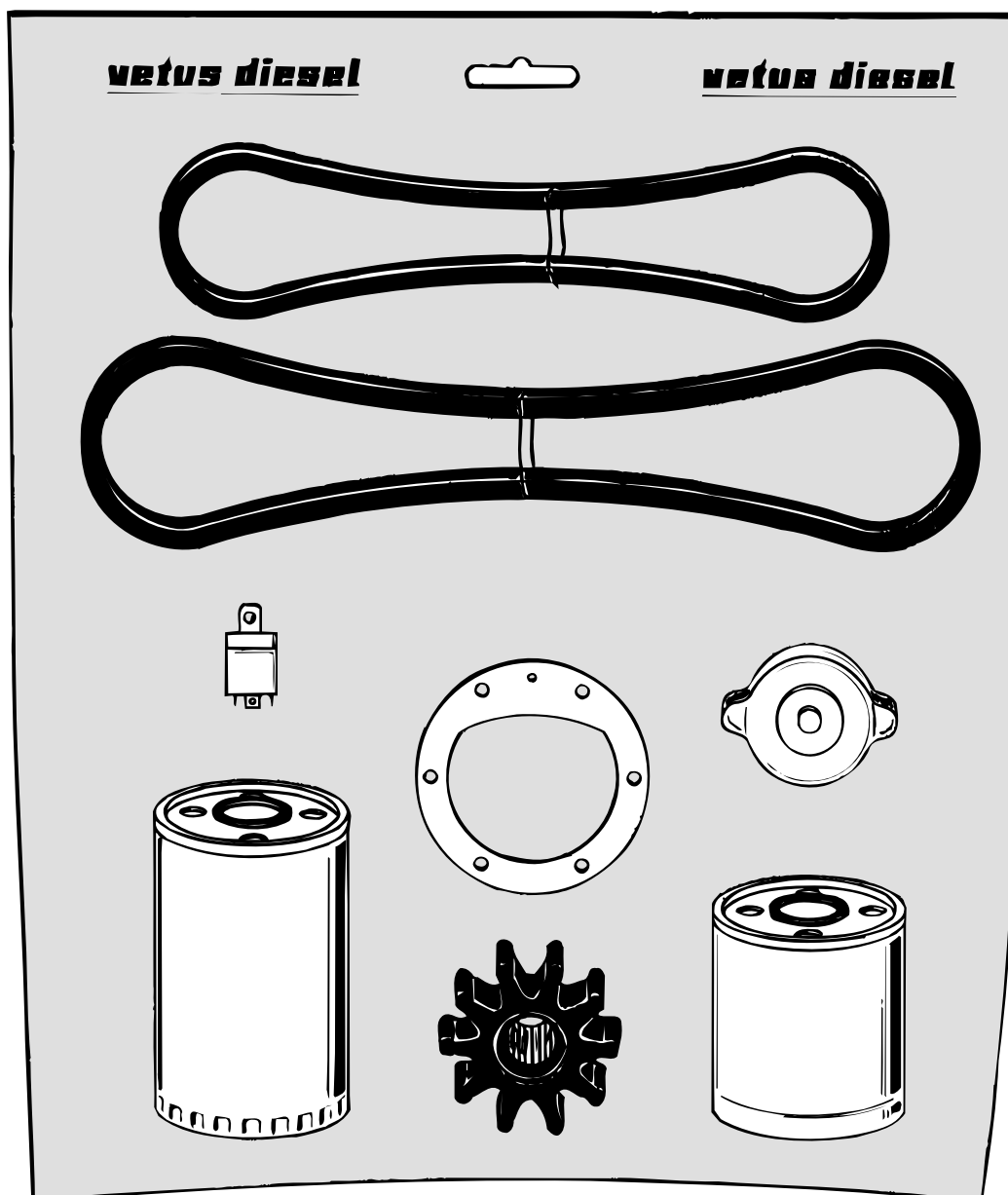
onderdelencatalogus parts catalogue



groep/ group	blz./ page	type	omschrijving/description	datum/date
1	2	DT64 - DTA64	Service kit 12 V Service kit 12 V	03 06 98

pos.	qty	part	benaming	description
1	1	VD60092	Brandstoffilter	Fuelfilter
2	1	VD20263	Oliefilter	Oilfilter
3	1	STM8293	V-snaar dynamo	V-belt alternator
4	1	STM8778	V-snaar water/br.st.pomp	V-belt water/fuel pump
5	1	STM8122	Vul/drukdop	Filler/pressure cap
6	1	STM8250	Impeller + pakking	Impeller + gasket
7	1	STM9043	Relais 12 V	Relay 12 V
8	1	STM8795	Service kit compleet	Service kit cpl.

groep/ group	blz./ page	type	omschrijving/description	datum/date
1	2	DT64 - DTA64	Service kit 12 V Service kit 12 V	03 06 98



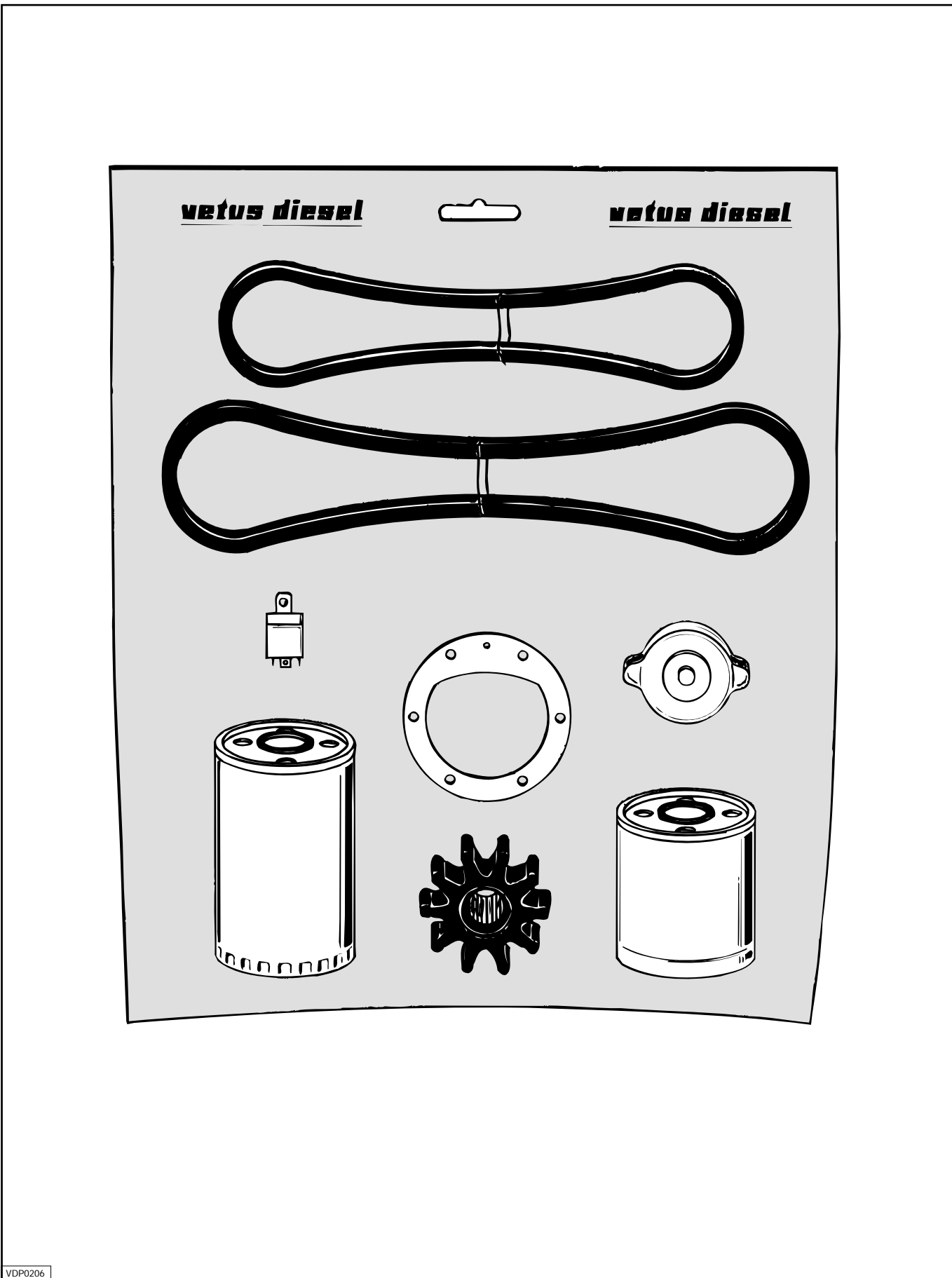
onderdelencatalogus parts catalogue



groep/ group 1	blz./ page 3	type DT43 - DTA43	omschrijving/description Service kit 24 V Service kit 24 V	datum/date 03 06 98
----------------------	--------------------	----------------------	--	------------------------

pos.	qty	part	benaming	description
1	1	VD60092	Brandstoffilter	Fuelfilter
2	1	VD20262	Oliefilter	Oilfilter
3	1	STM8293	V-snaar dynamo	V-belt alternator
4	1	STM8778	V-snaar water/br.st.pomp	V-belt water/fuel pump
5	1	STM8122	Vul/drukdop	Filler/pressure cap
6	1	STM8250	Impeller + pakking	Impeller + gasket
7	1	STM9043	Relais 24 V	Relay 24 V
8	1	STM8754	Service kit compleet	Service kit cpl.

groep/ group	blz./ page	type	omschrijving/description	datum/date
1	3	DT43 - DTA43	Service kit 24 V Service kit 24 V	03 06 98



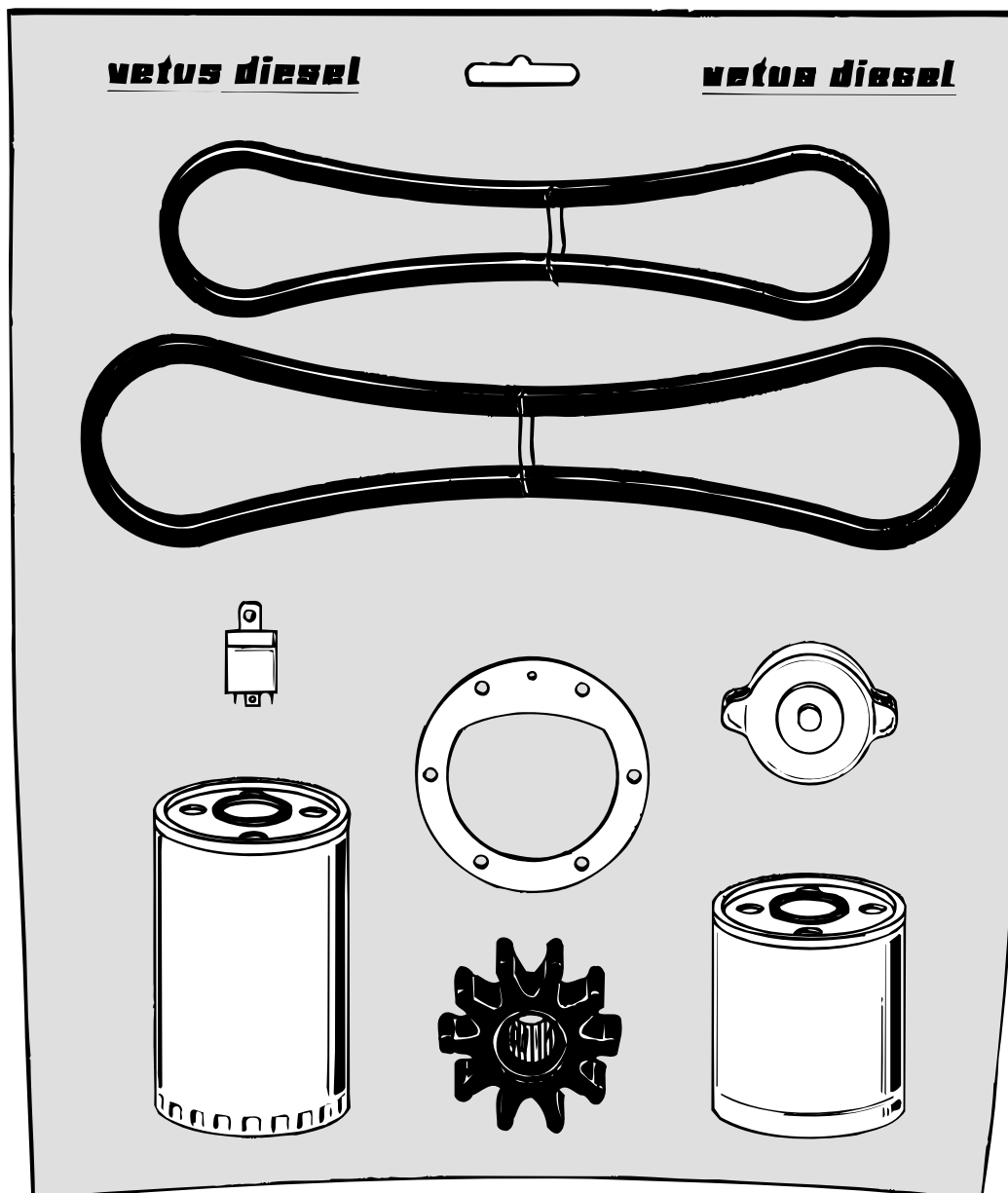
onderdelencatalogus parts catalogue



groep/ group 1	blz./ page 4	type DT64 - DTA64	omschrijving/description Service kit 24 V Service kit 24 V	datum/date 03 06 98
----------------------	--------------------	----------------------	--	------------------------

pos.	qty	part	benaming	description
1	1	VD60092	Brandstoffilter	Fuelfilter
2	1	VD20263	Oliefilter	Oilfilter
3	1	STM8293	V-snaar dynamo	V-belt alternator
4	1	STM8778	V-snaar water/br.st.pomp	V-belt water/fuel pump
5	1	STM8122	Vul/drukdop	Filler/pressure cap
6	1	STM8250	Impeller + pakking	Impeller + gasket
7	1	STM9043	Relais 24 V	Relay 24 V
8	1	STM8796	Service kit compleet	Service kit cpl.

groep/ group	blz./ page	type	omschrijving/description	datum/date
1	4	DT64 - DTA64	Service kit 24 V Service kit 24 V	03 06 98



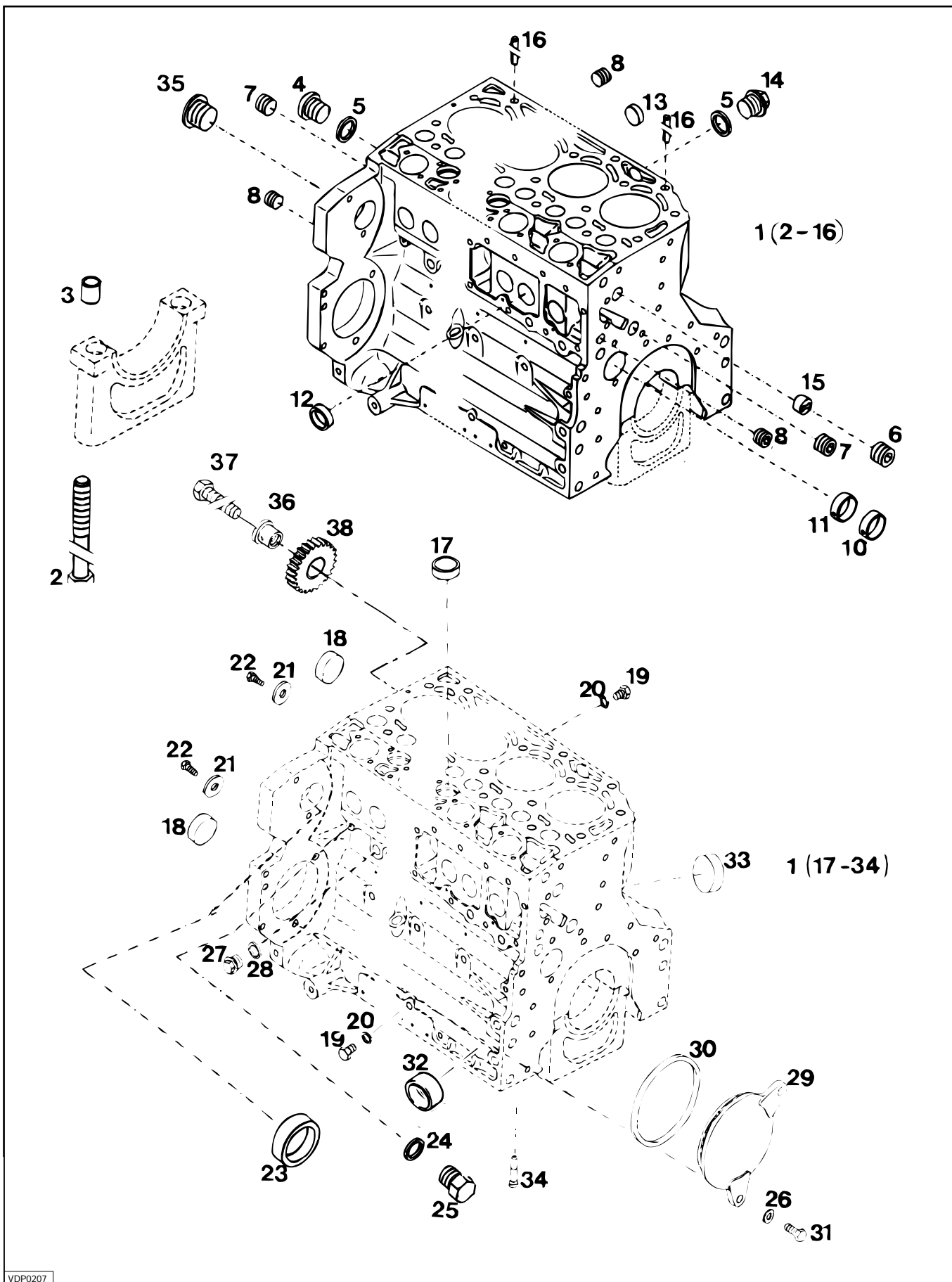
onderdelencatalogus parts catalogue



groep/ group	blz./ page	type	omschrijving/description	datum/date
2	1	DT43 - DTA43	Cilinderblok Crankcase	03 06 98

pos.	qty	part	benaming	description
1	1	VD20664	Cilinderblok	Crankcase
2	10	VD20002	Bout	Hexagon set screw
3	10	VD20003	Bus	Dowel bush
4	1	VD20004	Plug M14x1,5	Screw plug M14x1.5
5	3	VD20005	Afdichtring	Sealing ring
6	1	VD20006	Plug M30x1,5	Screw plug M30x1.5
7	1	VD20007	Plug M22x1,5	Screw plug M22x1.5
8	2	VD20008	Plug M14x1,5	Screw plug M14x1.5
10	4	VD20009	Lagerbus	Wrapped bear bush
11	4	VD20016	Plug	Core hole plug
12	6	VD20010	Plug	Core hole plug
13	4	VD20011	Plug	Core hole plug
14	2	VD20012	Plug M14x1,5	Screw plug M14x1.5
15	1	VD20013	Geleidebus	Guide sleeve
16	2	VD20014	Klembus B15x18	Clamping bush B15x18
17	1	VD20024	Plug	Core hole plug
18	2	VD20025	Bus	Shutter bush
19	2	VD20026	Bout M8x10	Hexagon bolt M8x10
20	2	VD20027	Afdichtring	Sealing ring
21	2	VD20028	Ring	Plain washer
22	2	VD20029	Bout M8x16	Hexagon bolt M8x16
23	1	VD20030	Plug	Core hole plug
24	2	VD20031	Afdichtring	Sealing ring
25	2	VD20032	Plug	Screw plug
26	2	VD20033	Ring	Plain washer
27	1	VD20034	Plug M14x1,5	Screw plug M14x1.5
28	1	VD20272	Afdichtring	Sealing ring
29	1	VD20036	Deksel	Cover
30	1	VD20037	O-ring 98x3	O-seal 98x3
31	2	VD20038	Bout M10x20	Hexagon bolt M10x20
32	1	VD20114	Plug	Core hole plug
33	1	VD20040	Plug	Core hole plug
34	1	VD20041	Zuigerkoeloliesproeier	Piston cool.nozzle
35	1	VD20019	Plug	Slotted plug
36	1	VD60100	Bus	Bush
37	1	VD60099	Bout M8x35	Bolt M8x35
38	1	VD60098	Tandwiel	Toothed gear

groep/ group	blz./ page	type	omschrijving/description	datum/date
2	1	DT43 - DTA43	Cilinderblok Crankcase	03 06 98



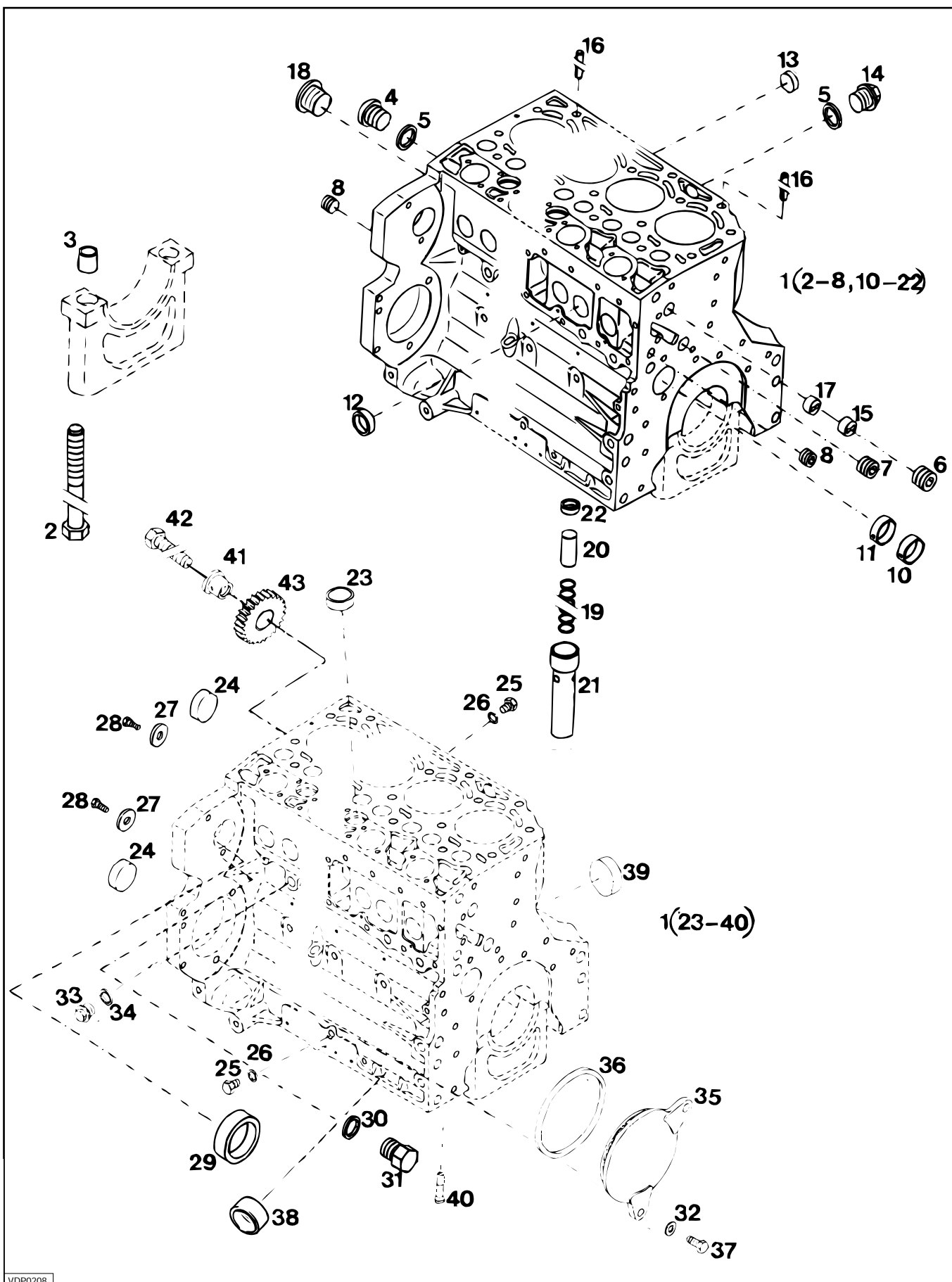
onderdelencatalogus parts catalogue



groep/ group	blz./ page	type	omschrijving/description	datum/date
2	2	DT64 - DTA64	Cilinderblok Crankcase	07 05 97

pos.	qty	part	benaming	description
1	1	VD20015	Cilinderblok	Crankcase
2	14	VD20002	Bout	Hexagon set screw
3	14	VD20003	Bus	Dowel bush
4	1	VD20004	Plug M14x1,5	Screw plug M14x1.5
5	3	VD20272	Afdichtring	Sealing ring
6	1	VD20006	Plug M30x1,5	Screw plug M30x1.5
7	1	VD20007	Plug M22x1,5	Screw plug M22x1.5
8	2	VD20008	Plug M14x1,5	Screw plug M14x1.5
10	6	VD20009	Lagerbus	Wrapped bear bush
11	1	VD20016	Lagerbus	Wrapped bear bush
12	9	VD20010	Plug	Core hole plug
13	6	VD20114	Plug	Core hole plug
14	2	VD20012	Plug M14x1,5	Screw plug M14x1.5
15	1	VD20013	Geleidebus	Guide sleeve
16	2	VD20014	Klembus B15x18	Clamping bush B15x18
17	1	VD20018	Geleidebus	Guide sleeve
18	1	VD20019	Plug M22x1,5	Slotted plug M22x1.5
19	1	VD20020	Veer	Compression spring
20	1	VD20021	Plunjer	Valve plunger
21	1	VD20022	Bus	Sleeve
22	1	VD20023	Ring	Ring
23	1	VD20024	Plug	Core hole plug
24	2	VD20025	Bus	Shutter bush
25	2	VD20026	Bout M8x10	Hexagon bolt M8x10
26	2	VD20027	Afdichtring	Sealing ring
27	2	VD20028	Ring	Plain washer
28	2	VD20029	Bout M8x16	Hexagon bolt M8x16
29	1	VD20030	Plug	Core hole plug
30	2	VD20031	Afdichtring	Sealing ring
31	2	VD20032	Plug	Screw plug
32	2	VD20033	Ring	Plain washer
33	1	VD20012	Plug M14x1,5	Screw plug M14x1.5
34	1	VD20272	Afdichtring	Sealing ring
35	1	VD20036	Deksel	Cover
36	1	VD20037	O-ring 98x3	O-seal 98x3
37	2	VD20038	Bout M10x20	Hexagon bolt M10x20
38	1	VD20114	Plug	Core hole plug
39	1	VD20040	Plug	Core hole plug
40	1	VD20041	Zuigerkoeloliesproeier	Piston cool.nozzle
41	1	VD60100	Bus	Bush
42	1	VD60099	Bout M8x35	Bolt M8x35
43	1	VD60098	Tandwiel	Toothhead gear

groep/ group	blz./ page	type	omschrijving/description	datum/date
2	2	DT64 - DTA64	Cilinderblok Crankcase	07 05 97



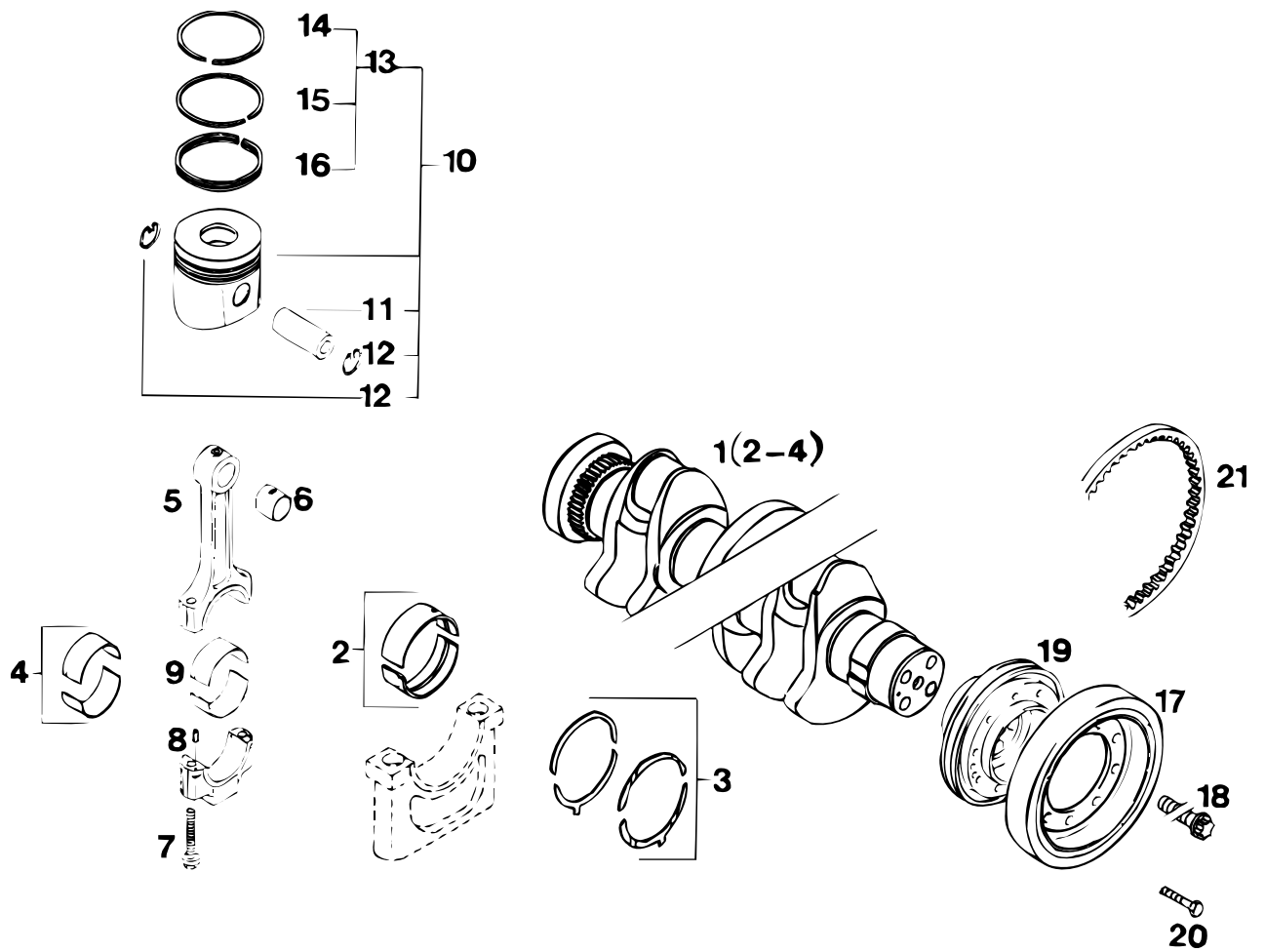
onderdelencatalogus parts catalogue



groep/ group	blz./ page	type	omschrijving/description	datum/date
2	3	DT43 - DTA43	Krukas Crankshaft	07 05 97

pos.	qty	part	benaming	description
1	1	VD20042	Krukas	Crankshaft
2	5	VD20044	Hoofdlager	standaard A 74.00 Main bearing standard A 74.00
				ondermaat B 953 for undersize see item B 953
3	1	VD20045	Stopring	standaard A 2.4 Thrust washer standard A 2.4
				overmaat B 953 for oversize see item B 953
4	4	VD20046	Drijfstanglager	standaard A 58.00 Big end bearing standard A 58.00
				ondermaat B 954 or undersize see item B 954
950	1	VD20047	Ruilkrukas	Exchange crankshaft
			vervangingsdeel A 1	rebuilt part item A 1
			compleet met B 951,953,954	compl. with item B 951,953,954
951	5	VD20049	Hoofdlager 1ste ondermaat	Main bearing 1st undersize
			73,75 mm RD	73.75 mm RD
953	1	VD20050	Stopring 1ste bovenmaat	Thrust washer 1st oversize
			2,6 mm	2.6 mm
954	4	VD20051	Drijfstanglager	Big end bearing 1st undersize
			1ste ondermaat 57,75 mm RD	57.75 mm RD
955	5	VD20052	Hoofdlager 2de ondermaat	Main bearing 2nd undersize
			73,50 mm	73.50 mm
956	4	VD20053	Drijfstanglager	Big end bearing 2nd undersize
			2de ondermaat 57,50 mm	57.50 mm
5	1	VD20054	Drijfstang	Connecting rod
6	1	VD20055	Bus	Big end bush
7	2	VD20056	Bout	Big end bolt
8	2	VD20057	Pin	Straight pin
9	1	VD20058	Drijfstanglager	Big end bearing standard A 58.00
			std. A 58.00	for undersize see item B 951
			ondermaat B 951	
951	1	VD20051	Drijfstanglager	Big end bearing 1st undersize
			1ste ondermaat 57,75 mm RD	57,75 mm RD
10	1	VD20060	Zuiger	Piston
11	1	VD20061	Zuigerpen	Piston pin
12	2	VD20062	Borgveer	Snap ring
13	1	VD20063	Zuigerringen	Set pist. rings
14	1	VD20064	Trapezoïde ring	Trapezoidal ring
15	1	VD20065	Afdichtveer	Taper-faced ring
16	1	VD20066	Olieschraapveer	Oil scraper spring
17	1	VD20067	Demper	Vibration damper
18	4	VD20069	Bout M16x1,5x80	Torx-head bolt M16x1,5x80
19	1	VD20070	V-snaar schijf	V-grooved pulley
20	9	VD20073	Bout	Hexagon bolt
21	1	STM8787	V-snaar	Narrow V-belt

groep/ group	blz./ page	type	omschrijving/description	datum/date
2	3	DT43 - DTA43	Krukas Crankshaft	07 05 97



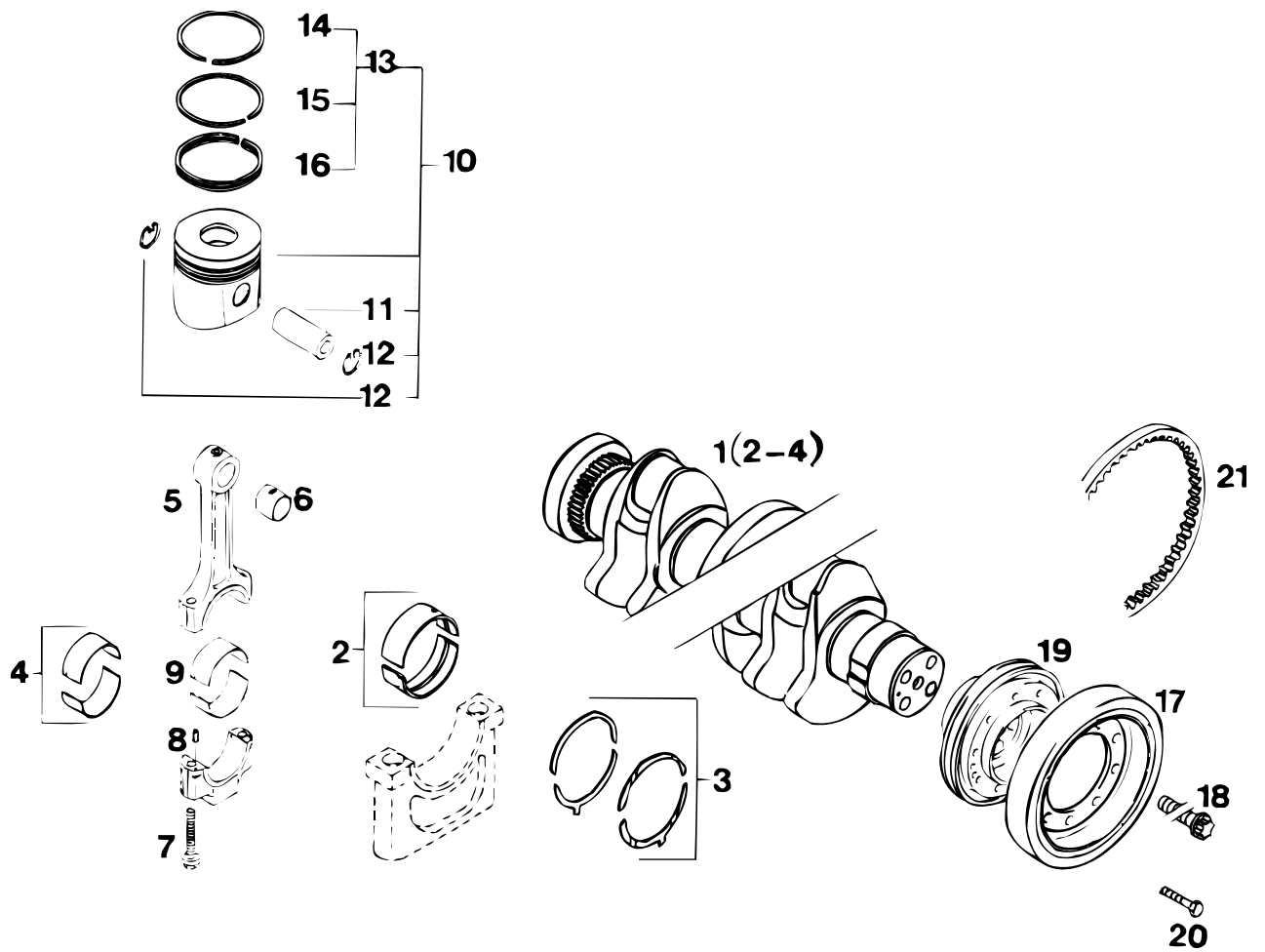
onderdelencatalogus parts catalogue



groep/ group	blz./ page	type	omschrijving/description	datum/date
2	4	DT64 - DTA64	Krukas Crankshaft	07 05 97

pos.	qty	part	benaming	description
1	1	VD20043	Krukas	Crankshaft
2	7	VD20044	Hoofdlager	standaard A 74,00 Main bearing standard A 74.00
				ondermaat B 951 for undersize see item B 951
3	1	VD20045	Stopring	standaard A 2,4 Thrust washer standard A 2.4
				bovenmaat B 953 for oversize see item B 953
4	6	VD20046	Drijfstanglager	standaard A 2,4 Big end bearing standard A 2.4
				ondermaat B953 for undersize see item B 953
950	1	VD20048	Ruilkrukas Vervangingsdeel A 1	Exchange crankshaft rebuilt part item A 1
			Compleet met B 951,953,954	compl. with item B 951,953,954
951	7	VD20049	Hoofdlager 1ste ondermaat	Main bearing 1st undersize
			73,75 mm RD	73.75 mm RD
953	1	VD20050	Stopring 1ste overmaat	Thrust washer 1st oversize
			2,6 mm	2.6 mm
954	6	VD20051	Drijfstanglager	Big end bearing 1st undersize
			1ste ondermaat 57,75 mm RD	57.75 mm RD
955	7	VD20052	Hoofdlager 2de ondermaat	Main bearing 2nd undersize
			73,50 mm	73.50 mm
956	6	VD20053	Drijfstanglager	Big end bearing 2nd undersize
			2de ondermaat 57,50 mm	57.50 mm
5	1	VD20054	Drijfstang	Connecting rod
6	1	VD20055	Bus	Big end bush
7	2	VD20056	Bout	Big end bolt
8	2	VD20057	Pin	Straight pin
9	1	VD20058	Drijfstanglager	Big end bearing standard A 58.00
			std. A 58.00	for undersize see item B 951
			ondermaat B 951	
951	1	VD20051	Drijfstanglager	Big end bearing 1st undersize
			1ste ondermaat 57,75 mm RD	57,75 mm RD
10	1	VD20060	Zuiger	Piston
11	1	VD20061	Zuigerpen	Piston pin
12	2	VD20062	Borgveer	Snap ring
13	1	VD20063	Zuigerringen	Set of piston rings
14	1	VD20064	Compressieveer	Trapezoidal spring
15	1	VD20065	Afdichtveer	Taper-faced spring
16	1	VD20066	Olieschraapveer	Oil scraper spring
17	1	VD20068	Demper DT64	Vibration damper DT64
	1	VD20322	Demper DTA64	Vibration damper DTA64
18	4	VD20069	Bout M16x1,5x80	Torx head bolt M16x1.5x80
19	1	VD20070	V-snaarschijf	V-grooved pulley
20	9	VD20073	Bout	Hexagon bolt
21	1	STM8787	V-snaar	Narrow V-belt

groep/ group	blz./ page	type	omschrijving/description	datum/date
2	4	DT64 - DTA64	Krukas Crankshaft	07 05 97



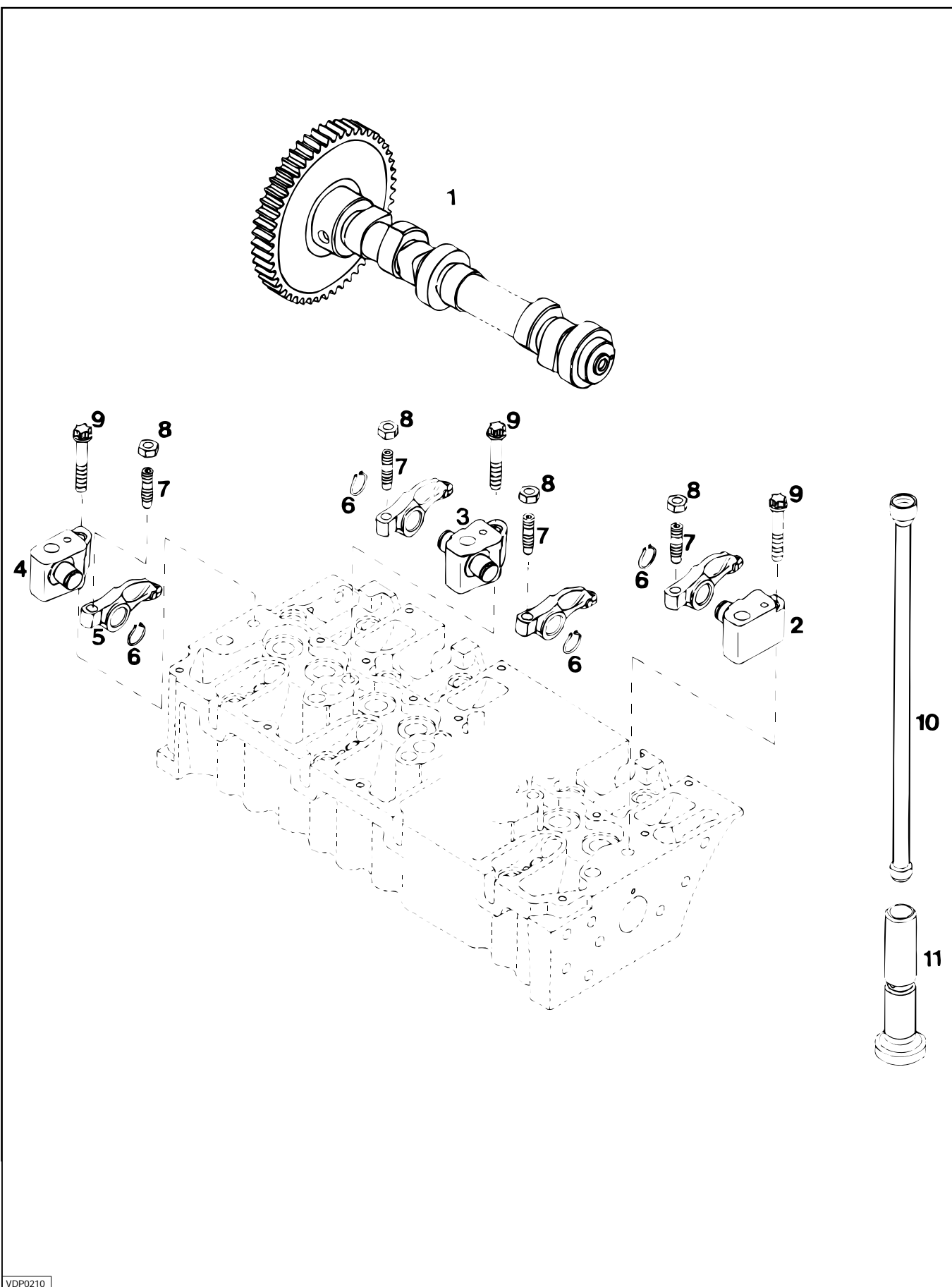
onderdelencatalogus parts catalogue



groep/ group 2	blz./ page 5	type DT43 - DTA43	omschrijving/description Nokkenas Camshaft	datum/date 07 05 97
----------------------	--------------------	----------------------	--	------------------------

pos.	qty	part	benaming	description
1	1	VD20074	Nokkenas	Camshaft
2	1	VD20076	Steun tuimelaar	Rocker arm bracket
3	3	VD20077	Steun tuimelaar	Rocker arm bracket
4	1	VD20078	Steun tuimelaar	Rocker arm bracket
5	8	VD20079	Tuimelaar	Rocker arm
6	8	VD20080	Veerring	Circlip
7	8	VD20081	Stelschroef	Adjusting screw
8	8	VD20082	Moer	Hexagon nut
9	5	VD20083	Bout M8x45	Torx-head bolt M8x45
10	2	VD20084	Stoterstang	Pushrod
11	2	VD20085	Klepstoter	Tappet

groep/ group	blz./ page	type	omschrijving/description	datum/date
2	5	DT43 - DTA43	Nokkenas Camshaft	07 05 97



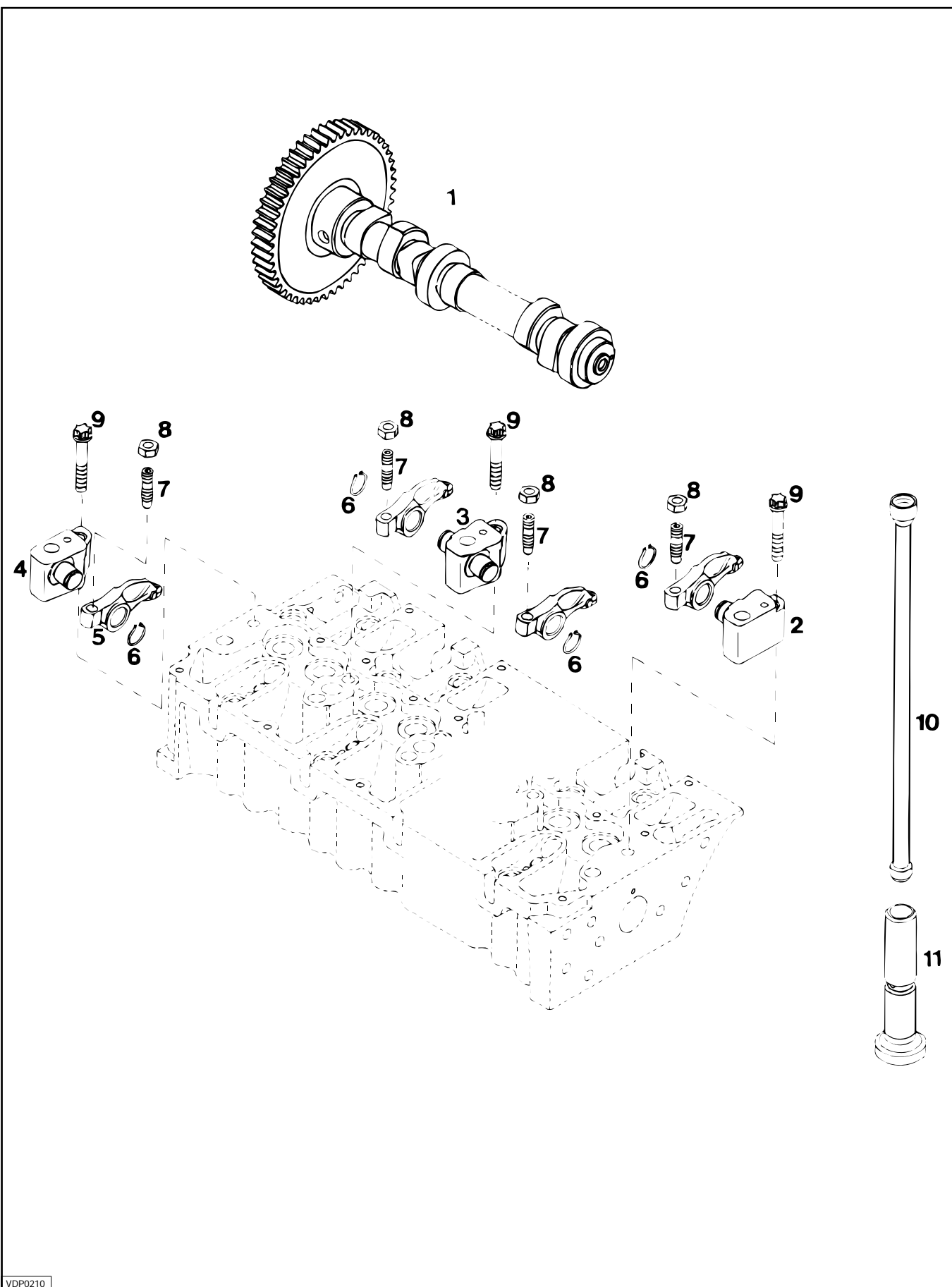
onderdelencatalogus parts catalogue



groep/ group 2	blz./ page 6	type DT64 - DTA64	omschrijving/description Nokkenas Camshaft	datum/date 07 05 97
----------------------	--------------------	----------------------	--	------------------------

pos.	qty	part	benaming	description
1	1	VD20075	Nokkenas DT64	Camshaft DT64
	1	VD20335	Nokkenas DTA64	Camshaft DTA64
2	1	VD20076	Steun tuimelaar	Rocker arm bracket
3	5	VD20077	Steun tuimelaar	Rocker arm bracket
4	1	VD20078	Steun tuimelaar	Rocker arm bracket
5	12	VD20079	Tuimelaar	Rocker arm
6	12	VD20080	Veerring	Circlip
7	12	VD20081	Stelschroef	Adjusting screw
8	12	VD20082	Moer	Hexagon nut
9	7	VD20083	Bout M8x45	Torx-head bolt M8x45
10	2	VD20084	Stoterstang	Pushrod
11	2	VD20085	Klepstoter	Tappet

groep/ group	blz./ page	type	omschrijving/description	datum/date
2	6	DT64 - DTA64	Nokkenas Camshaft	07 05 97



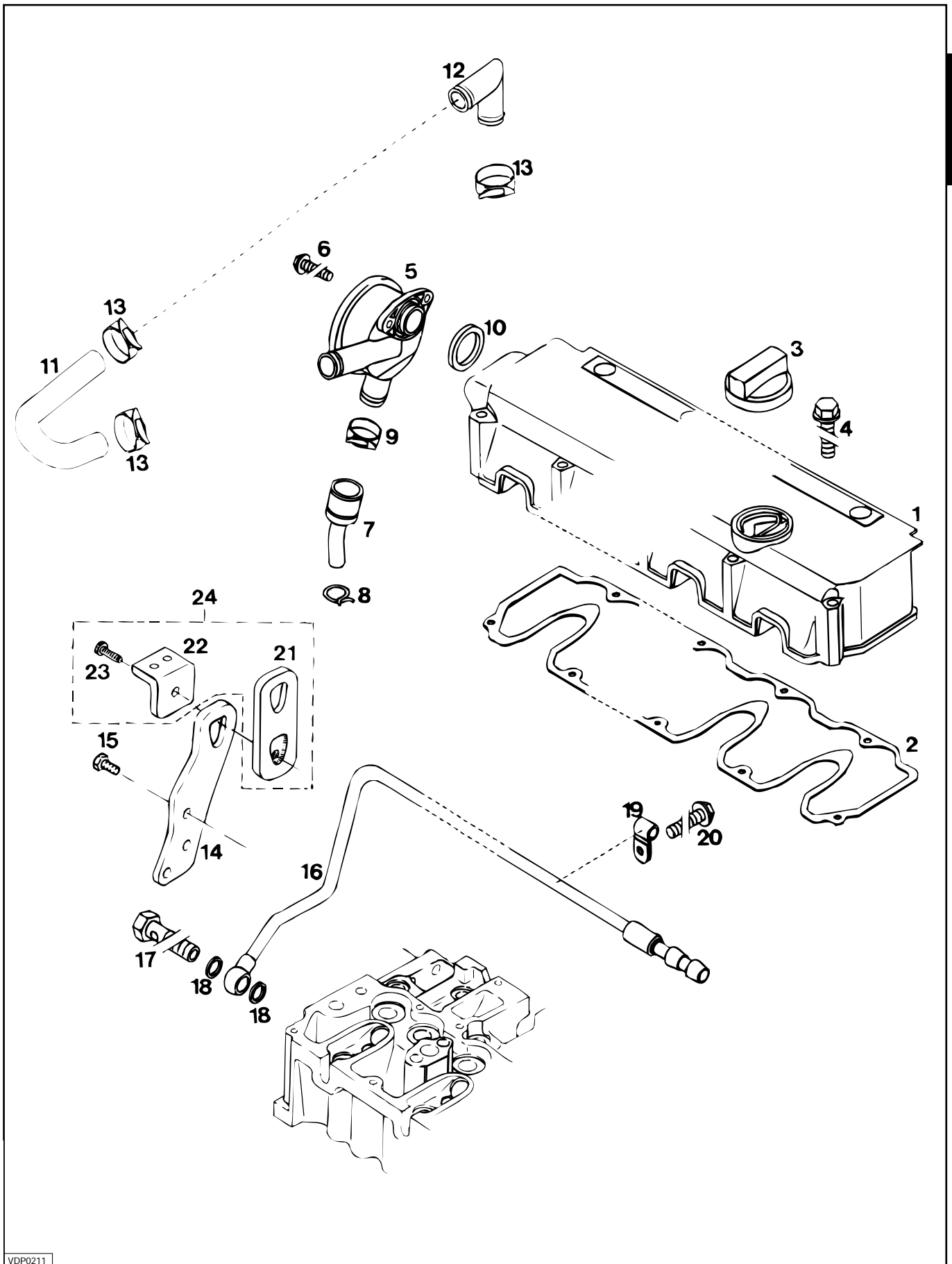
onderdelencatalogus parts catalogue



groep/ group 2	blz./ page 7	type DT43 - DTA43	omschrijving/description Kleppendecksel + carterventilatie Mechanical valve cover	datum/date 11 11 02
----------------------	--------------------	----------------------	---	------------------------

pos.	qty	part	benaming	description
1	1	VD20086	Kleppendecksel	Valve mechan. cover
2	1	VD20288	Pakking	Gasket
3	1	VD20089	Vuldop	Fillercap
4	9	VD20090	Bout M6x75	Hexagon bolt M6x75
5	1	VD20091	Drukventiel	Pressure regulator
6	2	VD20092	Bout M6x20	Hexagon bolt M6x20
7	1	VD20093	Rubberslang	Rubber sleeve
8	1	VD20094	Slangklem	Hose clip
9	1	VD20095	Slangklem	Spring band clamp
10	1	VD20096	Pakking	Gasket
11	1	VD20101	Slang	Bleeding tube
12	1	VD20102	Bocht DT43	Elbow DT43
	1	VD20304	Bocht DTA43	Elbow DTA43
13	3	VD20103	Slangklem	Spring band clamp
14	1	VD20104	Hijsoog	Suspensing plate
15	3	VD20105	Bout M10x22	Hexagon bolt M10x22
16	1	STM8291	Ontluchtingsleiding DT43	Pipeline DT43
	1	VD20317	Ontluchtingsleiding DTA43	Pipeline DTA43
17	1	VD20106	Banjo bout	Hollow screw
18	2	VD20031	Afdichtring	Sealing ring
19	2	VD20108	Pijpklem	Pipe clamp
20	2	VD20109	Bout M6x12	Hexagon bolt M6x12
21	1	STM8428	Hijsoog	Suspensing plate
22	1	STM8429	Borgplaat	Safetyplate
23	1	STM4016	Bout M10x20	Hexagon bolt M10x20
24	1	STM8427	Hijsoog compleet	Suspensing plate cpl.

groep/ group	blz./ page	type	omschrijving/description	datum/date
2	7	DT43 - DTA43	Kleppendecksel + carterventilatie Mechanical valve cover	07 05 97



onderdelencatalogus parts catalogue



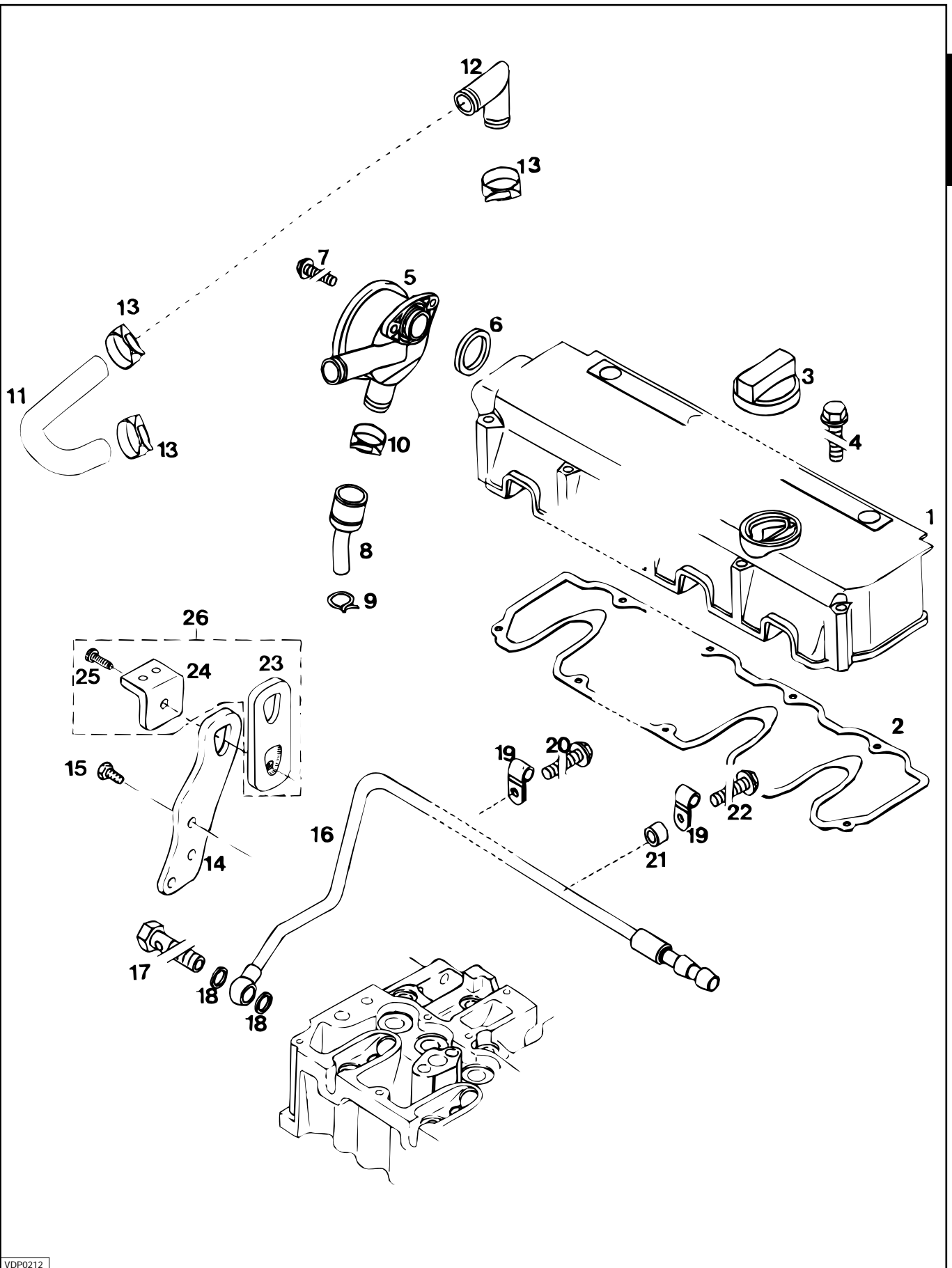
groep/ group 2	blz./ page 8	type DT64 - DTA64	omschrijving/description Kleppendecksel + carterventilatie Mechanical valve cover	datum/date 11 11 02
----------------------	--------------------	----------------------	---	------------------------

pos.	qty	part	benaming	description
1	1	VD20087	Kleppendecksel DT64	Valve mechan. cover DT64
	1	VD20338	Kleppendecksel DTA64	Valve mechan. cover DTA64
2	1	VD20278	Pakking	Gasket
3	1	VD20089	Vuldop	Fillercap
4	13	VD20140	Bout M6x75	Hexagon bolt M6x75
5	1	VD20097	Drukventiel DT64	Pressure regulator DT64
	1	VD20091	Drukventiel DTA64	Pressure regulator DTA64
6	1	VD20098	O-ring 52x5 DT64	O-seal 52x5 DT64
	1	VD20096	Pakking DTA64	Gasket DTA64
7	2	VD20099	Bout M6x30 DT64	Hexagon bolt M6x30 DT64
	1	VD20092	Bout M6x20 DTA64	Hexagon bolt M6x20 DTA64
8	1	VD20100	Rubberslang DT64	Rubber sleeve DT64
	1	VD20093	Rubberslang DTA64	Rubber sleeve DTA64
9	1	VD20094	Slangklem	Hose clip
10	1	VD20095	Slangklem	Spring band clamp
11	1	VD20101	Slang	Bleeding tube
12	1	VD20102	Bocht DT64	Elbow DT64
	1	VD20304	Bocht DTA64	Elbow DTA64
13	3	VD20095	Slangklem	Spring band clamp
14	1	VD20104	Hijsoog	Suspensing plate
15	3	VD20105	Bout M10x22	Hexagon bolt M10x22
16	1	STM8292	Ontluchtungsleiding	Pipeline
17	1	VD20106	Banjo bout	Hollow screw
18	2	VD20031	Afdichtring	Sealing ring
19	3	VD20108	Pijpklem	Pipe clamp
20	2	VD20109	Bout M6x12	Hexagon bolt M6x12
21	1	VD20116	Bus	Spacer bush
22	1	VD20111	Bout M6x90	Hexagon bolt M6x90
23	1	STM8428	Hijsoog	Suspensing plate
24	1	STM8429	Borgplaat	Safetyplate
25	1	STM4016	Bout M10x20	Hexagon bolt M10x20
26	1	STM8427	Hijsoog compleet	Suspensing plate cpl.

onderdelencatalogus parts catalogue



groep/ group	blz./ page	type	omschrijving/description	datum/date
2	8	DT64 - DTA64	Kleppendecksel + carterventilatie Mechanical valve cover	07 05 97



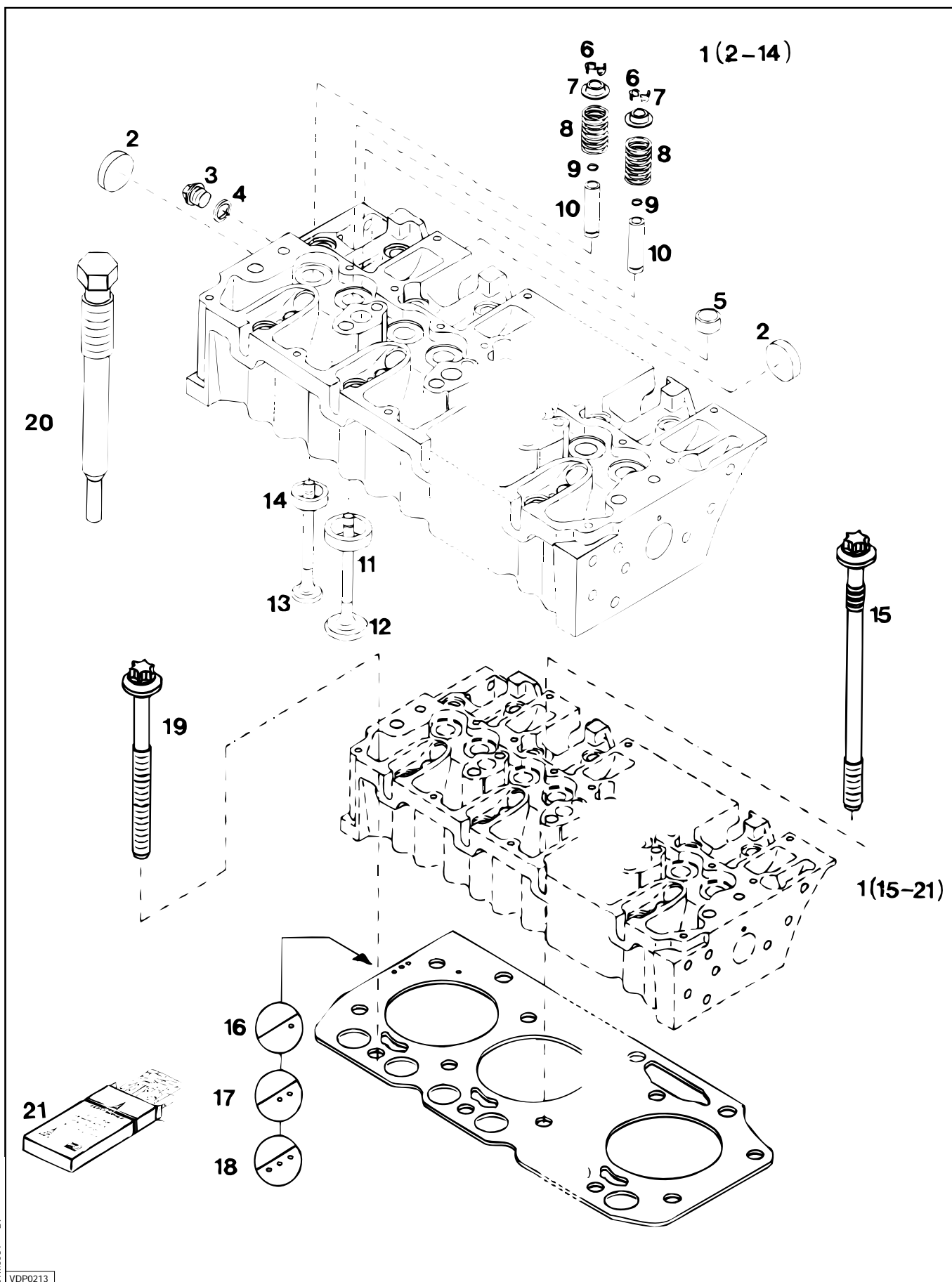
onderdelencatalogus parts catalogue



groep/ group	blz./ page	type	omschrijving/description	datum/date
2	9	DT43 - DTA43	Cilinderkop Cylinder head	07 05 97

pos.	qty	part	benaming	description
1	1	VD20112	Cilinderkop	Cylinder head
2	4	VD20114	Plug	Core hole plug
3	NB	VD20115	Plug M10x1	Screw plug M10x1
4	NB	VD20031	Afdichtring	Sealing ring
5	3	VD20117	Plug	Core hole plug
6	16	VD20118	Halve kegelspie	Valve collet
7	8	VD20119	Kegel	Spring cap
8	8	VD20120	Veer	Compression spring
9	8	VD20121	O-ring 8x1,5	O-seal 8x1.5
10	8	VD20122	Klepgeleider	Valve guide
11	4	VD20123	Klepzitting	Valve seat insert
12	4	VD20124	Inlaatklepzitting	inlet valve
13	4	VD20125	Uitlaatklepzitting	Exhaust valve
14	4	VD20126	Klepzitting	Valve seat insert
15	5	VD20132	Cilinderkopschroef	Cylinder head bolt
16	NB	VD20128	Cilinderkoppakking 1.54 mm	Cylinder head gasket 1.54 mm
17	NB	VD20129	Cilinderkoppakking 1.64 mm	Cylinder head gasket 1.64 mm
18	NB	VD20130	Cilinderkoppakking 1.74 mm	Cylinder head gasket 1.74 mm
19	13	VD20131	Cilinderkopschroef	Cylinder head bolt
20	4	VD20136	Afdichtbout	Blanking parts
21	1	VD20137	Pakking set	Gasket set

groep/ group	blz./ page	type	omschrijving/description	datum/date
2	9	DT43 - DTA43	Cilinderkop Cylinder head	07 05 97



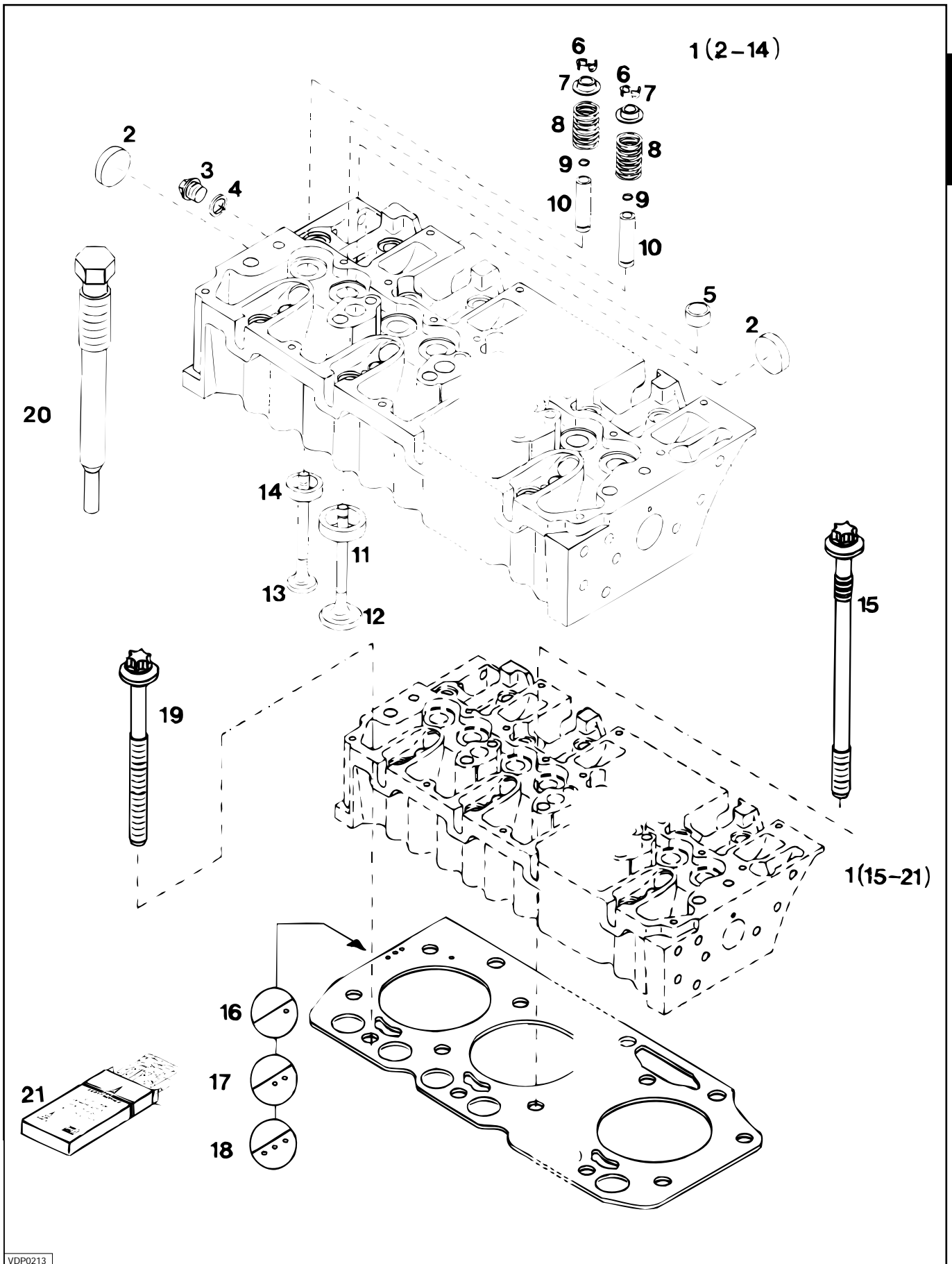
onderdelencatalogus parts catalogue



groep/ group 2	blz./ page 10	type DT64 - DTA64	omschrijving/description Cilinderkop Cylinder head	datum/date 07 05 97
----------------------	---------------------	----------------------	--	------------------------

pos.	qty	part	benaming	description
1	1	VD20113	Cilinderkop	Cylinder head
2	6	VD20114	Plug	Core hole plug
3	1	VD20115	Plug M10x1	Screw plug M10x1
4	1	VD20031	Afdichtring	Sealing ring
5	5	VD20117	Plug	Core hole plug
6	24	VD20118	Halve kegelspie	Valve collet
7	12	VD20119	Kegel	Spring cap
8	12	VD20120	Veer	Compression spring
9	12	VD20121	O-ring 8x1,5	O-seal 8x1.5
10	12	VD20122	Klepgeleider	Valve guide
11	6	VD20123	Klepzitting	Valve seat insert
12	6	VD20124	Inlaatklepzitting	inlet valve
13	6	VD20125	Uitlaatklepzitting	Exhaust valve
14	6	VD20126	Klepzitting	Valve seat insert
15	7	VD20132	Cilinderkopschroef	Cylinder head bolt
16	1	VD20133	Cilinderkoppakking 1.4 mm	Cylinder head gasket 1.4 mm
17	1	VD20134	Cilinderkoppakking 1.5 mm	Cylinder head gasket 1.5 mm
18	1	VD20135	Cilinderkoppakking 1.6 mm	Cylinder head gasket 1.6 mm
19	19	VD20131	Cilinderkopschroef	Cylinder head bolt
20	6	VD20136	Afdichtbout	Blanking parts
21	1	VD20138	Pakking set	Gasket set

groep/ group	blz./ page	type	omschrijving/description	datum/date
2	10	DT64 - DTA64	Cilinderkop Cylinder head	07 05 97



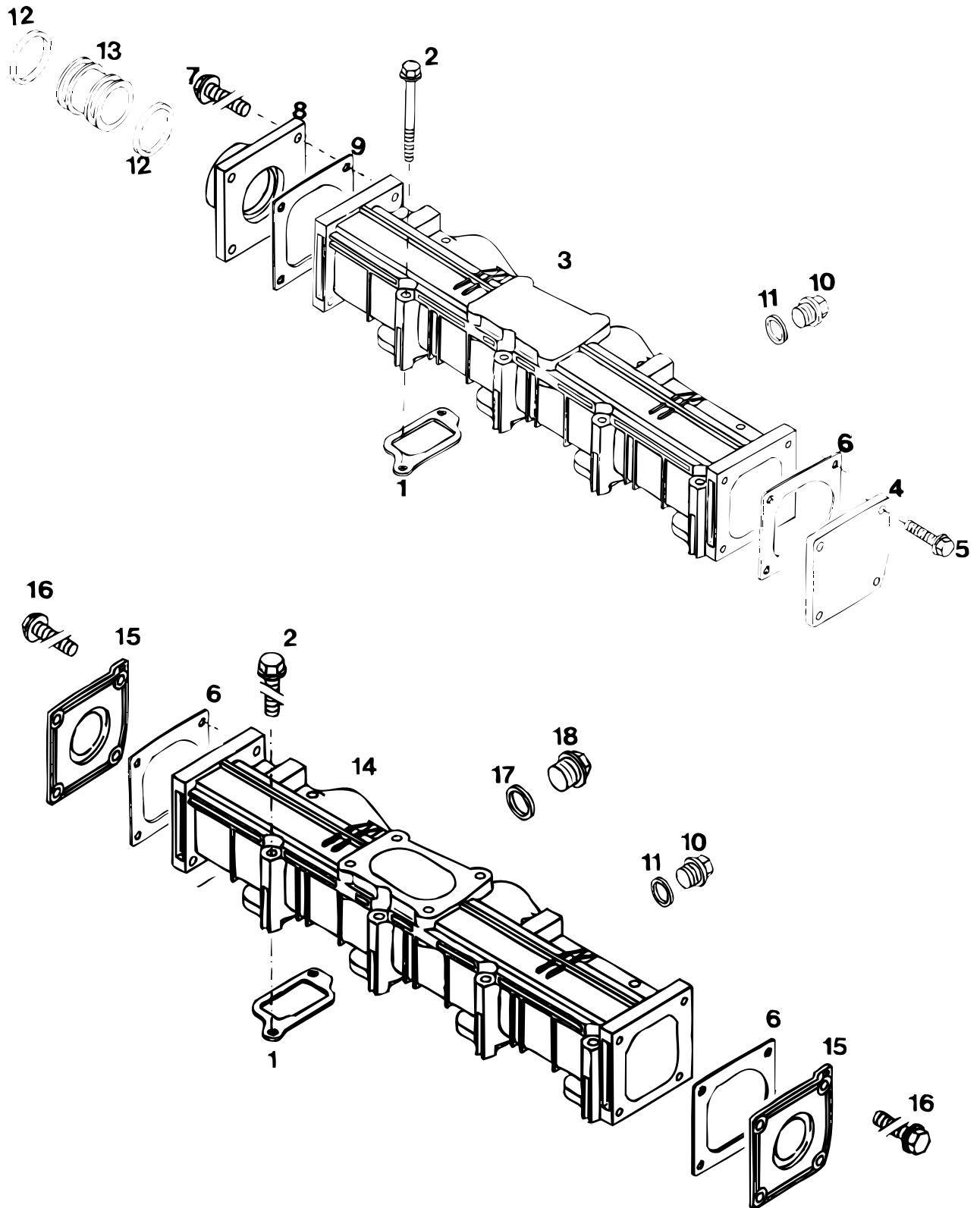
onderdelencatalogus parts catalogue



groep/ group	blz./ page	type	omschrijving/description	datum/date
2	11	DT43 - DTA43	Luchtinlaatspruitstuk Air intake manifold	07 05 97

pos.	qty	part	benaming	description
1	4	VD20139	Pakking	Gasket
2	8	VD20140	Bout M6x75	Hexagon bolt M6x75
3	1	VD20141	Luchtinlaatspruitstuk DT43	Air intake manifold DT43
4	1	VD20143	Deksel	Cover
5	4	VD20146	Bout M6x25 DT43	Hexagon bolt M6x25 DT43
6	1	VD20145	Pakking	Gasket
7	4	VD20146	Bout M6x25	Hexagon bolt M6x25
8	1	VD20147	Deksel	Interm. flange
9	1	VD20145	Pakking	Gasket
10	1	VD20150	plug M14x1,5	Screw plug M14x1.5
11	1	VD20272	Afdichtring	Sealing ring
12	2	VD20152	O-ring 35x6	O-seal 35x6
13	1	VD20153	Pijp	Pipe
14	1	VD20306	Luchtinlaatspruitstuk DTA43	Air intake manifold DTA43
15	2	VD20313	Deksel	Cover
16	4	VD20315	Bout M6x16 DTA43	Bolt M6x16 DTA43
17	1	VD20031	Afdichtring DTA43	Sealing ring DTA43
18	1	VD20115	Plug M10x1 DTA43	Plug M10x1 DTA43

groep/ group	blz./ page	type	omschrijving/description	datum/date
2	11	DT43 - DTA43	Luchtinlaatspruitstuk Air intake manifold	07 05 97



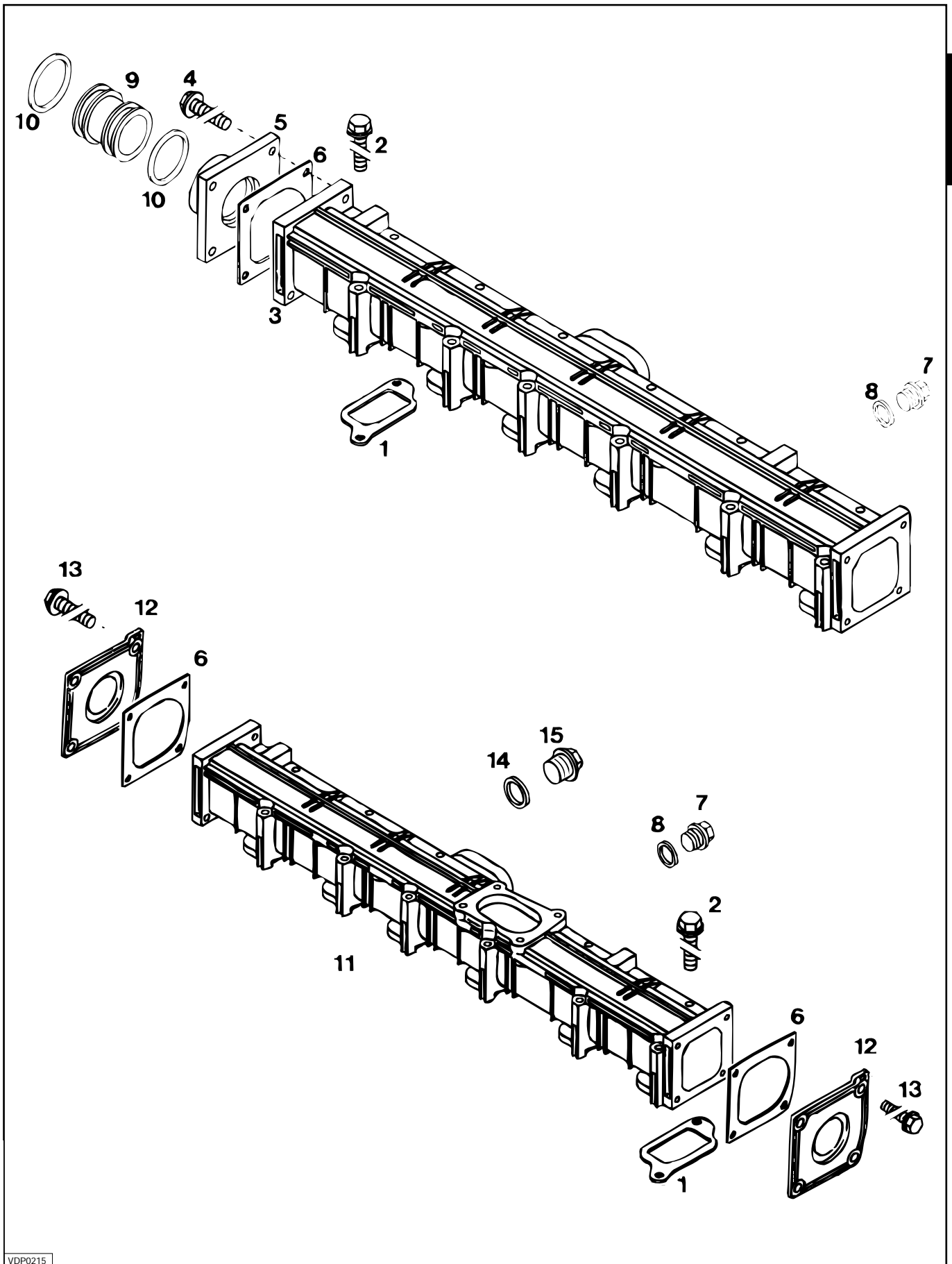
onderdelencatalogus parts catalogue



groep/ group 2	blz./ page 12	type DT64 - DTA64	omschrijving/description Luchtinlaatspruitstuk Air intake manifold	datum/date 07 05 97
----------------------	---------------------	----------------------	--	------------------------

pos.	qty	part	benaming	description
1	6	VD20139	Pakking	Gasket
2	12	VD20140	Bout M6x75	Hexagon bolt M6x75
3	1	VD20142	Luchtinlaatspruitstuk DT64	Air intake manifold DT64
4	4	VD20146	Bout M6x25 DT64	Hexagon bolt M6x25 DT64
5	1	VD20149	Deksel	Interm. flange
6	1	VD20148	Pakking	Gasket
7	1	VD20150	Plug 14x1,5	Screw plug 14x1,5
8	1	VD20272	Afdichtring	Sealing ring
9	1	VD20154	Plug DT64	Plug DT64
10	2	VD20155	O-ring 40x6 DT64	O-seal 40x6 DT64
11	1	VD20338	Luchtinlaatspruitstuk DTA64	Air intake manifold DTA64
12	2	VD20313	Deksel	Cover
13	4	VD20181	Bout M6x16 DTA64	Bolt M6x16 DTA64
14	1	VD20115	Plug M10x1 DTA64	Plug M10x1 DTA64
15	1	VD20031	Afdichtring DTA64	Sealing ring DTA64

groep/ group	blz./ page	type	omschrijving/description	datum/date
2	12	DT64 - DTA64	Luchtinlaatspruitstuk Air intake manifold	07 05 97



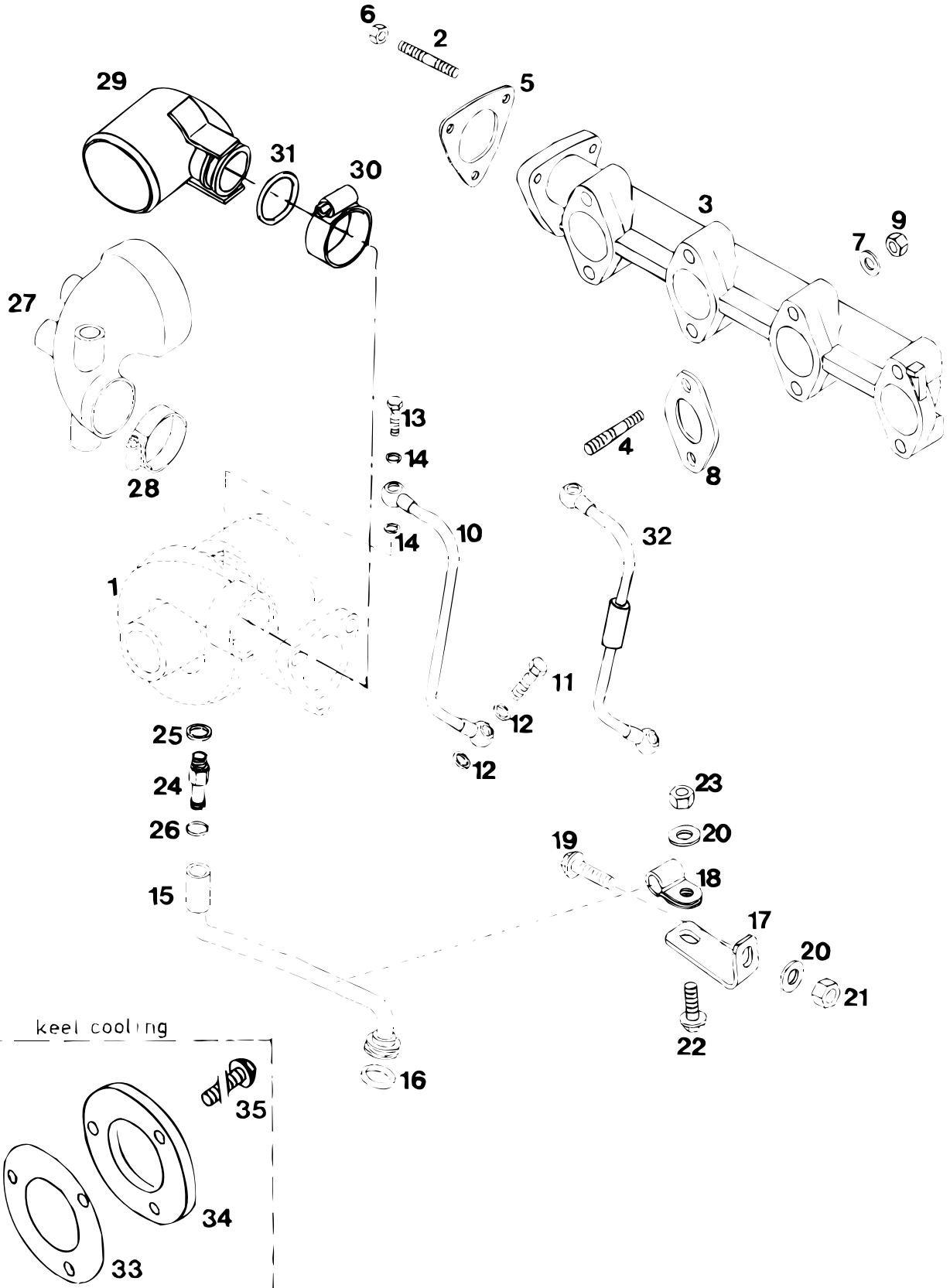
onderdelencatalogus parts catalogue



groep/ group	blz./ page	type	omschrijving/description	datum/date
2	13	DT43 - DTA43	Turbocrompres. + uitlaatspruitst. Turbocharger + exh. manifold	06 10 97

pos.	qty	part	benaming	description
1	1	VD20156	Turbocompressor DT43	Turbocharger DT43
	1	VD20289	Turbocompressor DTA43	Turbocharger DTA43
2	3	VD20158	Tapeind M8x25	Stud M8x25
3	1	VD20159	Uitlaatspruitstuk	Manifold
4	8	VD20160	Tapeind	Stud
5	1	VD20161	Pakking	Gasket
6	3	VD20162	Moer M8	Hexagon nut M8
7	8	VD20163	Ring	Plain washer
8	4	VD20164	Pakking	Gasket
9	8	VD20165	Moer M8	Hexagon nut M8
10	1	VD20169	Aanvoerpijp	Feed line
11	1	VD20170	Banjobout	Hollow screw
12	2	VD20272	Afdichtring	Sealing ring
13	1	VD20172	Banjobout	Hollow screw
14	2	VD20173	Afdichtring	Sealing ring
15	1	VD20174	Retourpijp	Return line
16	1	VD20175	O-ring 22x3,5	O-seal 22x3.5
17	1	VD20176	Steun	Support
18	1	VD20177	Pijpklem	Pipe clamp
19	1	VD20178	Bout M8x30	Hexagon bolt M8x30
20	2	VD20179	Ring	Plain washer
21	1	VD20180	Moer M8	Hexagon nut M8
22	1	VD20181	Bout M6x16	Hexagon bolt M6x16
23	1	VD20182	Moer M6	Hexagon nut M6
24	1	VD20188	Slangtule	Screw-in nipple
25	1	VD20189	Afdichtring	Sealing ring
26	1	VD20190	O-ring 12x3	O-seal 12x3
27	1	VD20194	Luchtinlaatbocht	Manifold
28	1	VD20196	Slangklem	Hose clamp
29	1	VD20307	Bocht DTA43	Manifold DTA43
30	1	VD20308	Slangklem DTA43	Hose clip DTA43
31	1	VD20309	O-ring DTA43	O-seal DTA43
32	1	VD20500	Aanvoerpijp	Feed line
33	1	STM8744	Pakking DT43	Gasket DT43
34	1	STM8707	Flens DT43	Flange DT43
35	3	STM8740	Bout M8x25 DT43	Bolt M8x25 DT43

groep/ group	blz./ page	type	omschrijving/description	datum/date
2	13	DT43 - DTA43	Turbocompres. + uitlaatspruitst. Turbocharger + exh. manifold	07 05 97



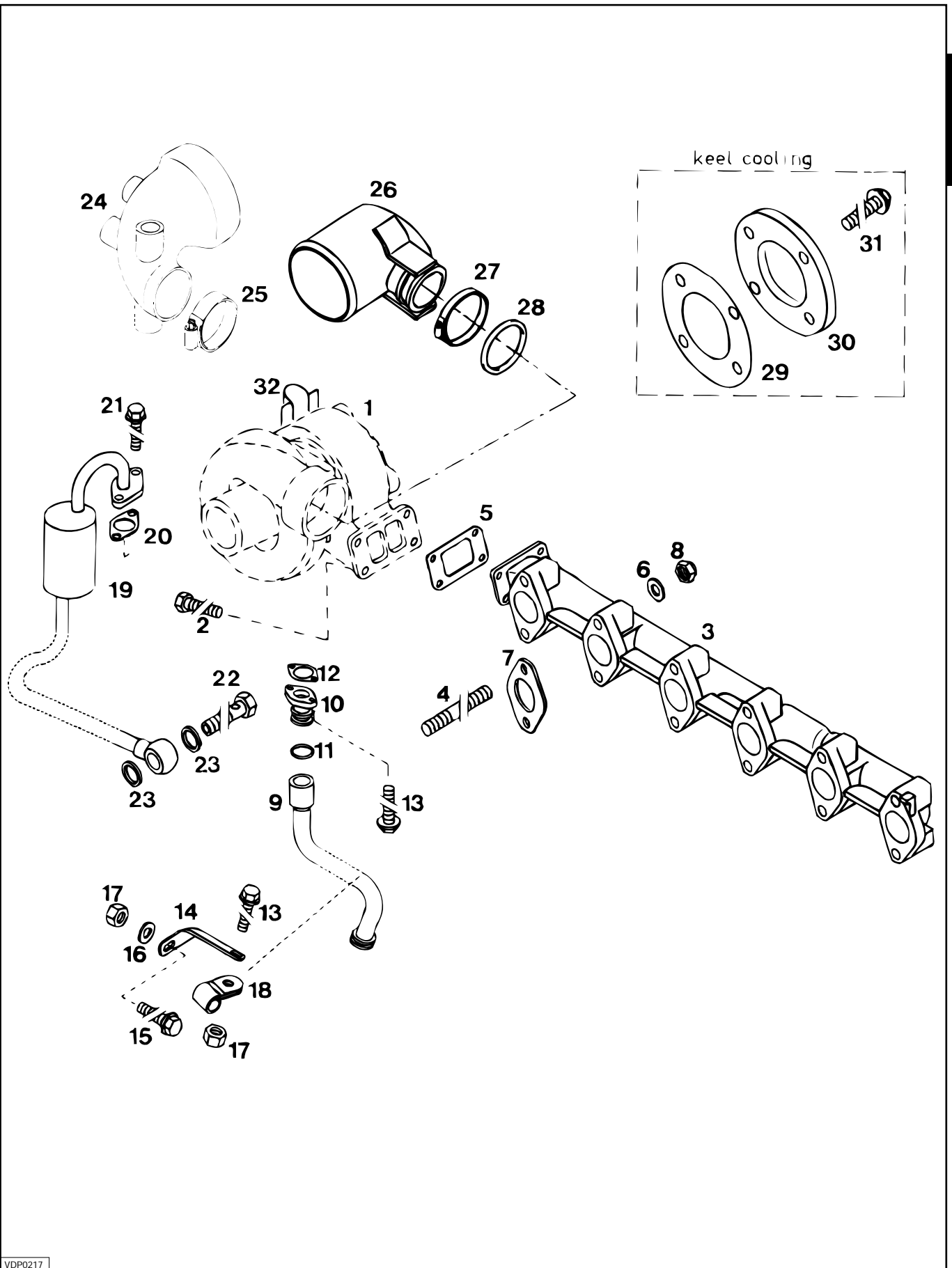
onderdelencatalogus parts catalogue



groep/ group	blz./ page	type	omschrijving/description	datum/date
2	14	DT64 - DTA64	Turbocrompres. + uitlaatspruitst. Turbocharger + exh. manifold	11 11 02

pos.	qty	part	benaming	description
1	1	VD20157	Turbocompressor	Turbocharger
2	4	VD20166	Bout	Hexagon bolt
3	1	VD20167	Uitlaatspruitstuk	Manifold
4	12	VD20160	Tapeind	Stud
5	1	VD20168	Pakking	Gasket
6	12	VD20163	Ring	Plain washer
7	6	VD20164	Pakking	Gasket
8	12	VD20165	Moer M8	Hexagon nut M8
9	1	VD20183	Retourpijp	Return line
10	1	VD20184	flens	Plug-in flange
11	2	VD20175	O-ring 22x3,5	O-seal 22x3.5
12	1	VD20185	Pakking	Gasket
13	3	VD20186	Bout M8x20	Hexagon bolt M8x20
14	1	VD20187	Steun	Support
15	1	VD20178	Bout M8x30	Hexagon bolt M8x30
16	1	VD20179	Ring	Plain washer
17	2	VD20180	Moer M8	Hexagon nut M8
18	1	VD20182	Pijpklem	Pipe clamp
19	1	VD20191	Aanvoerpijp DT64	Feed line DT64
	1	VD20340	Aanvoerpijp DTA64	Feed line DTA64
20	1	VD20192	Pakking	Gasket
21	2	VD20186	Bout M8x20	Hexagon bolt M8x20
22	1	VD20170	Banjobout	Hollow screw
23	2	VD20272	Afdichtring	Sealing ring
24	1	VD20195	Luchtinlaatbocht DT64	Manifold DT64
	1	VD20336	Luchtinlaatbocht DTA64	Manifold DTA64
25	1	VD20196	Slangklem	Hose clamp
26	1	VD20339	Bocht DTA64	Manifold DTA64
27	1	VD20315	Slangklem DTA64	Hose clip DTA64
28	1	VD20155	O-ring DTA64	O-seal DTA64
29	1	STM8745	Pakking DT64	Gasket DT64
30	1	STM8706	Flens DT64	Flange DT64
31	4	STM8740	Bout M8x25 DT64	Bolt M8x25 DT64
32	1	VD20696	Klemband turbo	Clamp turbo

groep/ group	blz./ page	type	omschrijving/description	datum/date
2	14	DT64 - DTA64	Turbocrompres. + uitlaatspruitst. Turbocharger + exh. manifold	04 12 02



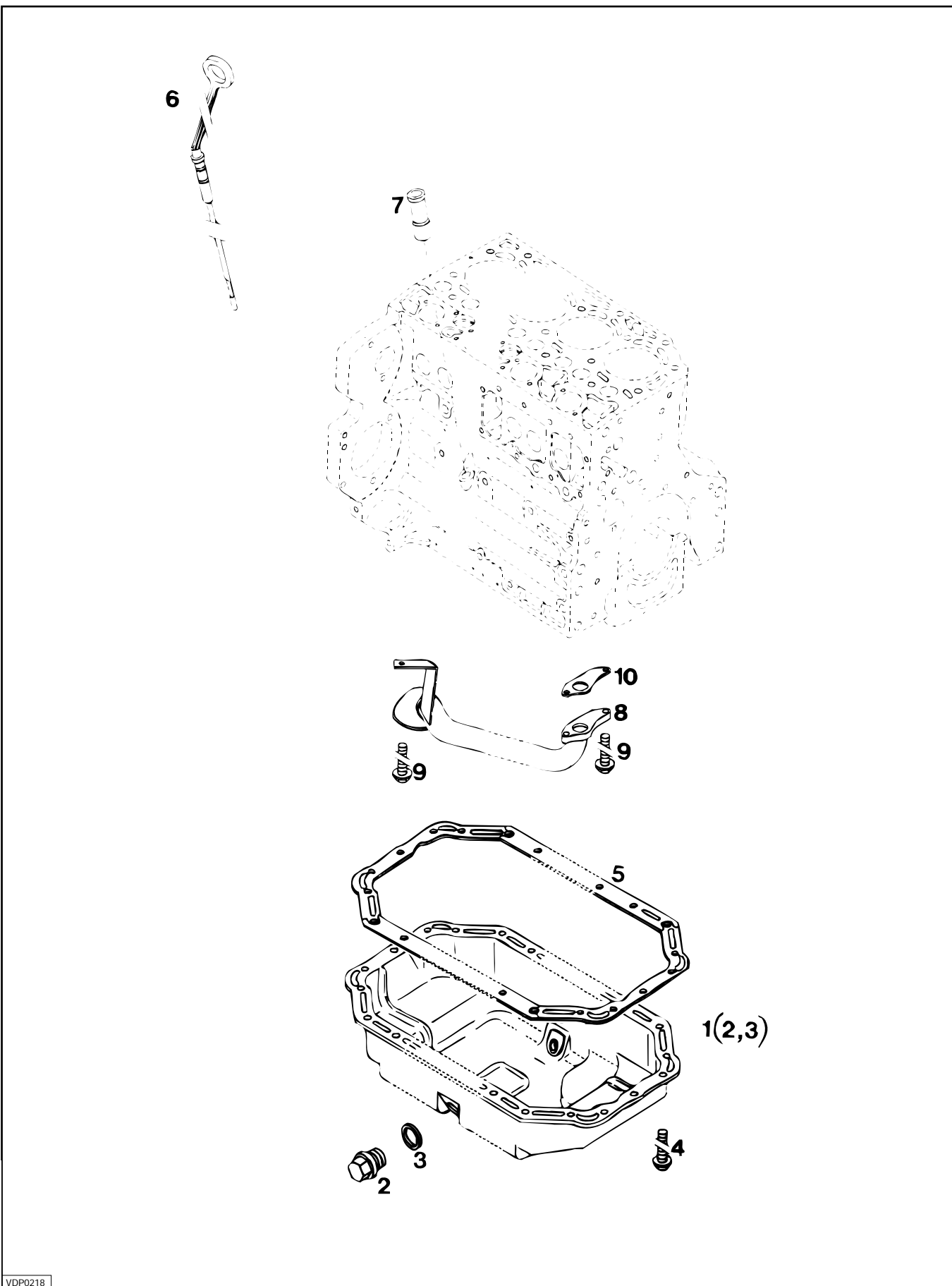
onderdelencatalogus parts catalogue



groep/ group 2	blz./ page 15	type DT43 - DTA43	omschrijving/description Carterpan Oil sump	datum/date 11 11 02
----------------------	---------------------	----------------------	---	------------------------

pos.	qty	part	benaming	description
1	1	VD20197	Carterpan	Oil sump
2	2	VD20276	Plug M18x1,5	Screw plug M18x1.5
3	2	VD20200	Afdichtring	Sealing ring
4	22	VD20201	Bout M18x16	Hexagon bolt M8x16
5	1	VD20202	Pakking	Gasket
6	1	VD20206	Peilstok standaard	Dipstick std.
	1	VD20700	Set verlengde peilstok (optie) DTA43	Set lengthened dipstick (option) DTA43
7	1	VD20208	Geleidingspijp	Guide tube
8	1	VD20209	Aanzuigpijp	Oil suction pipe
9	3	VD20211	Bout M8x25	Hexagon bolt M8x25
10	1	VD20212	Pakking	Gasket

groep/ group	blz./ page	type	omschrijving/description	datum/date
2	15	DT43 - DTA43	Carterpan Oil sump	07 05 97



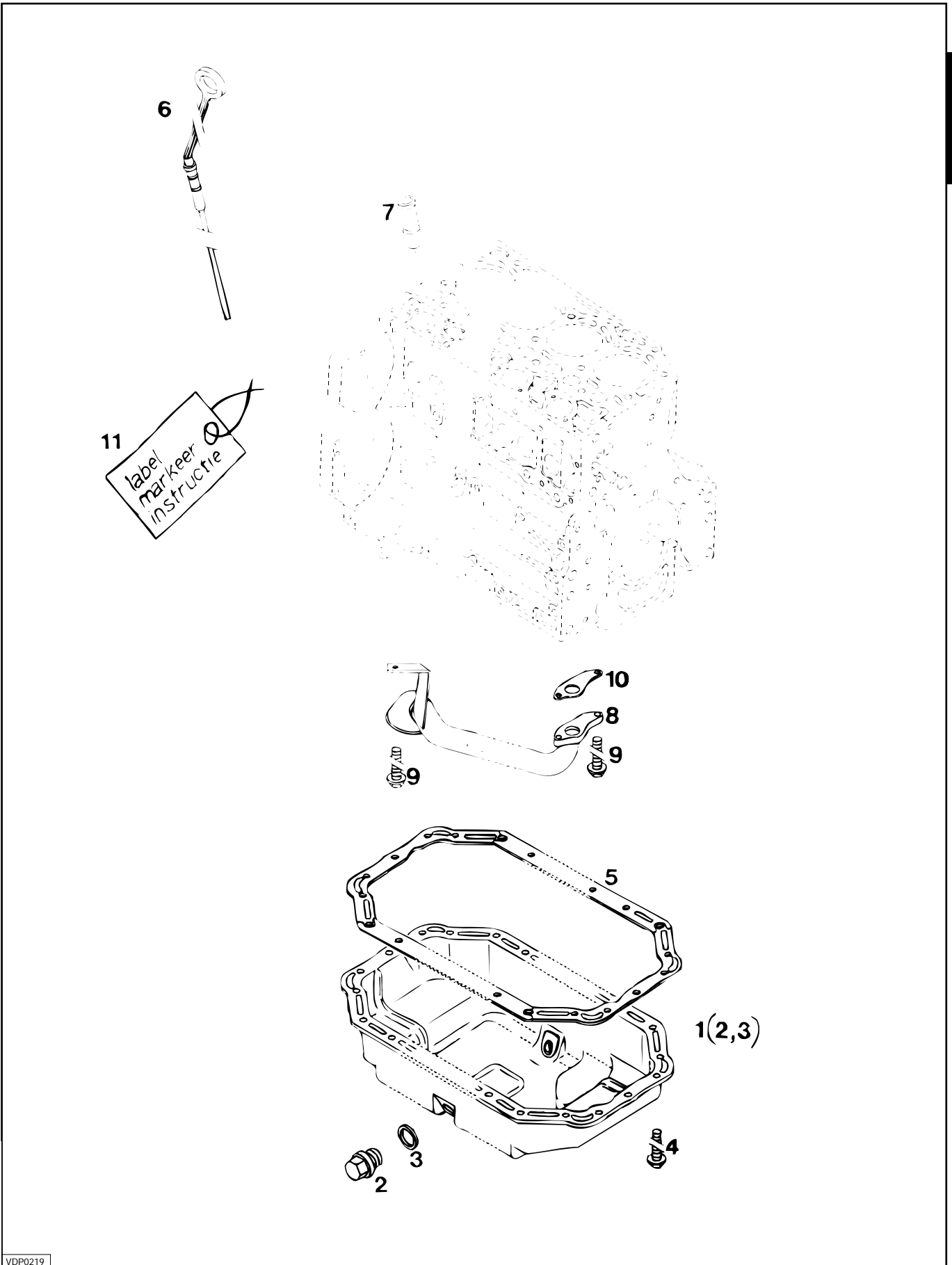
onderdelencatalogus parts catalogue



groep/ group 2	blz./ page 16	type DT64 - DTA64	omschrijving/description Carterpan Oil sump	datum/date 07 05 97
----------------------	---------------------	----------------------	---	------------------------

pos.	qty	part	benaming	description
1	1	VD20198	Carterpan	Oil sump
2	2	VD20203	Plug M18x1,5	Screw plug M18x1.5
3	2	VD20200	Afdichtring	Sealing ring
4	28	VD20204	Bout M8x16	Hexagon bolt M8x16
5	1	VD20205	Pakking	Gasket
6	1	STM8397	Peilstok niet gemarkeerd	Dipstick not marked
7	1	VD20208	Geleidingspijp	Guide tube
8	1	VD20210	Aanzuigpijp	Oil suction pipe
9	3	VD20211	Bout M8x25	Hexagon bolt M8x25
10	1	VD20212	Pakking	Gasket
11	1	STM8398	Label markeer instructie	Label mark instructions

groep/ group	blz./ page	type	omschrijving/description	datum/date
2	16	DT64 - DTA64	Carterpan Oil sump	07 05 97



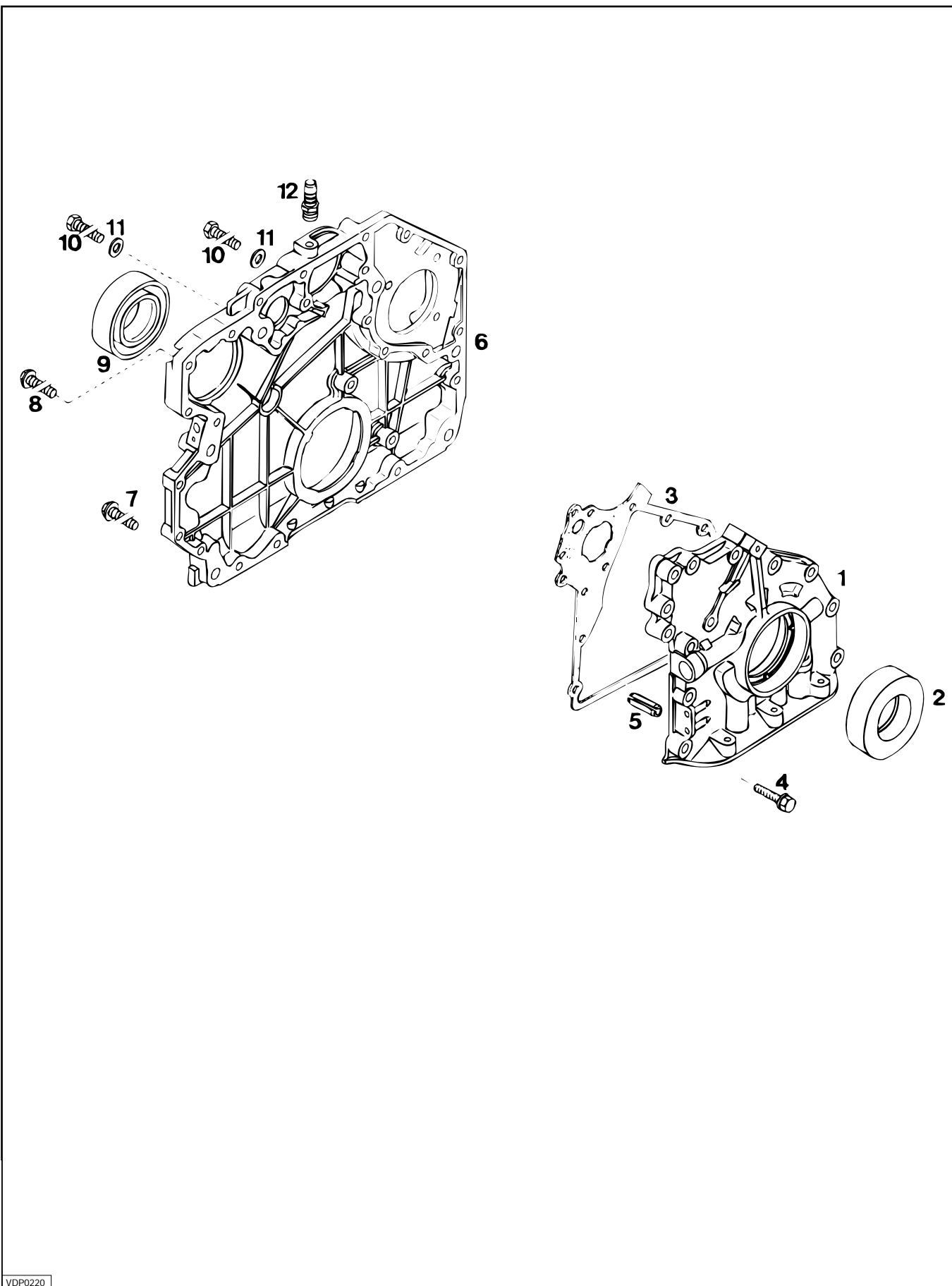
onderdelencatalogus parts catalogue



groep/ group 2	blz./ page 17	type DT43 - DTA43	omschrijving/description Distributie / voordeksel Gearcase / front cover	datum/date 07 05 97
----------------------	---------------------	----------------------	--	------------------------

pos.	qty	part	benaming	description
1	1	VD20213	Distributiedeksel	Front cover
2	1	VD20216	Keerring	Lip seal
3	1	VD20217	Pakking	Gasket
4	12	VD20218	Bout M8x35	Hexagon bolt M8x35
5	1	VD20219	Spanstift B11x8	Clamping pin B11x8
6	1	VD20220	Achterdeksel	Gearcase
7	12	VD20221	Bout M8x35	Hexagon bolt M8x35
8	4	VD20222	Bout M8x45	Hexagon bolt M8x45
9	1	VD20223	Keerring	Lip seal
10	2	VD20224	Bout M16x60	Hexagon bolt M16x60
11	2	VD20225	Ring	Plain washer
12	1	VD20226	Slangpilaar	Hose connector

groep/ group	blz./ page	type	omschrijving/description	datum/date
2	17	DT43 - DTA43	Distributie / voordeksel Gearcase / front cover	07 05 97



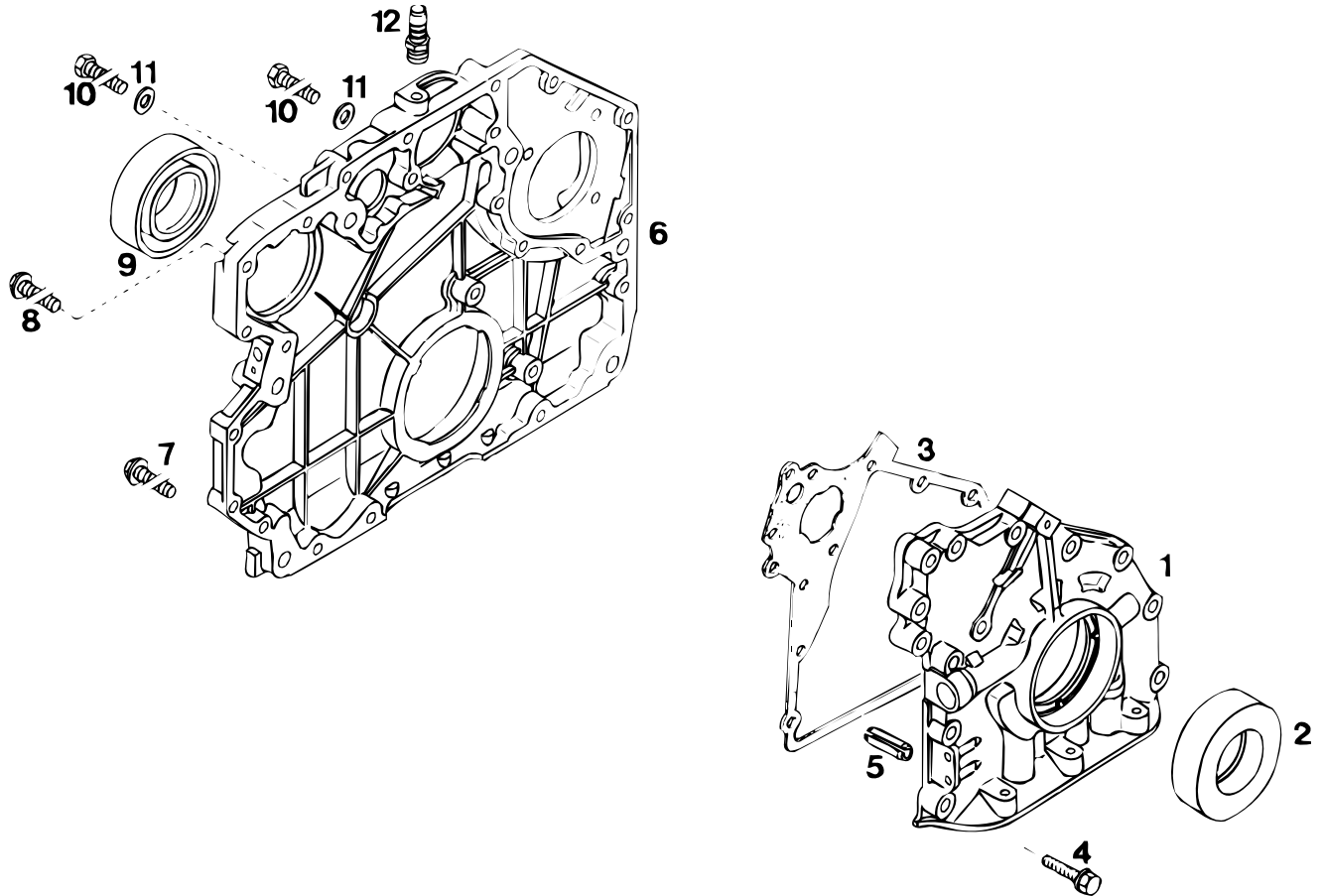
onderdelencatalogus parts catalogue



groep/ group 2	blz./ page 18	type DT64 - DTA64	omschrijving/description Distributie / voordeksel Gearcase / front cover	datum/date 07 05 97
----------------------	---------------------	----------------------	--	------------------------

pos.	qty	part	benaming	description
1	1	VD20214	Distributiedeksel	Front cover
2	1	VD20216	Keerring	Lip seal
3	1	VD20217	Pakking	Gasket
4	12	VD20218	Bout M8x35	Hexagon bolt M8x35
5	1	VD20219	Spanstift B11x8	Clamping pin B11x8
6	1	VD20220	Achterdeksel	Gearcase
7	12	VD20218	Bout M8x35	Hexagon bolt M8x35
8	4	VD20222	Bout M8x45	Hexagon bolt M8x45
9	1	VD20223	Keerring	Lip seal
10	2	VD20224	Bout M16x60	Hexagon bolt M16x60
11	2	VD20225	Ring	Plain washer
12	1	VD20226	Slangpilaar	Hose connector

groep/ group	blz./ page	type	omschrijving/description	datum/date
2	18	DT64 - DTA64	Distributie / voordeksel Gearcase / front cover	07 05 97



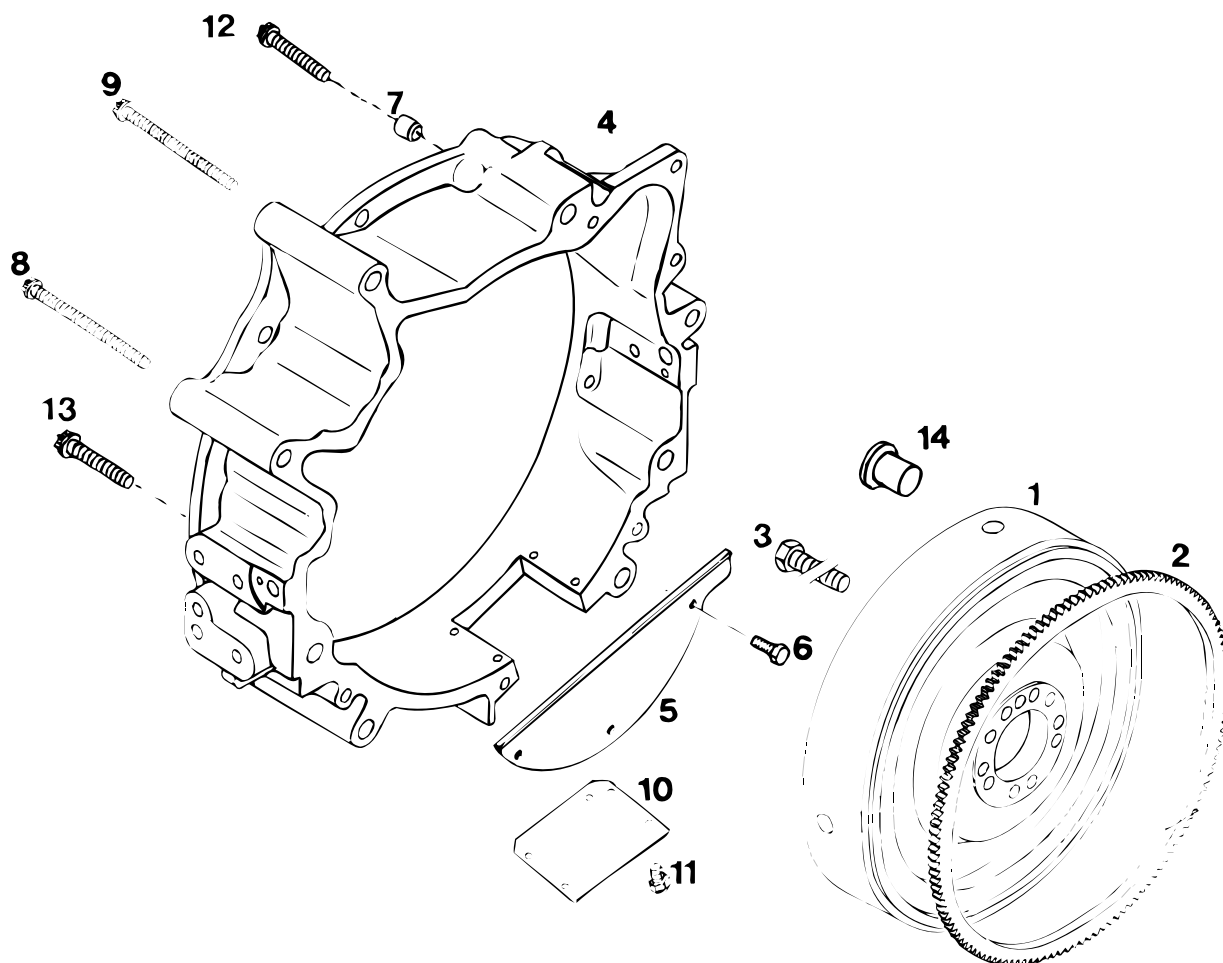
onderdelencatalogus parts catalogue



groep/ group	blz./ page	type	omschrijving/description	datum/date
2	19	DT43 - DTA43 DT64 - DTA64	Vliegwiel + vliegwielhuis Flywheel + flywheelhousing	14 09 98

pos.	qty	part	benaming	description
1	1	VD20228	Vliegwiel	Flywheel
	1	VD20655	Vliegwiel generator	Flywheel generator
2	1	VD20229	Starterkrans	Startergearing
3	10	VD20230	Bout	Hexagon bolt
4	1	VD20231	Vliegwielhuis SAE3	Flywheelhousing SAE3
	1	VD20656	Vliegwielhuis SAE2 generator	Flywheelhousing SAE2 generator
5	1	VD20232	Afdekplaat	Cover plate
6	3	VD20233	Bout M6x10	Hexagon bolt M6x10
7	2	VD20234	Bus	Bush
8	2	VD20235	Bout M12x150	Torx-head bolt M12x150
9	4	VD20236	Bout M16x140	Torx-head bolt M16x140
10	1	VD20237	Afdekplaat	Cover plate
11	4	VD20233	Bout M6x10	Hexagon bolt M6x10
12	1	VD20319	Bout M12x80	Torx-head bolt M12x80
13	2	VD20320	Bout M16x75	Torx-head bolt M16x75
14	5	VD20691	Plastic plug	Plastic plug

groep/ group	blz./ page	type	omschrijving/description	datum/date
2	19	DT43 - DTA43 DT64 - DTA64	Vliegwiel + vliegwielhuis Flywheel + flywheelhousing	07 05 97



onderdelencatalogus parts catalogue

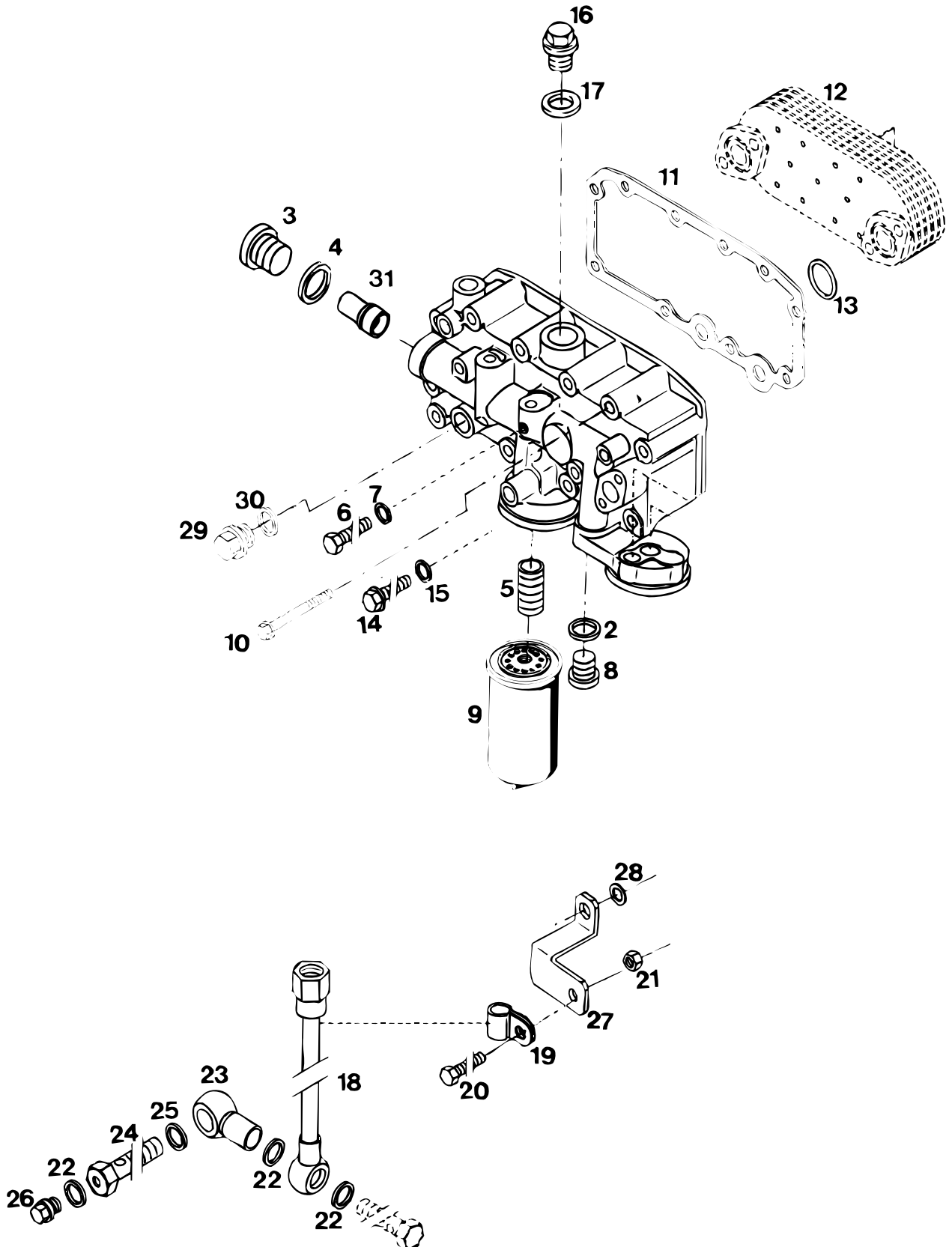


groep/ group 2	blz./ page 20	type DT43 - DTA43	omschrijving/description Oliekoelerhuis Oil cooler box	datum/date 07 05 97
----------------------	---------------------	----------------------	--	------------------------

pos.	qty	part	benaming	description
1	1	VD20239	Oliekoeler	Oil cooler box
2	1	VD20240	Afdichtring	Sealing ring
3	1	VD20241	Plug M30x1,5	Screw plug M30x1.5
4	1	VD20242	Afdichtring	Sealing ring
5	1	VD20243	Draadbus	Screwed bush
6	1	VD20244	Bout M6x30	Hexagon bolt M6x30
7	1	VD20245	Afdichtring	Sealing ring
8	1	VD20246	Plug M24x1,5	Screw plug M24x1.5
9	1	VD20262	Oliefilter	Lubric. oil filter
10	10	VD20252	Bout M8x75	Hexagon bolt M8x75
11	1	VD20253	Pakking	Gasket
12	1	VD20251	Oliekoeler	Oil cooler
13	2	VD20250	O-ring 28x4	O-seal 28x4
14	4	VD20255	Bout M8x40	Hexagon bolt M8x40
15	4	VD20256	Afdichtring	Sealing ring
16	1	VD20264	Plug M26x1,5	Screw plug M26x1.5
17	1	VD20265	Afdichtring	Sealing ring
18	1	VD20266	Pijp	Pipe
19	1	VD20267	Pijpklem	Pipe clamp
20	1	VD20268	Bout M6x16	Hexagon bolt M6x16
21	1	VD20182	Moer M6	Hexagon nut M6
22	3	VD20031	Afdichtring	Sealing ring
23	1	VD20270	Banjo oog	Banjo fitting
24	1	VD20271	Ontluchtingsbout	Hollow screw
25	1	VD20272	Afdichtring	Sealing ring
26	1	VD20273	Plug M10x1	Screw plug M10x1
27	1	VD20274	Steun	Bracket
28	1	VD20275	Ring	Plain washer
29	1	VD20276	Plug M18x1,5	Screw plug M18x1.5
30	1	VD20277	Afdichtring	Sealing ring
31	1	VD20305	Drukventiel	Differ.press valve

groep/ group	blz./ page	type	omschrijving/description	datum/date
2	20	DT43 - DTA43	Oliekoelerhuis Oil cooler box	07 05 97

1 (2-30)



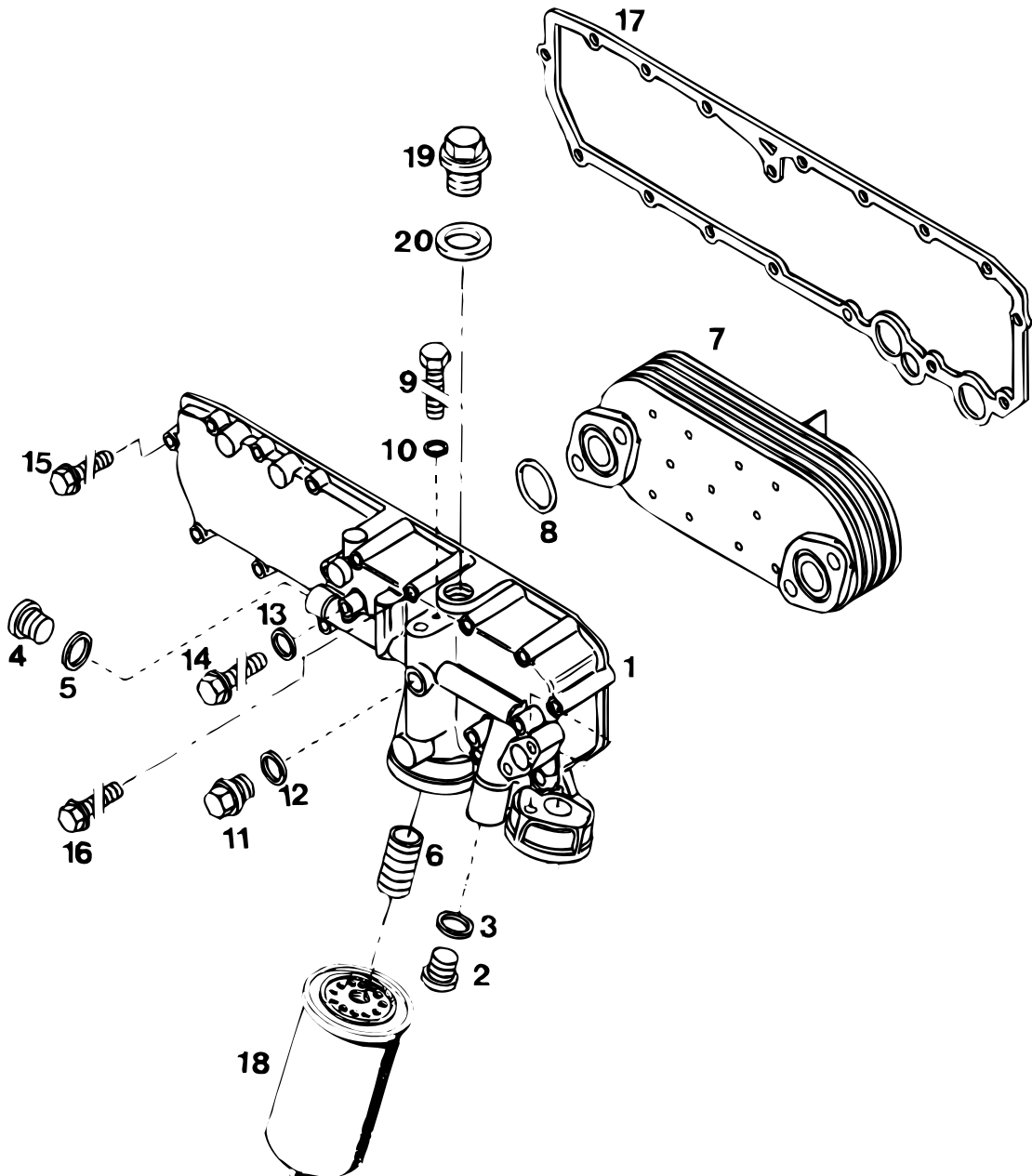
onderdelencatalogus parts catalogue



groep/ group 2	blz./ page 21	type DT64 - DTA64	omschrijving/description Oliekoelerhuis Oil cooler box	datum/date 07 05 97
----------------------	---------------------	----------------------	--	------------------------

pos.	qty	part	benaming	description
1	1	VD20247	Oliekoeler	Oil cooler box
2	1	VD20246	Plug M24x1,5	Screw plug M24x1.5
3	1	VD20240	Afdichtring	Sealing ring
4	1	VD20241	Plug M30x1,5	Screw plug M30x1.5
5	1	VD20248	Draadbus	Screwed bush
6	1	VD20243	Draadbus	Screwed bush
7	1	VD20249	Oliekoeler	Oil cooler
8	2	VD20250	O-ring 28x4	O-seal 28x4
9	1	VD20244	Bout M6x30	Hexagon bolt M6x30
10	1	VD20245	Afdichtring	Sealing ring
11	1	VD20259	Plug M10x1	Screw plug M10x1
12	1	VD20031	Afdichtring	Sealing ring
13	4	VD20256	Afdichtring	Sealing ring
14	4	VD20261	Bout M8x40	Hexagon bolt M8x40
15	7	VD20218	Bout M8x35	Hexagon bolt M8x35
16	10	VD20252	Bout M8x75	Hexagon bolt M8x75
17	1	VD20254	Pakking	Gasket
18	1	VD20263	Oliefilter	Lubric. oil filter
19	1	VD20264	Plug M26x1,5	Screw plug M26x1.5
20	1	VD20265	Afdichtring	Sealing ring

groep/ group	blz./ page	type	omschrijving/description	datum/date
2	21	DT64 - DTA64	Oliekoelerhuis Oil cooler box	07 05 97



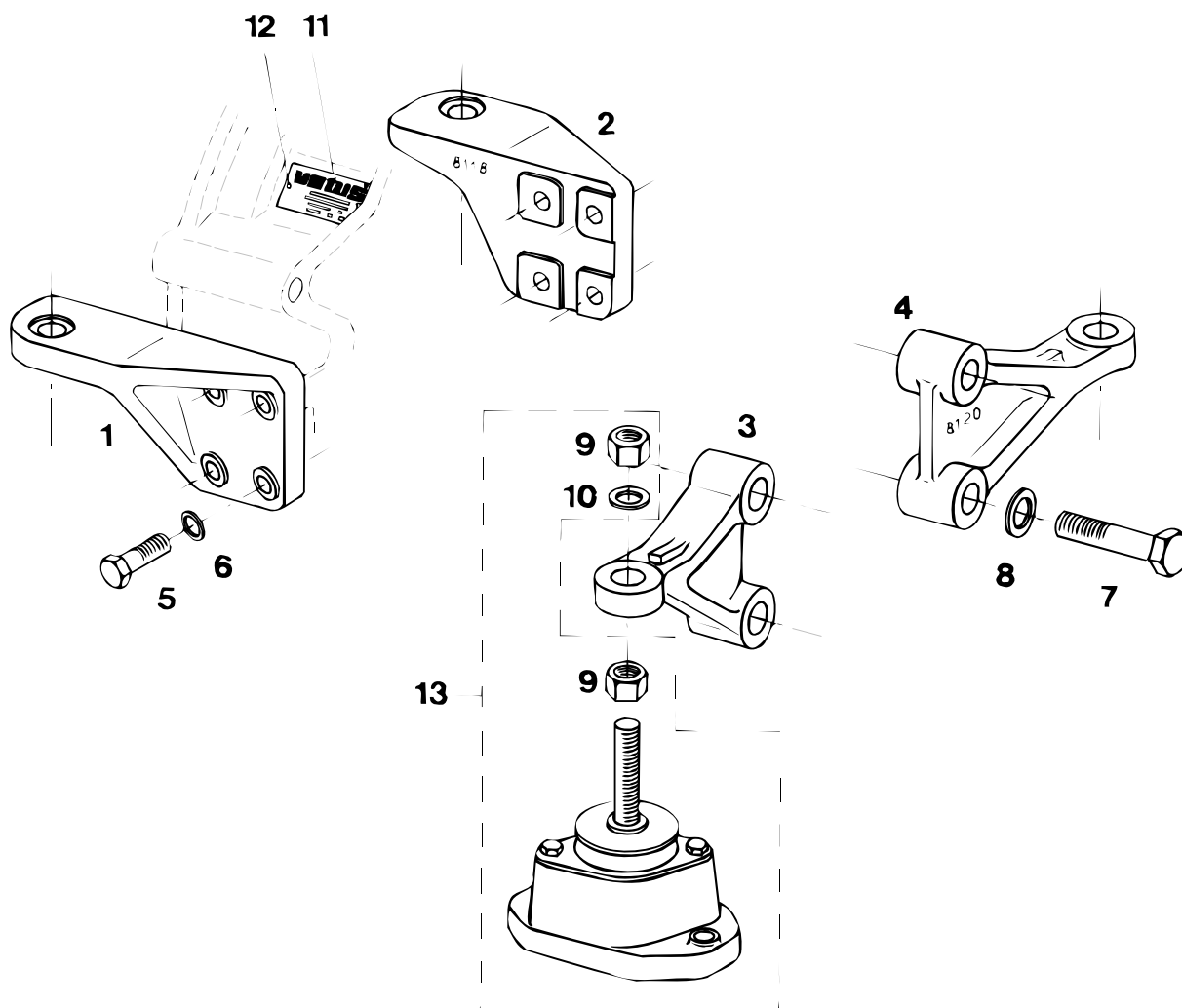
onderdelencatalogus parts catalogue



groep/ group	blz./ page	type	omschrijving/description	datum/date
2	22	DT43 - DTA43 DT64 - DTA64	Motorsteunen Engine supports	11 11 02

pos.	qty	part	benaming	description
1	1	STM8117	Motorsteun SB	Engine support SB
2	1	STM8118	Motorsteun BB	Engine support PS
3	1	STM8119	Motorsteun SB	Engine support SB
4	1	STM8120	Motorsteun BB	Engine support PS
5	8	STM8121	Bout M12x40	Bolt M12x40
6	8	STM4003	Veerring M16	Spring washer M12
7	4	STM8127	Bout M16x75	Bolt M16x75
8	4	STM8128	Veerring M16	Spring washer M16
9	8	XY11	Moer M20	Nut M20
10	4	XY22	Ring M20	Washer M20
11	1	STM1054	Type plaatje	Model plate
12	2	STM3528	Kerfnagel 3x5 DIN1476	Grooved pin 3x5 DIN1476
13		LM140	Trillingdemper	Engine mount
		LM220	Trillingdemper	Engine mount
		LM320	Trillingdemper	Engine mount
		LM460	Trillingdemper	Engine mount
		LMX140	Trillingdemper DT(A)43 (-> 16 04 02)	Engine mount DT(A)43 (-> 16 04 02)
		LMX210	Trillingdemper DT(A)64 (-> 16 04 02)	Engine mount DT(A)64 (-> 16 04 02)
		LMX340	Trillingdemper DT(A)67 (-> 16 04 02)	Engine mount DT(A)67 (-> 16 04 02)

groep/ group	blz./ page	type	omschrijving/description	datum/date
2	22	DT43 - DTA43 DT64 - DTA64	Motorsteunen Engine supports	07 05 97



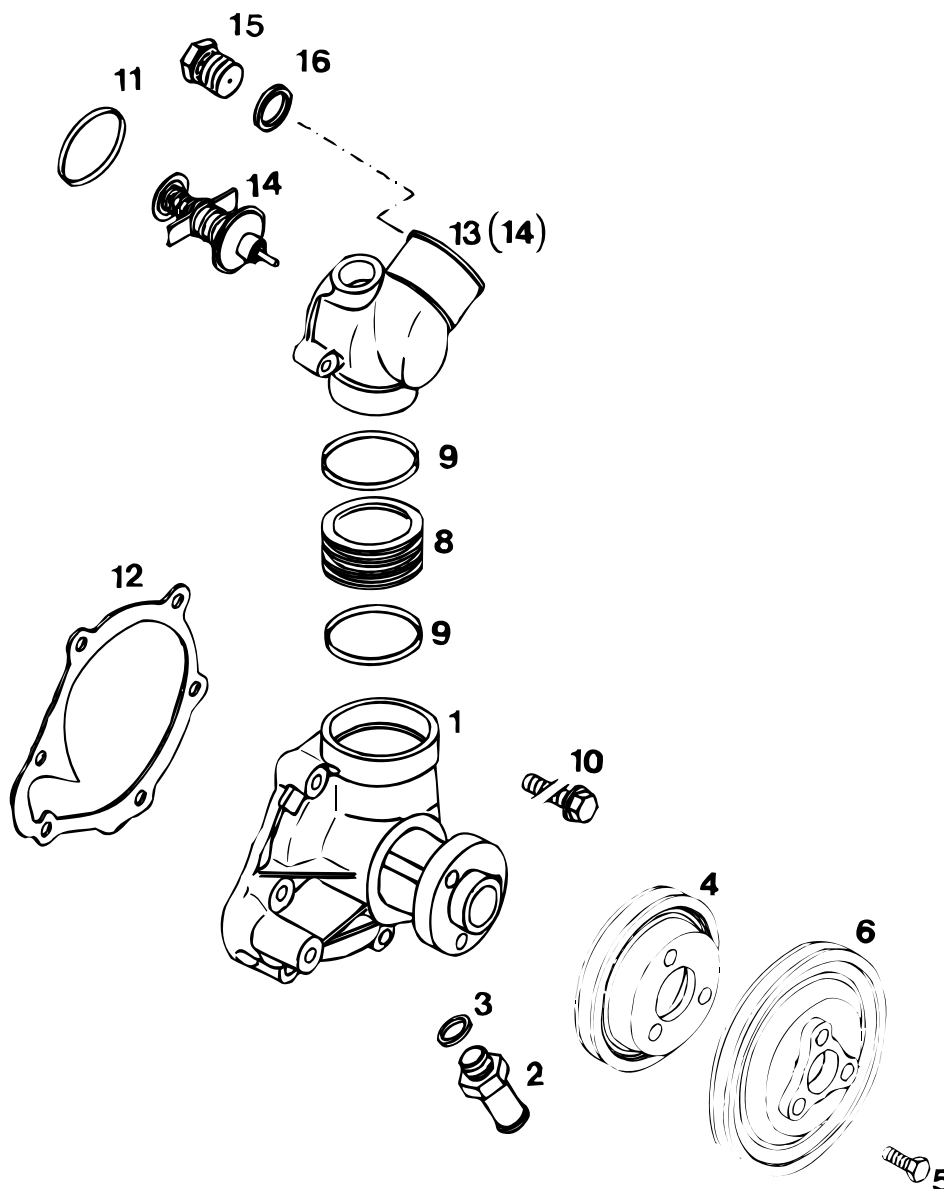
onderdelencatalogus parts catalogue



groep/ group	blz./ page	type	omschrijving/description	datum/date
3	1	DT43 - DTA43 DT64 - DTA64	Circulatiepomp Fresh water pump	07 05 97

pos.	qty	part	benaming	description
1	1	VD30001	Waterpomp	Coolant pump
2	1	VD30002	Slangpilaar	Hose connector
3	1	VD30003	Afdichtring	Sealing ring
4	1	VD30004	V-snaar pulley DT43	V-grooved pulley DT43
	1	VD30005	V-snaar pulley	V-grooved pulley
5	3	VD30006	Bout M8x25	Hexagon bolt M8x25
6	1	VD30007	V-snaar pulley	V-grooved pulley
8	1	VD30008	Pijp	Pipe
9	2	VD30009	O-ring 50x5	O-seal 50x5
10	8	VD20218	Bout M8x35	Hexagon bolt M8x35
11	1	VD30011	O-ring 82x3	O-seal 82x3
12	1	VD30012	Pakking	Flat gasket
13	1	VD30013	Thermostaathuis	Thermostathousing
14	1	VD30014	Thermostaat 83°C DT43-DT64	Thermostat 83°C DT43-DT64
	1	VD30019	Thermostaat DTA43-DTA64	Thermostat DTA43-DTA64
15	1	VD30020	Ventilatie plug	Vent plug
16	1	VD30021	Afdichtring	Sealing ring

groep/ group	blz./ page	type	omschrijving/description	datum/date
3	1	DT43 - DTA43 DT64 - DTA64	Circulatiepomp Fresh water pump	07 05 97



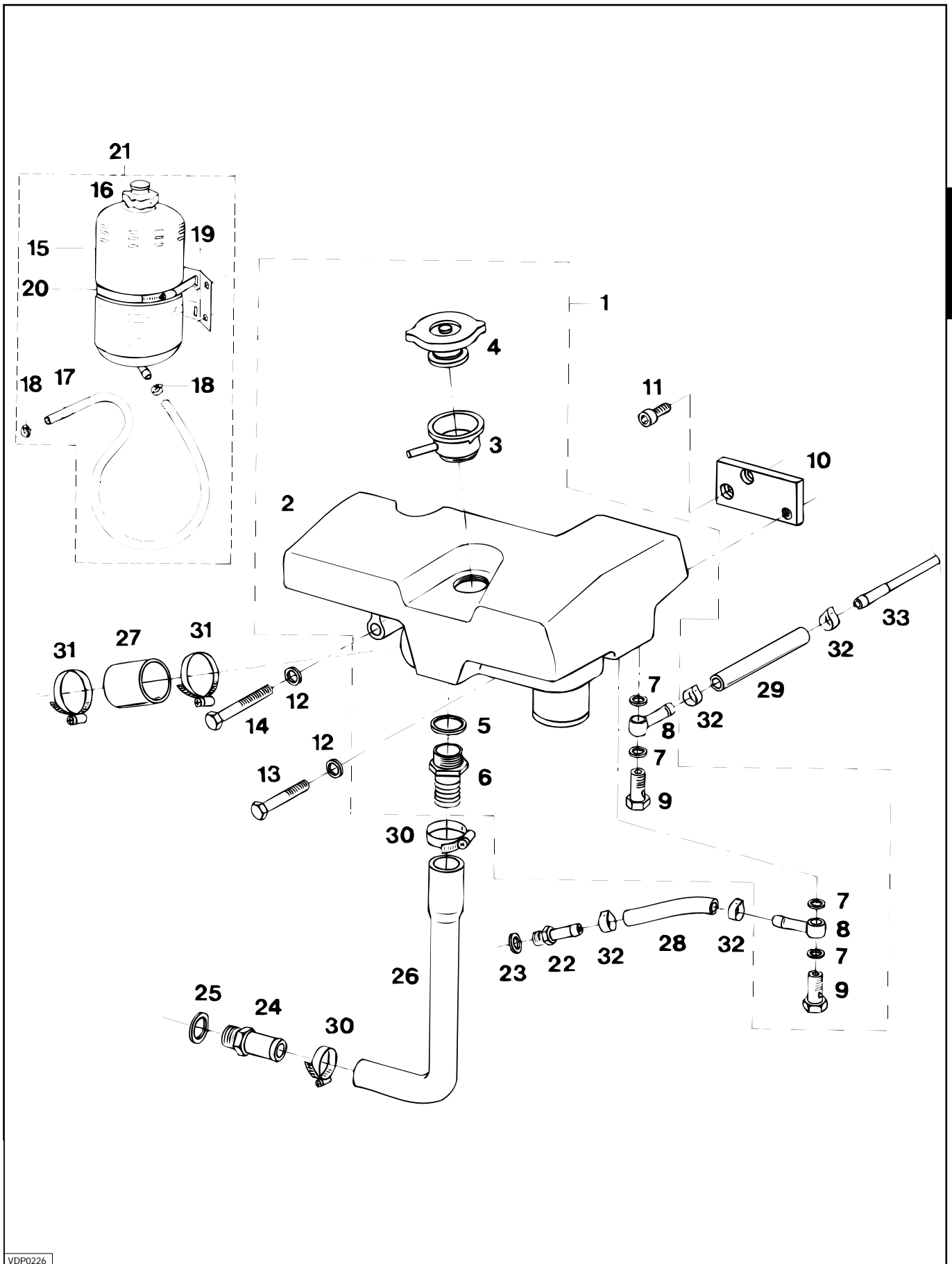
onderdelencatalogus parts catalogue



groep/ group	blz./ page	type	omschrijving/description	datum/date
3	2	DT43 - DTA43 DT64 - DTA64	Expansietank Expansiontank	13 01 98

pos.	qty	part	benaming	description
1	1	STM8103	Expansietank cpl.	Expansiontank cpl.
2	1	STM8107	Expansietank	Expansiontank
3	1	STM1515	Vulnek	Filler neck
4	1	STM8122	Vul/ drukdop 1,5 bar	Filler/ pressure cap 1.5 bar
5	1	STM8176	Afdichtring G1	Sealing washer G1
6	1	STM3037	Slangpilaar G1-25	Hose pillar G1-25
7	4	STM2018	Afdichtring M10	Sealing washer M10
8	2	STM6198	Banjo oog	Banjo eye
9	2	STM8123	Banjo bout M10x1,5-ø1,5	Banjo bolt M10x1.5-ø1.5
10	1	STM8108	Steun	Support
11	2	STM5027	Inbusbout M10x20	Allen screw M10x20
12	2	STM2022	Gegolfde veerring M10	Wave spring washer M10
13	1	CT30029	Bout M10x60	Bolt M10x60
14	1	STM8111	Bout M10x80	Bolt M10x80
15	1	STM9501	Tank	Tank
16	1	STM8211	Dop (drukloos)	Cap (no pressure)
17	1	STM9504	Slang l=1,5 mtr.	Hose l=1.5 mtr.
18	2	STM9505	Slangklem	Hose clamp
19	1	STM9502	Bevestigingsbeugel	Support
20	1	STM9503	Slangklem	Hose clamp
21	1	STM8212	Tank cpl.	Tank cpl.
22	1	STM8162	Slangpilaar M10x1-8	Hose pillar M10x1-8
23	1	STM2018	Afdichtring M10	Sealing washer M10
24	1	VD30002	Slangpilaar M16x1,5-22	Hose pillar M16x1.5-22
25	1	VD30003	Afdichtring M16	Spring washer M16
26	1	STM8151	Slang	Hose
27	1	STM8154	Slang	Hose
28	1	STM8160	Slang ø8 l=0,22 mtr.	Hose ø8 l=0.22 mtr.
29	1	STM8160	Slang ø8 l=0,22 mtr.	Hose ø8 l=0.22 mtr.
30	2	STM6116	Slangklem 26-38	Hose clamp 26-38
31	2	STM3006	Slangklem 50-65	Hose clamp 50-65
32	4	STM6185	Slangklem	Hose clamp
33	1	STM8291	Leiding DT43-DTA43	Tube DT43-DTA43
	1	STM8292	Leiding DT64-DTA64	Tube DT64-DTA64

groep/ group	blz./ page	type	omschrijving/description	datum/date
3	2	DT43 - DTA43 DT64 - DTA64	Expansietank Expansiontank	19 06 95



onderdelencatalogus parts catalogue



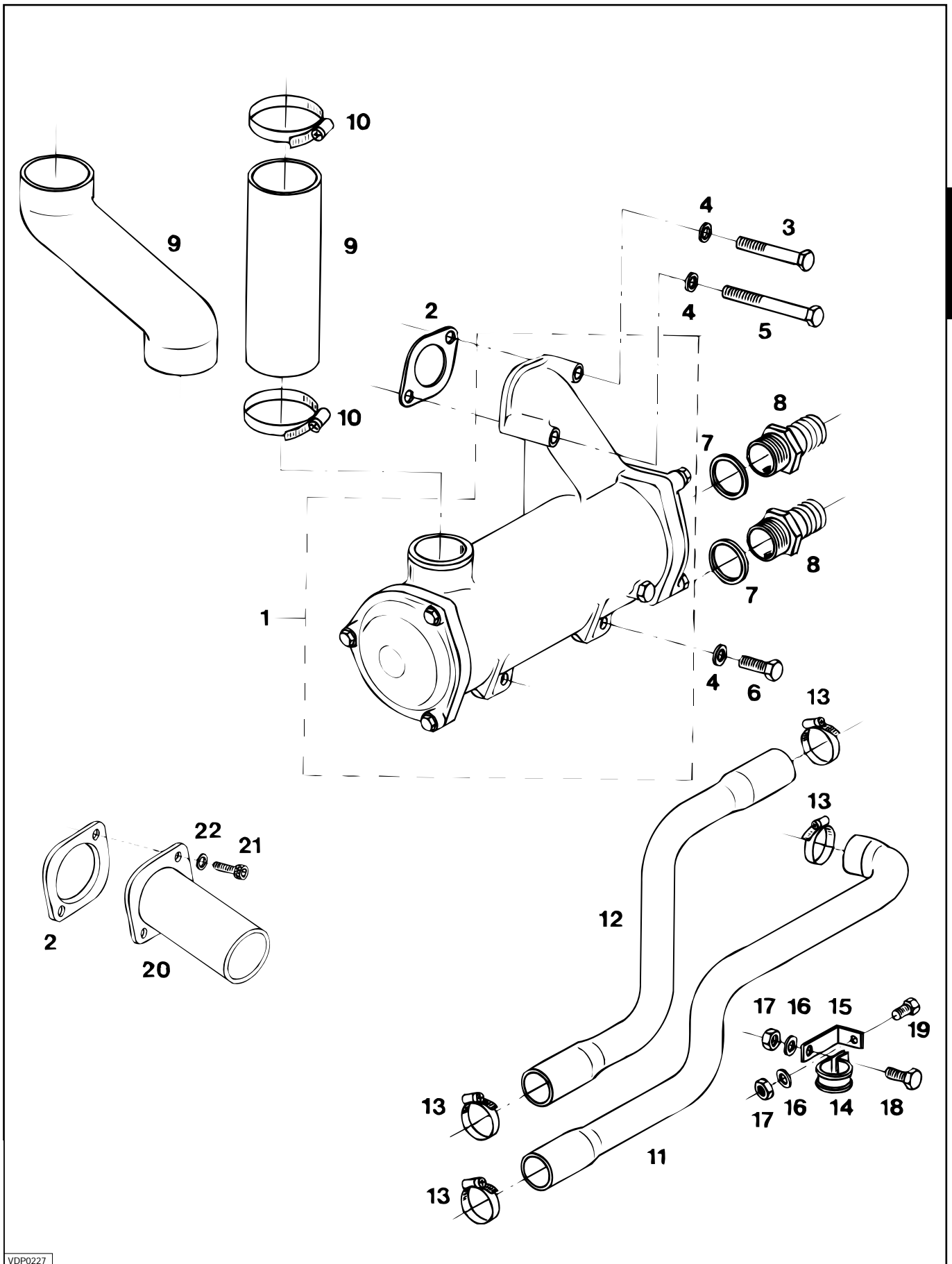
groep/ group	blz./ page	type	omschrijving/description	datum/date
3	3	DT43 - DTA43 DT64 - DTA64	Warmtewisselaar Heatexchanger	07 05 97

pos.	qty	part	benaming	description
1	1	STM8104	Warmtewisselaar DT43-DTA43	Heatexchanger DT43-DTA43
	1	STM8106	Warmtewisselaar DT64-DTA64	Heatexchanger DT64-DTA64
2	1	STM8109	Pakking	Gasket
3	1	STM8125	Bout M8x65	Bolt M8x65
4	4	STM1019	Gegolfde veerring M8	Wave spring washer M8
5	1	STM8126	Bout M8x90	Bolt M8x90
6	2	STM1610	Bout M8x25	Bolt M8x25
7	2	STM8112	Afdichtring G11/4	Seal washer G11/4
8	2	STM8115	Slangpilaar G11/4-32	Hose pillar G11/4-32
9	1	STM8153	Slang DT43-DTA43	Hose DT43-DTA43
	1	STM8152	Slang DT64-DTA64	Hose DT64-DTA64
10	2	STM3006	Slangklem 50-65	Hose clamp 50-65
11	1	STM8158	Slang	Hose
12	1	STM8159	Slang	Hose
13	4	STM3005	Slangklem 32-44	Hose clamp 32-44
14	1	STM3061	Klem ø35 RSGU1.35/20W1	Clamp ø35 RSGU1.35/20W1
15	1	STM3059	Steun	Support
16	2	STM1056	Veerring M8	Spring washer M8
17	2	STM2005	Moer M8	Nut M8
18	1	STM4055	Bout M8x15	Bolt M8x15
19	1	STM1610	Bout M8x25 DT64-DTA64	Bolt M8x25 DT64-DTA64
20	1	STM8282	Pijp kielkoeling DT43-DT64	Pipe keel cooler DT43-DT64
21	2	STM3742	Inbus bout M8x20	Bolt M8x20
22	2	STM1056	Veerring M8	Spring washer M8

onderdelencatalogus parts catalogue



groep/ group	blz./ page	type	omschrijving/description	datum/date
3	3	DT43 - DTA43 DT64 - DTA64	Warmtewisselaar Heatexchanger	11 04 96



3

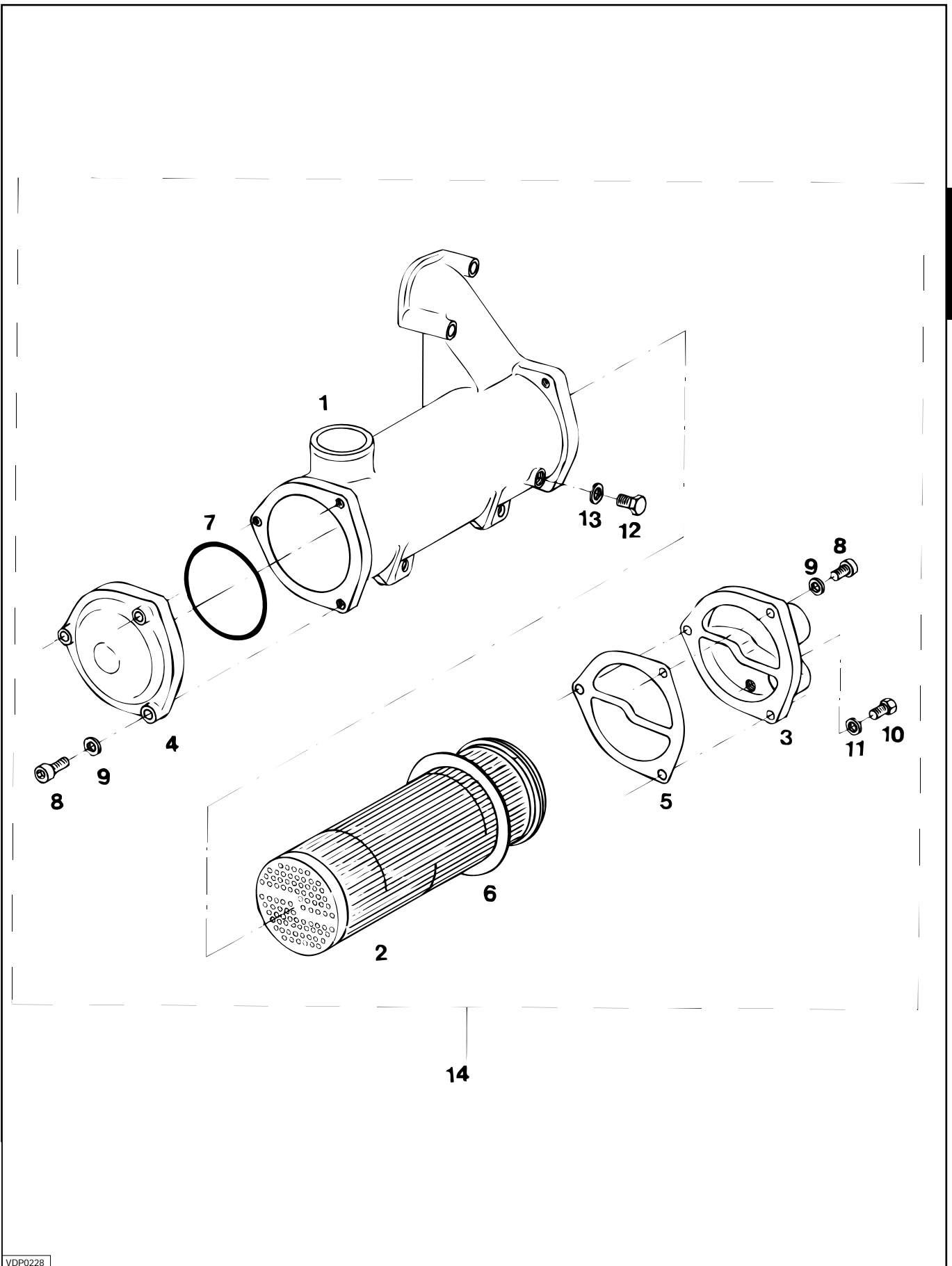
onderdelencatalogus parts catalogue



groep/ group	blz./ page	type	omschrijving/description	datum/date
3	4	DT43 - DTA43 DT64 - DTA64	Warmtewisselaar Heatexchanger	19 06 95

pos.	qty	part	benaming	description
1	1	STM8301	Huis DT43-DTA43	Body DT43-DTA43
	1	STM8302	Huis DT64-DTA64	Body DT64-DTA64
2	1	STM8303	Pijpenbundel DT43-DTA43	Tubestack DT43-DTA43
	1	STM8304	Pijpenbundel DT64-DTA64	Tubestack DT64-DTA64
3	1	STM8305	Einddeksel	End cover
4	1	STM8306	Omkeerdeksel	Return cover
5	1	STM8307	Afdichting	Joint
6	1	STM8308	Afdichting	Joint
7	1	STM8309	O-ring	O-ring
8	6	STM8310	Inbusbout	Allen screw
9	6	STM8311	Veerring	Spring washer
10	1	STM8312	Plug G1/4	Plug G1/4
11	1	STM8313	Afdichtring G1/4	Seal washer G1/4
12	1	STM8314	Plug G1/2	Plug G1/2
13	1	STM8315	Afdichtring G1/2	Seal washer G1/2
14	1	STM8104	Warmtewisselaar cpl. DT43-DTA43	Heatexchanger cpl. DT43-DTA43
	1	STM8106	Warmtewisselaar cpl. DT64-DTA64	Heatexchanger cpl. DT64-DTA64

groep/ group	blz./ page	type	omschrijving/description	datum/date
3	4	DT43 - DTA43 DT64 - DTA64	Warmtewisselaar Heatexchanger	07 05 97



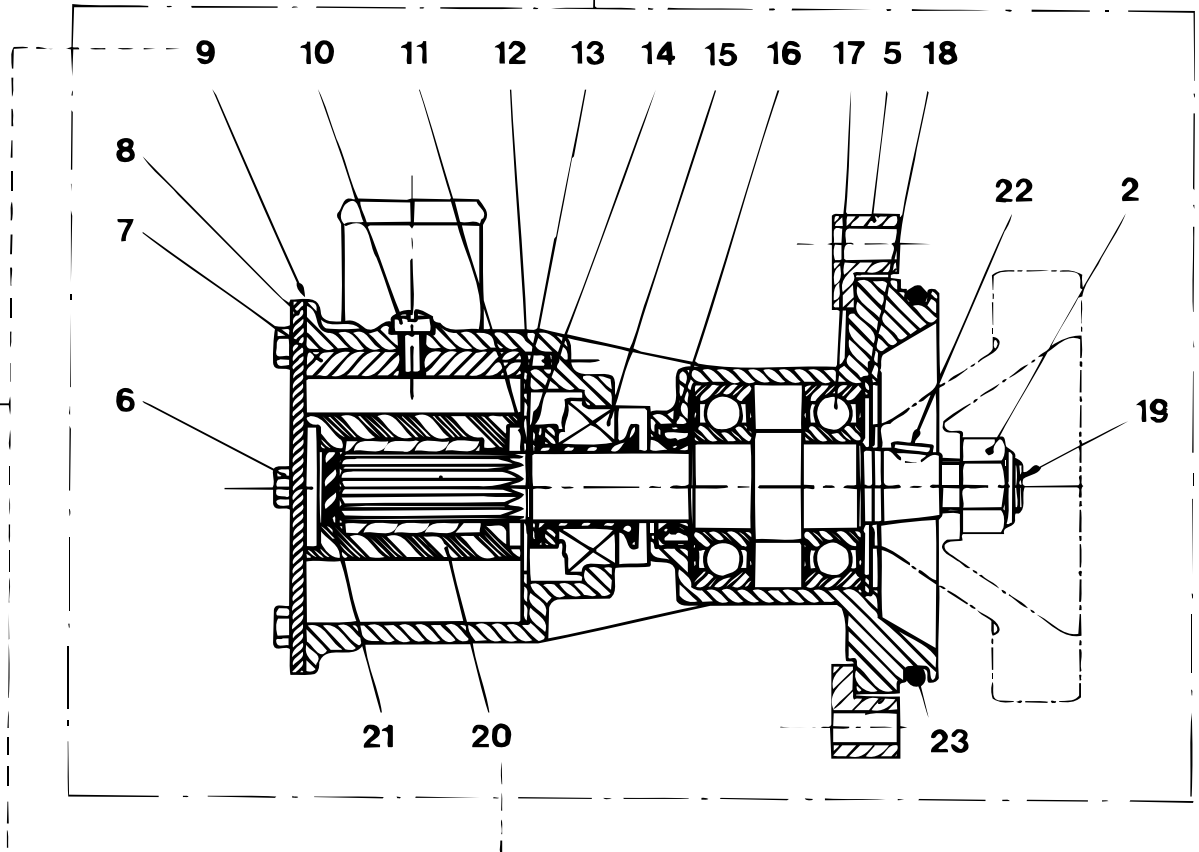
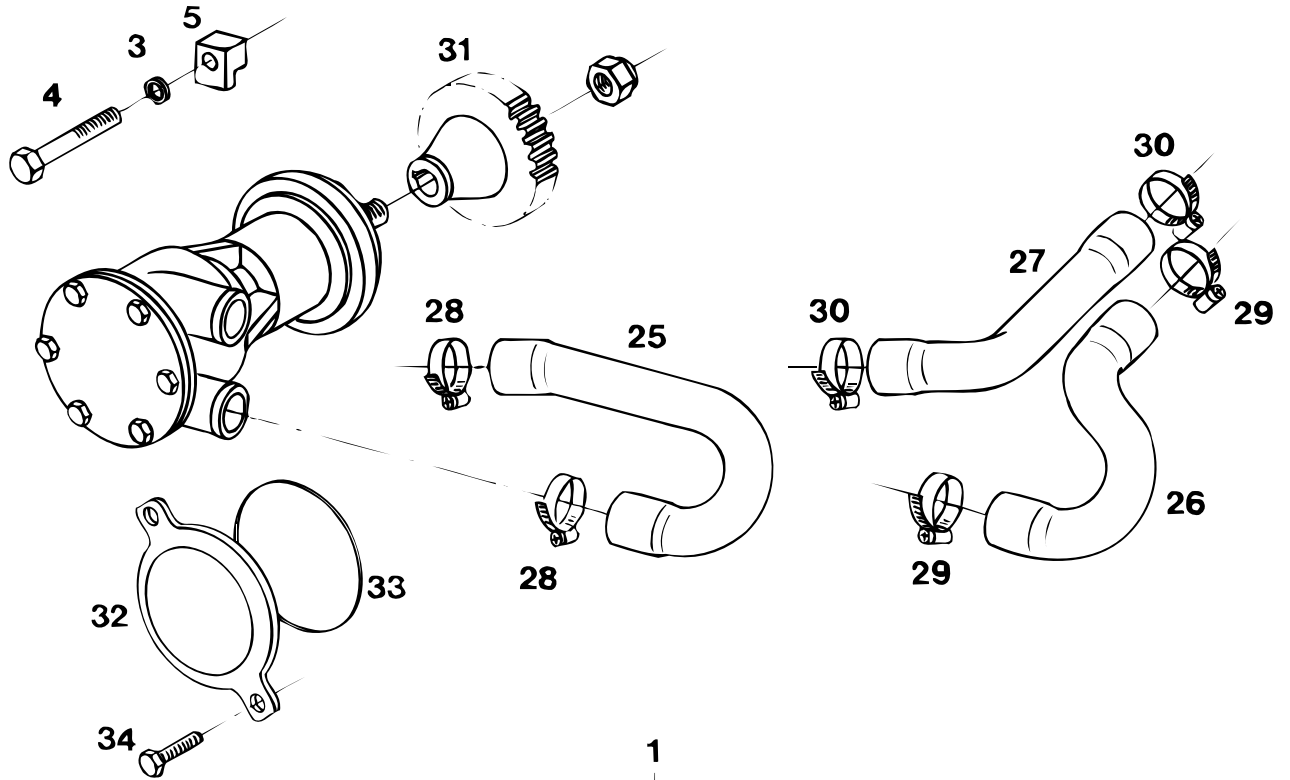
onderdelencatalogus parts catalogue



groep/ group	blz./ page	type	omschrijving/description	datum/date
3	5	DT43 - DTA43 DT64 - DTA64	Zeewaterpomp Seawater pump	07 05 97

pos.	qty	part	benaming	description
1	1	STM8105	Pomp 1051 1/2 kam DT43-DTA43	Pump 1051 1/2 cam DT43-DTA43
	1	STM8260	Pomp 1041 2/3 kam DT64-DTA64	Pump 1041 2/3 cam DT64-DTA64
2	1	STM8230	Zelfborgende moer M12	Nyloc nut M12
3	2	STM1056	Veerring M8	Spring washer M8
4	2	STM6562	Bout M8x70	Bolt M8x70
5	2	STM8231	Klemplaat	Clamp plate
6	6	STM8232	Schroef	Screw
7	1	STM8233	Kam 1/2 DT43-DTA43	Cam 1/2 DT43-DTA43
	1	STM8261	Kam 2/3 DT64-DTA64	Cam 2/3 DT64-DTA64
8	1	STM8234	Eindplaat DT43-DTA43	Endcover DT43-DTA43
	1	STM8262	Eindplaat DT64-DTA64	Endcover DT64-DTA64
9	1	STM8235	Pakking	Gasket
10	1	STM8236	Schroef	Screw
11	1	STM8237	Borgring	Retaining ring
12	1	STM8238	Huis	Body
13	1	STM8239	Slijtplaat	Wearplate
14	1	STM8240	Ring	Washer
15	1	STM8241	Afdichting	Mechanical seal
16	1	STM8242	Keerring	Lip seal
17	2	STM8243	Lager	Bearing
18	1	STM8244	Borgring	Retaining ring
19	1	STM8245	As	Shaft
20	1	STM8246	Impeller	Impeller
21	1	STM8247	Afdichting	Spline plug
22	1	STM8248	Spie	Key
23	1	STM8249	O-ring 82x4	O-ring 82x4
24	1	STM8250	Reparatie set (9+20)	Spare parts (9+20)
25	1	STM8157	Slang DT43-DT64	Hose DT43-DT64
26	1	STM8143	Slang DTA43-DTA64	Hose DTA43-DTA64
27	1	STM8144	Slang DTA43-DTA64	Hose DTA43-DTA64
28	2	STM3005	Slangklem 32-44	Hose clamp 32-44
29	2	STM3005	Slangklem 32-44	Hose clamp 32-44
30	2	STM3005	Slangklem 32-44	Hose clamp 32-44
31	1	VD30017	Tandwiel	Gearwheel
32	1	STM8436	Deksel kielkoeling DT43-DT64	Cover keel cooler DT43-DT64
33	1	STM8249	O-ring 82x4 DT43-DT64	O-ring 82x4 DT43-DT64
34	1	STM2258	Bout M8x45 DT43-DT64	Bolt M8x45 DT43- DT64

groep/ group	blz./ page	type	omschrijving/description	datum/date
3	5	DT43 - DTA43 DT64 - DTA64	Zeewaterpomp Seawater pump	09 05 97



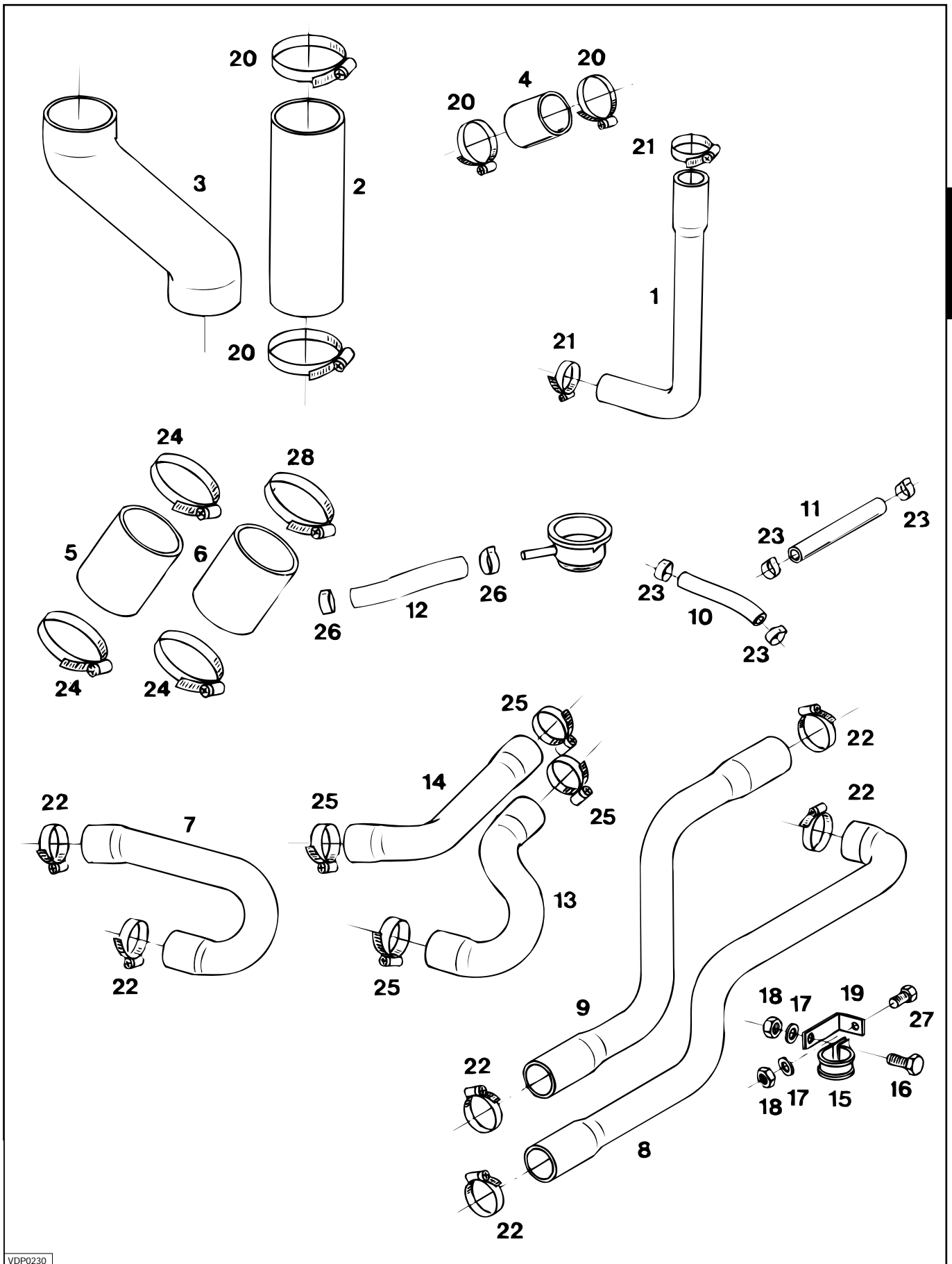
onderdelencatalogus parts catalogue



groep/ group	blz./ page	type	omschrijving/description	datum/date
3	6	DT43 - DTA43 DT64 - DTA64	Slangen Hoses	07 05 97

pos.	qty	part	benaming	description
1	1	STM8151	Slang expansietank-circulatiepomp	Hose expansiontank-circ.pump
2	1	STM8153	Slang DT43-DTA43 ww.-expansietank	Hose DT43-DTA43 heatexchanger-expansiontank
3	1	STM8152	Slang DT64-DTA64 ww.-expansietank	Hose DT64-DTA64 heatexchanger-expansiontank
4	1	STM8154	Slang expansietank-thermostaathuis	Hose expansion tank-thermostat housing
5	1	STM8161	Slang DTA43-DTA64 turbo-aftercooler	Hose seawaterpump DTA43-DTA64 turbo-aftercooler
6	1	STM8142	Slang DTA43 aftercooler-bocht	Hose DTA43 aftercooler-elbow
		STM8139	Slang DTA64 aftercooler-bocht	Hose DTA64 aftercooler-bocht
7	1	STM8157	Slang zeewaterpomp-oliekoeler	Hose seawater pump-oilcooler
8	1	STM8158	Slang oliekoeler-warmtewisselaar	Hose oilcooler-heatexchanger
9	1	STM8159	Slang warmtewisselaar-inj.bocht	Hose heatexchanger-exhaust elbow
10	1	STM8160	Slang ø8 l=0,22 mtr. ontluchting cil.kop	Hose ø8 l=0.22 mtr. degassing cyl.head front side
11	1	STM8160	Slang ø8 l=0,22 mtr. ontluchting cil.kop	Hose ø8 l= .022 mtr. degassing cyl.head back side
12	1	STM9504	Slang vulnek l=1,5 mtr.	Hose filler neck l=1.5 mtr.
13	1	STM8143	Slang Zeewaterpomp-aftercooler	Hose Seawater pump-aftercooler
14	1	STM8144	Slang Aftercooler-oliekoeler	Hose Aftercooler-oilcooler
15	1	STM3061	Klem ø35 RSGU1.35/20W1	Clamp ø35 RSGU1.35/20W1
16	1	STM4055	Bout M8x15	Bolt M8x15
17	2	STM1056	Veerring M8	Spring washer M8
18	2	STM2005	Moer M8	Nut M8
19	1	STM3059	Steun	Support
20	6	STM3006	Slangklem 50-65	Hose clamp 50-65
21	2	STM6116	Slangklem 26-38	Hose clamp 26-38
22	6	STM3005	Slangklem 32-44	Hose clamp 32-44
23	4	STM6185	Slangklem	Hose clamp
24	3	STM8150	Slangklem 58-75	Hose clamp 58-75
25	4	STM3005	Slangklem 32-44	Hose clamp 32-44
26	2	STM9505	Slangklem	Hose clamp
27	1	STM1610	Bout M8x25 DT64-DTA64	Bolt M8x25 DT64-DTA64
28	1	STM8150	Slangklem 77-95	Hose clamp 77-95

groep/ group	blz./ page	type	omschrijving/description	datum/date
3	6	DT43 - DTA43 DT64 - DTA64	Slangen Hoses	19 06 95



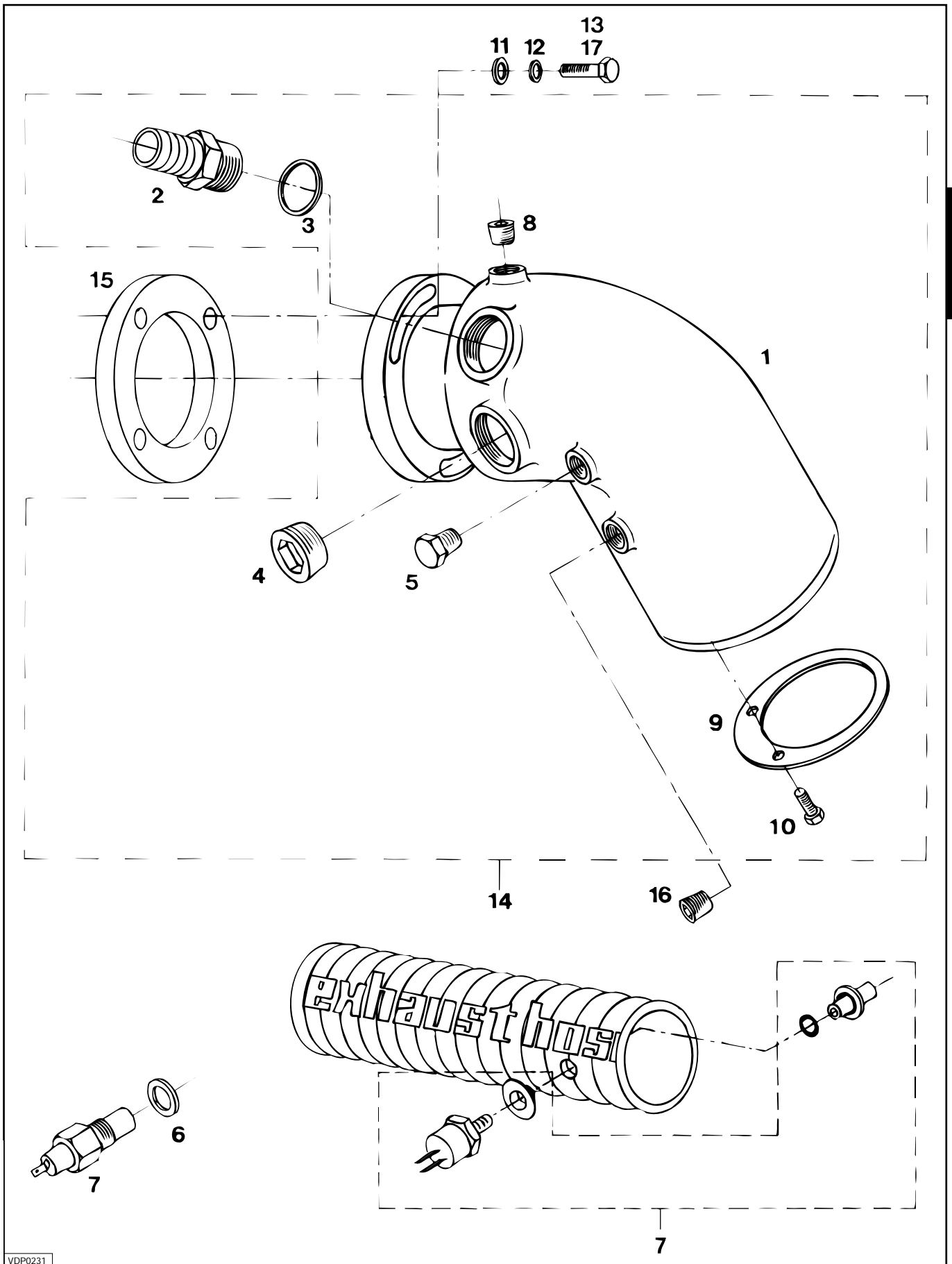
onderdelencatalogus parts catalogue



groep/ group	blz./ page	type	omschrijving/description	datum/date
3	7	DT43 - DTA43 DT64 - DTA64	Uitlaat injectiebocht Exhaust injection elbow	06 10 97

pos.	qty	part	benaming	description
1	1	STM8145	Uitlaat injectiebocht ø90 DT43-DTA43	Exhaust injection elbow ø90 DT43-DTA43
	1	STM8146	Uitlaat injectiebocht ø100 DT64	Exhaust injection elbow ø100 DT64
	1	STM8147	Uitlaat injectiebocht ø125 DTA64	Exhaust injection elbow ø125 DTA64
2	1	STM3761	Slangpilaar G1-32	Hose pillar G1-32
3	1	STM8176	Afdichtring G1	Seal washer G1
4	1	STM8169	Plug G1	Plug G1
5	1	CT30232	Plug G3/8	Plug G3/8
6	1	STM2019	Afdichtring M18	Seal washer M18
7	1	STM2006	Temperatuur schakelaar 75 °C enkelpolig	Thermo switch 75 °C single-pole
	1	STM9196	Temperatuur schakelaar 71 °C dubbelpolig	Thermo switch 71 °C double-pole
8	1	STM4081	Plug G1/8	Plug G1/8
9	1	STM8170	Verdeler DT43-DTA43	Diffusor DT43-DTA43
	1	STM8171	Verdeler DT64-DTA64	Diffusor DT64-DTA64
10	2	STM8138	Bout M5x10 RVS	Bolt M5x10
11	3	STM3749	Ring M8 DT43-DTA43	Washer M8 DT43-DTA43
	4	STM3749	Ring M8 DT64-DTA64	Washer M8 DT64-DTA64
12	3	STM1056	Veerring M8 DT43-DTA43	Spring washer M8 DT43-DAT43
	4	STM1056	Veerring M8 DT64-DTA64	Spring washer M8 DT64-DTA64
13	3	STM1610	Bout M8x25 DT43-DTA43	Bolt M8x25 DT43-DAT43
	4	STM1610	Bout M8x25 DT64-DTA64	Bolt M8x25 DT64-DTA64
14	1	STM8201	Uitlaat injectiebocht ø90 compleet DT43-DTA43	Exhaust injection elbow ø90 cpl. DT43-DTA43
	1	STM8202	Uitlaat injectiebocht ø100 compleet DT64	Exhaust injection elbow ø100 cpl. DT64
	1	STM8203	Uitlaat injectiebocht ø125 compleet DTA64	Exhaust injection elbow ø125 cpl. DTA64
15	1	STM8707	Flens DT43	Flange DT43
	1	STM8706	Flens DT64	Flange DT64
16	1	STM8179	Afdichtstop M18x1,5	Plug M18x1.5
17	3	STM1651	Bout M8x35 DT43	Bolt M8x35 DT43
	4	STM1651	Bout M8x35 DT64	Bolt M8x35 DT64

groep/ group	blz./ page	type	omschrijving/description	datum/date
3	7	DT43 - DTA43 DT64 - DTA64	Uitlaat injectiebocht Exhaust injection elbow	07 05 97



3

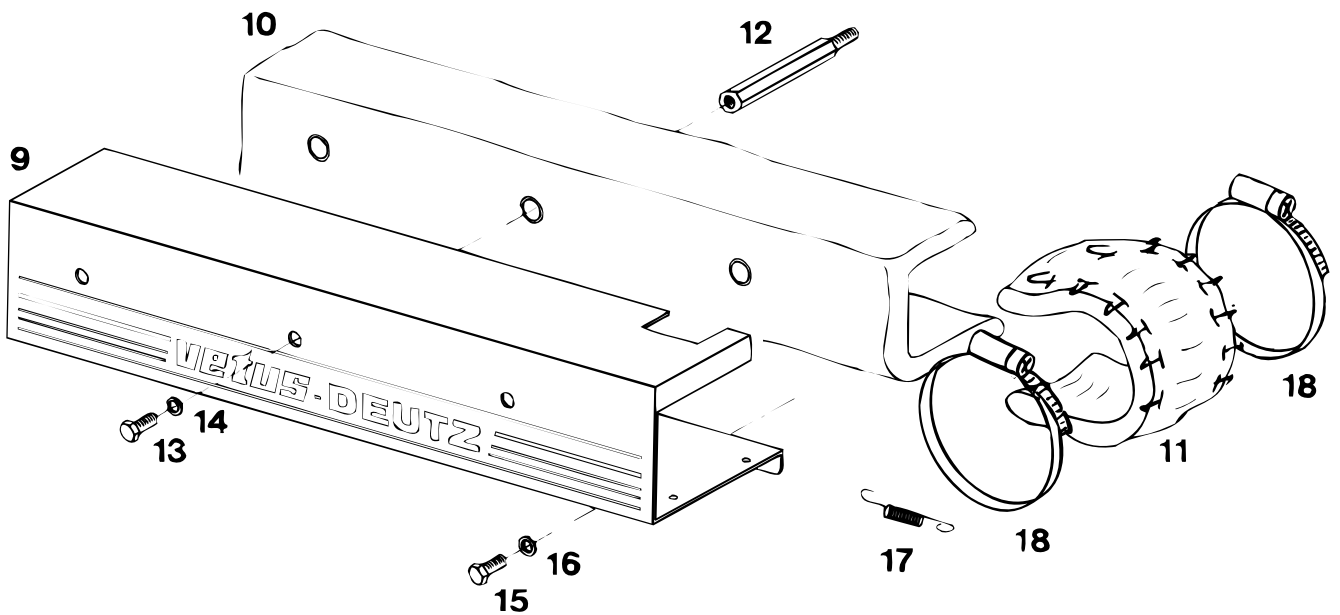
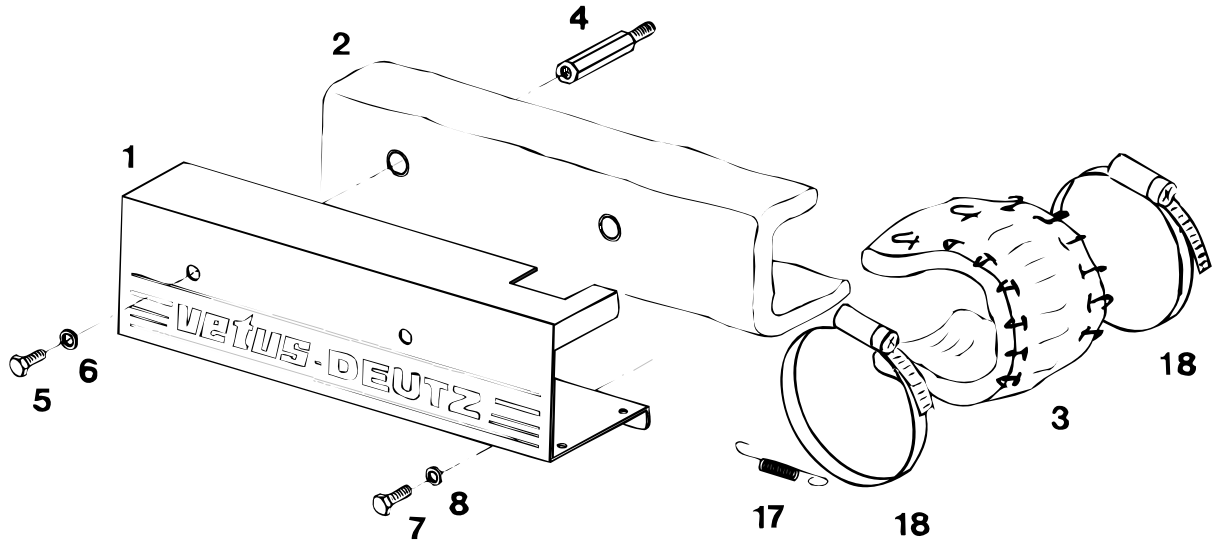
onderdelencatalogus parts catalogue



groep/ group 3	blz./ page 8	type DT43 DT64	omschrijving/description Uitlaat afscherming Exhaust cover	datum/date 15 04 97
----------------------	--------------------	----------------------	--	------------------------

pos.	qty	part	benaming	description
1	1	STM8114	Beschermkast DT43	Protection cover DT43
2	1	STM8254	Isolatie DT43	Insulation DT43
3	1	STM8253	Isolatie DT43	Insulation DT43
4	2	STM8252	Afstandhouder l=90	Spacer l=90
5	2	STM4055	Bout M8x15	Bolt M8x15
6	2	STM1056	Veerring M8	Spring washer M8
7	2	STM4055	Bout M8x15	Bolt M8x15
8	2	STM1056	Veerring M8	Spring washer M8
9	1	STM8116	Beschermkast DT64	Protection cover DT64
10	1	STM8256	Isolatie DT64	Insulation DT64
11	1	STM8257	Isolatie DT64	Insulation DT64
12	3	STM8255	Afstandhouder l=126	Spacer l=126
13	3	STM4055	Bout M8x15	Bolt M8x15
14	3	STM1056	Veerring M8	Spring washer M8
15	4	STM4055	Bout M8x15	Bolt M8x15
16	4	STM1056	Veerring M8	Spring washer M8
17	2	STM8290	Veer	Spring
18	2	STM8384	Slangklem DT43	Hose clamp DT43
	2	STM8376	Slangklem DT64	Hose clamp DT64

groep/ group	blz./ page	type	omschrijving/description	datum/date
3	8	DT43 DT64	Uitlaat afscherming Exhaust cover	15 04 97



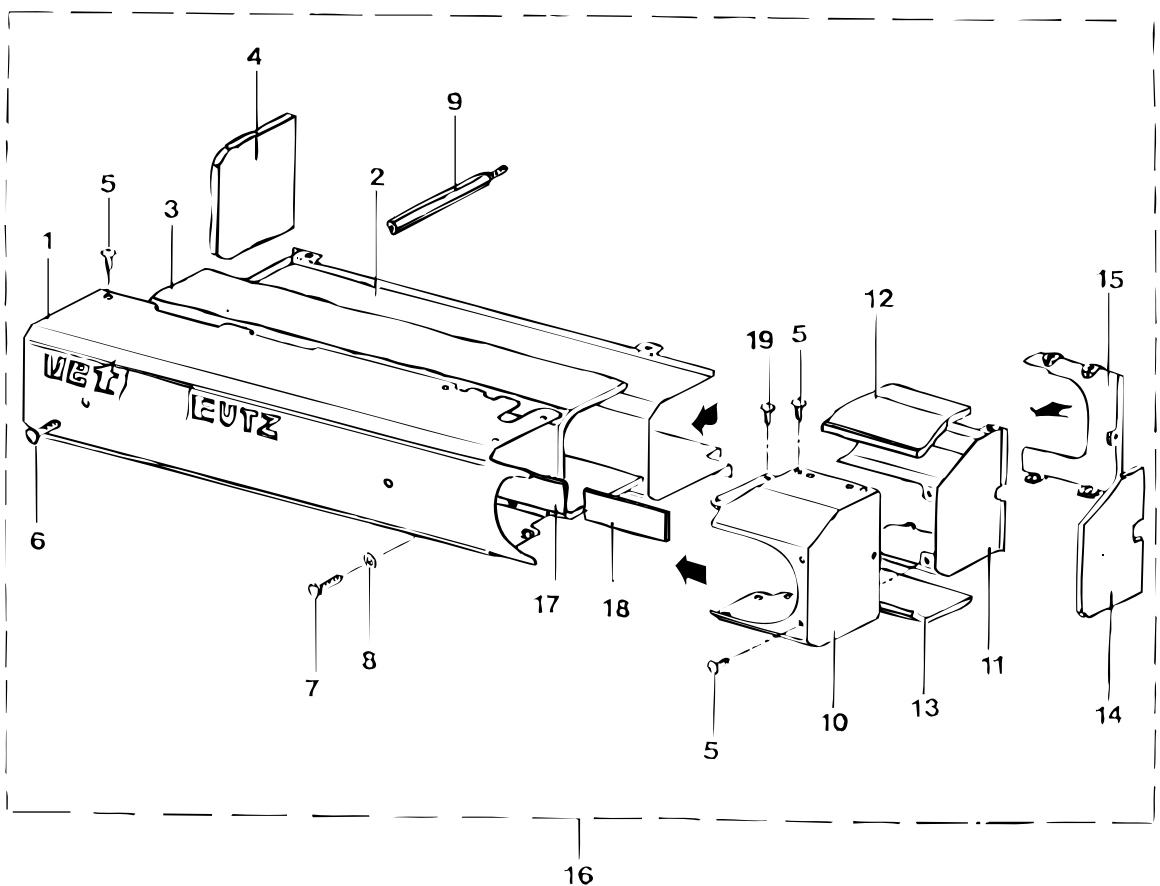
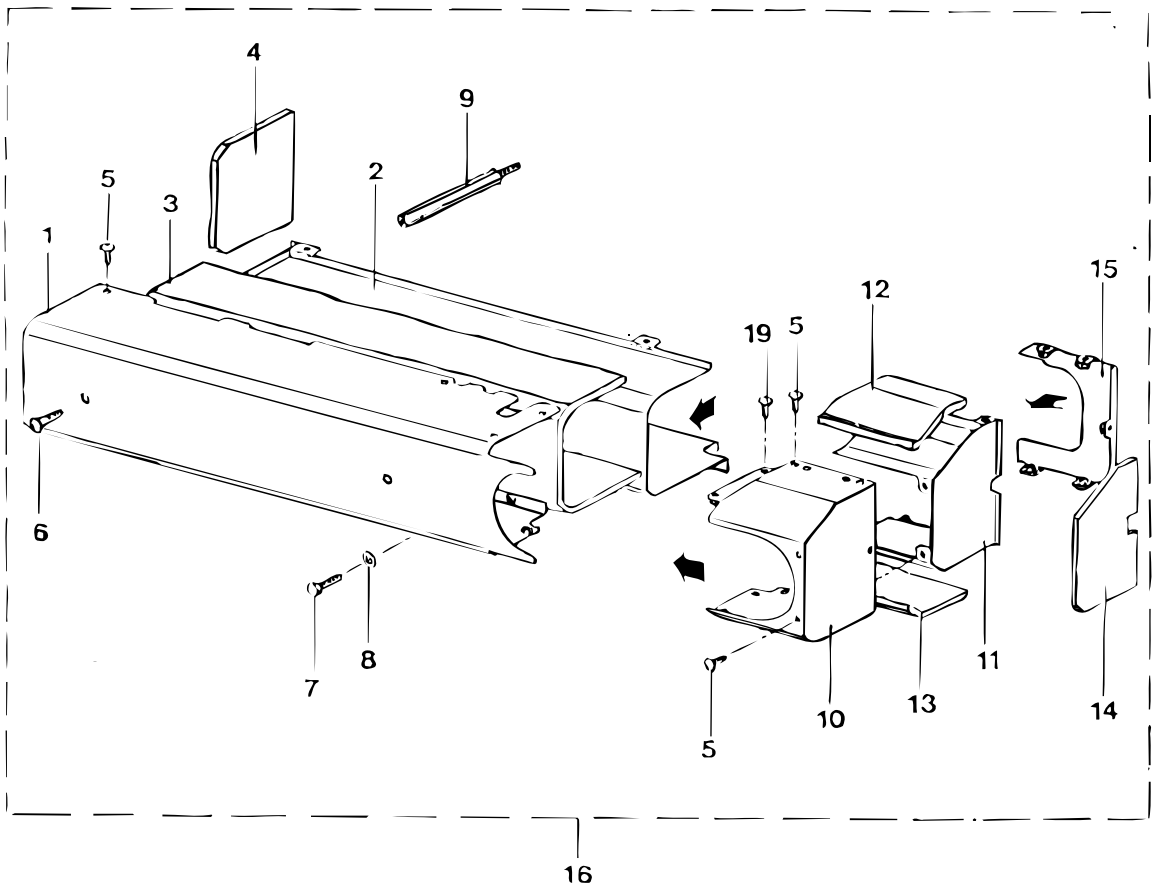
onderdelencatalogus parts catalogue



groep/ group 3	blz./ page 8a	type DT43	omschrijving/description Uitlaat afscherming Exhaust cover	datum/date 11 11 02
----------------------	---------------------	--------------	--	------------------------

pos.	qty	part	benaming	description
1	1	STM8452	Beschermkast buiten zonder logo	Protection cover outside without a logo
	1	STM8408	Beschermkast buiten met logo	Protection cover outside with a logo
2	1	STM8451	Beschermkast binnen	Protection cover inside
3	1	STM8457	Isolatie	Insulation
4	1	STM8458	Isolatie	Insulation
5	18	STM8437	Inbus bout M6x8	Allen screw M6x8
6	2	STM8425	Bout M8x12	Bolt M8x12
7	2	STM8425	Bout M8x12	Bolt M8x12
8	2	STM8424	Veerring M8	Spring washer M8
9	2	STM8462	Afstandshouder M8 L=100	Spacer M8 L=100
10	1	STM8455	Beschermkast turbo buiten	Protection cover turbo outside
11	1	STM8454	Beschermkast turbo binnen	Protection cover turbo inside
12	1	STM8459	Isolatie	Insulation
13	1	STM8460	Isolatie	Insulation
14	1	STM8461	Isolatie	Insulation
15	1	STM8498	Achterplaat turbo	Backplate turbo
16	1	STM8418	Afscherming cpl. zonder logo	Protection cover cpl. without a logo
	1	STM8413	Afscherming cpl. met logo	Protection cover cpl. with a logo
17	1	STM8646	Decoratieplaat geel	Decoration plate yellow
18	1	STM8647	Decoratieplaat blauw	Decoration plate blue
19	1	STM8899	Inbus bout M6x12	Allen screw M6x12

groep/ group	blz./ page	type	omschrijving/description	datum/date
3	8a	DT43	Uitlaat afscherming Exhaust cover	11 11 02



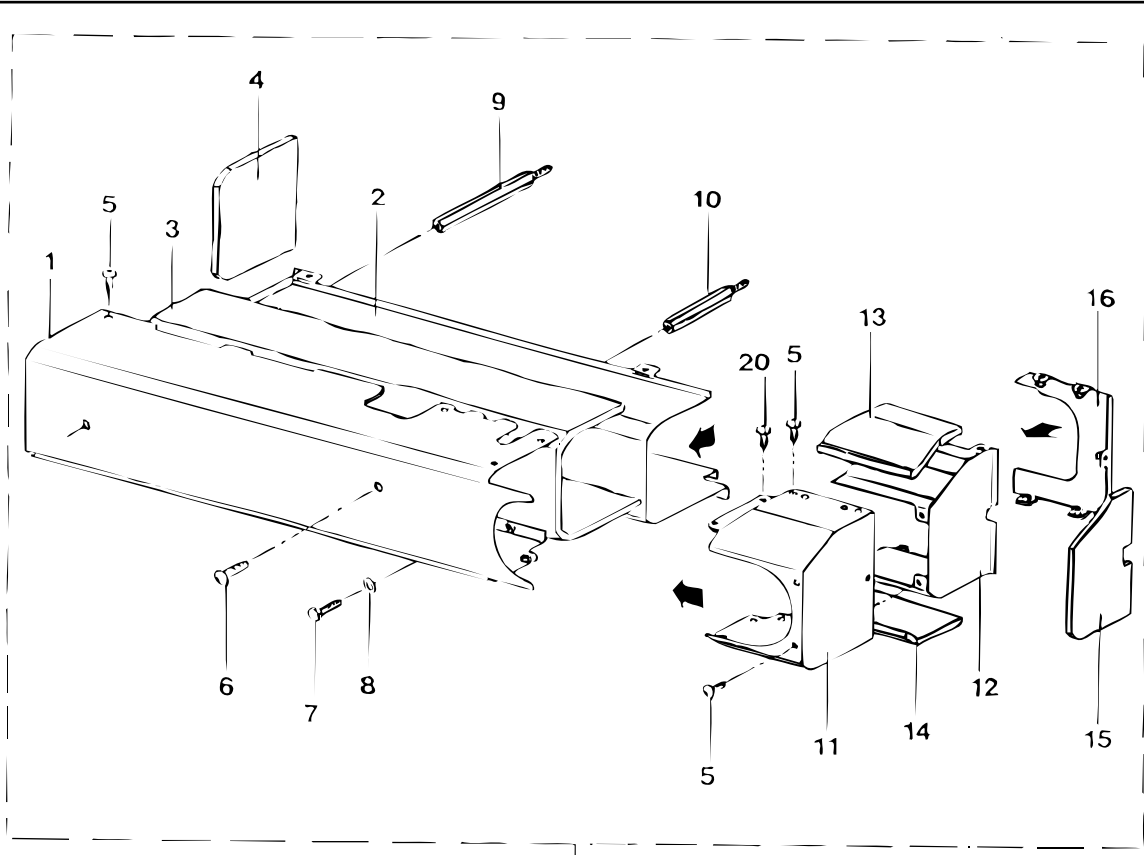
onderdelencatalogus parts catalogue



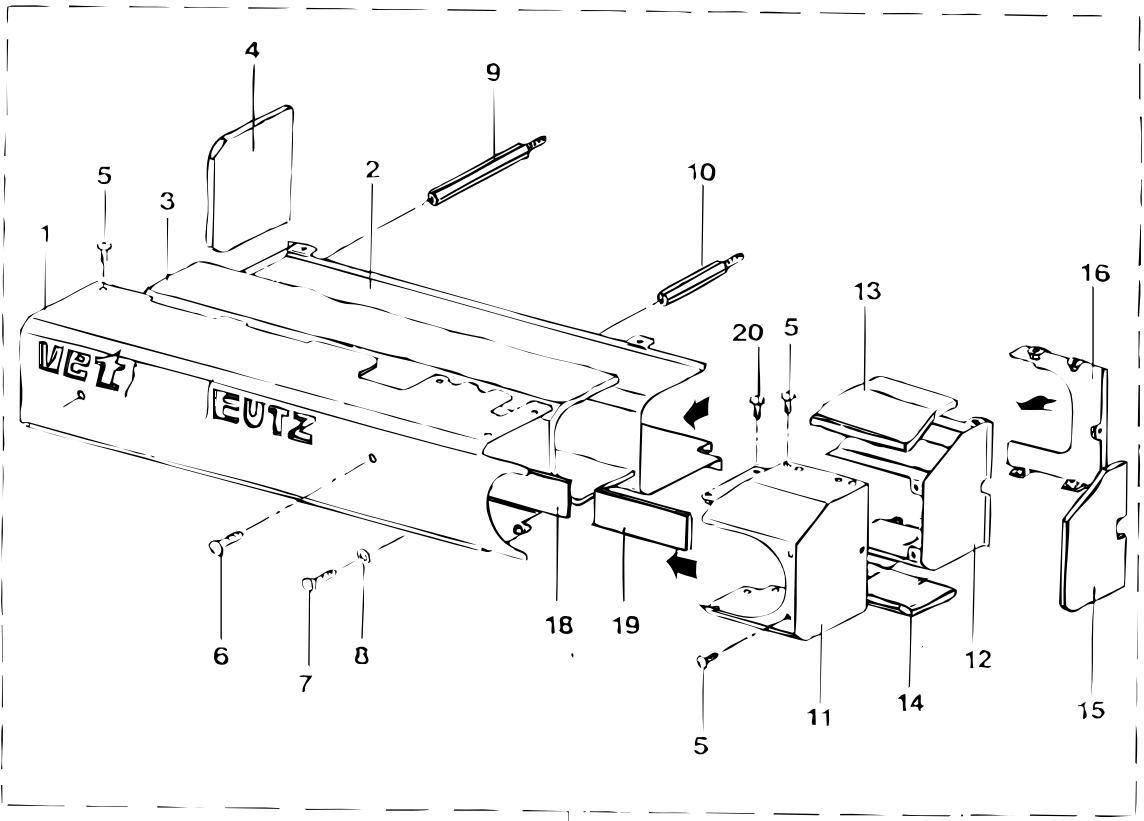
groep/ group 3	blz./ page 8b	type DTA43	omschrijving/description Uitlaat afscherming Exhaust cover	datum/date 11 11 02
----------------------	---------------------	---------------	--	------------------------

pos.	qty	part	benaming	description
1	1	STM8465	Beschermkast buiten zonder logo	Protection cover outside without a logo
	1	STM8409	Beschermkast buiten met logo	Protection cover outside with a logo
2	1	STM8464	Beschermkast binnen	Protection cover inside
3	1	STM8467	Isolatie	Insulation
4	1	STM8458	Isolatie	Insulation
5	18	STM8437	Inbus bout M6x8	Allen screw M6x8
6	2	STM8425	Bout M8x12	Bolt M8x12
7	2	STM8425	Bout M8x12	Bolt M8x12
8	2	STM8424	Veerring M8	Spring washer M8
9	1	STM8462	Afstandshouder M8 L=100	Spacer M8 L=100
10	1	STM8440	Afstandshouder M8 L=55	Spacer M8 L=55
11	1	STM8455	Beschermkast turbo buiten	Protection cover turbo outside
12	1	STM8454	Beschermkast turbo binnen	Protection cover turbo inside
13	1	STM8459	Isolatie	Insulation
14	1	STM8460	Isolatie	Insulation
15	1	STM8461	Isolatie	Insulation
16	1	STM8498	Achterplaat turbo	Backplate turbo
17	1	STM8419	Afscherming cpl. zonder logo	Protection cover cpl. without a logo
	1	STM8414	Afscherming cpl. met logo	Protection cover cpl. with a logo
18	1	STM8646	Decoratieplaat geel	Decoration plate yellow
19	1	STM8647	Decoratieplaat blauw	Decoration plate blue
20	1	STM8899	Inbus bout M6x12	Allen screw M6x12

groep/ group	blz./ page	type	omschrijving/description	datum/date
3	8b	DTA43	Uitlaat afscherming Exhaust cover	11 11 02



17



17

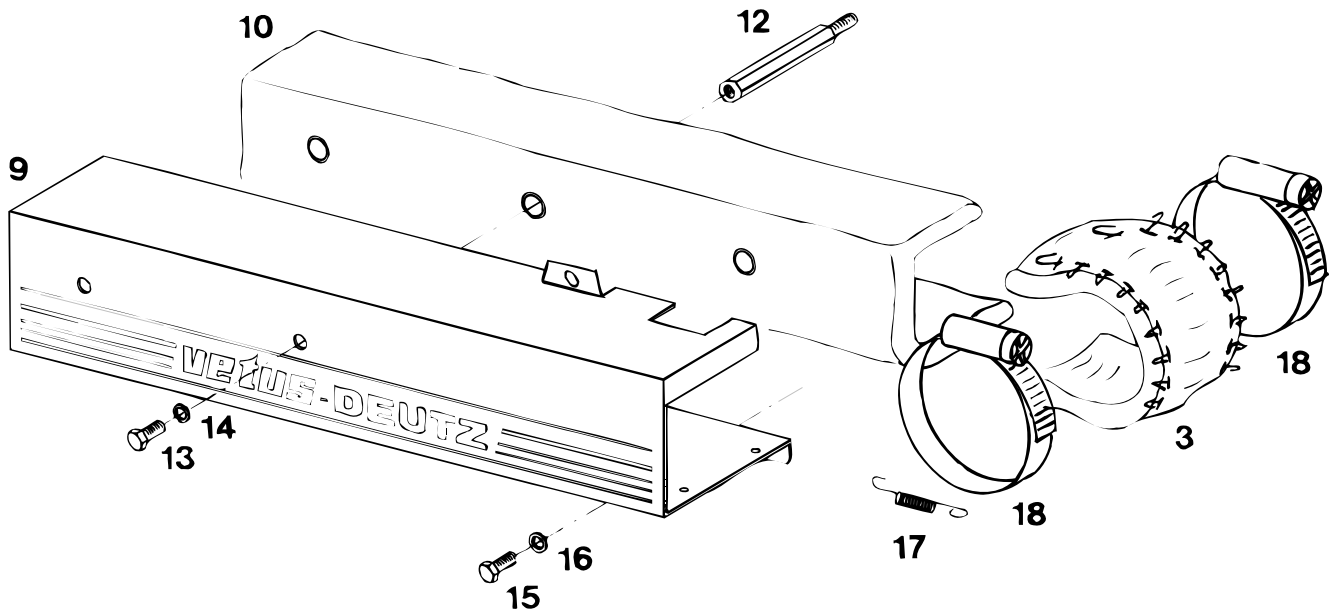
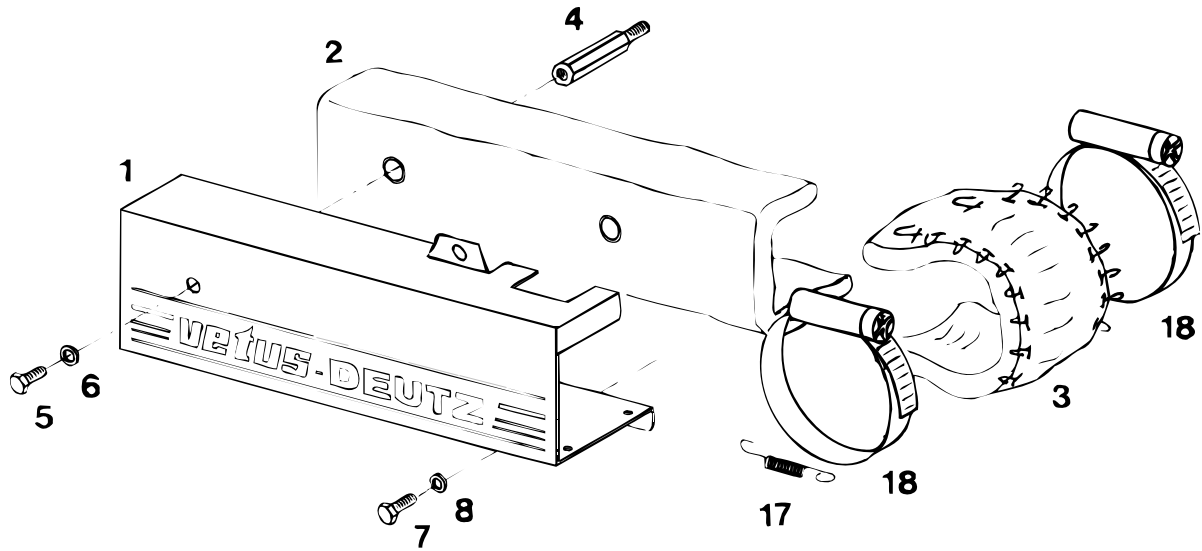
onderdelencatalogus parts catalogue



groep/ group	blz./ page	type	omschrijving/description	datum/date
3	9	DTA43 DTA64	Uitlaat afscherming Exhaust cover	15 04 97

pos.	qty	part	benaming	description
1	1	STM8338	Beschermkast DTA43	Protection cover DTA43
2	1	STM8254	Isolatie DTA43	Insulation DTA43
3	1	STM8253	Isolatie DTA43	Insulation DTA43
4	1	STM8252	Afstandhouder l=90	Spacer l=90
5	2	STM4055	Bout M8x15	Bolt M8x15
6	2	STM1056	Veerring M8	Spring washer
7	2	STM4055	Bout M8x15	Bolt M8x15
8	2	STM1056	Veerring M8	Spring washer M8
9	1	STM8339	Beschermkast DTA64	Protection cover DTA64
10	1	STM8256	Isolatie DTA64	Insulation DTA64
11	1	STM8257	Isolatie DTA64	Insulation DTA64
12	2	STM8255	Afstandhouder l=126	Spacer l=126
13	3	STM4055	Bout M8x15	Bolt M8x15
14	3	STM1056	Veerring M8	Spring washer M8
15	4	STM4055	Bout M8x15	Bolt M8x15
16	4	STM1056	Veerring M8	Spring washer M8
17	2	STM8290	Veer	Spring
18	2	STM8384	Slangklem DTA43	Hose clamp DTA43
	2	STM8376	Slangklem DTA64	Hose clamp DTA64

groep/ group	blz./ page	type	omschrijving/description	datum/date
3	9	DTA43 DTA64	Uitlaat afscherming Exhaust cover	15 04 97



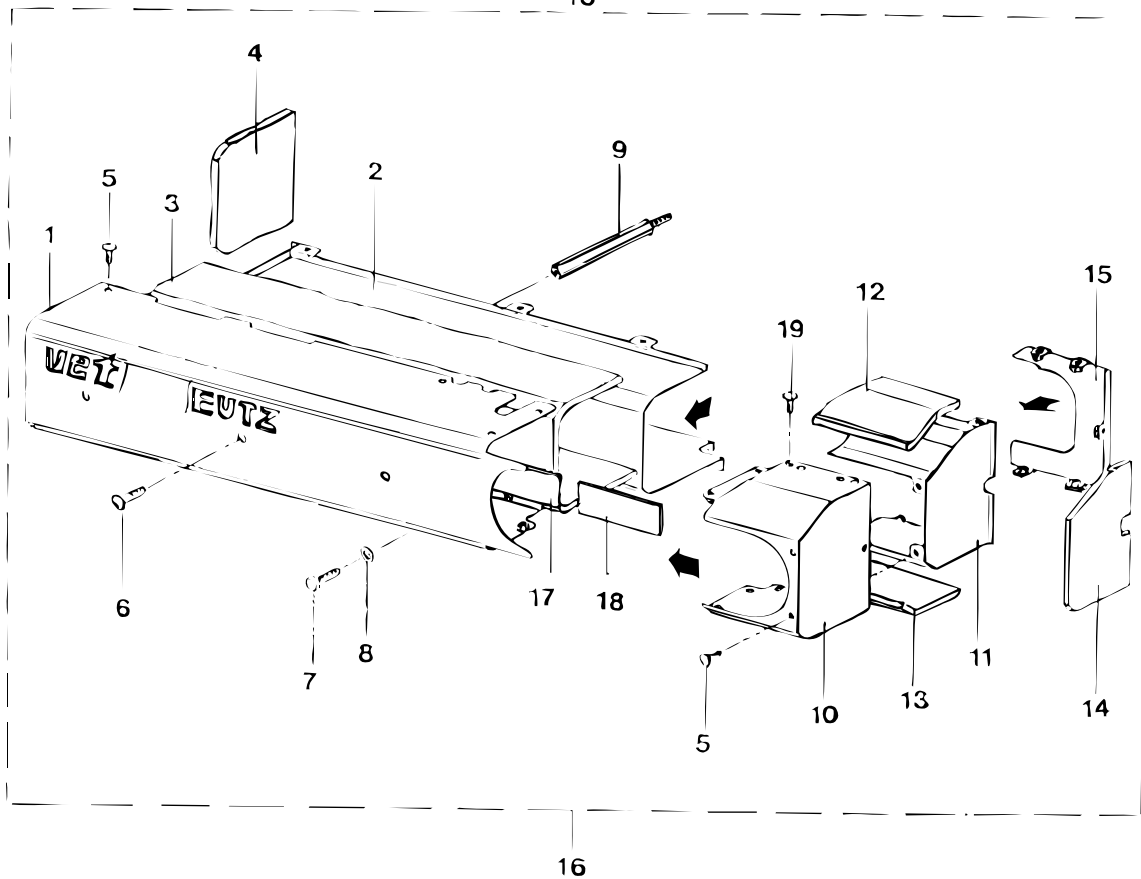
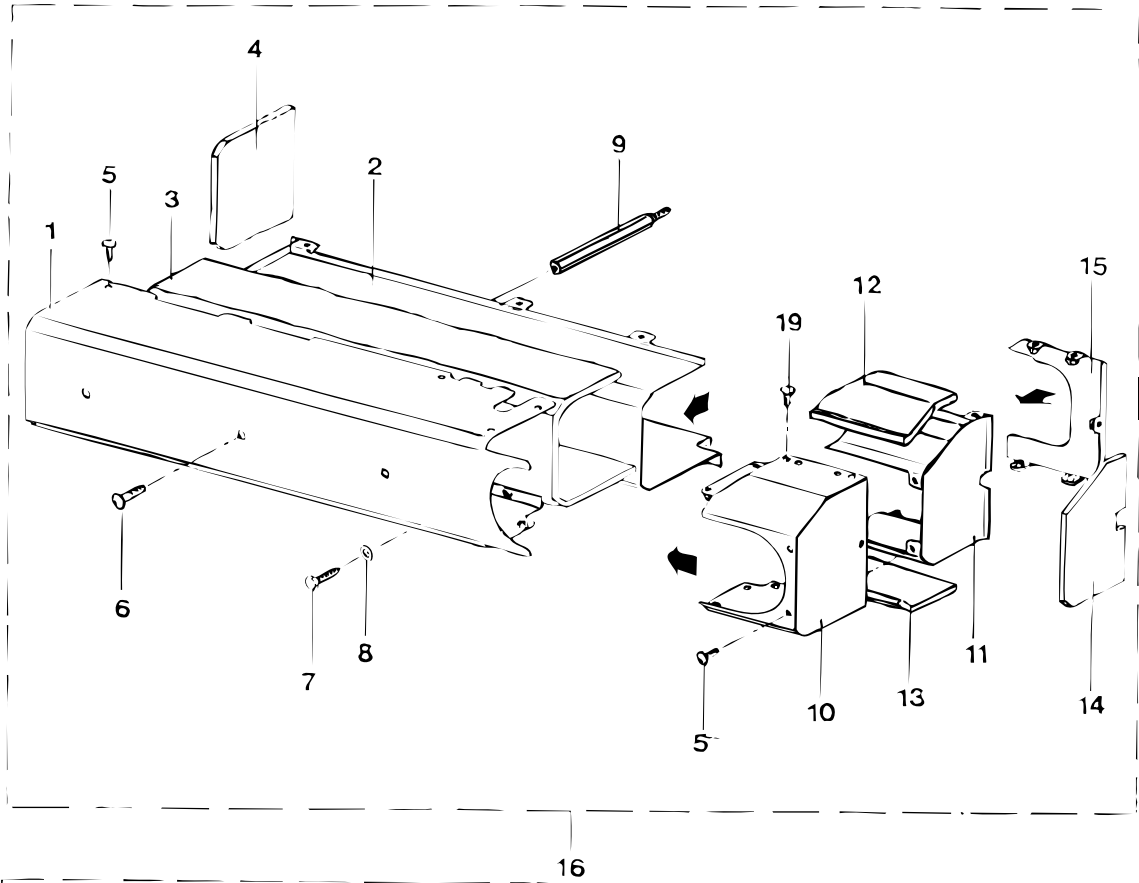
onderdelencatalogus parts catalogue



groep/ group	blz./ page	type	omschrijving/description	datum/date
3	9a	DT64	Uitlaat afscherming Exhaust cover	11 11 02

pos.	qty	part	benaming	description
1	1	STM8469	Beschermkast buiten zonder logo	Protection cover outside without a logo
	1	STM8410	Beschermkast buiten met logo	Protection cover with a logo
2	1	STM8468	Beschermkast binnen	Protection cover inside
3	1	STM8474	Isolatie	Insulation
4	1	STM8475	Isolatie	Insulation
5	20	STM8437	Inbus bout M6x8	Allen screw M6x8
6	3	STM8425	Bout M8x12	Bolt M8x12
7	4	STM8425	Bout M8x12	Bolt M8x12
8	4	STM8424	Veerring M8	Spring washer M8
9	3	STM8441	Afstandhouder M8 L=133	Spacer M8 L=133
10	1	STM8472	Beschermkast turbo buiten	Protection cover turbo outside
11	1	STM8471	Beschermkast turbo binnen	Protection cover turbo inside
12	1	STM8476	Isolatie	Insulation
13	1	STM8477	Isolatie	Insulation
14	1	STM8478	Isolatie	Insulation
15	1	STM8497	Achterplaat turbo	Backplate turbo
16	1	STM8420	Afscherming cpl. zonder logo	Protection cover cpl. without a logo
	1	STM8415	Afscherming cpl. met logo	Protection cover cpl. with a logo
17	1	STM8646	Decoratieplaat geel	Decoration plate yellow
18	1	STM8647	Decoratieplaat blauw	Decoration plate blue
19	1	STM8899	Inbus bout M6x12	Allen screw M6x12

groep/ group	blz./ page	type	omschrijving/description	datum/date
3	9a	DT64	Uitlaat afscherming Exhaust cover	11 11 02



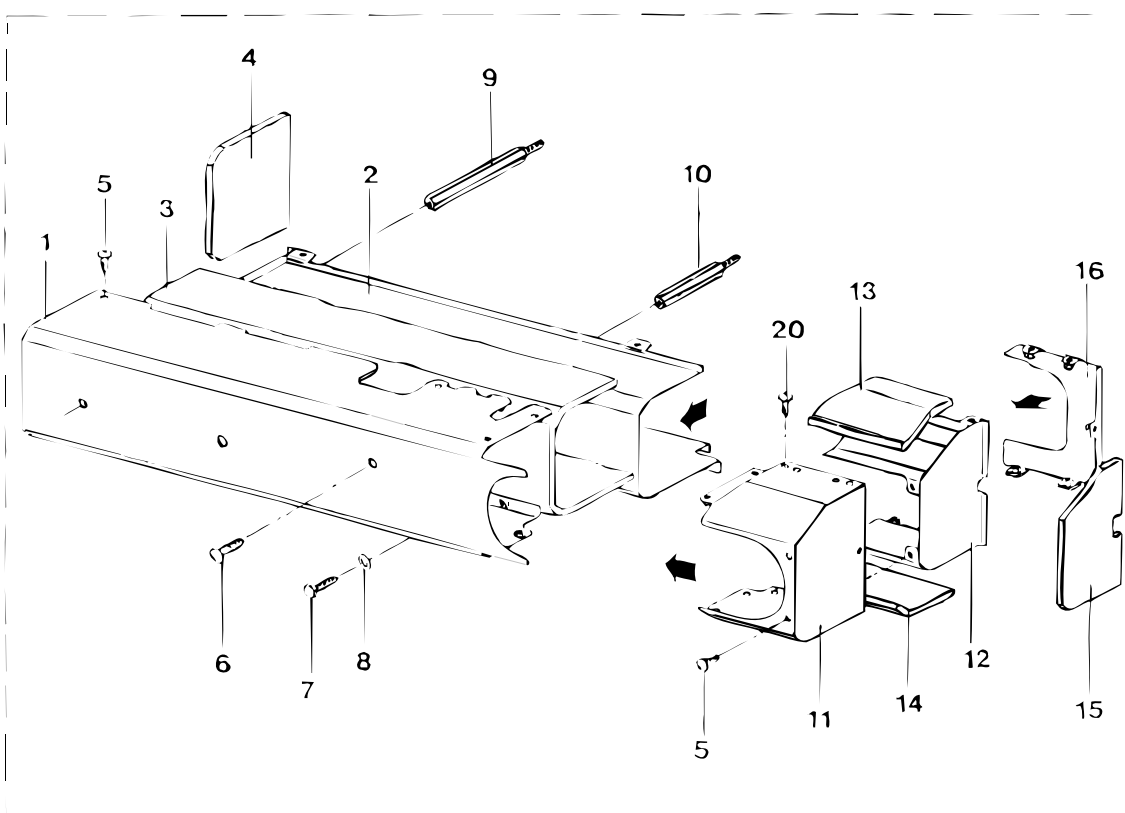
onderdelencatalogus parts catalogue



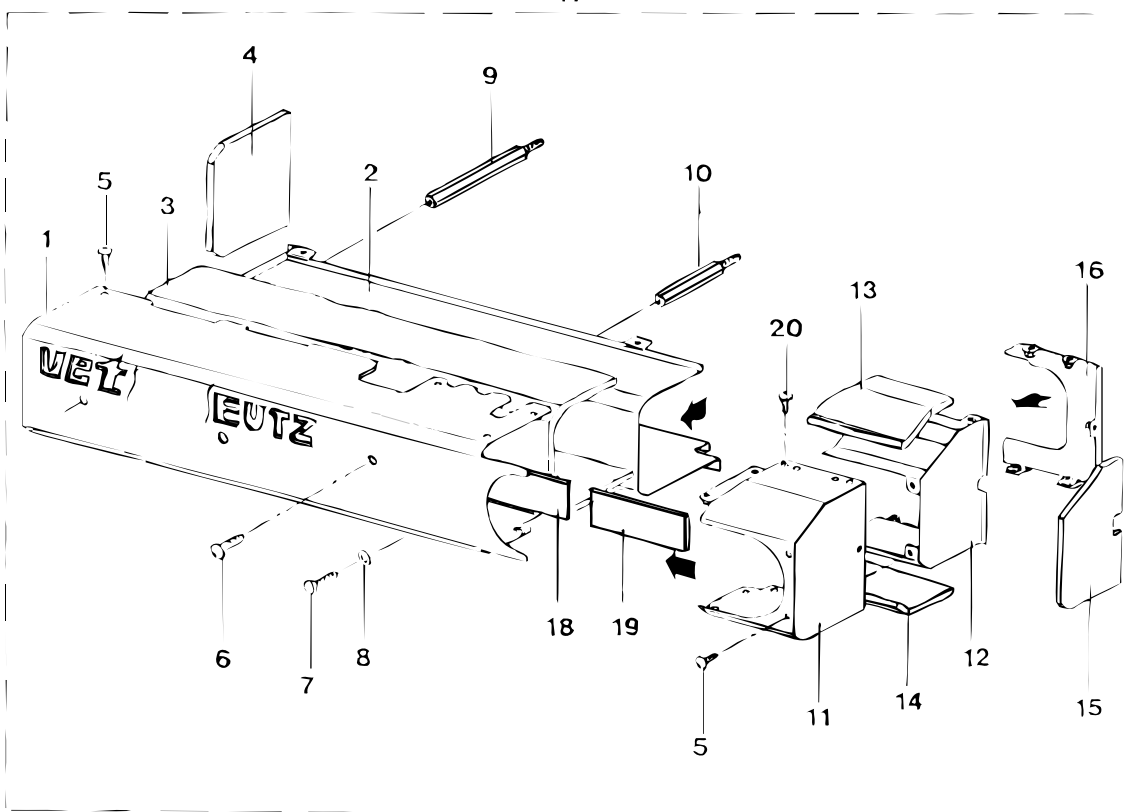
groep/ group	blz./ page	type	omschrijving/description	datum/date
3	9b	DTA64	Uitlaat afscherming Exhaust cover	11 11 02

pos.	qty	part	benaming	description
1	1	STM8481	Beschermkast buiten zonder logo	Protection cover outside without a logo
	1	STM8411	Beschermkast buiten met logo	Protection cover outside with a logo
2	1	STM8480	Beschermkast binnen	Protection cover inside
3	1	STM8483	Isolatie	Insulation
4	1	STM8475	Isolatie	Insulation
5	20	STM8437	nbus bout M6x8	Allen screw M6x8
6	3	STM8425	Bout M8x12	Bolt M8x12
7	4	STM8425	Bout M8x12	Bolt M8x12
8	4	STM8424	Veerring M8	Spring washer M8
9	2	STM8441	Afstandhouder M8 L=133	Spacer M8 L=133
10	1	STM8479	Afstandhouder M8 L=88	Spacer M8 L=88
11	1	STM8472	Beschermkast turbo buiten	Protection cover turbo outside
12	1	STM8471	Beschermkast turbo binnen	Protection cover turbo inside
13	1	STM8476	Isolatie	Insulation
14	1	STM8477	Isolatie	Insulation
15	1	STM8478	Isolatie	Insulation
16	1	STM8497	Achterplaat turbo	Backplate turbo
17	1	STM8421	Afscherming cpl. zonder logo	Protection cover cpl. without a logo
	1	STM8416	Afscherming cpl. met logo	Protection cover cpl. with a logo
18	1	STM8646	Decoratieplaat geel	Decoration plate yellow
19	1	STM8647	Decoratieplaat blauw	Decoration plate blue
20	1	STM8899	Inbus bout M6x12	Allen screw M6x12

groep/ group	blz./ page	type	omschrijving/description	datum/date
3	9b	DTA64	Uitlaat afscherming Exhaust cover	11 11 02



17



17

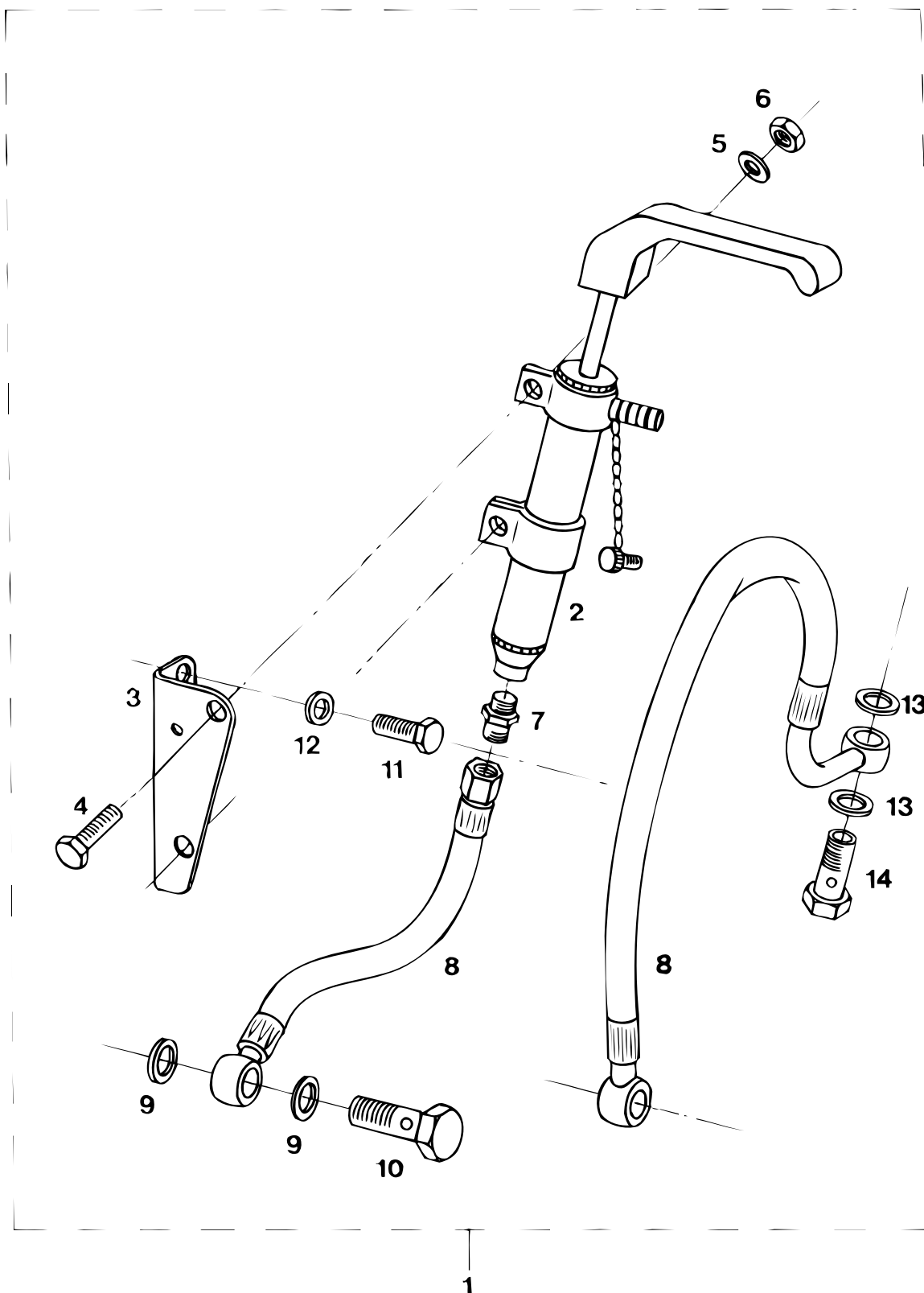
onderdelencatalogus parts catalogue



groep/ group	blz./ page	type	omschrijving/description	datum/date
3	10	DT43 - DTA43 DT64 - DTA64	Olie aftappomp Oil drainpump	31 01 02

pos.	qty	part	benaming	description
1	1	STM8165	Set compleet DT43-DTA43	Set cpl. DT43-DTA43
	1	STM8164	Set compleet DT64-DTA64	Set cpl. DT64-DTA64
2	1	CT30236	Olie aftappomp	Oil drainpump
3	1	STM8166	Steun	Support
4	2	STM4055	Bout M8x15	Bolt M8x15
5	2	STM1056	Veerring M8	Spring washer M8
6	2	STM2005	Moer M8	Nut M8
7	1	STM3766	Nippel G 1/4 - M16	Nipple G 1/4 - M16
8	1	STM8167	Slang DT43-DTA43	Hose DT43-DTA43
	1	STM8163	Slang DT64-DTA64	Hose DT64-DTA64
9	2	STM2019	Afdichtring M18	Seal washer M18
10	1	STM8168	Banjo bout M18	Banjo bolt M18
11	2	STM4055	Bout M8x15	Bolt M8x15
12	2	STM1056	Veerring M8	Spring washer M8
13	2	STM1062	Afdichtring G 1/4	Seal washer G 1/4
14	1	STM8855	Banjo bout G 1/4	Banjo bolt G 1/4

groep/ group	blz./ page	type	omschrijving/description	datum/date
3	10	DT43 - DTA43 DT64 - DTA64	Olie aftappomp Oil drainpump	07 05 97



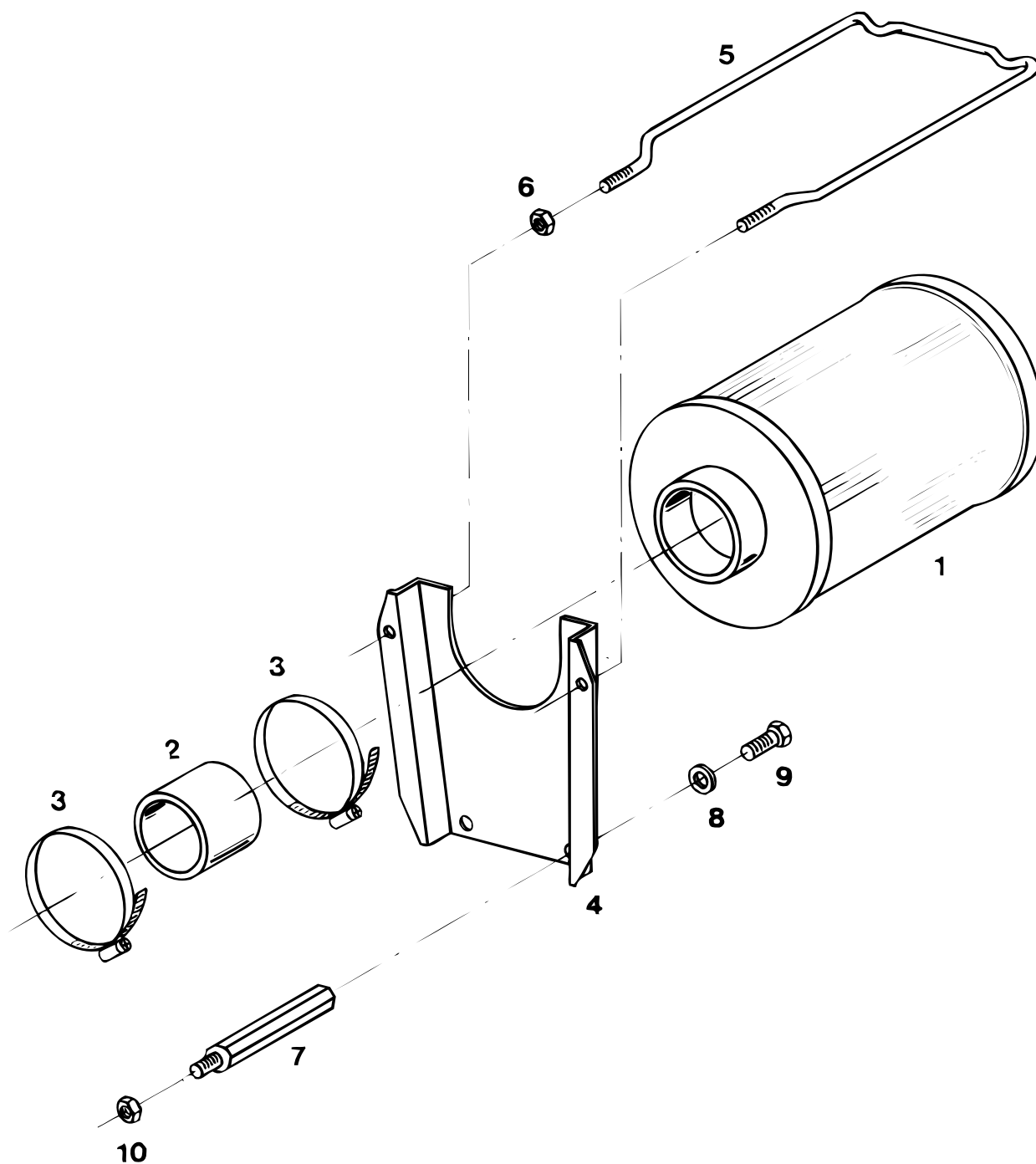
onderdelencatalogus parts catalogue



groep/ group	blz./ page	type	omschrijving/description	datum/date
3	11	DT43 - DTA43 DT64 - DTA64	Luchtfilter Aircleaner	07 05 97

pos.	qty	part	benaming	description
1	1	CT30053	Luchtfilter DT43-DTA43 ø76	AircleanerDT43-DTA43 ø76
	1	CT30108	Luchtfilter DT64-DTA64 ø102	Aircleaner DT64-DTA64 ø102
2	1	STM8188	Bus ø76	Bushing ø76
	1	STM8189	Bus ø102	Bushing ø102
3	2	STM8150	Slangklem 77-95	Hose clamp 77-95
	2	STM8149	Slangklem 87-112	Hose clamp 87-112
4	1	STM8185	Steun	Support
5	1	STM8196	Beugel	Clamp
6	2	STM8129	Zelfborgende moer M6	Nyloc nut M6
7	2	STM8187	Afstandhouder l=90	Spacer l=90
8	2	STM9003	Bout M10x25	Bolt M10x25
9	2	STM4014	Veerring M10	Spring washer M10
10	2	STM4018	Moer M10 (BOBTAIL)	Nut M10 (BOBTAIL)

groep/ group	blz./ page	type	omschrijving/description	datum/date
3	11	DT43 - DTA43 DT64 - DTA64	Luchtfilter Aircleaner	07 05 97



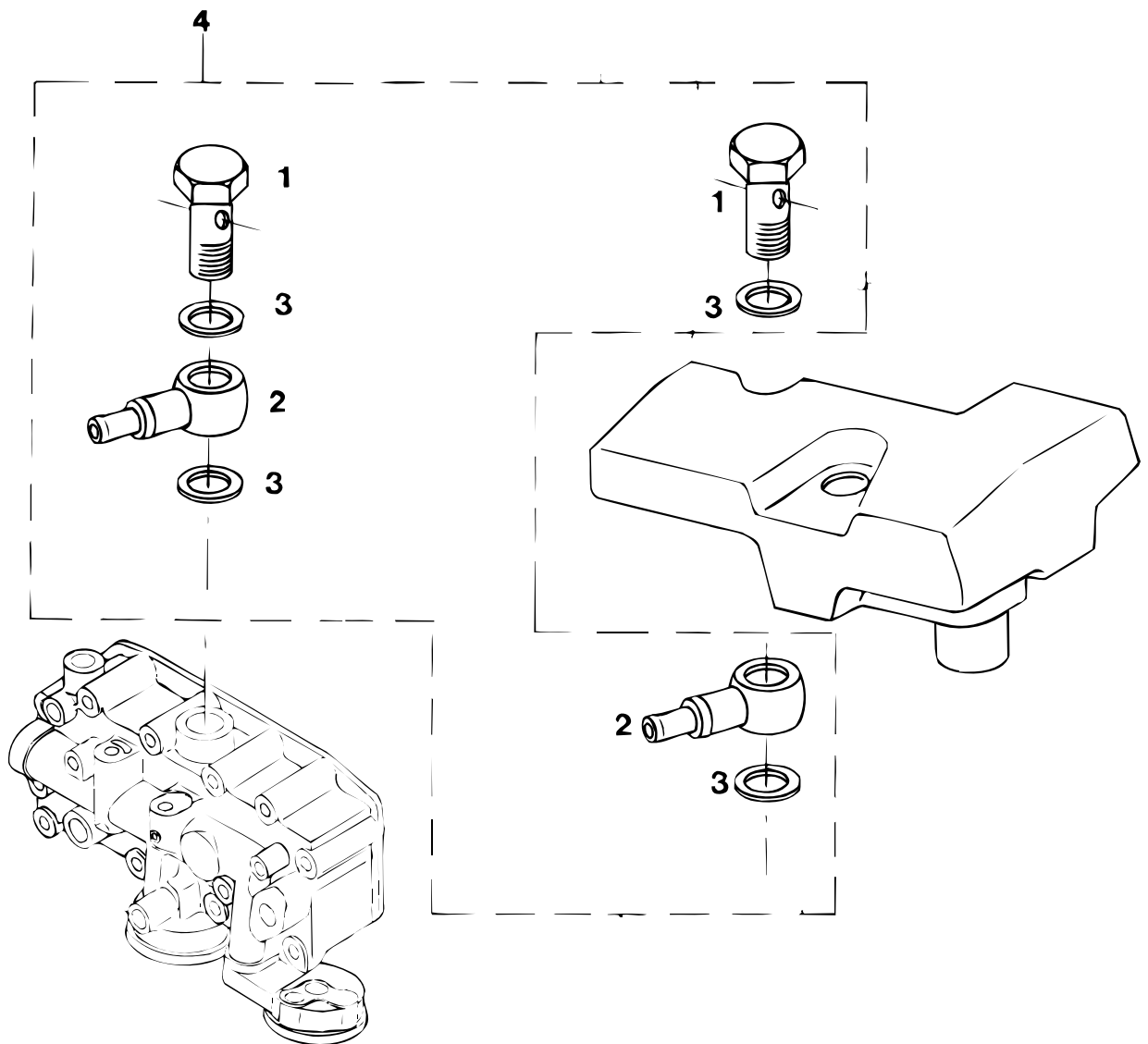
onderdelencatalogus parts catalogue



groep/ group 3	blz./ page 12	type DT43 - DTA43 DT64 - DTA64	omschrijving/description Boiler aansluiting Boiler connection	datum/date 19 06 95
----------------------	---------------------	--------------------------------------	---	------------------------

pos.	qty	part	benaming	description
1	2	STM8263	Banjo bout M26x1,5	Banjo bolt M26x1.5
2	2	STM8265	Banjo oog ø22-ø16	Banjo eye ø22-ø16
3	4	STM6557	Afdichtring M26	Sealing washer M26
4	1	STM8258	Boiler kit	Boiler kit

groep/ group	blz./ page	type	omschrijving/description	datum/date
3	12	DT43 - DTA43 DT64 - DTA64	Boiler aansluiting Boiler connection	19 06 95



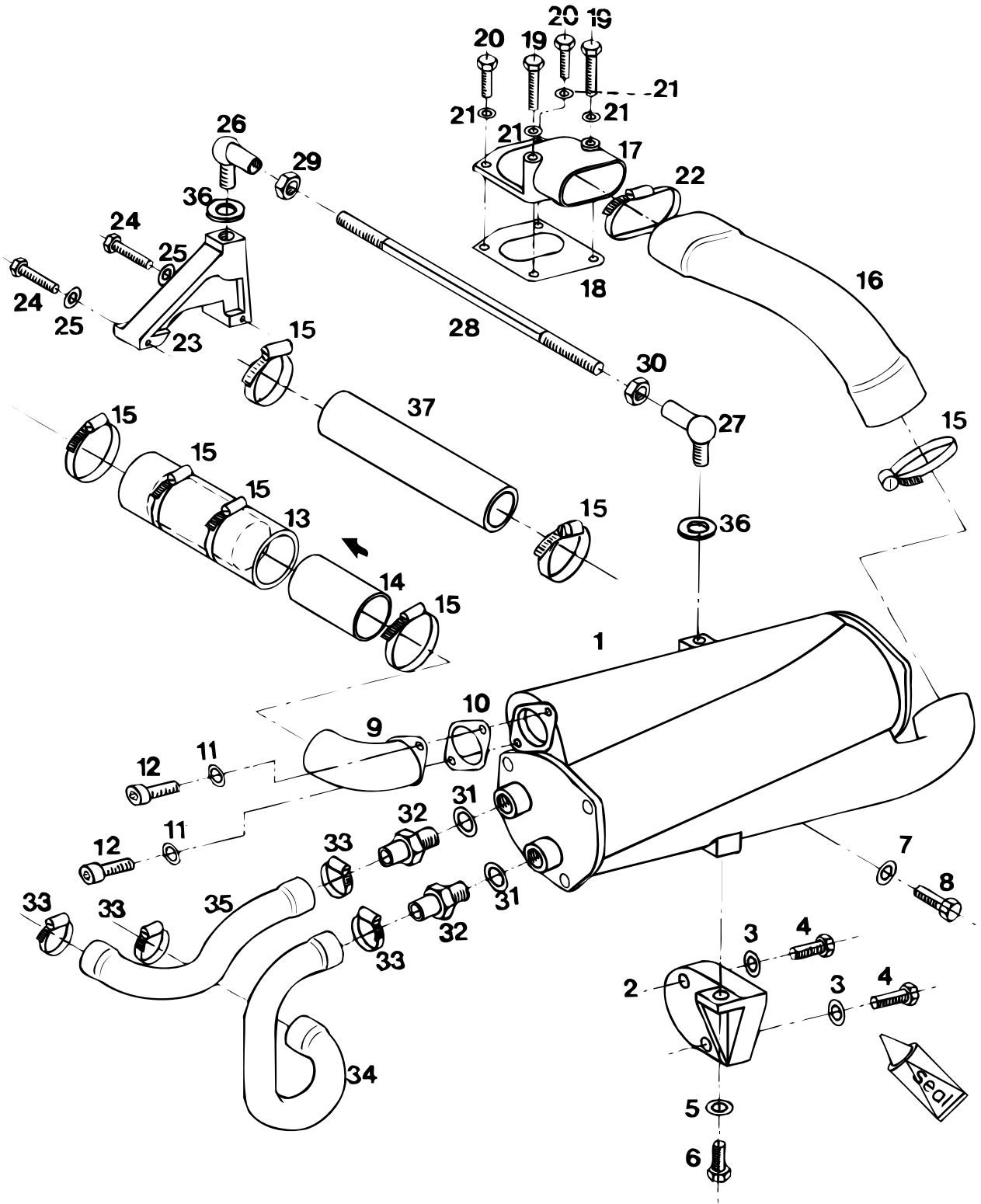
onderdelencatalogus parts catalogue



groep/ group	blz./ page	type	omschrijving/description	datum/date
3	13	DTA43 DTA64	Laadluchtkoeler Aftercooler	07 05 97

pos.	qty	part	benaming	description
1	1	STM8110	Laadluchtkoeler DTA43-DTA64	Aftercooler DTA43-DTA64
	1	STM8793	Pijpenbundel	Tube stack
2	1	STM8140	Steun	Support
3	2	STM4014	Veerring M10	Spring washer M10
4	2	STM6560	Bout M10x50	Bolt M10x50
5	1	STM4014	Veerring M10	Spring washer M10
6	1	STM4062	Bout M10x40	Bolt M10x40
7	1	STM1019	Gegolfde veerring M8	Wave spring washer M8
8	1	STM7059	Bout M8x30	Bolt M8x30
9	1	STM8340	Bocht	Elbow
10	1	STM8131	Pakking	Gasket
11	2	STM1019	Gegolfde veerring M8	Wave spring washer M8
12	2	STM8332	Inbusbout M8x30	Allen screw M8x30
13	1	STM8161	Slang	Hose
14	1	STM8174	Pijp	Pipe
15	5	STM8150	Slangklem 58-75	Hose clamp 58-75
16	1	STM8142	Slang DTA43	Hose DTA43
	1	STM8139	Slang DTA64	Hose DTA64
17	1	STM8141	Luchtpijp	Airpipe
18	1	STM8135	Pakking	Gasket
19	2	STM8331	Bout M8x80	Bolt M8x80
20	2	STM7059	Bout M8x30	Bolt M8x30
21	4	STM1056	Veerring M8	Spring washer M8
22	1	STM8150	Slangklem 58-75	Hose clamp 58-75
23	1	STM8137	Steun	Support
24	2	STM2259	Bout M8x60	Bolt M8x60
25	2	STM1056	Veerring M8	Spring washer
26	1	STM8333	Hoekscharnier M10 R	Angled hinge M10 R
27	1	STM8335	Hoekscharnier M10 L	Angled hinge M10 L
28	1	STM8334	Verbindingsstang M10	Connecting rod M10
29	1	STM4018	Moer M10	Nut M10
30	1	STM8336	Moer M10 L	Nut M10 L
31	2	STM8112	Afdichtring G11/4	Sealing ring G11/4
32	2	STM8115	Slangpilaar G11/4-32	Hose pilar G11/4-32
33	4	STM3005	Slangklem 32-44	Hose clamp 32-44
34	1	STM8143	Slang zeewaterpomp-aftercooler	Hose seawaterpump-aftercooler
35	1	STM8144	Slang aftercooler-oliekoeler	Hose aftercooler-oilcooler
36	2	STM8390	Ring	Washer
37	1	STM8161	Slang (vanaf 3-'97)	Hose (from 3-'97)

groep/ group	blz./ page	type	omschrijving/description	datum/date
3	13	DTA43 DTA64	Laadluchtkoeler Aftercooler	07 05 97



3

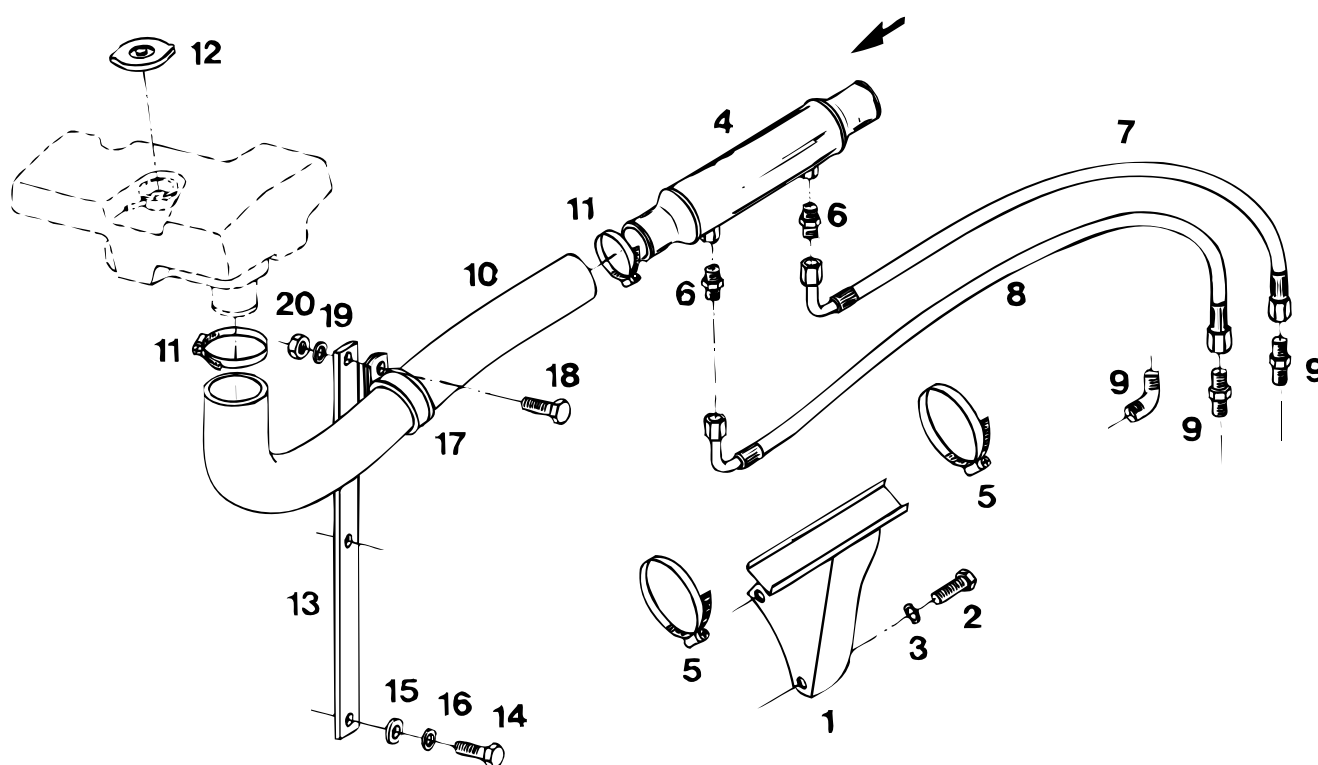
onderdelencatalogus parts catalogue



groep/ group	blz./ page	type	omschrijving/description	datum/date
3	14	DT43 DT64	Kielkoeler Keelcooler	18 06 98

pos.	qty	part	benaming	description	
1	1	STM8704	Steun	Support	
2	2	STM9003	Bolt M10x25	Bolt M10x25	
3	2	STM4014	Veerring M10	Spring washer M10	
4	1	STM8705	Oliekoeler 10"xø75-G3/8 Slangaansluiting ø60	Oilcooler 10"xø75-G3/8 Hose connection ø60	
5	2	STM8148	Slangklem 58-75	Hose clamp 58-75	
6	2	STM3491	Nippel M16x1,5-3/8 NPTF	Nipple M16x1.5-3/8 NPTF	
7	1	CT50079	Slang l=550	Hose l=550	
8	1	CT50012	Slang l=750	Hose l=750	
9	2	STM3491	Nippel M16x1,5-3/8 NPTF	Nipple M16x1.5-3/8 NPTF	Hurth-PRM
	2	CT30112	Nippel M16x1.5-G1/2	Nipple M16x1.5-G1/2	Hurth 800 MPM-Twin disc
	1	STM3491	Nippel M16x1,5-3/8 NPTF	Nipple M16x1.5-3/8 NPTF BW	
	1	STM5009	Haakse nippel M16-G3/8 BW	Angle nipple M16-G3/8 BW	
10	1	STM8709	Slang DT43	Hose DT43	
	1	STM8710	Slang DT64	Hose DT64	
11	2	STM3006	Slangklem 50-65	Hoseclamp 50-65	
12	1	STM9507	Vuldop 'do not open'	Filler cap 'do not open'	
13	1	STM8876	Steun	Support	
14	2	STM1610	Bout M8x25	Bolt M8x25	
15	2	STM3749	Ring M8	Washer M8	
16	2	STM1056	Veerring M8	Spring washer M8	
17	1	STM8875	Klem RSGU1.70/25W1	Clamp RSGU1.70/25W1	
18	1	STM9003	Bout M10x25	Bolt M10x25	
19	1	STM4014	Veerring M10	Spring washer M10	
20	1	STM4018	Moer M10	Nut M10	

groep/ group	blz./ page	type	omschrijving/description	datum/date
3	14	DT43 DT64	Kielkoeler Keelkooler	18 06 98



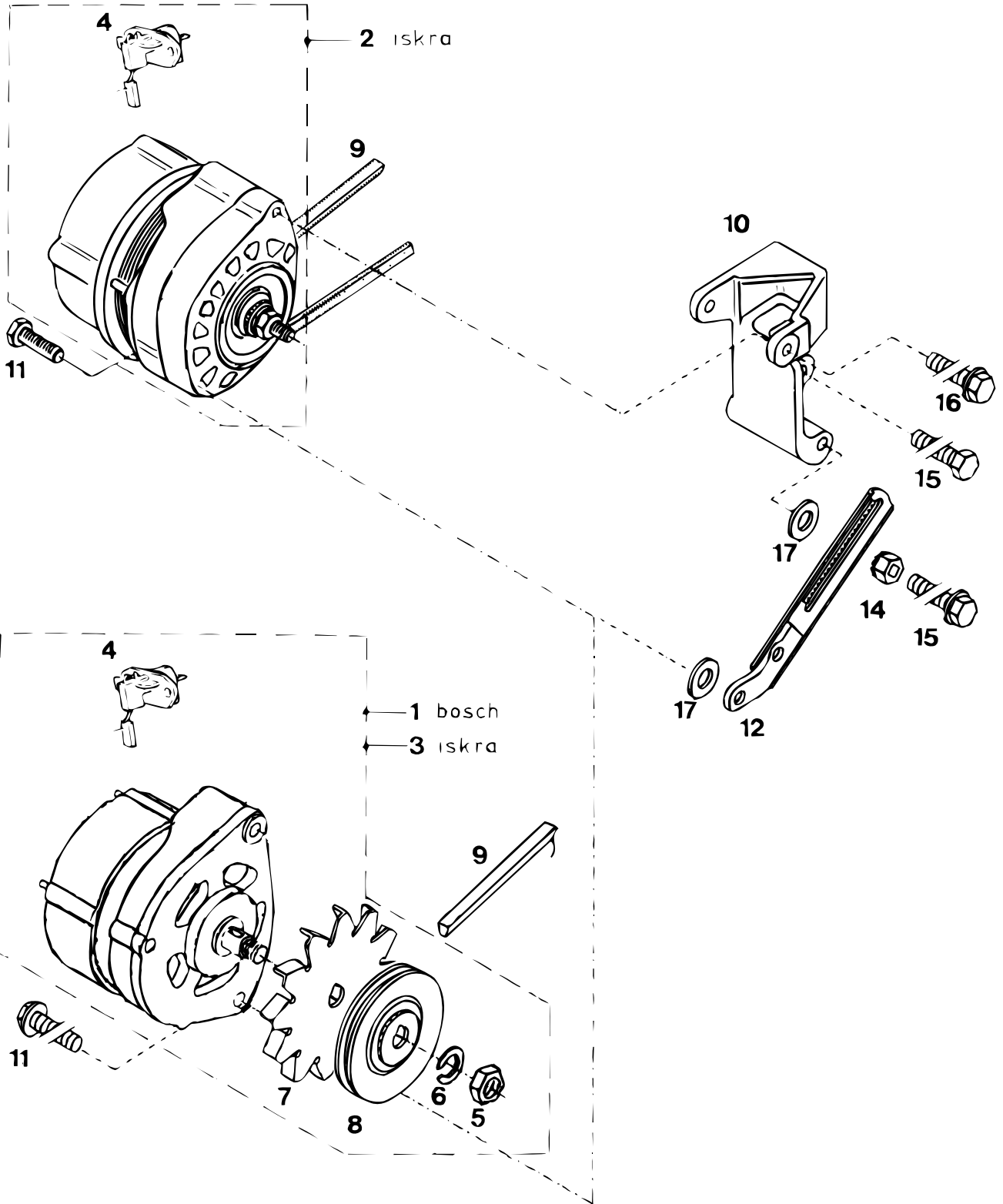
onderdelencatalogus parts catalogue



groep/ group	blz./ page	type	omschrijving/description	datum/date
4	1	DT43 - DTA43 DT64 - DTA64	Dynamo's Alternators	09 12 97

pos.	qty	part	benaming	description
1	1	STM8781	Dynamo 12V-95A 1p Bosch	Alternator 12V-95A 1p Bosch
2	1	STM8660	Dynamo 12V-95A 1p Iskra	Alternator 12V-95A 1p Iskra
	1	STM8661	Dynamo 12V-95A 2p Iskra	Alternator 12V-95A 2p Iskra
3	1	STM8662	Dynamo 24V-55A 1p Iskra	Alternator 24V-55A 1p Iskra
	1	STM8663	Dynamo 24V-55A 2p Iskra	Alternator 24V-55A 2p Iskra
4	1	VD40017	Spanningsregelaar 14V-95A 1p Bosch	Voltage regulator 14V-95A 1p Bosch
	1	STM8666	Spanningsregelaar 14V-95A 1p Iskra	Voltage regulator 14V-95A 1p Iskra
	1	STM8667	Spanningsregelaar 14V-95A 2p Iskra	Voltage regulator 14V-95A 2p Iskra
	1	STM8668	panningsregelaar 28V-55A 1p Iskra	Voltage regulator 28V-55A 1p Iskra
	1	STM8669	Spanningsregelaar 28V-55A 2p Iskra	Voltage regulator 28V-55A 2p Iskra
5	1	VD40002	Moer M16x1,5	Hexagon nut M16x1.5
6	1	VD40003	Ring	Spring washer
7	1	VD40004	Waaier	Fan
8	1	VD40005	V-snaar pulley	V-grooved pulley
9	1	STM8293	V-snaar 9,5x770	V-belt 9.5x770
10	1	STM8762	Steun	Bracket
11	1	STM1610	Bout M8x25	Bolt M8x25
12	1	VD40031	Spansteun	Clamping strap
13	1	VD40032	Moer	Pinion
14	1	VD20178	Bout M8x30	Bolt M8x30
15	3	VD40034	Bout M10x35	Bolt M10x35
16	1	VD20252	Bout M8x75	Bolt M8x75
17	2	VD40036	Ring	Plain washer

groep/ group	blz./ page	type	omschrijving/description	datum/date
4	1	DT43 - DTA43 DT64 - DTA64	Dynamo's Alternators	07 05 97



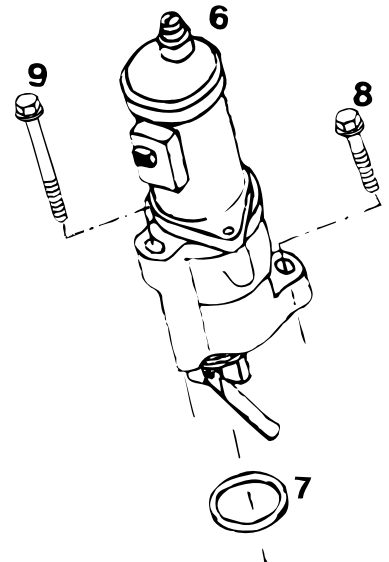
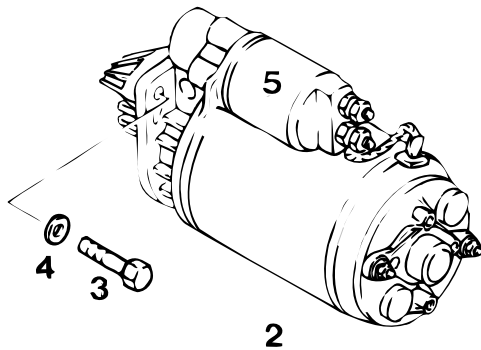
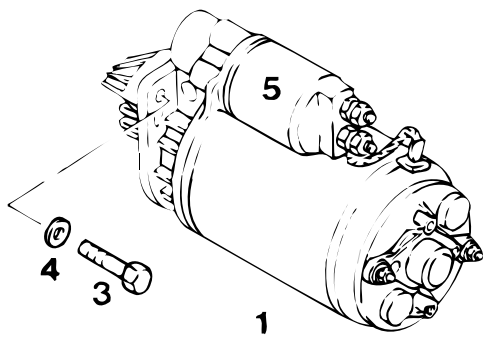
onderdelencatalogus parts catalogue



groep/ group	blz./ page	type	omschrijving/description	datum/date
4	2	DT43 - DTA43 DT64 - DTA64	Startmotor Starter motor	09 12 97

pos.	qty	part	benaming	description
1	1	STM8782	Startmotor Bosch 12V-3,1KW 1p	Starter motor Bosch 12V-3.1KW 1p
	1	STM8783	Startmotor Bosch 24V-4KW 1p	Starter motor Bosch 24V-4KW 1p
2	1	STM8652	Startmotor Iskra 12V-3,1KW 1p	Starter motor Iskra 12V-3.1KW 1p
	1	STM8653	Startmotor Iskra 12V-3,1KW 2p	Starter motor Iskra 12V-3.1KW 2p
	1	STM8654	Startmotor Iskra 24V-4KW 1p	Starter motor Iskra 24V-4KW 1p
	1	STM8655	Startmotor Iskra 24V-4KW 2p	Starter motor Iskra 24V-4KW 2p
3	3	VD40039	Bout M10x38	Bolt M10x38
4	3	VD40040	Ring M10	Washer M10
5	1	STM8784	Relais 12V 1p Bosch	Relay 12V 1p Bosch
	1	STM8785	Relais 24V 1p Bosch	Relay 24V 1p Bosch
	1	STM8676	Relais 12V 1p Iskra	Relay 12V 1p Iskra
	1	STM8770	Relais 12V 2p Iskra	Relay 12V 2p Iskra
	1	STM8677	Relais 24V 1p Iskra	Relay 24V 1p Iskra
	1	STM8771	Relais 24V 2p Iskra	Relay 24V 2p Iskra
6	1	STM8670	Stopsolenoid 12V-3A	Shutdown device 12V-3A
	1	STM8671	Stopsolenoid 24V-1,6A	Shutdown device 24V-1.6A
7	1	VD40042	O-ring 26x3	O-seal 26x3
8	1	VD40043	Bout M8x65	Bolt M8x65
9	1	VD20186	Bout M8x20	Bolt M8x20

groep/ group	blz./ page	type	omschrijving/description	datum/date
4	2	DT43 - DTA43 DT64 - DTA64	Startmotor Starter motor	07 05 97



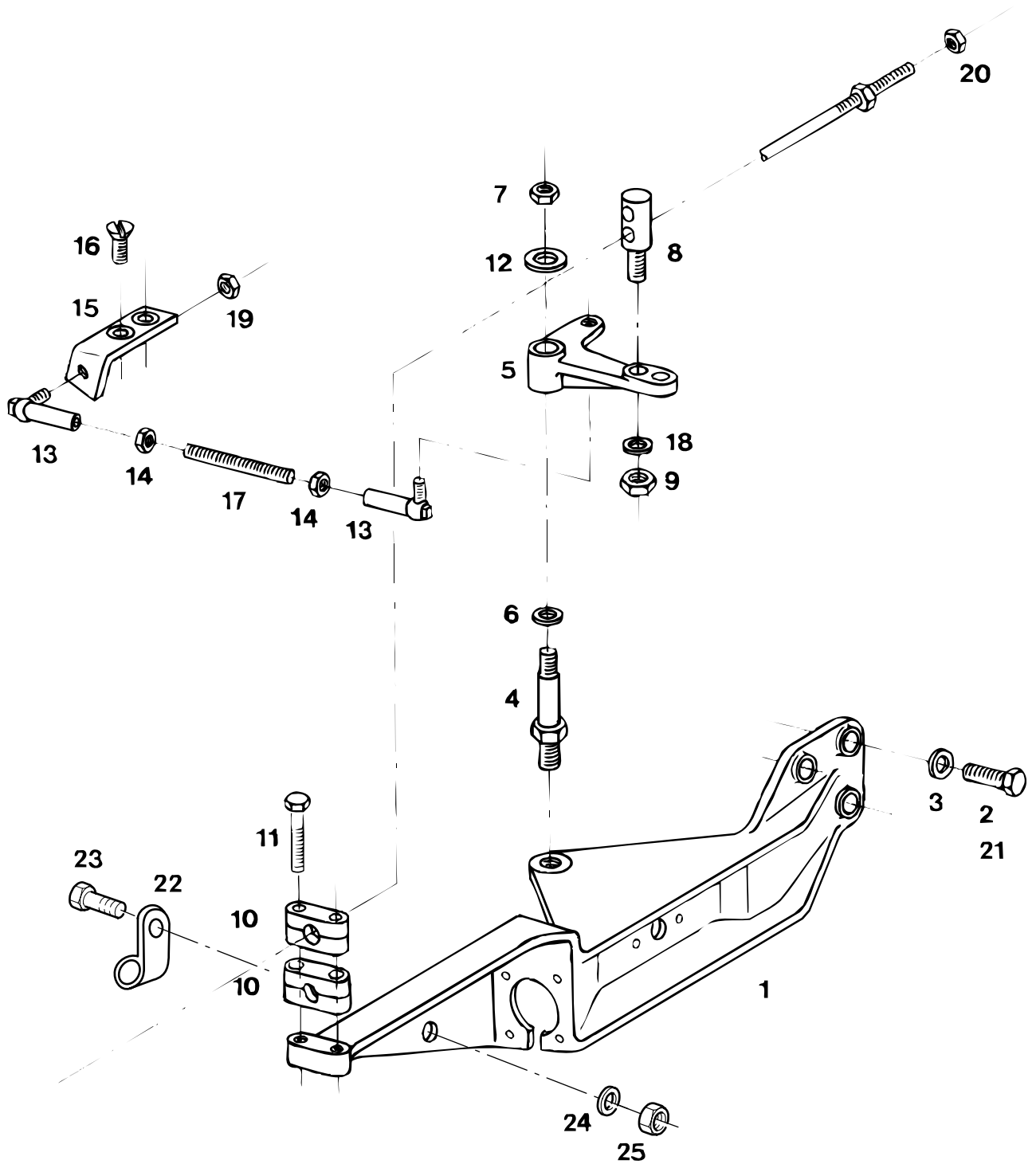
onderdelencatalogus parts catalogue



groep/ group	blz./ page	type	omschrijving/description	datum/date
4	3	DT43 - DTA43 DT64 - DTA64	Gasbedieningssteun Throttle control bracket	15 04 02

pos.	qty	part	benaming	description
1	1	STM8180	Steun	Support
2	3	STM1610	Bout M8x25	Bolt M8x25
3	3	STM1019	Gegolfde veerring M8	Wave spring washer M8
4	1	STM8182	As	Spindle
5	1	STM8181	Hefboom	Lever
6	1	STM8210	Ring M12	Washer M12
7	1	STM6533	Zelfborgende moer M8	Nyloc nut M8
8	1	4 - 6395	Gaskabelnippel AB39	Throttle nipple AB39
9	1	STM8129	Zelfborgende moer M6	Nyloc nut M6
10	2	STM1703	Kabelklem	Cable clamp
11	2	STM1907	Bout M5x40	Bolt M5x40
12	1	STM3749	Ring M8	Washer M8
13	2	STM8299	Kogelgewricht M5	Ball joint M5
14	2	STM1705	Moer M5	Nut M5
15	1	STM8184	Lever	Lever
16	2	STM8183	Verzonken schroef M6x8	Screw M6x8
17	1	STM8178	Draadstuk M5x50	Stud M5x50
18	1	STM1807	Ring M6	Washer M6
19	1	STM6159	Zelfborgende moer M5	Nyloc nut M5
20	1	STM6568	Moer 10-32UNF	Nut 10-32UNF
21	3	STM6561	Bout M8x50	Bolt M8x50
22	1	STM3066	Klem -> 01.01.02	Clamp -> 01.01.02
23	1	STM3355	Bout M8x20 -> 01.01.02	Bolt M8x20 -> 01.01.02
24	1	STM3749	Veerring M8 -> 01.01.02	Spring washer M8 -> 01.01.02
25	1	STM2005	Moer M8 -> 01.01.02	Nut M8 -> 01.01.02

groep/ group	blz./ page	type	omschrijving/description	datum/date
4	3	DT43 - DTA43 DT64 - DTA64	Gasbedieningssteun Throttle control bracket	15 04 02



onderdelencatalogus parts catalogue



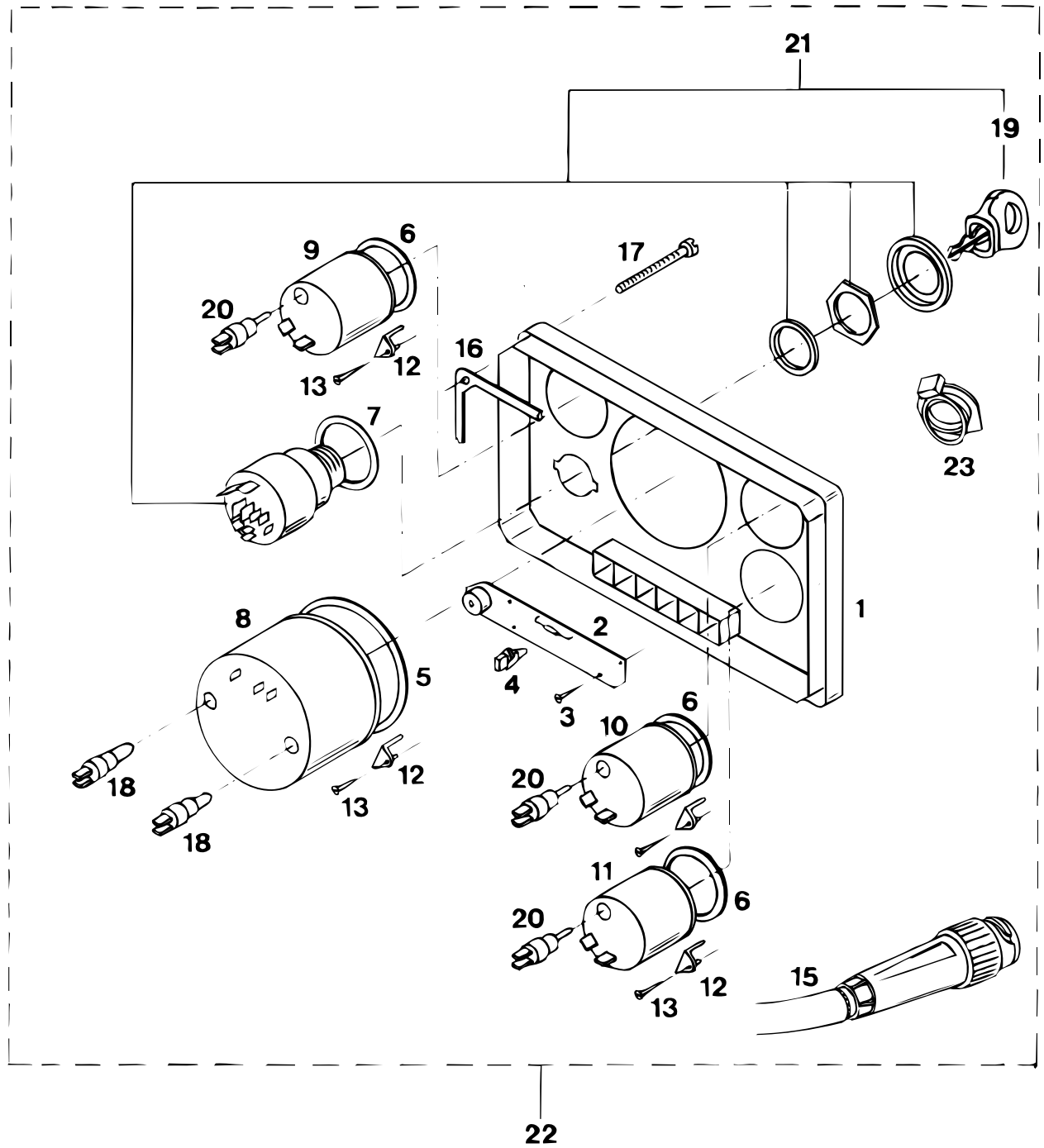
groep/ group	blz./ page	type	omschrijving/description	datum/date
4	4	DT43 - DTA43 DT64 - DTA64	Instrumenten paneel 12 V (type MPR3412) Instrument panel 12 V (model MPR3412)	19 06 95

pos.	qty	part	benaming	description
1	1	STM6571	Paneel incl. frontfolie	Panel incl. overlay
2	1	STM9168	Print cpl.	Print cpl.
3	4	P2295RKP	Plaatschroef	Screw
4	6	STM9169	Gloeilamp 12V.	Bulb 12V.
5	1	STM9170	Pakking	Gasket
6	3	STM9171	Pakking	Gasket
7	1	STM9172	Pakking	Gasket
8	1	STM8217	Toeren/Urenteller	Tachometer/hour meter
9	1	STM9177	Voltmeter 12V.	Voltmeter 12V.
10	1	STM9178	Temperatuurmeter	Temperature gauge
11	1	STM9179	Oliedrukmeter	Oil pressure gauge
12	12	PA6488	Beugel	Support
13	12	P35164RKP	Plaatschroef	Screw
15	1	STM6543	Paneelbedrading MPR34	Panel wiring MPR34
16	1	STM9181	Pakking	Gasket
17	4	P35254ZKP	Plaatschroef	Screw
18	2	CT40131	Gloeilamp 12V.	Bulb 12V.
19	1	STM9214	Sleutel	Key
20	3	CT40133	Gloeilamp 12V.	Bulb 12V.
21	1	STM9215	Contactslot + sleutel	Key-switch + key
22	1	STM8218	Instr. panel cpl. 12V.	Instr. panel compl. 12V.
23	1	STM9188	Contactslot deksel	Key-switch cover

onderdelencatalogus parts catalogue



groep/ group	blz./ page	type	omschrijving/description	datum/date
4	4	DT43 - DTA43 DT64 - DTA64	Instrumenten paneel 12 V (type MPR3412) Instrument panel 12 V (model MPR3412)	19 06 95



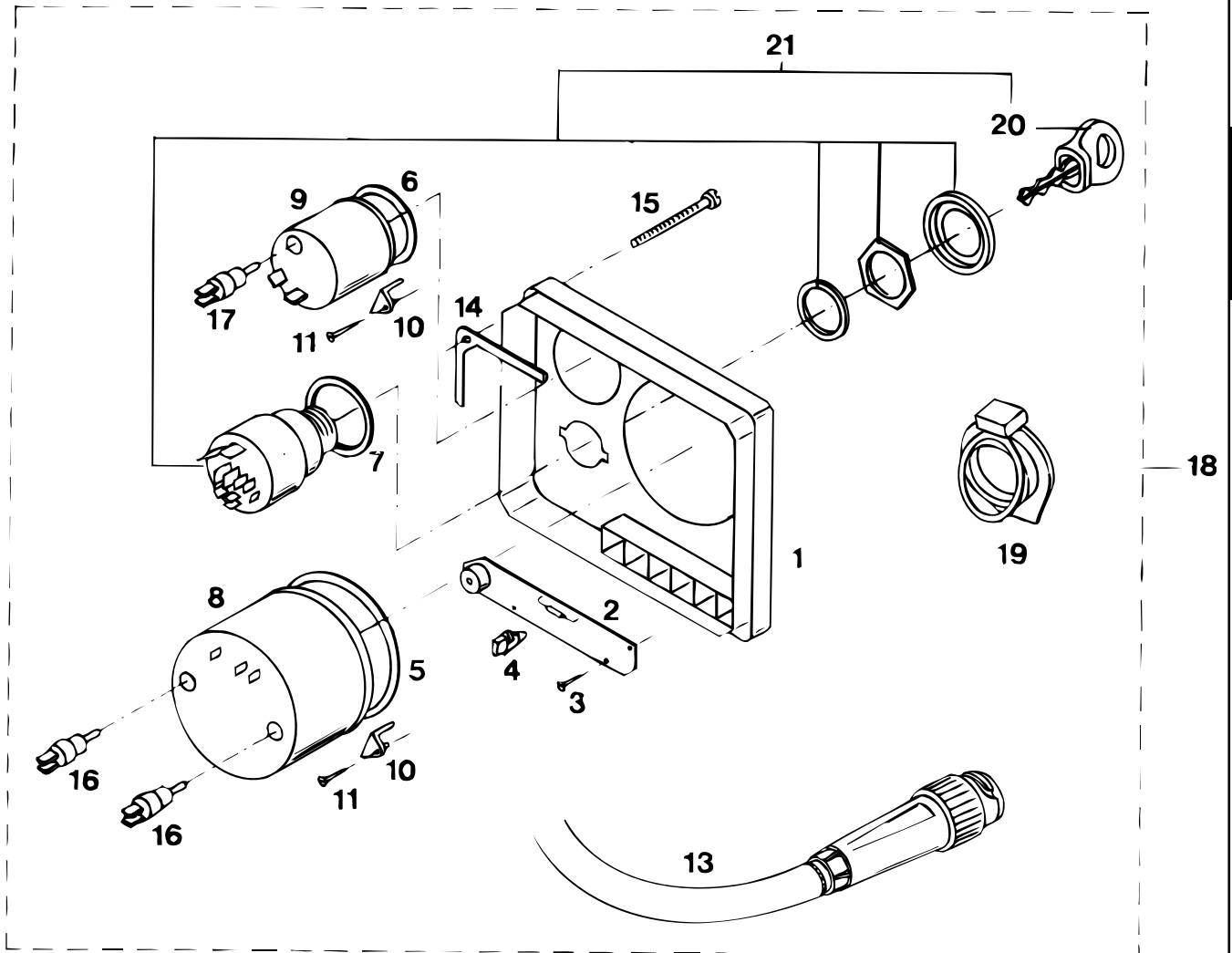
onderdelencatalogus parts catalogue



groep/ group	blz./ page	type	omschrijving/description	datum/date
4	5	DT43 - DTA43 DT64 - DTA64	Instrumenten paneel 12 V (type MPR2212) Instrument panel 12 V (model MPR2212)	19 06 95

pos.	qty	part	benaming	description
1	1	STM9186	Paneel+frontfolie	Panel incl.overlay
2	1	STM9168	Print cpl.	Print cpl.
3	4	P2295RKP	Plaatschroef	Screw
4	6	STM9169	Gloeilamp 12V.	Bulb 12V.
5	1	STM9170	Pakking	Gasket
6	1	STM9171	Pakking	Gasket
7	1	STM9172	Pakking	Gasket
8	1	STM8217	Toeren/urenteller	Tachometer/hour counter
9	1	STM9177	Voltmeter 12V.	Voltmeter 12V.
10	6	PA6488	Beugel	Support
11	6	P35164RKP	Plaatschroef	Screw
13	1	STM6204	Kabelboom	Wiring
14	1	STM9180	Pakking	Gasket
15	4	P352542KP	Plaatschroef	Screw
16	2	CT40131	Gloeilamp 12V.	Bulb 12V.
17	1	CT40133	Gloeilamp 12V.	Bulb 12V.
18	1	STM8219	Instr.paneel cpl. 12V.	Instr.panel cpl. 12V.
19	1	STM9188	Contactslotdeksel	Key-switch cover
20	1	STM9214	Sleutel	Key
21	1	STM9215	Slot + sleutel	Lock + Key

groep/ group	blz./ page	type	omschrijving/description	datum/date
4	5	DT43 - DTA43 DT64 - DTA64	Instrumenten paneel 12 V (type MPR2212) Instrument panel 12 V (model MPR2212)	19 06 95



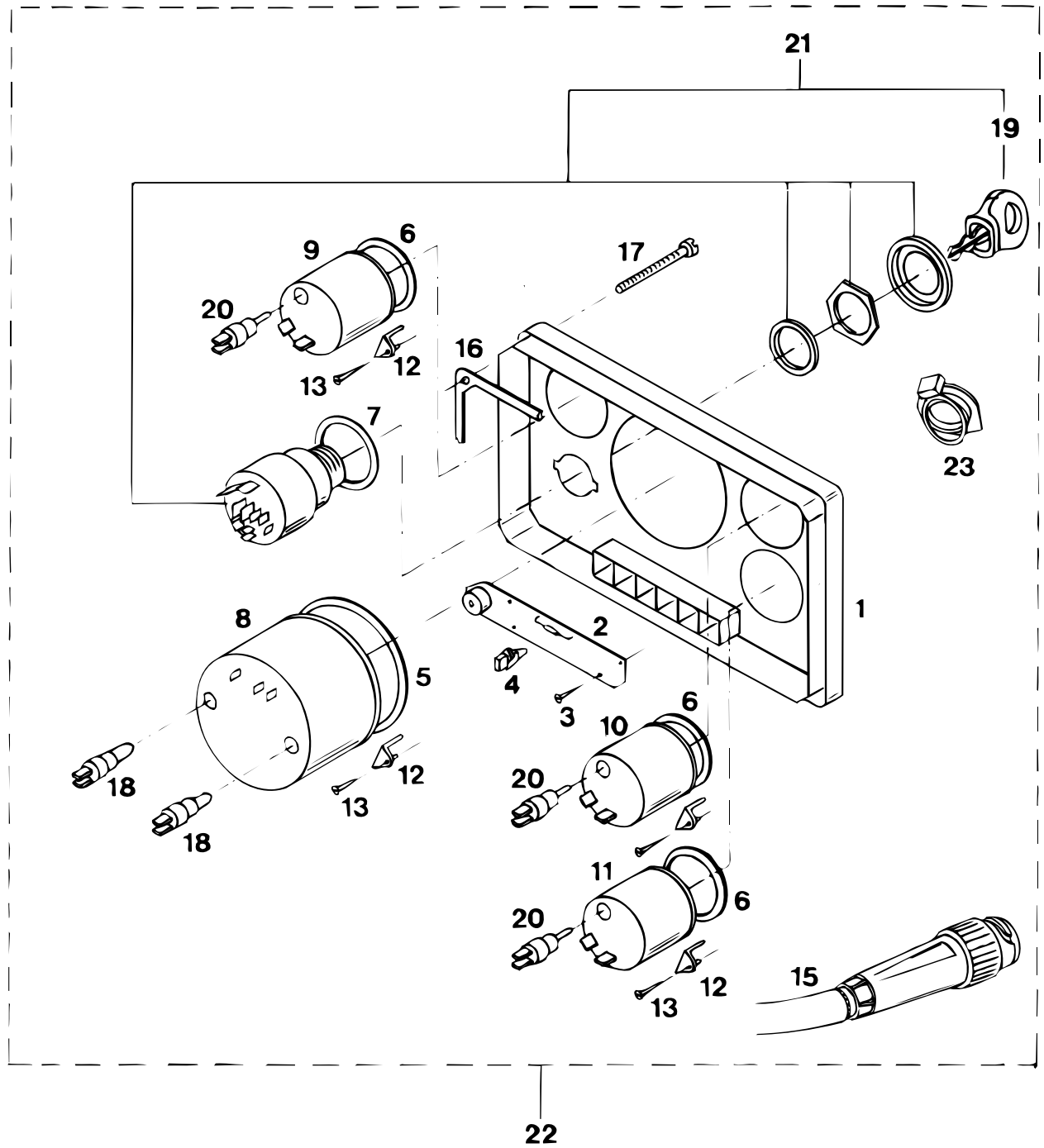
onderdelencatalogus parts catalogue



groep/ group	blz./ page	type	omschrijving/description	datum/date
4	6	DT43 - DTA43 DT64 - DTA64	Instrumenten paneel 24 V (type MPR3424) Instrument panel 24 V (model MPR3424)	01 12 97

pos.	qty	part	benaming	description
1	1	STM6571	Paneel incl. frontfolie	Panel incl. overlay
2	1	STM9168	Print cpl.	Print cpl.
3	4	P2295RKP	Plaatschroef	Screw
4	6	STM9210	Gloeilamp 24V.	Bulb 24V.
5	1	STM9170	Pakking	Gasket
6	3	STM9171	Pakking	Gasket
7	1	STM9172	Pakking	Gasket
8	1	STM8217	Toeren/Urenteller	Tachometer/hour meter
9	1	STM8224	Voltmeter 24V.	Voltmeter 24V.
10	1	STM8735	Temperatuurmeter	Temperature gauge
11	1	STM8734	Oliedrukmeter	Oil pressure gauge
12	12	PA6488	Beugel	Support
13	12	P35164RKP	Plaatschroef	Screw
15	1	STM6543	Paneelbedrading MPR34	Panel wiring MPR34
16	1	STM9181	Pakking	Gasket
17	4	P35254ZKP	Plaatschroef	Screw
18	2	CT40132	Gloeilamp 24V.	Bulb 24V.
19	1	STM9214	Sleutel	Key
20	3	CT40134	Gloeilamp 24V.	Bulb 24V.
21	1	STM9215	Contactslot + sleutel	Key-switch + key
22	1	STM8296	Instr. panel cpl. 24V.	Instr. panel compl. 24V.
23	1	STM9188	Contactslot deksel	Key-switch cover

groep/ group	blz./ page	type	omschrijving/description	datum/date
4	6	DT43 - DTA43 DT64 - DTA64	Instrumenten paneel 24 V (type MPR3424) Instrument panel 24 V (model MPR3424)	19 06 95



onderdelencatalogus parts catalogue



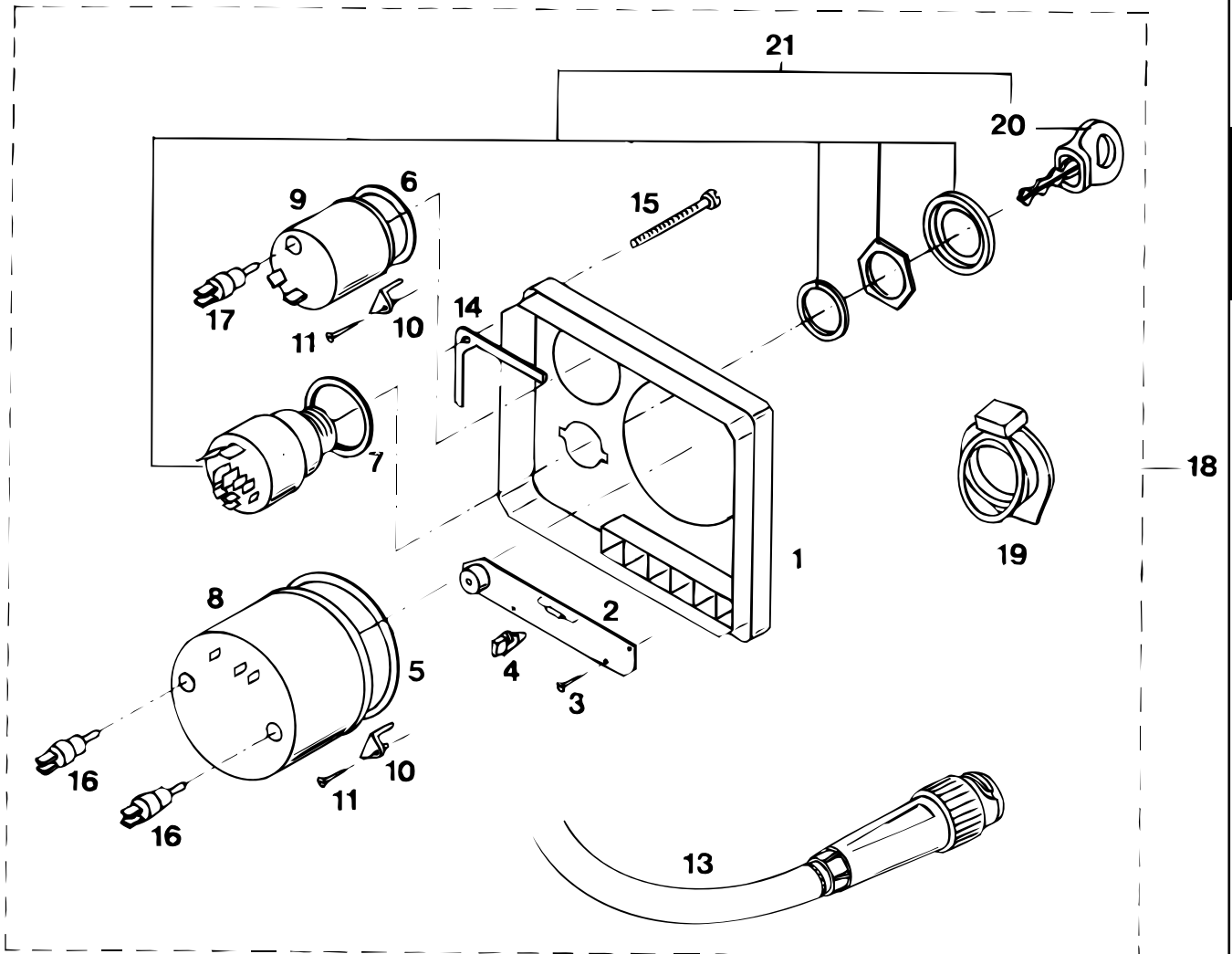
groep/ group	blz./ page	type	omschrijving/description	datum/date
4	7	DT43 - DTA43 DT64 - DTA64	Instrumenten paneel 24 V (type MPR2224) Instrument panel 24 V (model MPR2224)	23 04 96

pos.	qty	part	benaming	description
1	1	STM9186	Paneel incl. frontfolie	Panel incl. overlay
2	1	STM9168	Print cpl.	Print cpl.
3	4	P2295RKP	Plaatschroef	Screw
4	6	STM9210	Gloeilamp 24V.	Bulb 24V.
5	1	STM9170	Pakking	Gasket
6	1	STM9171	Pakking	Gasket
7	1	STM9172	Pakking	Gasket
8	1	STM8217	Toeren/Urenteller	Tachometer/hour meter
9	1	STM8224	Voltmeter 24V.	Voltmeter 24V.
10	6	PA6488	Beugel	Support
11	6	P35164RKP	Plaatschroef	Screw
13	1	STM6204	Kabelboom	Wiring
14	1	STM9180	Pakking	Gasket
15	4	P352542KP	Plaatschroef	Screw
16	2	CT40132	Gloeilamp 24V.	Bulb 24V.
17	1	CT40134	Gloeilamp 24V.	Bulb 24V.
18	1	STM8297	Instr.paneel cpl. 24V.	Instr.panel cpl. 24V.
19	1	STM9188	Contactslotdeksel	Key-switch cover
20	1	STM9214	Sleutel	Key
21	1	STM9215	Slot + sleutel	Lock + Key

onderdelencatalogus parts catalogue



groep/ group	blz./ page	type	omschrijving/description	datum/date
4	7	DT43 - DTA43 DT64 - DTA64	Instrumenten paneel 24 V (type MPR2224) Instrument panel 24 V (model MPR2224)	19 06 95



onderdelencatalogus parts catalogue



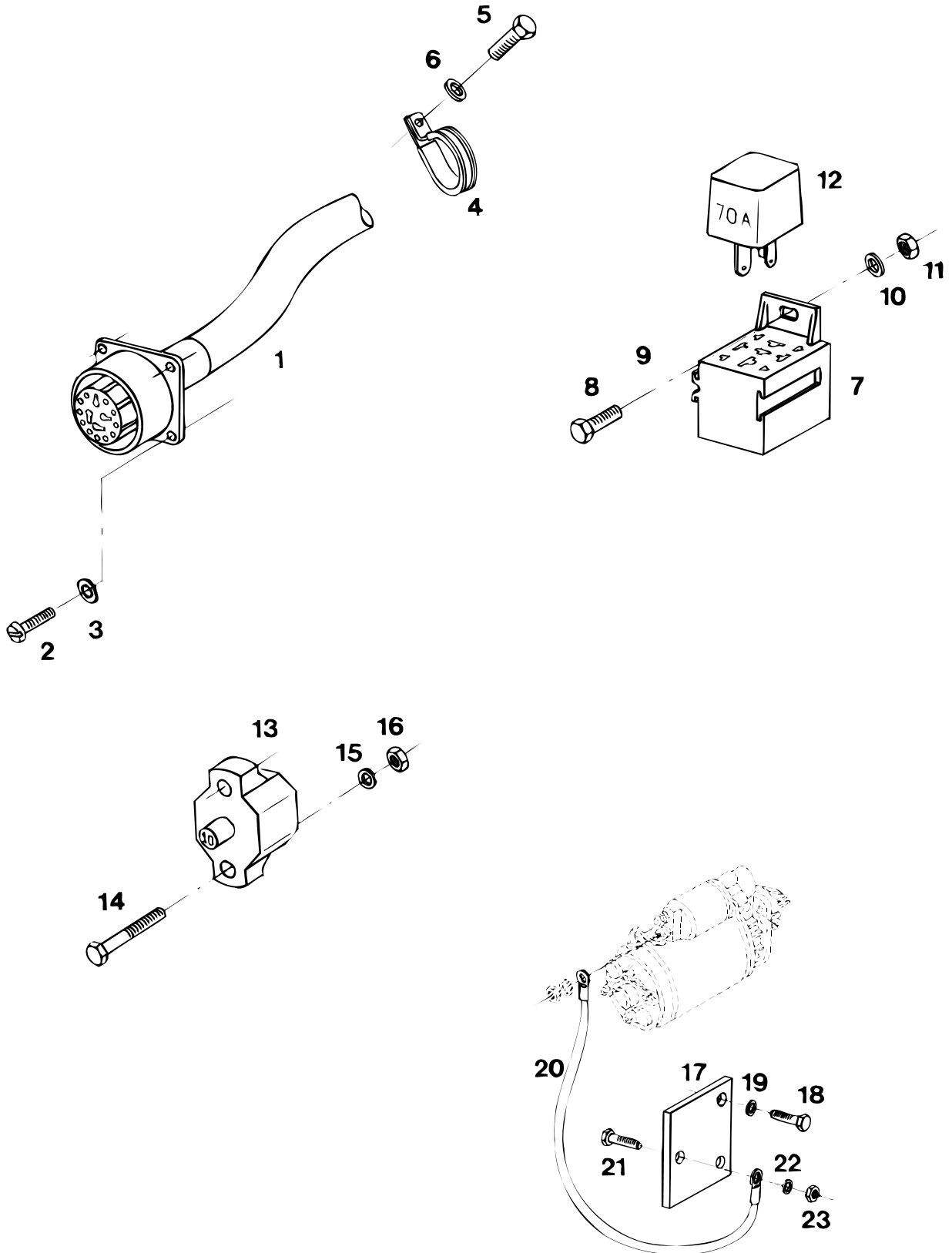
groep/ group	blz./ page	type	omschrijving/description	datum/date
4	8	DT43 - DTA43 DT64 - DTA64	Bedrading Wiring	07 05 97

pos.	qty	part	benaming	description
1	1	STM8220	Motorbedrading. enkelpolig DT43-DTA43	Engine wiring loom. single-pole DT43-DTA43
	1	STM8221	Motorbedrading. enkelpolig DT64-DTA64-DT67-DT(A)67	Engine wiring loom. single-pole DT64-DTA64-DT(A)67
	1	STM8222	Motorbedrading dubbelpolig DT(A)43-DT(A)64-DT(A)67	Engine wiring DT(A)43-DT(A)64-DT(A)67
2	4	STM8287	Cilinderschroef M3x10	Slotted head screw M3x10
3	4	STM6143	Veerring M3	Spring washer M3
4	1	STM6305	Klem DT43-DTA43-DTA64	Clamp DT43-DTA43-DTA64
	2	STM6305	Klem DT64	Clamp DT64
5	1	STM4055	Bout M8x15 DT43-DTA43-DTA64	Bolt M8x15 DT43-DTA43-DTA64
	2	STM4055	Bout M8x15 DT64	Bolt M8x15 DT64
6	1	STM1056	Veerring M8 DT43-DTA43-DTA64	Spring washer M8 DT43-DTA43-DTA64
	2	STM1056	Veerring M8 DT64	Spring washer M8 DT64
7	1	STM8228	Relaisvoet	Relay foot
8	1	CT40075	Bout M5x16	Bolt M5x16
9	1	STM7047	Ring M5	Washer M5
10	1	STM8177	Veerring M5	Spring washer M5
11	1	STM1705	Moer M5	Nut M5
12	1	STM9043	Relais 12V-70A	Relay 12V-70A
	1	STM8225	Relais 24V-40A	Relay 24V-40A
13	1	STM9054	Automatische zekering	Reset circuit breaker
14	2	STM1704	Bout M5x25	Bolt M5x25
15	2	STM8177	Veerring M5	Spring washer M5
16	2	STM1705	Moer M5	Nut M5
17	1	STM8298	Isolatie plaat	Insulation plate
18	2	STM7077	Bout M12x50	Bolt M12x50
19	2	STM4003	Veerring M12	Spring washer M12
20	1	STM8223	Min-kabel	Minus cable
21	1	CT40031	Bout M10x35	Bolt M10x35
22	1	CT40032	Ring M10	Washer M10
23	1	CT40033	Moer M10	Nut M10

onderdelencatalogus parts catalogue



groep/ group	blz./ page	type	omschrijving/description	datum/date
4	8	DT43 - DTA43 DT64 - DTA64	Bedrading Wiring	07 05 97



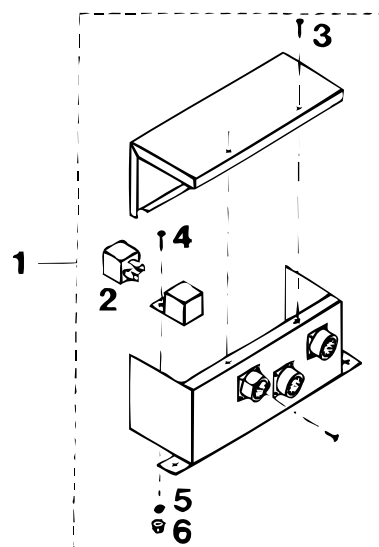
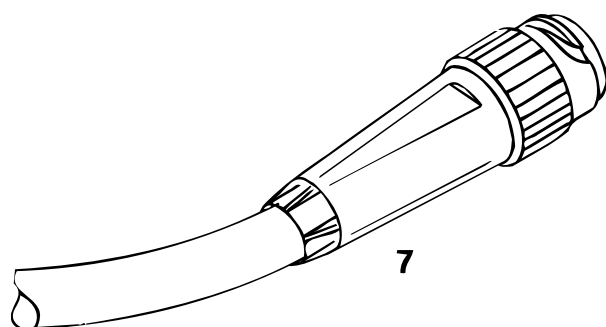
onderdelencatalogus parts catalogue



groep/ group	blz./ page	type	omschrijving/description	datum/date
4	9	DT43 - DTA43 DT64 - DTA64	Bedrading Wiring	07 05 97

pos.	qty	part	benaming	description
1	1	STM6548	T-stuk compleet 12V. optie	T-connector cpl. 12V. option
	1	STM8294	T-stuk compleet 24V. optie	T-connector cpl. 24V. option
2	1	STM9050	Relais 12V-30A.	Relay 12V-30A.
	1	STM8295	Relais 24V-20A.	Relay 24V-20A.
3	14	STM6549	Plaatschroef	Screw
4	1	STM6596	Bout M3x8	Bolt M3x8
5	1	STM6143	Veerring M3	Spring washer M3
6	1	STM6144	Moer M3	Nut M3
7	1	STM6222	Tussenkabel 2 mtr. optie	Intermediate cable 2 mtr. option
	1	STM6223	Tussenkabel 4 mtr. optie	Intermediate cable 4 mtr. option
	1	STM6224	Tussenkabel 6 mtr. std.	Intermediate cable 6 mtr. std.
	1	STM6225	Tussenkabel 12 mtr. optie	Intermediate cable 12 mtr. option

groep/ group	blz./ page	type	omschrijving/description	datum/date
4	9	DT43 - DTA43 DT64 - DTA64	Bedrading Wiring	19 06 97



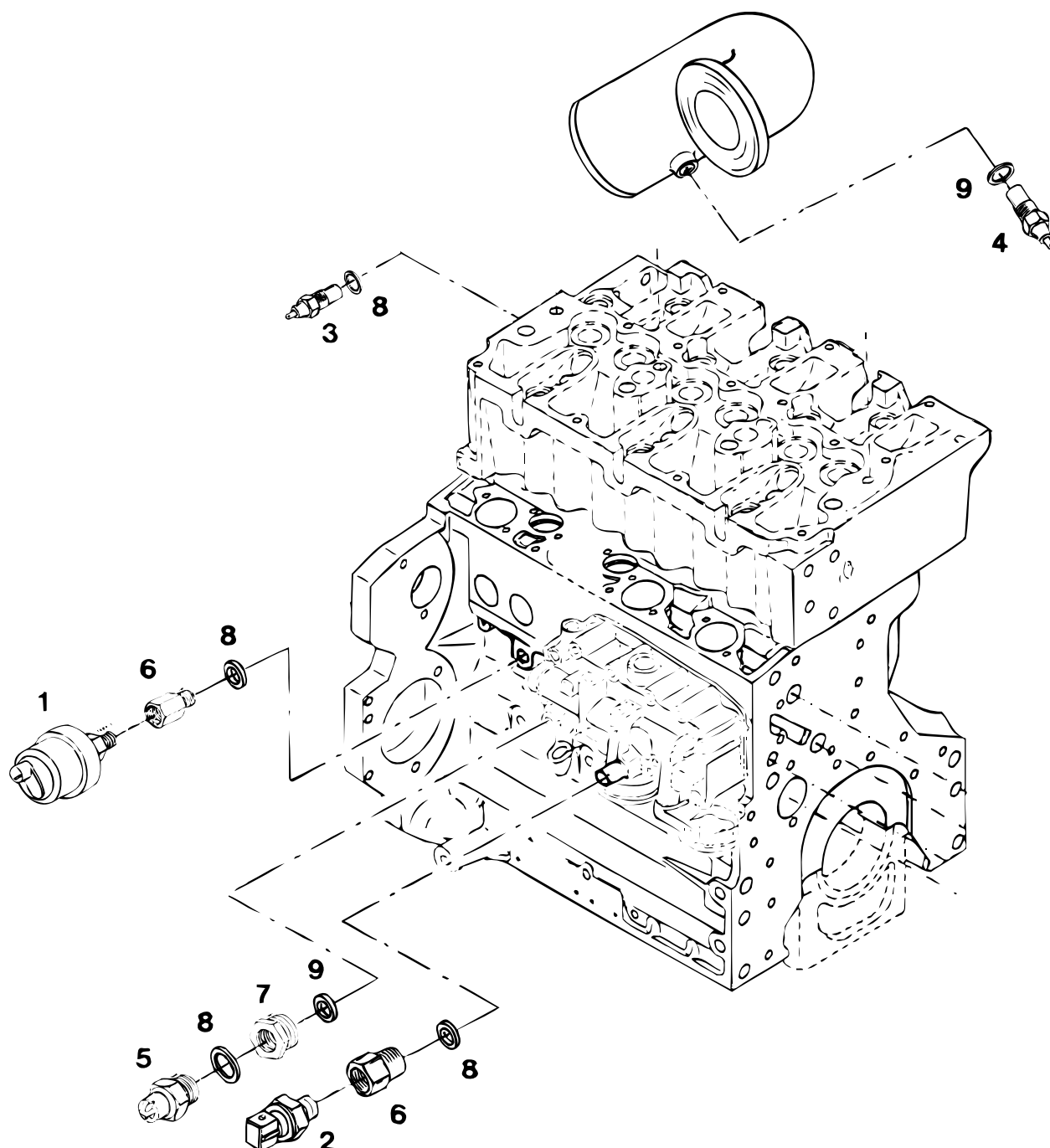
onderdelencatalogus parts catalogue



groep/ group	blz./ page	type	omschrijving/description	datum/date
4	10	DT43 - DTA43 DT64 - DTA64	Zenders + schakelaars enkelpolig Senders + switches single-pole	19 01 95

pos.	qty	part	benaming	description
1	1	CT40083	Oliedrukszender OILSR08 M10x1k 12-24V. 0-8bar	Oilpressure sender OILSR08 M10x1k 12-24V. 0-8bar
2	1	CT40084	Oliedrukschakelaar OPSO751 M10x1k 12-24V. 0,75bar	Oilpressure switch OPSO751 M10x1k 12-24V. 0,75bar
3	1	STM8322	Binnenwatertemp. schakelaar M14x1,5 12-24V. 105 °C	Coolant temperature switch M14x1.5 12-24V. 105 °C
4	1	STM2006	Buitenwatertemp. schakelaar M18x1,5 12-24V. 75 °C	Raw water temp.switch M18x1.5 12-24V. 75 °C
5	1	STM8326	Binnenw.temp.zender TEMPSR120 M14x1,5 12-24V. 40-120 °C	Coolant temp. sender TEMPSR120 M14x1.5 12-24V. 40-120 °C
6	2	STM8323	Verloopnippel AD10-14 M10x1k-M14x1,5	Adaptor AD10-14 M10x1k-M14x1.5
7	2	STM8324	Verloopnippel AD14-18 M14x1,5-M18x1,5	Adaptor AD14-18 M14x1.5-M18x1.5
8	4	STM1062	Afdichtring M14	Sealing washer M14
9	2	STM2019	Afdichtring M18	Sealing washer M18

groep/ group	blz./ page	type	omschrijving/description	datum/date
4	10	DT43 - DTA43 DT64 - DTA64	Zenders + schakelaars enkelpolig Senders + switches single-pole	19 06 95



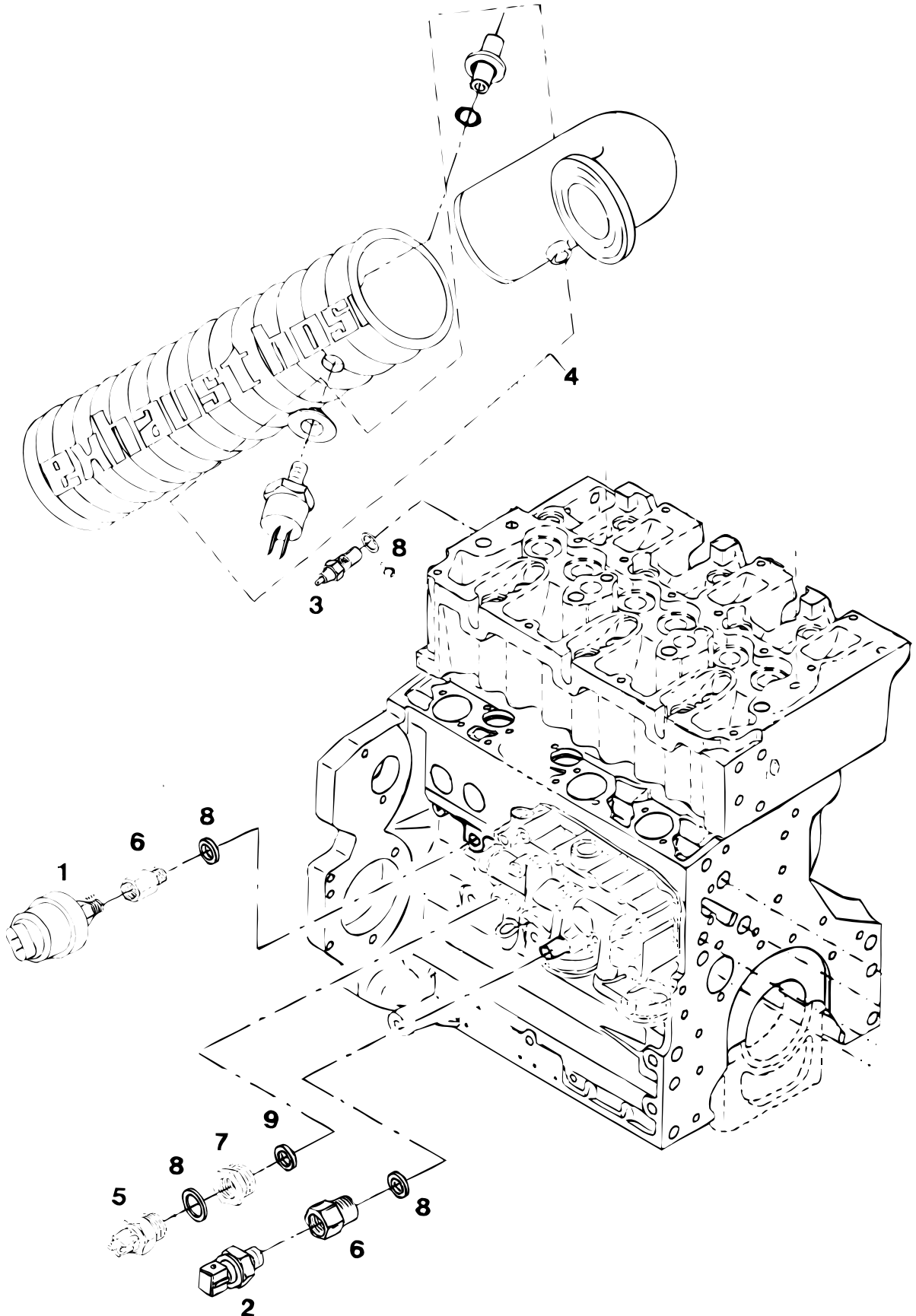
onderdelencatalogus parts catalogue



groep/ group	blz./ page	type	omschrijving/description	datum/date
4	11	DT43 - DTA43 DT64 - DTA64	Zenders + schakelaars dubbelpolig Senders + switches double-pole	07 05 97

pos.	qty	part	benaming	description
1	1	CT40115	Oliedrukszender OILSR082 M10x1k 12-24V. 0-8bar	Oilpressure sender OILSR082 M10x1k 12-24V. 0-8bar
2	1	CT40085	Oliedrukschakelaar OPSO752 M10x1k 12-24V. 0,75bar	Oilpressure switch OPSO752 M10x1k 12-24V. 0.75bar
3	1	STM8325	Binnenwatertemp. schakelaar M14x1,5 12-24V. 105 °C	Coolant temperature switch M14x1.5 12-24V. 105 °C
4	1	STM9196	Buitenwatertemp. schakelaar 12-24V. 71 °C	Raw water temp.switch 12-24V. 71 °C
5	1	STM8327	Binnenw.temp.zender TEMPSR122 M14x1,5 12-24V. 40-120 °C	Coolant temp. sender TEMPSR122 M14x1.5 12-24V. 40-120 °C
6	2	STM8323	Verloopnippel AD10-14 M10x1k-M14x1,5	Adaptor AD10-14 M10x1k-M14x1.5
7	2	STM8324	Verloopnippel AD14-18 M14x1,5-M18x1,5	Adaptor AD14-18 M14x1.5-M18x1.5
8	4	STM1062	Afdichtring M14	Sealing washer M14
9	2	STM2019	Afdichtring M18	Sealing washer M18

groep/ group	blz./ page	type	omschrijving/description	datum/date
4	11	DT43 - DTA43 DT64 - DTA64	Zenders + schakelaars dubbelpolig Senders + switches double-pole	07 05 97



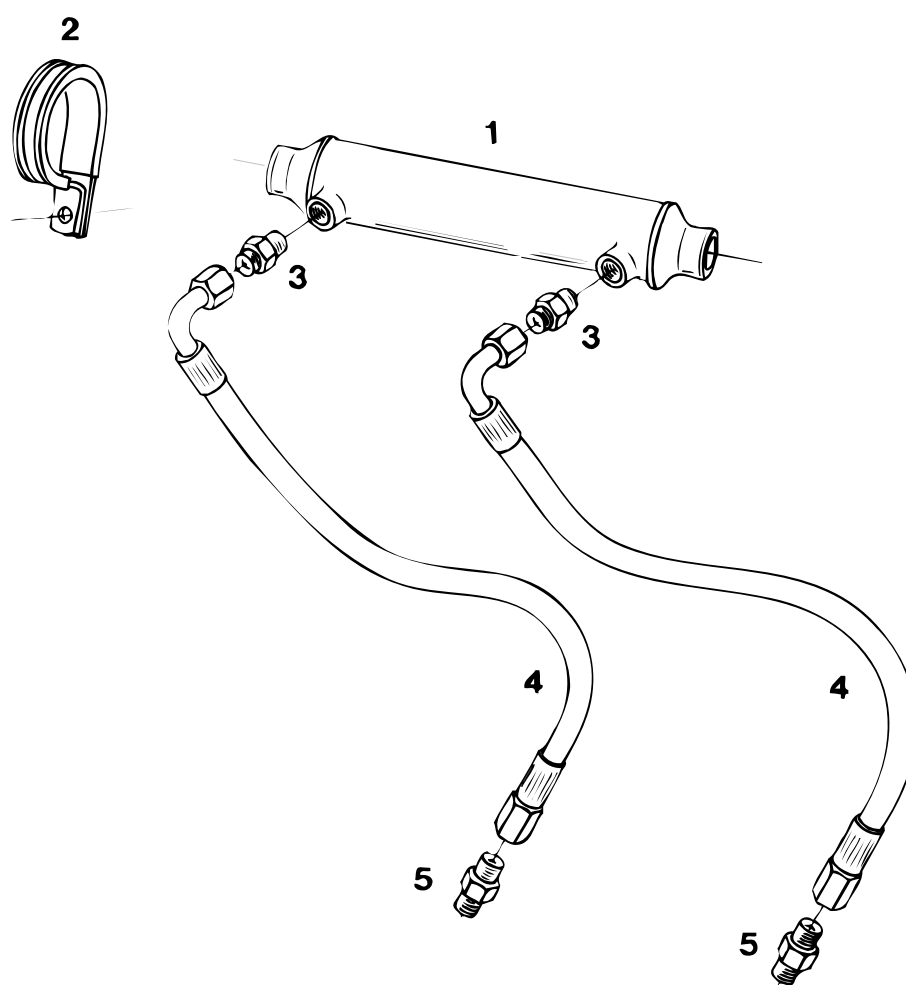
onderdelencatalogus parts catalogue



groep/ group	blz./ page	type	omschrijving/description	datum/date
5	1	DT43 - DTA43 DT64 - DTA64	Oliekoeler Oil cooler	19 06 95

pos.	qty	part	benaming	description	
1	1	STM3771	Oliekoeler 9" x ø55-G3/8 slangaansluiting ø33	Oilcooler 9" x ø55-G3/8 Connection for hose ø33	
2	2	STM8208	Klem ø55 RSGU1.55/25W1	Clamp ø55 RSGU1.55/25W1	
3	2	STM3491	Nippel G3/8 - M16	Nipple G3/8 - M16	
4	2	CT50079	Slang l=550	Hose l=550	
5	2	STM3491	Nippel M16 - G3/8	Hurth Borgwarner PRM	Nipple M16 - G3/8 Hurth Borgwarner PRM
	2	CT30112	Nippel M16 - G1/2	Hurth 800 MPM Twin-disc	Nipple M16 - G1/2 Hurth 800 MPM Twin-disc

groep/ group	blz./ page	type	omschrijving/description	datum/date
5	1	DT43 - DTA43 DT64 - DTA64	Oliekoeler Oil cooler	07 05 97



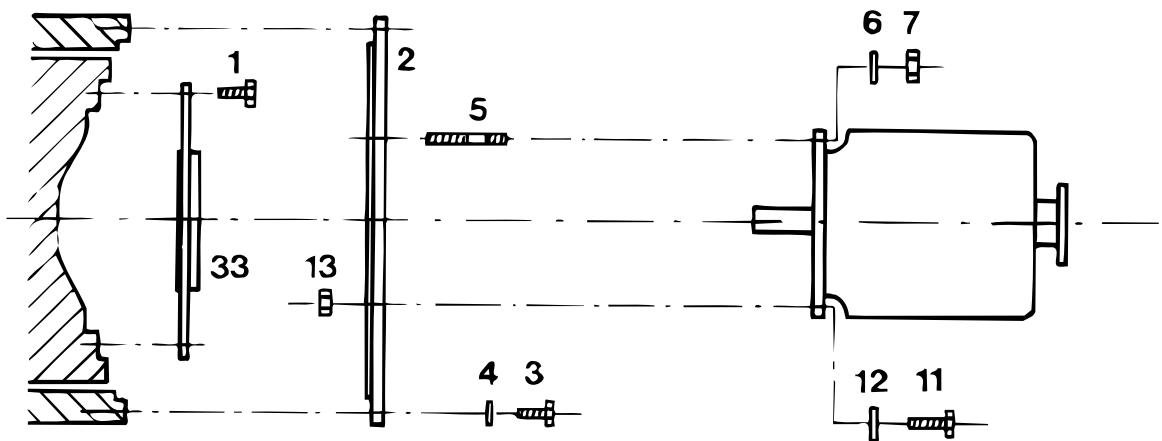
onderdelencatalogus parts catalogue



groep/ group 5	blz./ page 2	type	omschrijving/description Montagedelen keerkoppeling Mounting parts gearbox	datum/date 11 11 02
----------------------	--------------------	------	--	------------------------

pos.	qty	part	benaming	description
HSW450 AII				
1	8	STM9003	Tapbout M10x25	Bolt M10x25
2	1	CT50021	Adapterplaat	Adaptorplate
3	10	STM9003	Tapbout M10x25	Bolt M10x25
4	10	STM4014	Veerring M10	Spring washer M10
5	6	CT50002	Tapeind M12x30	Stud M12x30
6	6	STM4003	Gegolfde veerring M12	Wave spring washer M12
7	6	STM7031	Moer M12	Nut M12
33	1	STM8272	Demperplaat	Damperplate
HSW450 H2				
1	8	STM9003	Tapbout M10x25	Bolt M10x25
2	1	STM8713	Adapterplaat	Adaptorplate
3	10	STM9003	Tapbout M10x25	Bolt M10x25
4	10	STM4014	Veerring M10	Spring washer M10
5	6	CT50002	Tapeind M12x30	Stud M12x30
6	6	STM4003	Gegolfde veerring M12	Wave spring washer M12
7	6	STM7031	Moer M12	Nut M12
33	1	STM8272	Demperplaat	Damperplate
HSW630				
1	8	STM9003	Tapbout M10x25	Bolt M10x25
2	1	CT50021	Adapterplaat	Adaptorplate
3	10	STM9003	Tapbout M10x25	Bolt M10x25
4	10	STM4014	Veerring M10	Spring washer M10
5	6	CT50002	Tapeind M12x30	Stud M12x30
6	6	STM4003	Gegolfde veerring M12	Wave spring washer M12
7	6	STM7031	Moer M12	Nut M12
33	1	STM8272	Demperplaat	Damperplate

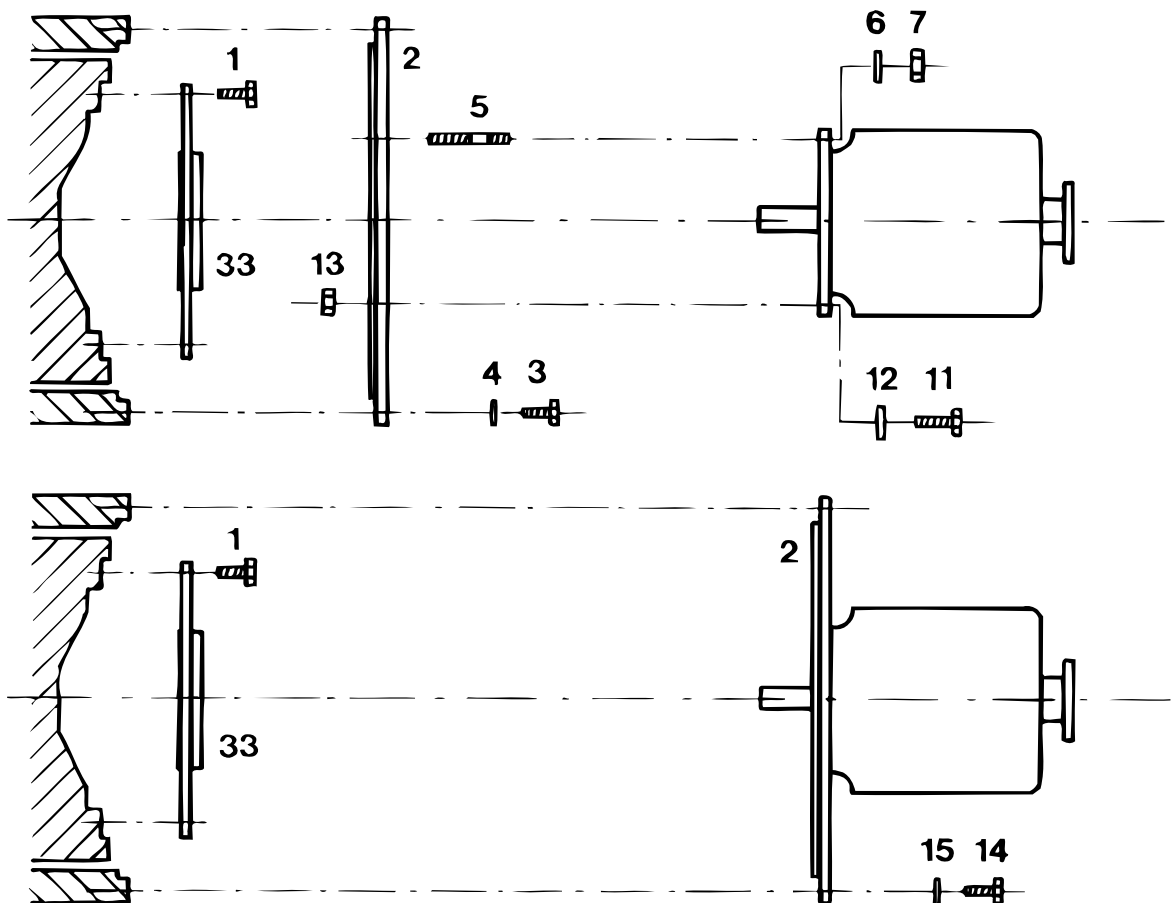
groep/ group	blz./ page	type	omschrijving/description	datum/date
5	2		Montagedelen keerkoppeling Mounting parts gearbox	21 09 97



groep/ group	blz./ page	type	omschrijving/description	datum/date
5	3		Montagedelen keerkoppeling Mounting parts gearbox	11 11 02

pos.	qty	part	benaming	description
PRM302 (500) drop center and down angle				
1	8	STM8216	Inbusbout M10x16	Allen screw M10x16
2	1	CT50026	Adapterplaat	Adaptorplate
3	10	STM9003	Bout M10x25	Bolt M10x25
4	10	STM4014	Veerring M10	Spring washer M10
11	5	STM7077	Bout M12x30	Bolt M12x30
12	5	STM4056	Gegolfde veerring M12	Wave spring washer M12
33	1	CT50027	Demperplaat R&D	Damperplate R&D
	1	STM8777	Demperplaat centa	Damperplate centa
PRM402 (750) in line				
1	8	STM8216	Inbusbout M10x16	Allen screw M10x16
2	1	CT50026	Adapterplaat	Adaptorplate
3	10	STM9003	Bout M10x25	Bolt M10x25
4	10	STM4014	Veerring M10	Spring washer M10
11	5	STM7077	Bout M12x30	Bolt M12x30
12	5	STM4056	Gegolfde veerring M12	Wave spring washer M12
33	1	CT50027	Demperplaat R&D	Damperplate R&D
	1	STM8777	Demperplaat centa	Damperplate centa
	1	STM8778	Demperplaat Vulkan	Damperplate Vulkan
PRM402 (750) drop center and down angle				
1	8	STM8216	Inbusbout M10x16	Allen screw M10x16
2	1	CT50026	Adapterplaat	Adaptorplate
3	10	STM9003	Bout M10x25	Bolt M10x25
4	10	STM4014	Veerring M10	Spring washer M10
11	5	STM7077	Bout M12x30	Bolt M12x30
12	5	STM4056	Gegolfde veerring M12	Wave spring washer M12
33	1	CT50027	Demperplaat R&D	Damperplate R&D
	1	STM8777	Demperplaat centa	Damperplate centa
PRM1000D				
1	8	STM8216	Inbusbout M10x16	Allen screw M10x16
2	1	CT50036	Adapterplaat	Adaptorplate
3	10	STM9003	Bout M10x25	Bolt M10x25
4	10	STM4014	Veerring M10	Spring washer M10
11	5	STM7077	Bout M12x30	Bolt M12x30
12	5	STM4003	Gegolfde veerring M12	Wave spring washer M12
33	1	CT50035	Demperplaat	Damperplate
	1	STM8778	Demperplaat Vulkan	Damperplate Vulkan
HSW800				
1	8	STM9003	Tapbout M10x25	Bolt M10x25
14	10	STM9003	Tapbout M10x25	Bolt M10x25
15	10	STM4014	Veerring M10	Spring washer M10
33	1	STM8278	Demperplaat	Damperplate
	1	STM8778	Demperplaat Vulkan	Damperplate Vulkan
BW71-72				
1	8	STM8216	Inbusbout M10x16	Allen screw M10x16
2	1	CT50021	Adapterplaat	Adaptorplate
3	10	STM9003	Bout M10x25	Bolt M10x25
4	10	STM4014	Veerring M10	Spring washer M10
11	6	STM1612	Bout M10x100	Bolt M10x100
12	6	STM4014	Veerring M10	Spring washer M10
13	6	STM4018	Moer M10	Nut M10
33	1	STM8273	Demperplaat	Damperplate
BW7000				
1	8	STM8216	Inbusbout M10x16	Allen screw M10x16
2	1	CT50037	Adapterplaat	Adaptorplate
3	10	STM9003	Bout M10x25	Bolt M10x25
4	10	STM4014	Veerring M10	Spring washer M10
11	6	STM1612	Bout M10x100	Bolt M10x100
12	6	STM4014	Veerring M10	Spring washer M10
13	6	STM4018	Moer M10	Nut M10
33	1	CT50038	Demperplaat	Damperplate

groep/ group	blz./ page	type	omschrijving/description	datum/date
5	3		Montagedelen keerkoppeling Mounting parts gearbox	21 09 97



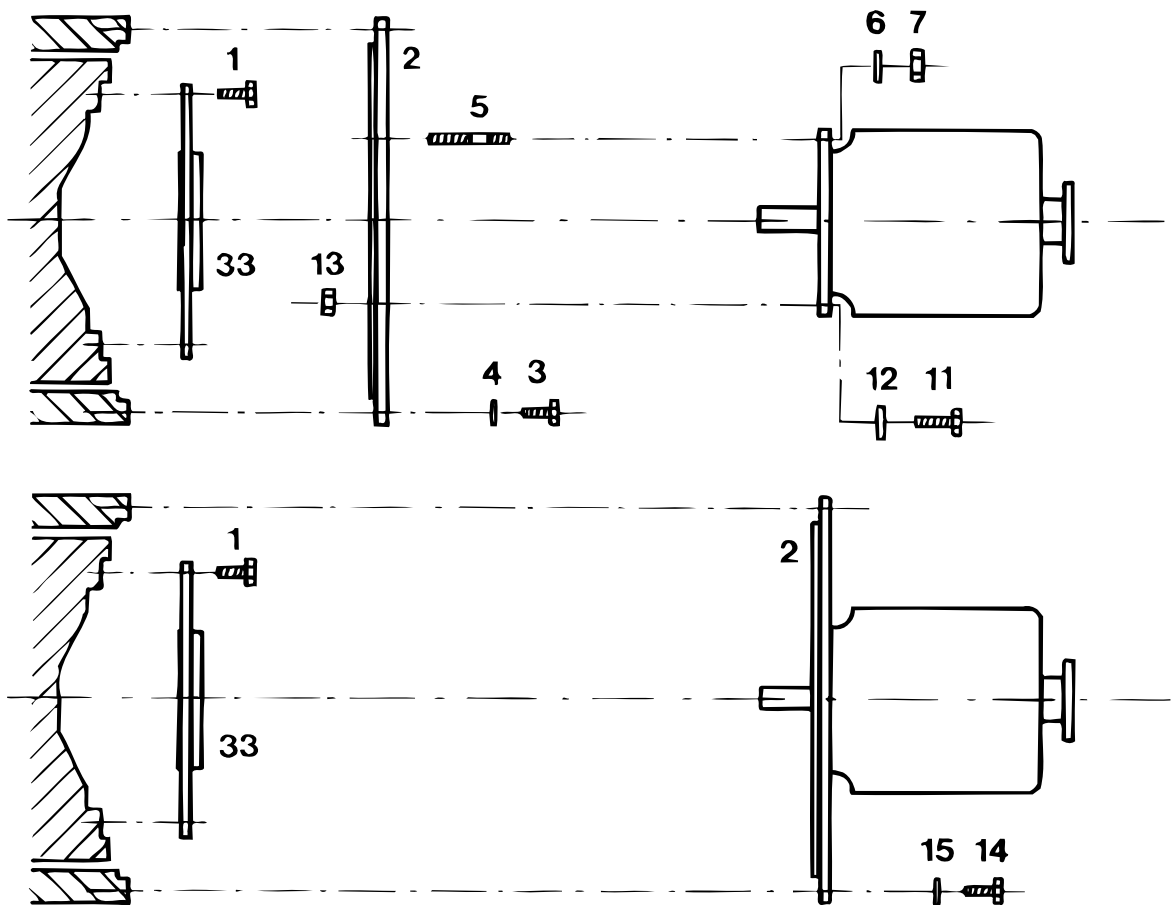
onderdelencatalogus parts catalogue



groep/ group	blz./ page	type	omschrijving/description	datum/date
5	4		Montagedelen keerkoppeling Mounting parts gearbox	19 06 95

pos.	qty	part	benaming	description
MG502				
1	8	STM8216	Inbusbout M10x16	Allen screw M10x16
2	1	CT50028	Adapterplaat	Adaptorplate
3	10	STM9003	Bout M10x25	Bolt M10x25
4	10	STM4014	Veerring M10	Spring washer M10
11	8	CT50078	Bout 7/16"UNCx11/2"	Bolt 7/16"UNCx11/2"
12	8	STM4056	Gegolfde veerring M12	Wave spring washer M12
33	1	STM8272	Demperplaat	Damperplate
MG506				
1	8	STM8216	Inbusbout M10x16	Allen screw M10x16
14	10	STM4016	Bout M10x20	Bolt M10x20
15	10	STM4014	Veerring M10	Spring washer M10
33	1	STM8272	Demperplaat	Damperplate
MG507				
1	8	STM8216	Inbusbout M10x16	Allen screw M10x16
14	10	STM4016	Bout M10x20	Bolt M10x20
15	10	STM4014	Veerring M10	Spring washer M10
33	1	CT50047	Demperplaat	Damperplate
IRM				
1	8	STM8216	Inbusbout M10x16	Allen screw M10x16
2	1	CT50031	Adapterplaat	Adapterplate
14	10	STM9003	Bout M10x25	Bolt M10x25
15	10	STM4014	Veerring M10	Spring washer M10
33	1	STM8272	Demperplaat	Damperplate

groep/ group	blz./ page	type	omschrijving/description	datum/date
5	4		Montagedelen keerkoppeling Mounting parts gearbox	21 09 97



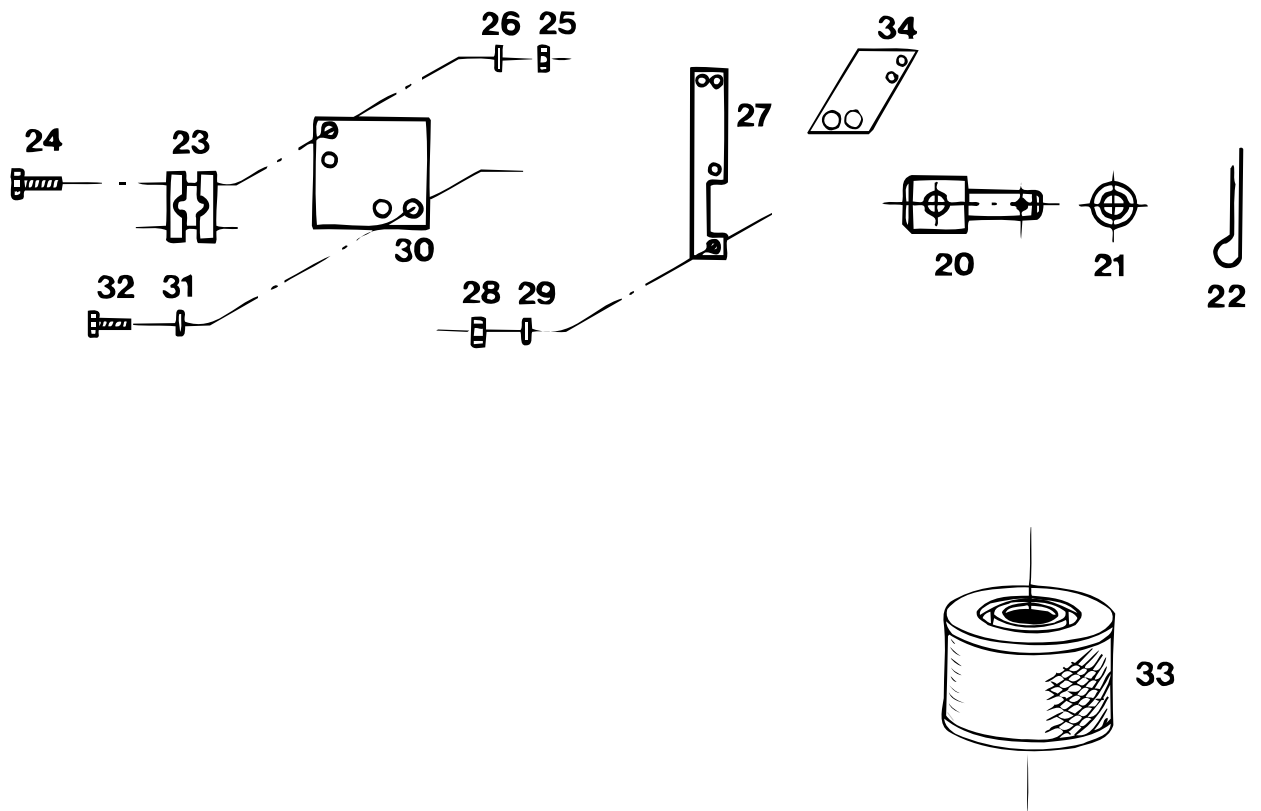
onderdelencatalogus parts catalogue



groep/ group 5	blz./ page 5	type	omschrijving/description Bediening keerkoppeling Controls gearbox	datum/date 07 05 97
----------------------	--------------------	------	---	------------------------

pos.	qty	part	benaming	description	
20	1	STM1806	Kabelnippel	Cable nipple	
21	1	STM1807	Ring M6	Washer M6	
22	1	STM1808	Splitpen	Split pin	
23	1	STM1703	Kabelklem	Cable clamp	
24	2	STM1704	Bout M5x25	Bolt M5x25	
25	2	STM1705	Moer M5	Nut M5	
26	2	STM1707	Veerring M5	Spring washer M5	
27	1	STM1851	Steun trek-drukkabel	Support	HBW250
28	2	STM2005	Moer M8	Nut M8	
29	2	STM1056	Veerring M8	Spring washer M8	
30	1	STM8286	Steun trek-drukkabel	Support	HSW450AII-630
31	2	STM1056	Veerring M8	Spring washer M8	
32	2	STM3355	Bout M8x20	Bolt M8x20	
34	1	STM8714	Steun trek-drukkabel	Support	HSW450HII
31	2	STM1056	Veerring M8	Spring washer M8	
32	2	STM3355	Bout M8x20	Bolt M8x20	
30	1	CT40078	Steun trek-drukkabel	Support	HSW800
31	2	STM1056	Veerring M8	Spring washer M8	
32	2	STM3355	Bout M8x20	Bolt M8x20	
30	1	CT40095	Steun trek-drukkabel	Support	BW71-72
31	2	STM1056	Veerring M8	Spring washer M8	
32	2	STM3355	Bout M8x20	Bolt M8x20	
30	1	CT40057	Steun trek-drukkabel	Support	PRM260D
31	2	STM1056	Veerring M8	Spring washer M8	
32	2	STM3355	Bout M8x20	Bolt M8x20	
30	1	CT40058	Steun trek-drukkabel	Support	PRM500D-750D-1000D
31	2	STM1056	Veerring M8	Spring washer M8	
32	2	STM3355	Bout M8x20	Bolt M8x20	
30	1	CT40059	Steun trek-drukkabel	Support	MG502-506-507
31	2	STM1056	Veerring M8	Spring washer M8	
32	2	STM3355	Bout M8x20	Bolt M8x20	
30	1	CT40102	Steun trek-drukkabel	Support	BW7000
31	2	STM1056	Veerring M8	Spring washer M8	
32	2	STM3355	Bout M8x20	Bolt M8x20	
30	1	CT40096	Steun trek-drukkabel	Support	IRM220
31	2	STM1056	Veerring M8	Spring washer M8	
32	2	STM3355	Bout M8x20	Bolt M8x20	
30	1	CT40159	Steun DS-unit	Support DS-unit	IRM220
31	2	STM1056	Veerring M8	Spring washer M8	
32	2	STM3355	Bout M8x20	Bolt M8x20	
33	1	CT50081	Oliefilter HSW 450/630/800	Oilfilter HSW 450/630/800	

groep/ group	blz./ page	type	omschrijving/description	datum/date
5	5		Bediening keerkoppeling Controls gearbox	07 05 97



onderdelencatalogus parts catalogue



groep/ group 5	blz./ page 6	type	omschrijving/description Overzicht keerkoppelingen Index reverse gearboxes	datum/date 07 05 97
----------------------	--------------------	------	--	------------------------

pos.	qty	part	benaming	description
		HURTH		Forward/Reverse
		STM5251	HBW 250-1.5	1.54/2.10:1
		STM5252	HBW 250-2	1.88/2.10:1
		STM5253	HBW 250-3	2.74/2.72:1
		CT50450	HSW450All	1.26/1.26:1
		CT50451	HSW450All	1.51/1.51:1
		CT50452	HSW450All	2.03/2.03:1
		CT50455	HSW450All	2.43/2.43:1
		CT40425	HSW450H2	2,51/2.51:1
		CT40423	HSW450H2	3,03/3.03:1
		CT40424	HSW450H2	3,74/3.74:1
		CT50620	HSW630	1.22/1.25:1
		CT50621	HSW630	1.58/1.58:1
		CT50622	HSW630	2.04/2.05:1
		CT50623	HSW630	3.05/3.11:1
		CT50630	HSW630A	1.22/1.21:1
		CT50631	HSW630A	1.56/1.58:1
		CT50632	HSW630A	2.04/2.10:1
		CT50633	HSW630A	2.52/2.53:1
		CT50801	HSW800A	1.57/1.56:1
		CT50802	HSW800A	1.96/1.95:1
		CT50805	HSW800A	2.50/2.46:1
		CT50803	HSW800A	2.85/2.80:1

onderdelencatalogus
parts catalogue



groep/ group	blz./ page	type	omschrijving/description	datum/date
5	6		Overzicht keerkoppelingen Index reverse gearboxes	07 05 97

--	--	--	--	--

onderdelencatalogus parts catalogue



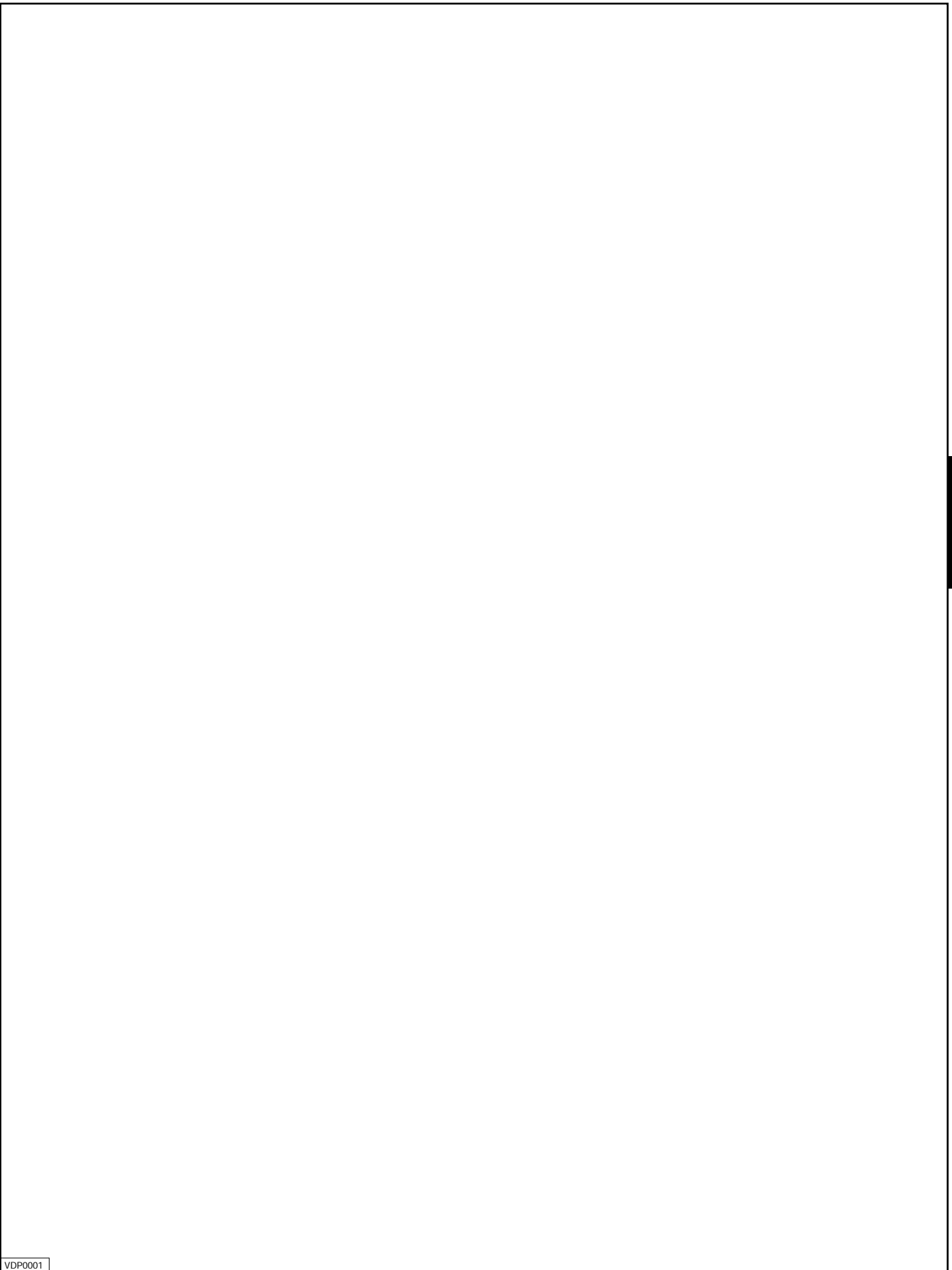
groep/ group 5	blz./ page 7	type	omschrijving/description Overzicht keerkoppelingen Index reverse gearboxes	datum/date 19 06 95
----------------------	--------------------	------	--	------------------------

pos.	qty	part	benaming	description
		PRM		
		CT50172	PRM260D basic	1.96:1
		CT50173	PRM260D basic	2.94:1
		CT50192	PRM260C in line	1.96:1
		CT50193	PRM260C in line	2.94:1
		CT50371	PRM500 basic D	1.46:1
		CT50372	PRM500 basic D	1.94:1
		CT50375	PRM500 basic D	2.57:1
		CT50373	PRM500 basic D	2.90:1
		CT50381	PRM 500 8°	1.46:1
		CT50382	PRM 500 8°	1.94:1
		CT50385	PRM 302 8°	2.57:1
		CT50383	PRM 500 8°	2.90:1
		CT50391	PRM 500 in line C	1.46:1
		CT50392	PRM 500 in line C	1.94:1
		CT50395	PRM 500 in line C	2.57:1
		CT50393	PRM 500 in line C	2.90:1
		CT50470	PRM 750 basic D	1.09:1
		CT50471	PRM 750 basic D	1.46:1
		CT50472	PRM 750 basic D	1.94:1
		CT50475	PRM 750 basic D	2.57:1
		CT50473	PRM 750 basic D	2.90:1
		CT50480	PRM 750 8°	1.09:1
		CT50481	PRM 750 8°	1.46:1
		CT50482	PRM 750 8°	1.94:1
		CT50485	PRM 750 8°	2.57:1
		CT50483	PRM 750 8°	2.90:1
		CT50490	PRM 750 in line C	1.09:1
		CT50491	PRM 750 in line C	1.46:1
		CT50492	PRM 750 in line C	1.94:1
		CT50495	PRM 750 in line C	2.57:1
		CT50493	PRM 750 in line C	2.90:1
		CT50494	PRM 750 in line C	3.95:1

onderdelencatalogus
parts catalogue



groep/ group	blz./ page	type	omschrijving/description	datum/date
5	7		Overzicht keerkoppelingen Index reverse gearboxes	19 06 95



onderdelencatalogus parts catalogue



groep/ group 5	blz./ page 8	type	omschrijving/description Overzicht keerkoppelingen Index reverse gearboxes	datum/date 19 06 95
----------------------	--------------------	------	--	------------------------

pos.	qty	part	benaming	description
PRM				
		CT50570	PRM501 basic D	1.19:1
		CT50571	PRM501 basic D	1.53:1
		CT50572	PRM501 basic D	2.03:1
		CT50580	PRM501A 10°	1.19:1
		CT50581	PRM501A 10°	1.53:1
		CT50582	PRM501A 10°	2.03:1
		CT50670	PRM1000 basic D	1.19:1
		CT50671	PRM1000 basic D	1.53:1
		CT50672	PRM1000 basic D	2.03:1
		CT50673	PRM1000 basic D	2.56:1
		CT50674	PRM1000 basic D	4.00:1
		CT50680	PRM1000A 10°	1.19:1
		CT50681	PRM1000A 10°	1.53:1
		CT50682	PRM1000A 10°	2.03:1
		CT50683	PRM1000A 10°	2.86:1
		CT50684	PRM1000A 10°	4.00:1
		CT50690	PRM1000 in line	1.19:1
		CT50691	PRM1000 in line	1.53:1
		CT50692	PRM1000 in line	2.03:1
		CT50693	PRM1000 in line	2.86:1
		CT50694	PRM1000 in line	4.00:1
TWIN DISK				
		CT50811	MG502-1	1.54:1
		CT50812	MG502-1	2.00:1
		CT50813	MG502-1	2.47:1
		CT50850	MG506-1	1.09:1
		CT50851	MG506-1	1.50:1
		CT50852	MG506-1	1.97:1
		CT50855	MG506-1	2.50:1
		CT50853	MG506-1	2.96:1
		CT50854	MG506-1	3.79:1
		CT50860	MG506A-10°	1.09:1
		CT50861	MG506A-10°	1.50:1
		CT50862	MG506A-10°	1.97:1
		CT50865	MG506A-10°	2.50:1
		CT50863	MG506A-10°	2.96:1
		CT50872	MG507A	2.19:1

onderdelencatalogus
parts catalogue



groep/ group	blz./ page	type	omschrijving/description	datum/date
5	8		Overzicht keerkoppelingen Index reverse gearboxes	19 06 95

--	--	--	--	--

onderdelencatalogus parts catalogue



groep/ group 5	blz./ page 9	type	omschrijving/description Overzicht keerkoppelingen Index reverse gearboxes	datum/date 19 06 95
----------------------	--------------------	------	--	------------------------

pos.	qty	part	benaming	description
MPM				
		CT50220	IRM220A	1.23:1
		CT50221	IRM220A	1.53:1
		CT50222	IRM220A	2.05:1
		CT50223	IRM220A	2.45:1
BORG WARNER				
		CT50911	71C in line	1.52:1
		CT50912	71C in line	1.88:1
		CT50914	71C in line	2.10:1
		CT50915	71C in line	2.57:1
		CT50913	71C in line	2.91:1
		CT50921	72C in line	1.52:1
		CT50922	72C in line	1.88:1
		CT50924	72C in line	2.10:1
		CT50925	72C in line	2.57:1
		CT50923	72C in line	2.91:1
		CT50900	7000 in line	1.12:1
		CT50901	7000 in line	1.51:1
		CT50902	7000 in line	1.98:1
		CT50905	7000 in line	2.66:1
		CT50903	7000 in line	3.04:1
		CT50904	7000 in line	4.10:1

onderdelencatalogus
parts catalogue



groep/ group	blz./ page	type	omschrijving/description	datum/date
5	9		Overzicht keerkoppelingen Index reverse gearboxes	19 06 95

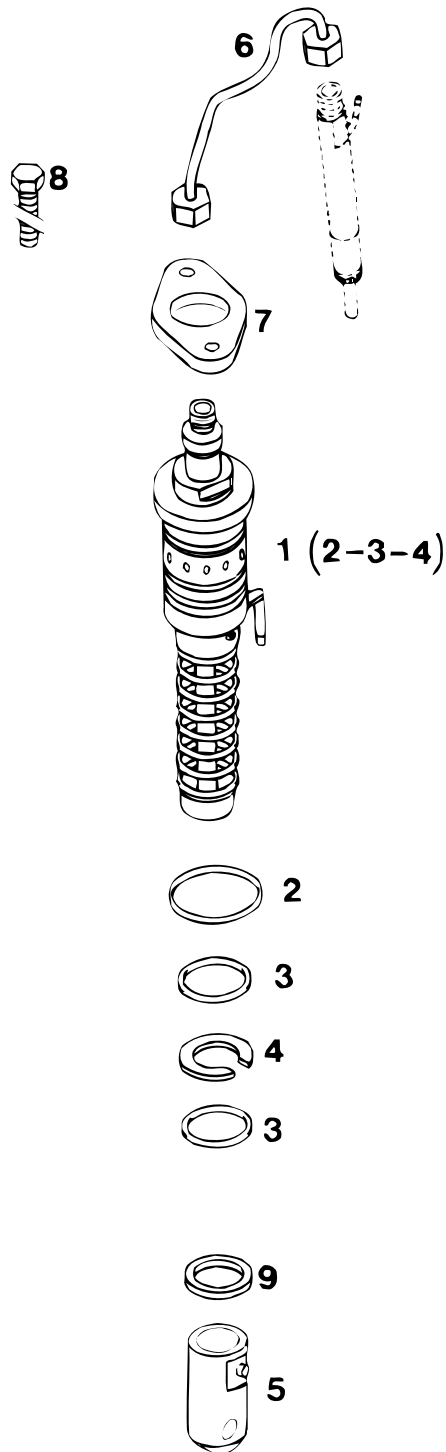
onderdelencatalogus parts catalogue



groep/ group	blz./ page	type	omschrijving/description	datum/date
6	1	DT43 - DTA43	Brandstofinjectionpomp Fuel injection pump	07 05 97

pos.	qty	part	benaming	description
1	1	VD60001	Brandstofinjectionpomp	Fuel inject. pump
2	1	VD60002	O-ring	O-ring
3	2	VD60003	O-ring	O-ring
4	1	VD60004	Shim	Shim
5	1	VD60005	Aandrijfbus	Roller tappet
6	1	VD60006	Hogedrukpijp	High pressure pipe
7	1	VD60007	Flens	Flange
8	2	VD60008	Bout	Hexagon bolt
9	NB	VD60013	Shim Verschillende dikten zie A 2,1mm B 950-961	Shim Different thicknesses see A 2.1mm B 950-961
950	NB	VD60014	Shim Verschillende dikten zie A 2,20mm B 3,951-961	Shim Different thicknesses see A 2.20mm B 3.951-961
951	NB	VD60015	Shim Verschillende dikten zie A 2,30mm B 3,950,952-961	Shim Different thicknesses see A 2.30mm B 3,950.952-961
952	NB	VD60016	Shim Verschillende dikten zie A 2,40mm B 3,950,951,953-961	Shim Different thicknesses see A 2.40mm B 3.950.951.953-961
953	NB	VD60017	Shim Verschillende dikten zie A 2,50mm B 3,950-954,954-961	Shim Different thicknesses see A 2.50mm B 3.950-952.954-961
954	NB	VD60018	Shim Verschillende dikten zie A 2,60mm B 3,950-953,955-961	Shim Different thicknesses see A 2.60mm B 3.950-953.955-961
955	NB	VD60019	Shim Verschillende dikten zie A 2,70mm B 3,950-954,956-961	Shim Different thicknesses see A 2.70mm B 3.950-954.956-961
956	NB	VD60020	Shim Verschillende dikten zie A 2,80mm B 3,950-955,957-961	Shim Different thicknesses see A 2.80mm B 3.950-955.957-961
957	NB	VD60021	Shim Verschillende dikten zie A 2,90mm B 3,950-956,958-961	Shim Different thicknesses see A 2.90mm B 3.950-956.958-961
958	NB	VD60022	Shim Verschillende dikten zie A 3,00mm B 3,950-957,959-961	Shim Different thicknesses see A 3.00mm B 3.950-957.959-961
959	NB	VD60023	Shim Verschillende dikten zie A 3,10mm B 3,950-958,960,961	Shim Different thicknesses see A 3.10mm B 3.950-958.960.961
960	NB	VD60024	Shim Verschillende dikten zie A 3,20mm B 3,950-959,961	Shim Different thicknesses see A 3.20mm B 3.950-959.961
961	NB	VD60025	Shim Verschillende dikten zie A 3,30mm B 3,950-960	Shim Different thicknesses see A 3.30mm B 3.950-960

groep/ group	blz./ page	type	omschrijving/description	datum/date
6	1	DT43 - DTA43	Brandstofinjectionpomp Fuel injection pump	07 05 97



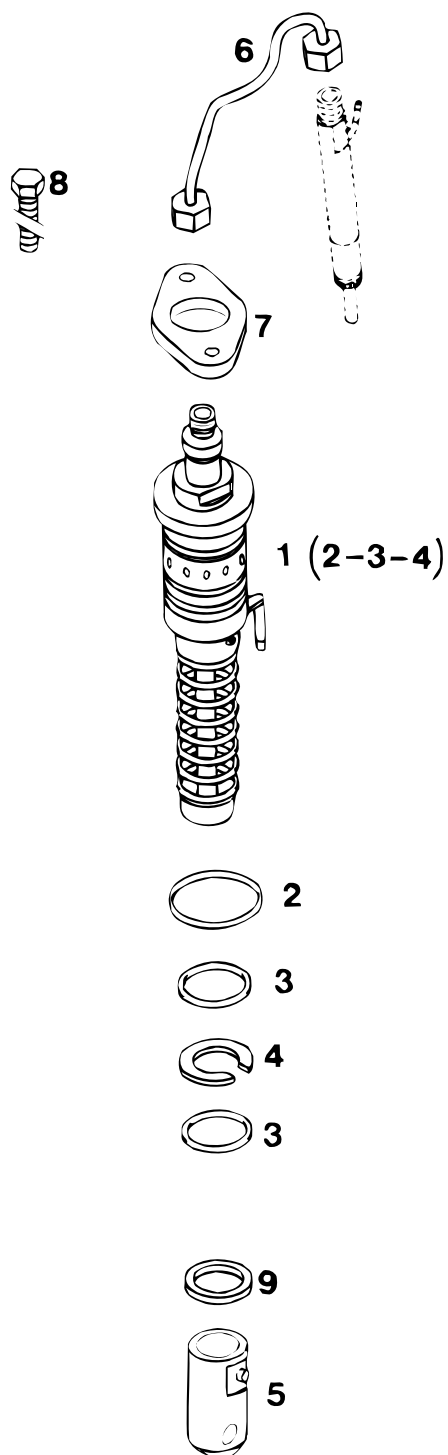
onderdelencatalogus parts catalogue



groep/ group	blz./ page	type	omschrijving/description	datum/date
6	2	DT64 - DTA64	Brandstofinjectionpomp Fuel injection pump	07 05 97

pos.	qty	part	benaming	description
1	1	VD60001	Brandstofinjectionpomp	Fuel inject. pump
2	1	VD60002	O-ring	O-ring
3	2	VD60003	O-ring	O-ring
4	1	VD60004	Shim	Shim
5	1	VD60005	Aandrijfbus	Roller tappet
6	1	VD60006	Hogedrukpijp	High pressure pipe
7	1	VD60007	Flens	Flange
8	2	VD60008	Bout	Hexagon bolt
9	NB	VD60009	Shim Verschillende dikten zie A 1,7mm B 950-961	Shim Different thicknesses see A 1.7mm B 950-961
950	NB	VD60010	Shim Verschillende dikten zie A 1,8mm B 3,951-961	Shim Different thicknesses see A 1.8mm B 3.951-961
951	NB	VD60011	Shim Verschillende dikten zie A 1,9mm B 3,950,952-961	Shim Different thicknesses see A 1.9mm B 3.950.952-961
952	NB	VD60012	Shim Verschillende dikten zie A 2,0mm B 3,950-951,953-961	Shim Different thicknesses see A 2.0mm B 3.950-951.953-961
953	NB	VD60013	Shim Verschillende dikten zie A 2,1mm B 3,950-952,954-961	Shim Different thicknesses see A 2.1mm B 3.950-952.954-961
954	NB	VD60014	Shim Verschillende dikten zie A 2,2mm B 3,950-953,955-961	Shim Different thicknesses see A 2.2mm B 3.950-953.955-961
955	NB	VD60015	Shim Verschillende dikten zie A 2,3mm B 3,950-954,956-961	Shim Different thicknesses see A 2.3mm B 3.950-954.956-961
956	NB	VD60016	Shim Verschillende dikten zie A 2,4mm B 3,950-955,957-961	Shim Different thicknesses see A 2.4mm B 3.950-955.957-961
957	NB	VD60017	Shim Verschillende dikten zie A 2,5mm B 3,950-956,958-961	Shim Different thicknesses see A 2.5mm B 3.950-956.958-961
958	NB	VD60018	Shim Verschillende dikten zie A 2,6mm B 3,950-957,959,961	Shim Different thicknesses see A 2.6mm B 3.950-957.959,961
959	NB	VD60019	Shim Verschillende dikten zie A 2,7mm B 3,950-958,960,961	Shim Different thicknesses see A 2.7mm B 3.950-958.960.961
960	NB	VD60020	Shim Verschillende dikten zie A 2,8mm B 3,950-959,961	Shim Different thicknesses see A 2.8mm B 3.950-959.961
961	NB	VD60021	Shim Verschillende dikten zie A 2,9mm B 3,950-960	Shim Different thicknesses see A 2.9mm B 3.950-960

groep/ group	blz./ page	type	omschrijving/description	datum/date
6	2	DT64 - DTA64	Brandstofinjectionpomp Fuel injection pump	07 05 97



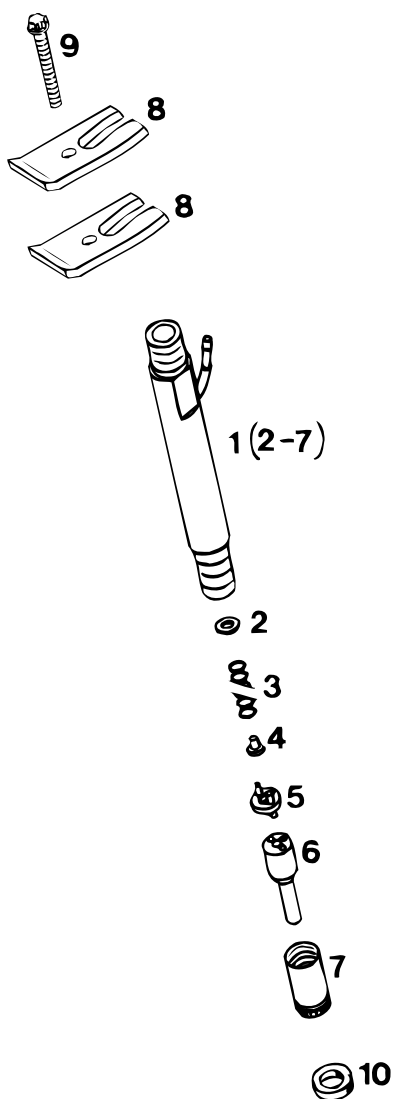
onderdelencatalogus parts catalogue



groep/ group	blz./ page	type	omschrijving/description	datum/date
6	3	DT43 - DTA43 DT64 - DTA64	Brandstofinjector Fuel injector	07 05 97

pos.	qty	part	benaming	description
1	1	VD60026	Brandstofinjector	Fuel injector
2	NB	VD60027	Shim standaard A 1,00 bovenmaat art. B 950-978	Shim standard A 1.00 for oversize see item B 950-978
3	1	VD60028	Veer	Compression spring
4	1	VD60029	Bout	Thrust bolt
5	1	VD60030	Afstandsring	Spacer
6	1	VD60031	Verstuiver	Nozzle element
7	1	VD60032	Verstuiverkap	Nozzle cap nut
950	NB	VD60033	Shim bovenmaat 1,04mm	Shim Oversize 1.04mm
951	NB	VD60034	Shim bovenmaat 1,08mm	Shim Oversize 1.08mm
952	NB	VD60035	Shim bovenmaat 1,10mm	Shim Oversize 1.10mm
953	NB	VD60036	Shim bovenmaat 1,14mm	Shim Oversize 1.14mm
954	NB	VD60037	Shim bovenmaat 1,18mm	Shim Oversize 1.18mm
955	NB	VD60038	Shim bovenmaat 1,20mm	Shim Oversize 1.20mm
956	NB	VD60039	Shim bovenmaat 1,24mm	Shim Oversize 1.24mm
957	NB	VD60040	Shim bovenmaat 1,28mm	Shim Oversize 1.28mm
958	NB	VD60041	Shim bovenmaat 1,30mm	Shim Oversize 1.30mm
959	NB	VD60042	Shim bovenmaat 1,34mm	Shim Oversize 1.34mm
960	NB	VD60043	Shim bovenmaat 1,38mm	Shim Oversize 1.38mm
961	NB	VD60044	Shim bovenmaat 1,40mm	Shim Oversize 1.40mm
962	NB	VD60045	Shim bovenmaat 1,44mm	Shim Oversize 1.44mm
963	NB	VD60046	Shim bovenmaat 1,48mm	Shim Oversize 1.48mm
964	NB	VD60047	Shim bovenmaat 1,50mm	Shim Oversize 1.50mm
965	NB	VD60048	Shim bovenmaat 1,54mm	Shim Oversize 1.54mm
966	NB	VD60049	Shim bovenmaat 1,58mm	Shim Oversize 1.58mm
967	NB	VD60050	Shim bovenmaat 1,60mm	Shim Oversize 1.60mm
968	NB	VD60051	Shim bovenmaat 1,64mm	Shim Oversize 1.64mm
969	NB	VD60052	Shim bovenmaat 1,68mm	Shim Oversize 1.68mm
970	NB	VD60053	Shim bovenmaat 1,70mm	Shim Oversize 1.70mm
971	NB	VD60054	Shim bovenmaat 1,74mm	Shim Oversize 1.74mm
972	NB	VD60055	Shim bovenmaat 1,78mm	Shim Oversize 1.78mm
973	NB	VD60056	Shim bovenmaat 1,80mm	Shim Oversize 1.80mm
974	NB	VD60057	Shim bovenmaat 1,84mm	Shim Oversize 1.84mm
975	NB	VD60058	Shim bovenmaat 1,88mm	Shim Oversize 1.88mm
976	NB	VD60059	Shim bovenmaat 1,90mm	Shim Oversize 1.90mm
977	NB	VD60060	Shim bovenmaat 1,94mm	Shim Oversize 1.94mm
978	NB	VD60061	Shim bovenmaat 1,98mm	Shim Oversize 1.98mm
8	2	VD60062	Klemhaak	Claw
9	1	VD60063	Bout	Torx-head bolt
10	1	VD60064	Afdichtring	Sealing ring

groep/ group	blz./ page	type	omschrijving/description	datum/date
6	3	DT43 - DTA43 DT64 - DTA64	Brandstofinjection Fuel injector	07 05 97



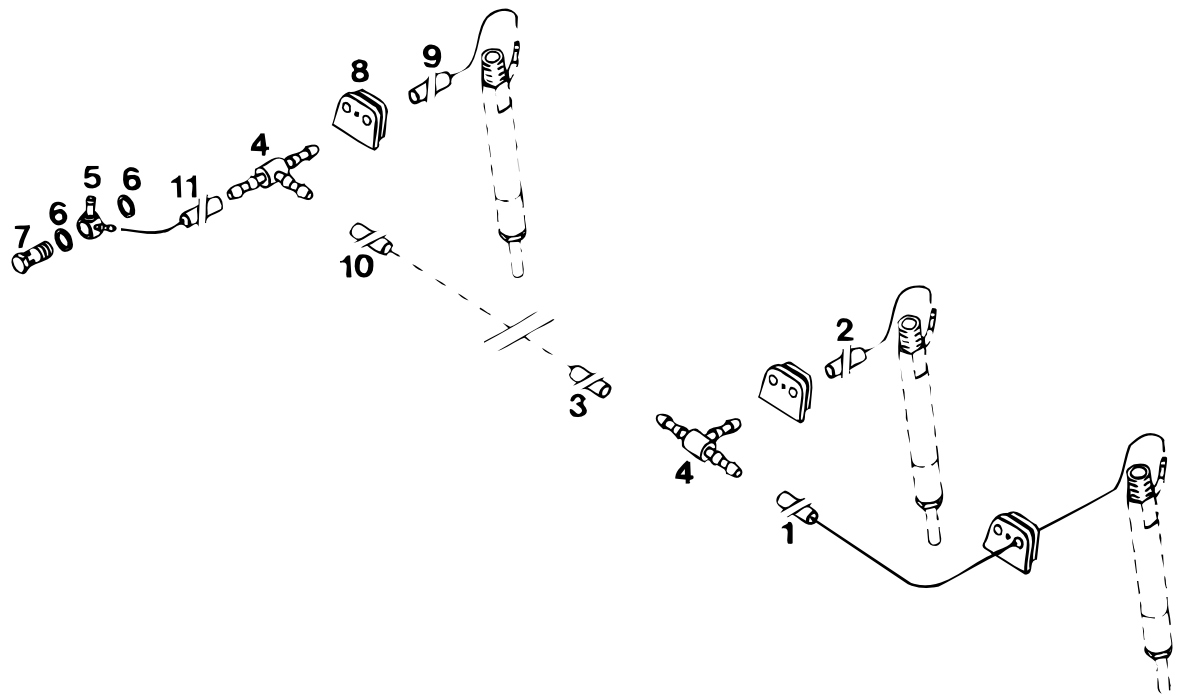
onderdelencatalogus parts catalogue



groep/ group 6	blz./ page 4	type DT43 - DTA43	omschrijving/description Brandstof retourleiding Overflow line	datum/date 07 05 97
----------------------	--------------------	----------------------	--	------------------------

pos.	qty	part	benaming	description
1	MTR	VD60065	Rubberslang 250mm	Rubber hose
2	MTR	VD60066	Rubberslang 145mm	Rubber hose
3	MTR	VD60067	Rubberslang 111mm	Rubber hose
4	3	VD60068	T-stuk	T-fitting
5	1	VD60069	Banjo oog	Banjo fitting
6	2	VD60070	Afdichtring	Sealing ring
7	1	VD60071	Ventiel	Pressurestat
8	4	VD60072	Rubberafdichting	Rubber seal
9	MTR	VD60073	Rubberslang 200mm	Rubber hose
10	MTR	VD60074	Rubberslang 135mm	Rubber hose
11	1	VD60075	Rubberslang 105mm	Rubber hose

groep/ group 6	blz./ page 4	type DT43 - DTA43	omschrijving/description Brandstof retourleiding Overflow line	datum/date 07 05 97
----------------------	--------------------	----------------------	--	------------------------



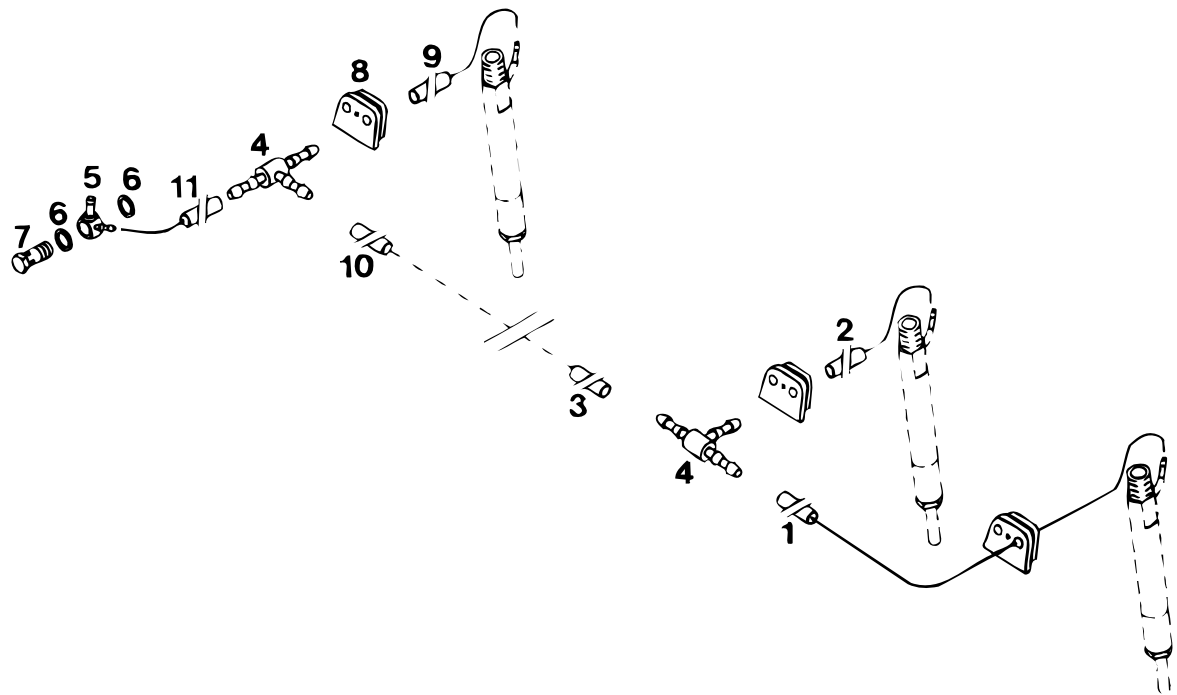
onderdelencatalogus parts catalogue



groep/ group 6	blz./ page 5	type DT64 - DTA64	omschrijving/description Brandstof retourleiding Overflow line	datum/date 07 05 97
----------------------	--------------------	----------------------	--	------------------------

pos.	qty	part	benaming	description
1	MTR	VD60065	Rubberslang 250mm	Rubber hose
2	MTR	VD60066	Rubberslang 145mm	Rubber hose
3	MTR	VD60067	Rubberslang 111mm	Rubber hose
4	5	VD60068	T-stuk	T-fitting
5	1	VD60069	Banjo oog	Banjo fitting
6	2	VD60070	Afdichtring	Sealing ring
7	1	VD60071	Ventiel	Pressurestat
8	6	VD60072	Rubberafdichting	Rubber seal
9	MTR	VD60073	Rubberslang 200mm	Rubber hose
10	MTR	VD60074	Rubberslang 135mm	Rubber hose
11	MTR	VD60075	Rubberslang 105mm	Rubber hose

groep/ group	blz./ page	type	omschrijving/description	datum/date
6	5	DT64 - DTA64	Brandstof retourleiding Overflow line	07 05 97



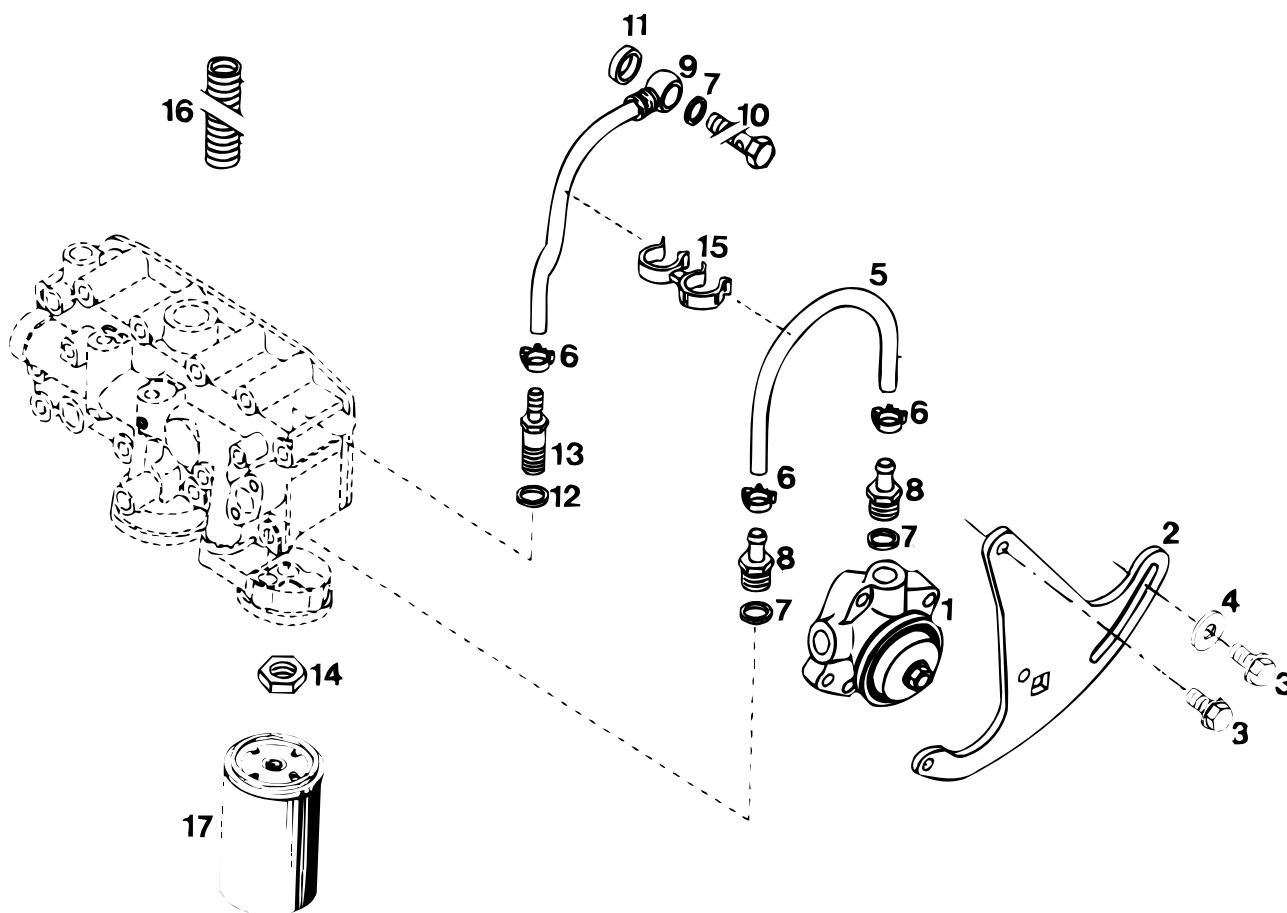
onderdelencatalogus parts catalogue



groep/ group	blz./ page	type	omschrijving/description	datum/date
6	6	DT43 - DTA43 DT64 - DTA64	Brandstofpomp Fuel pump	07 05 97

pos.	qty	part	benaming	description
1	1	VD60076	Branstofpomp	Fuel pump
2	1	VD60077	Spansteun	Clamping strap
3	2	VD20186	Bout M8x20	Hexagon bolt M8x20
4	1	VD60079	Ring	Plain washer
5	1	VD60080	Slang	Hose
6	3	VD60081	Slangklem	Hose clip
7	3	VD20272	Afdichtring	Sealing ring
8	2	VD60083	Slangpilaar	Hose nipple
9	1	VD60084	Brandstofleiding	Fuel line
10	1	VD60085	Banjobout	Hollow screw
11	1	VD60086	Afdichtring	Sealing ring
12	1	VD20189	Afdichtring	Sealing ring
13	1	VD60088	Slangpilaar	Hose sleeve
14	1	VD60089	Moer M16x1,5	Hexagon nut M16x1.5
15	1	VD60090	Slangbeugel	Hose retainer
16	1	VD60091	Gegolfde stokbuis	Corrugated tube
17	1	VD60092	Brandstoffilter	Fuel filter

groep/ group	blz./ page	type	omschrijving/description	datum/date
6	6	DT43 - DTA43 DT64 - DTA64	Brandstofpomp Fuel pump	07 05 97



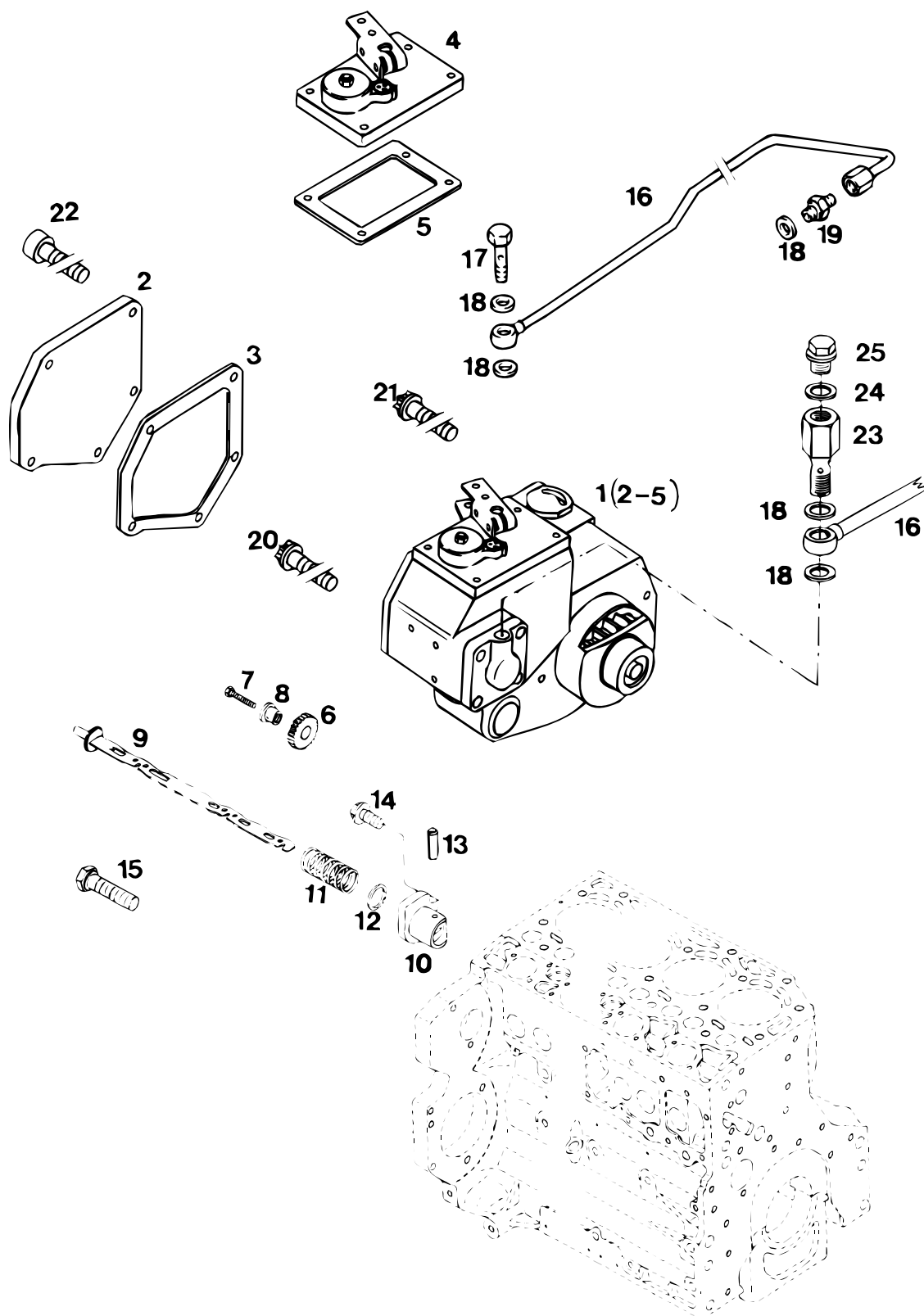
onderdelencatalogus parts catalogue



groep/ group	blz./ page	type	omschrijving/description	datum/date
6	7	DT43 - DTA43 DT64 - DTA64	Regulateur Regulator	23 03 98

pos.	qty	part	benaming	description
1	1	VD60093	Regulateur	Governer
2	1	VD60094	Deksel	Hood
3	1	VD60095	Pakking	Gasket
4	1	VD60096	Deksel	Cover
5	1	VD60097	Pakking	Gasket
6	1	VD60098	Tandwiel	Tooted gear
7	1	VD60099	Bout M8x35	Hexagon bolt M8x35
8	1	VD60100	Bus	Journal
9	1	VD60101	Regelstang DT43	Control rod DT43
	1	VD60102	Regelstang DT64	Control rod DT64
10	1	VD60103	Geleidebus	Guide bush
11	1	VD60104	Veer	Compression spring
12	1	VD60105	Ring	Plain washer
13	1	VD60106	Spanstift 6x20	Straight pin 6x20
14	1	VD20186	Bout M8x20	Hexagon bolt M8x20
15	NB	VD60108	Stelschroef DT43	Adjusting screw DT43
16	1	VD60109	Leiding	Pipe
17	1	VD20106	Banjobout	Hollow screw
18	3	VD20031	Afdichtring	Sealing ring
19	1	VD60112	Nippel	Socket/adaptor
20	1	VD60113	Bout 8x55	Torx-head bolt 8x55
21	4	VD60114	Bout	Torx-head bolt
22	4	VD60115	Cilinderkopschroef M6x20	Cheese head screw M6x20
23	1	STM8791	Nippel	Nipple
24	1	STM9024	Afdichtring	Seal washer
25	1	STM8792	Plug G1/4	Plug G1/4

groep/ group	blz./ page	type	omschrijving/description	datum/date
6	7	DT43 - DTA43 DT64 - DTA64	Regulateur Regulator	23 03 98



onderdelencatalogus parts catalogue



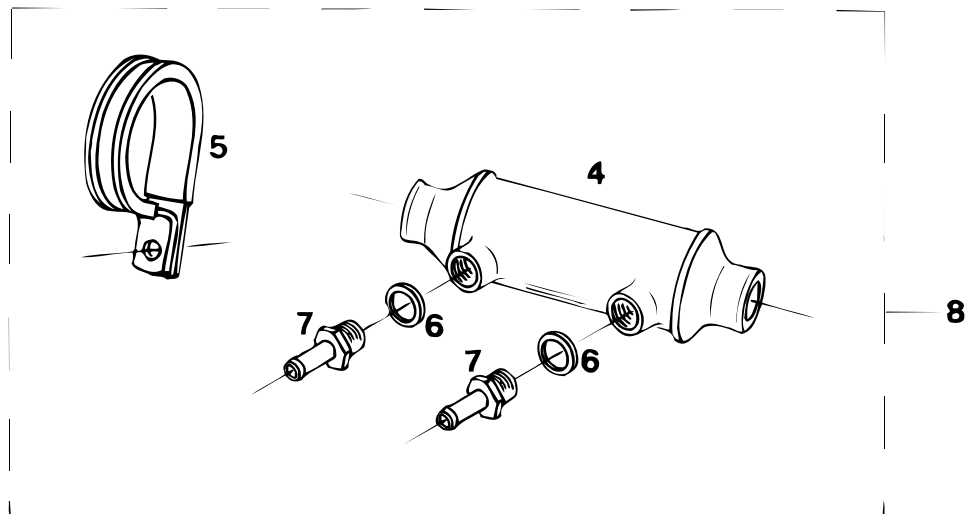
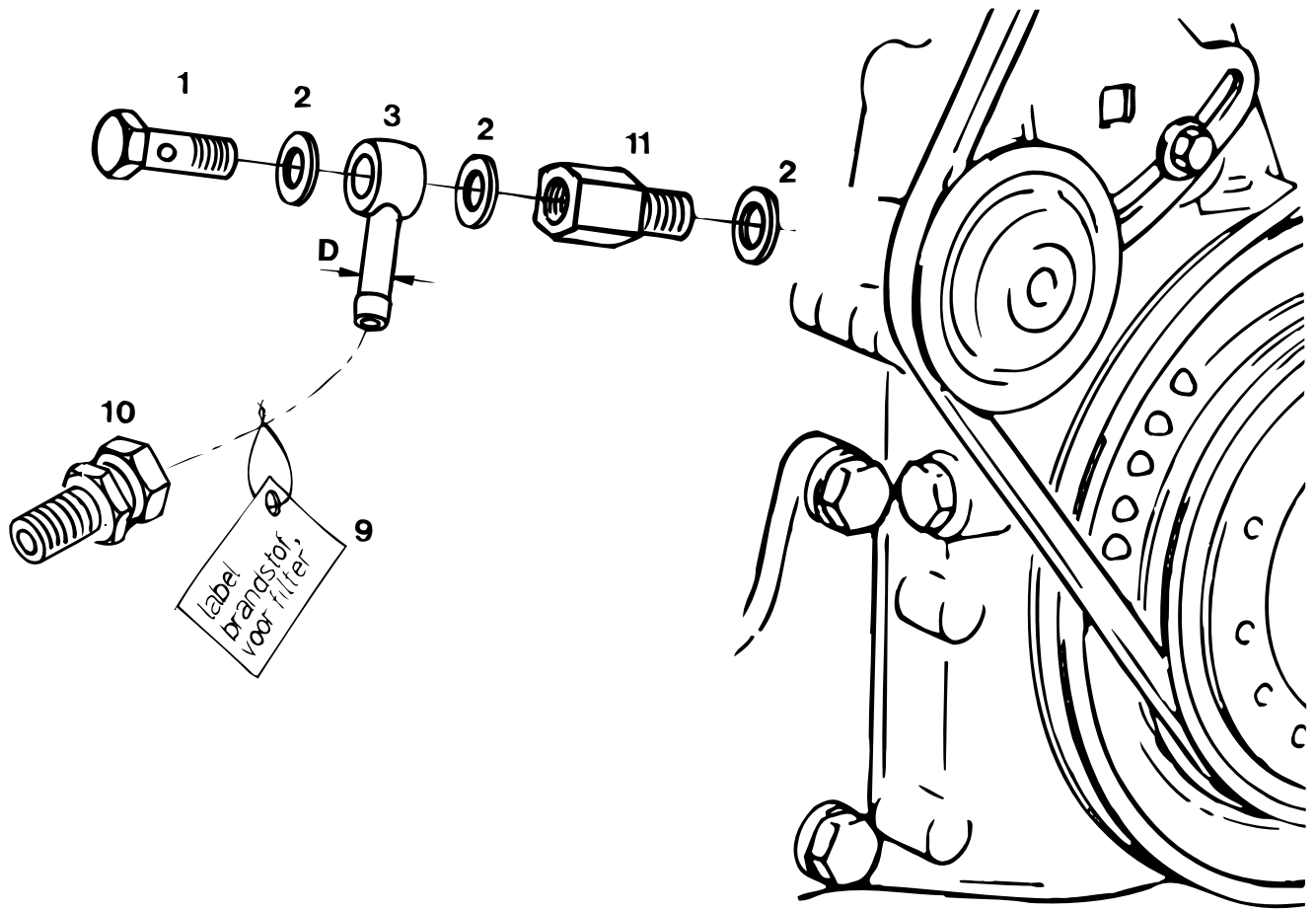
groep/ group	blz./ page	type	omschrijving/description	datum/date
6	8	DT43 - DTA43 DT64 - DTA64	Brandstof Fuel	01 12 98

pos.	qty	part	benaming	description
1	1	STM8214	Banjo bout M16x1,5	Banjo bolt M16x1,5
2	3	STM6617	Afdichtring M16	Washer M16
3	1	STM8215	Banjo oog M16 D=ø12	Banjo eye M16 D=ø12
4	1	STM8320	Brandstofkoeler 5" x ø55 - G3/8 slangaansluiting ø33	Fuel cooler 5" x ø55 - G3/8 Hose connection ø33
5	1	STM8208	Klem ø55 RSGU1.55/25W1	Clamp ø55 RSGU1.55/25W1
6	2	STM6617	Afdichtring M16	Sealwasher M16
7	2	STM8321	Slangpilaar G3/8-10	Hose pillar G3/8-10
8	1	STM8319	Brandstofkoeler kit (optie)	Kit fuel cooler connection (option)
9	1	STM8430	Label brandstof voor filter DT(A)43-DT(A)64-DT(A)67	Label fuel for cleaner DT(A)43-DT(A)64-DT(A)67
10	2	STM8200	Fitting WS720	Fitting WS720
11	1	STM8213	Nippel M16x1,5	Nipple M16x1.5

onderdelencatalogus parts catalogue



groep/ group	blz./ page	type	omschrijving/description	datum/date
6	8	DT43 - DTA43 DT64 - DTA64	Brandstof Fuel	01 12 98



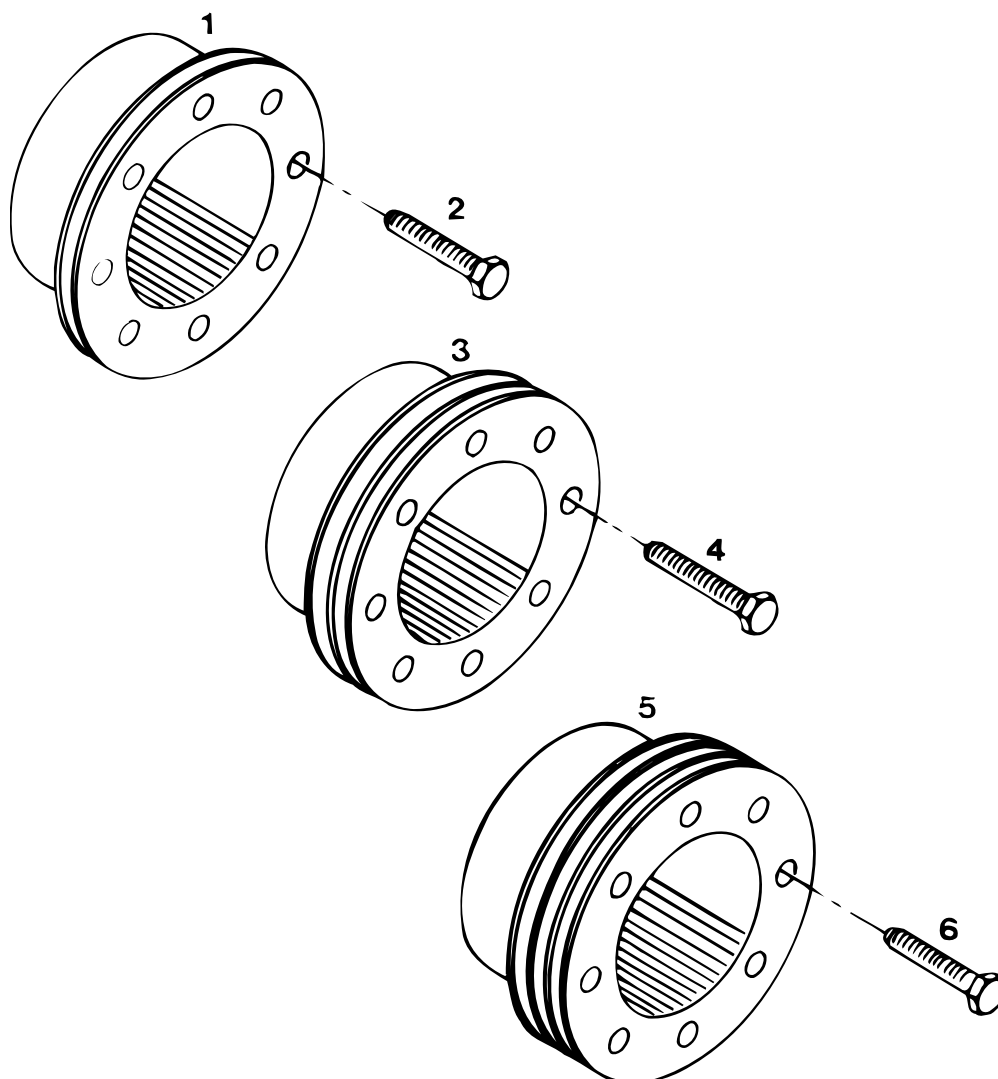
onderdelencatalogus parts catalogue



groep/ group 10	blz./ page 1	type DT43 - DTA43 DT64 - DTA64	omschrijving/description V-snaarschijf Pulley	datum/date 11 11 02
-----------------------	--------------------	--------------------------------------	---	------------------------

pos.	qty	part	benaming	description
1	1	STM8341	V-snaarschijf single	Pulley single
2	9	STM8342	Bout M10x70	Bolt M10x70
3	1	STM8438	V-snaarschijf double	Pulley double
4	9	STM8826	Bout M10x90	Bolt M10x90
5	1	STM8439	V-snaarschijf triple	Pulley triple
6	1	STM1612	Bout M10x100	Bolt M10x100

groep/ group	blz./ page	type	omschrijving/description	datum/date
10	1	DT43 - DTA43 DT64 - DTA64	V-snaarschijf Pulley	07 05 97



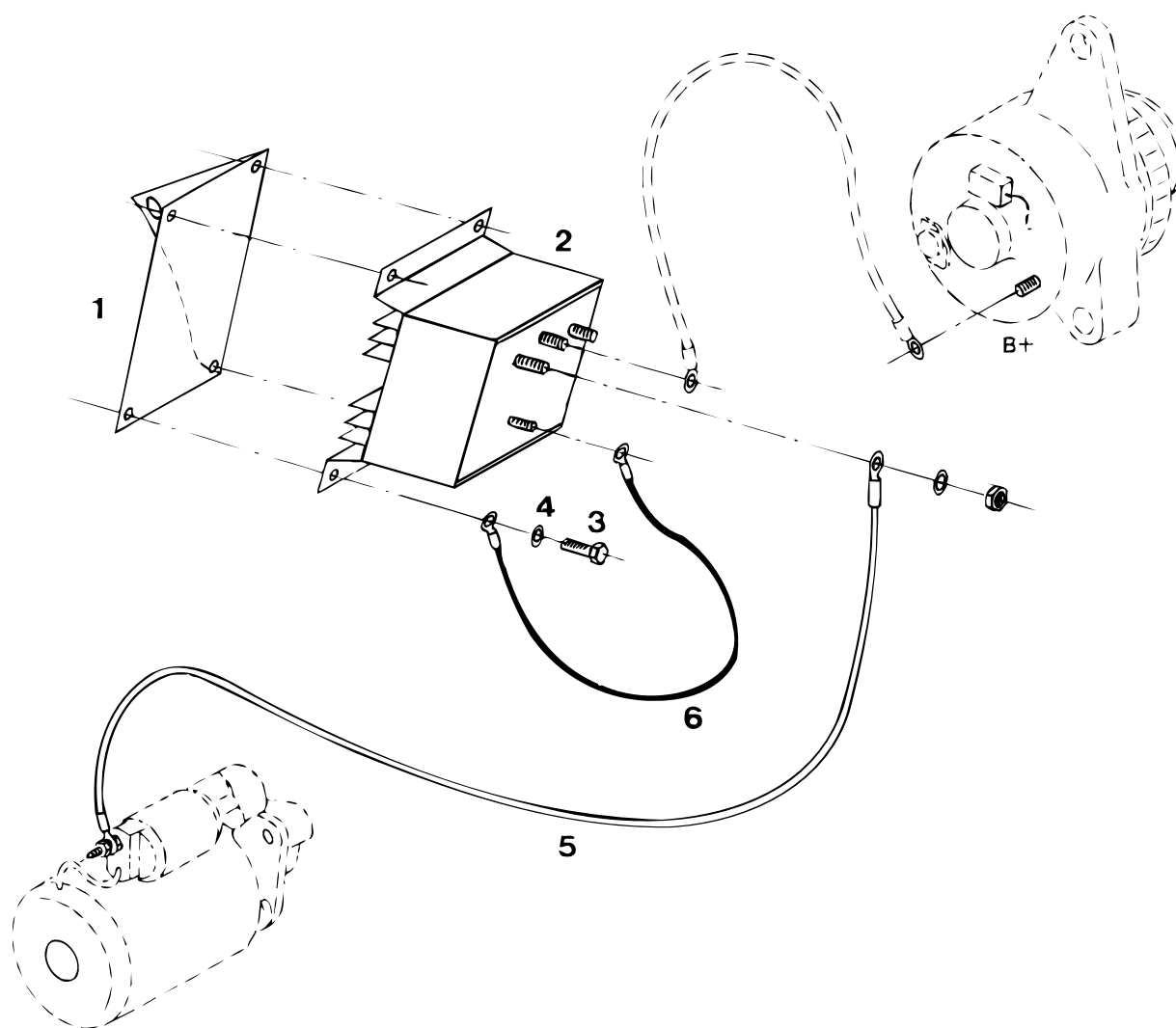
onderdelencatalogus parts catalogue



groep/ group 10	blz./ page 4	type DT43 - DTA43 DT64 - DTA64	omschrijving/description Scheidingsdiode Diode splitter	datum/date 04 07 97
-----------------------	--------------------	--------------------------------------	---	------------------------

pos.	qty	part	benaming	description
1	1	STM8717	Steun scheidingsdiode	Support diode splitter
2	2	STM8715	Scheidingsdiode diode 902	Diode splitter
3	4	STM9063	Bout M5x10	Bolt M5x10
4	4	STM8177	Veerring M5	Spring washer M5
5	1	CT40170	Laadstroomkabel 10 mm ² l=500	Charger cable 10 mm ² l=500
6	1	STM8716	Massakabel 1,5 mm ² l=200	Ground cable 1.5 mm ² l=200

groep/ group	blz./ page	type	omschrijving/description	datum/date
10	4	DT43 - DTA43 DT64 - DTA64	Scheidingsdiode Diode splitter	04 07 97



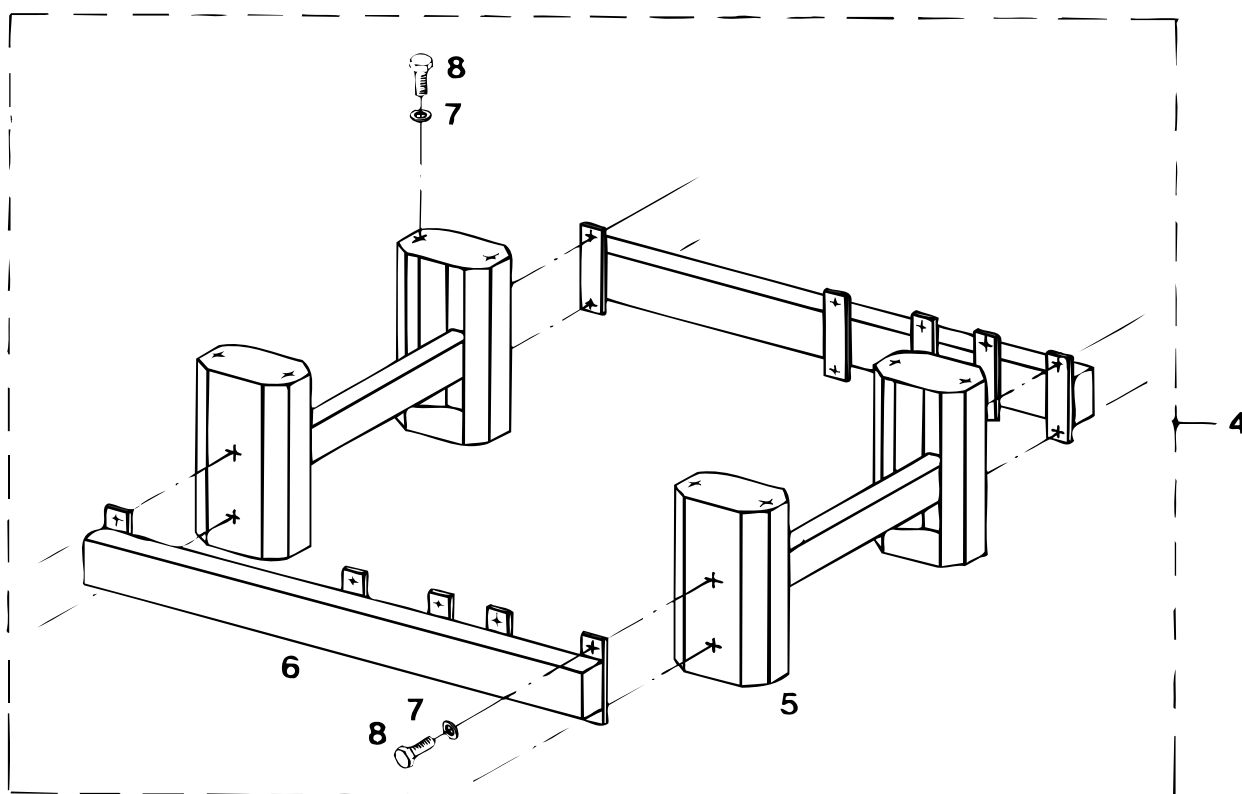
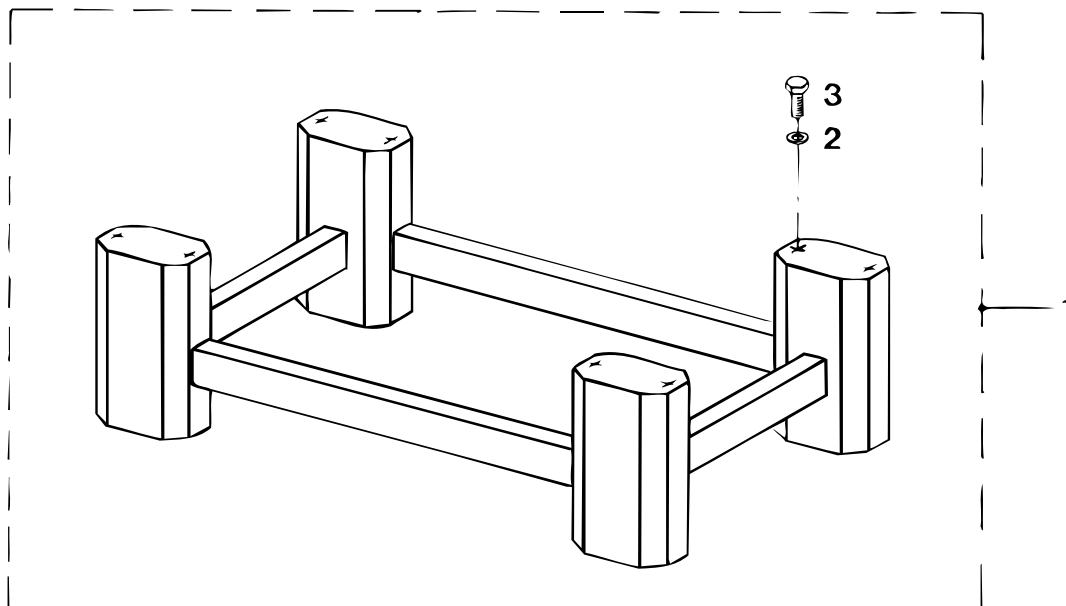
onderdelencatalogus parts catalogue



groep/ group	blz./ page	type	omschrijving/description	datum/date
10	5	DT43 - DTA43 DT64 - DTA64	Showbok Engine display	20 09 97

pos.	qty	part	benaming	description
1	1	STM8284	Showbok DT43-DTA43	Engine display DT43-DTA43
		STM8285	Showbok DT64-DTA64	Engine display DT64-DTA64
2	8	STM3258	Ring M12	Washer M12
3	8	STM8266	Bout M12x40	Bolt M12x40
4	1	STM8747	Showbok DT43-DTA43	Engine display DT43-DTA43
	1	STM8748	Showbok DT64-DTA64	Engine display DT64-DTA64
5	2	STM8750	Drager	Carrier
6	2	STM8751	Transportsteun	Transport bracket
7	16	STM3258	Ring M12	Washer M12
8	16	STM8266	Bout M12x40	Bolt M12x40

groep/ group	blz./ page	type	omschrijving/description	datum/date
10	5	DT43 - DTA43 DT64 - DTA64	Showbok Engine display	20 09 97



onderdelencatalogus parts catalogue



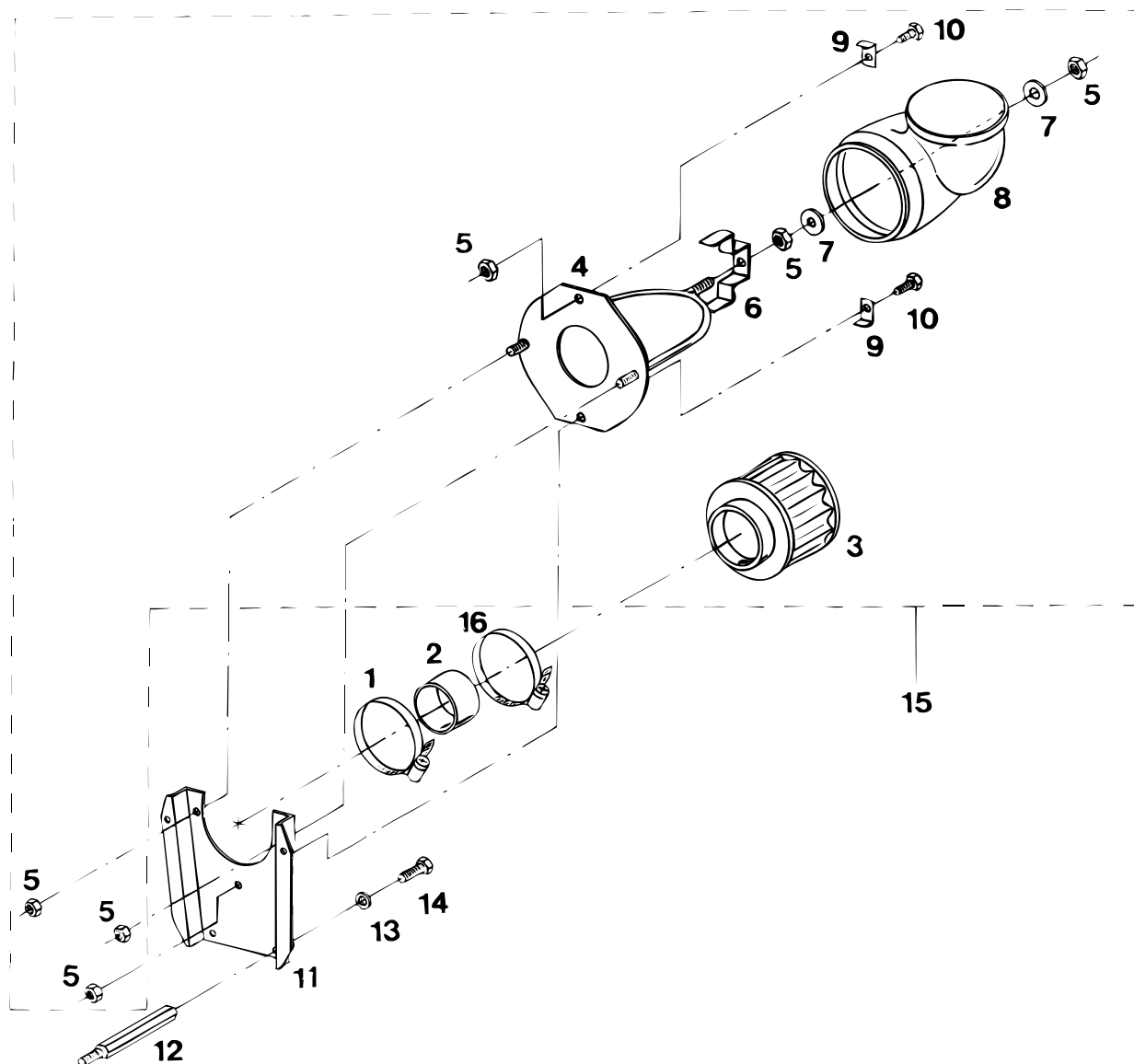
groep/ group 10	blz./ page 6	type DT43 - DTA43	omschrijving/description Luchtfilter + huis Aircleaner + case	datum/date 06 08 98
-----------------------	--------------------	----------------------	---	------------------------

pos.	qty	part	benaming	description
1	1	STM8150	Slangklem 77-95	Hose clamp 77-95
2	1	STM8188	Bus	Busch
3	1	STM8719	Luchtfilter	Aircleaner
4	1	STM8721	Montage plaat	Mounting plate
5	6	STM8733	Zelfborgende moer M6	Nyloc nut M6
6	1	STM8724	Beugel	Bracket
7	5	STM8726	Sluitring M6	Washer M6
8	1	STM8727	Filterhuis	Aircleaner case
9	2	STM8729	Klemplaat	Clamp plate
10	2	STM8730	Bout M6x20	Bolt M6x20
11	1	STM8185	Steun	Support
12	2	STM8187	Afstandhouder l=90	Spacer l=90
13	2	STM4014	Veerring M10	Spring washer M10
14	2	STM9003	Bout M10x25	Bolt M10x25
15	1	STM8731	Filterhuis compleet pos no. 3.4.5.6.7.8.9.10.	Airclaener case cpl. pos no. 3.4.5.6.7.8.9.10.

onderdelencatalogus parts catalogue



groep/ group	blz./ page	type	omschrijving/description	datum/date
10	6	DT43 - DTA43	LuchtfILTER + huis Air cleaner + case	06 08 98



onderdelencatalogus parts catalogue



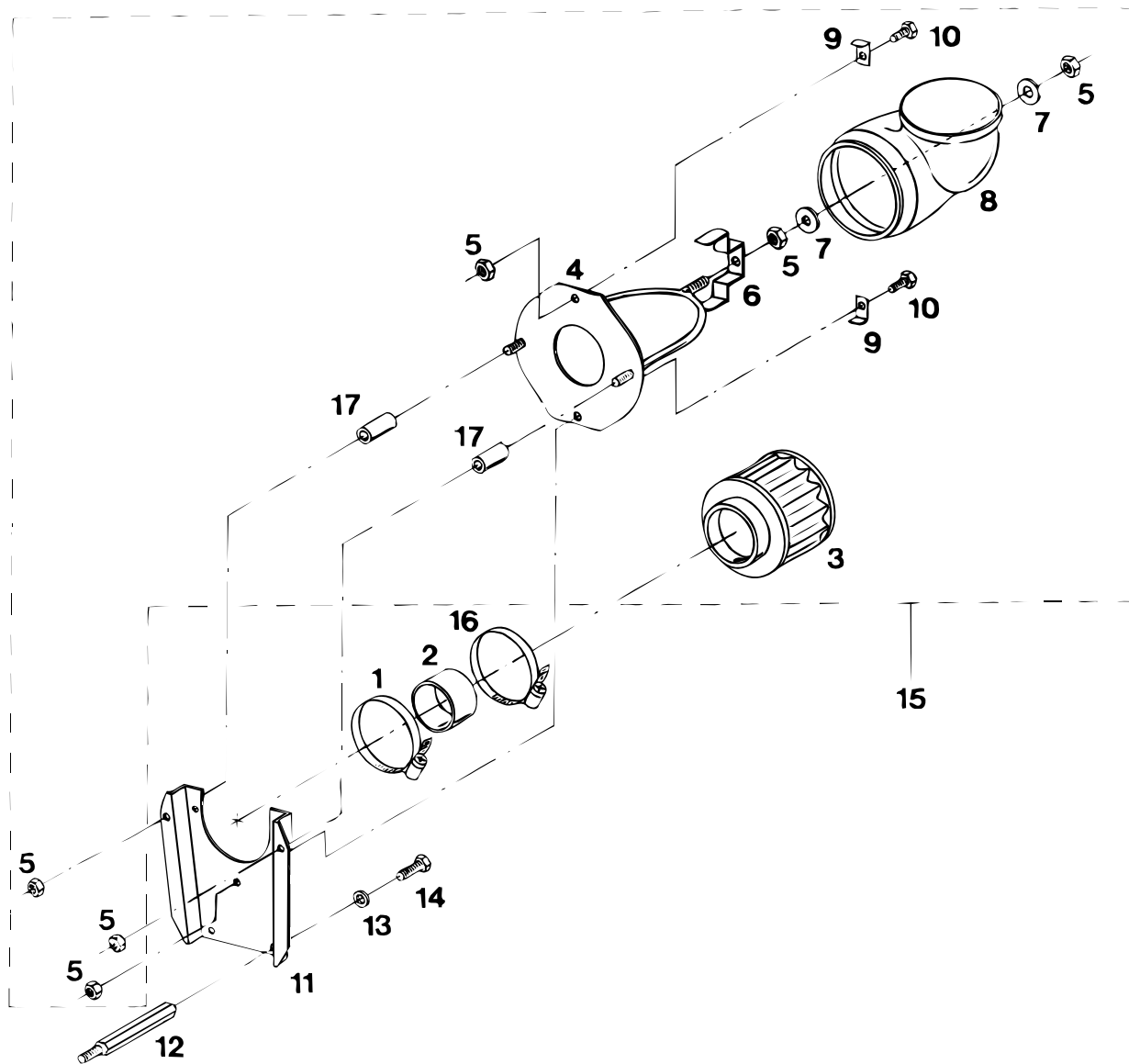
groep/ group	blz./ page	type	omschrijving/description	datum/date
10	7	DT64 - DTA64	Luchtfilter + huis Aircleaner + case	06 08 98

pos.	qty	part	benaming	description
1	1	STM8149	Slangklem 87-112	Hose clamp 87-112
2	1	STM8189	Bus	Busch
3	1	STM8720	Luchtfilter	Aircleaner
4	1	STM8722	Montage plaat	Mounting plate
5	6	STM8733	Zelfborgende moer M6	Nyloc nut M6
6	1	STM8725	Beugel	Bracket
7	5	STM8726	Sluitring M6	Washer M6
8	1	STM8728	Filterhuis	Aircleaner case
9	2	STM8729	Klemplaat	Clamp plate
10	2	STM8730	Bout M6x20	Bolt M6x20
11	1	STM8185	Steun	Support
12	2	STM8187	Afstandhouder l=90	Spacer l=90
13	2	STM4014	Veerring M10	Spring washer M10
14	2	STM9003	Bout M10x25	Bolt M10x25
15	1	STM8732	Filterhuis compleet pos 3.4.5.6.7.8.9.10.17	Airclaener case cpl. pos 3.4.5.6.7.8.9.10.17
16	1	STM8149	Slangklem 87-112	Hose clamp 87-112
17	2	STM8723	Bus	Busch

onderdelencatalogus parts catalogue



groep/ group	blz./ page	type	omschrijving/description	datum/date
10	7	DT64 - DTA64	Luchtfilter + huis Aircleaner + case	06 08 98



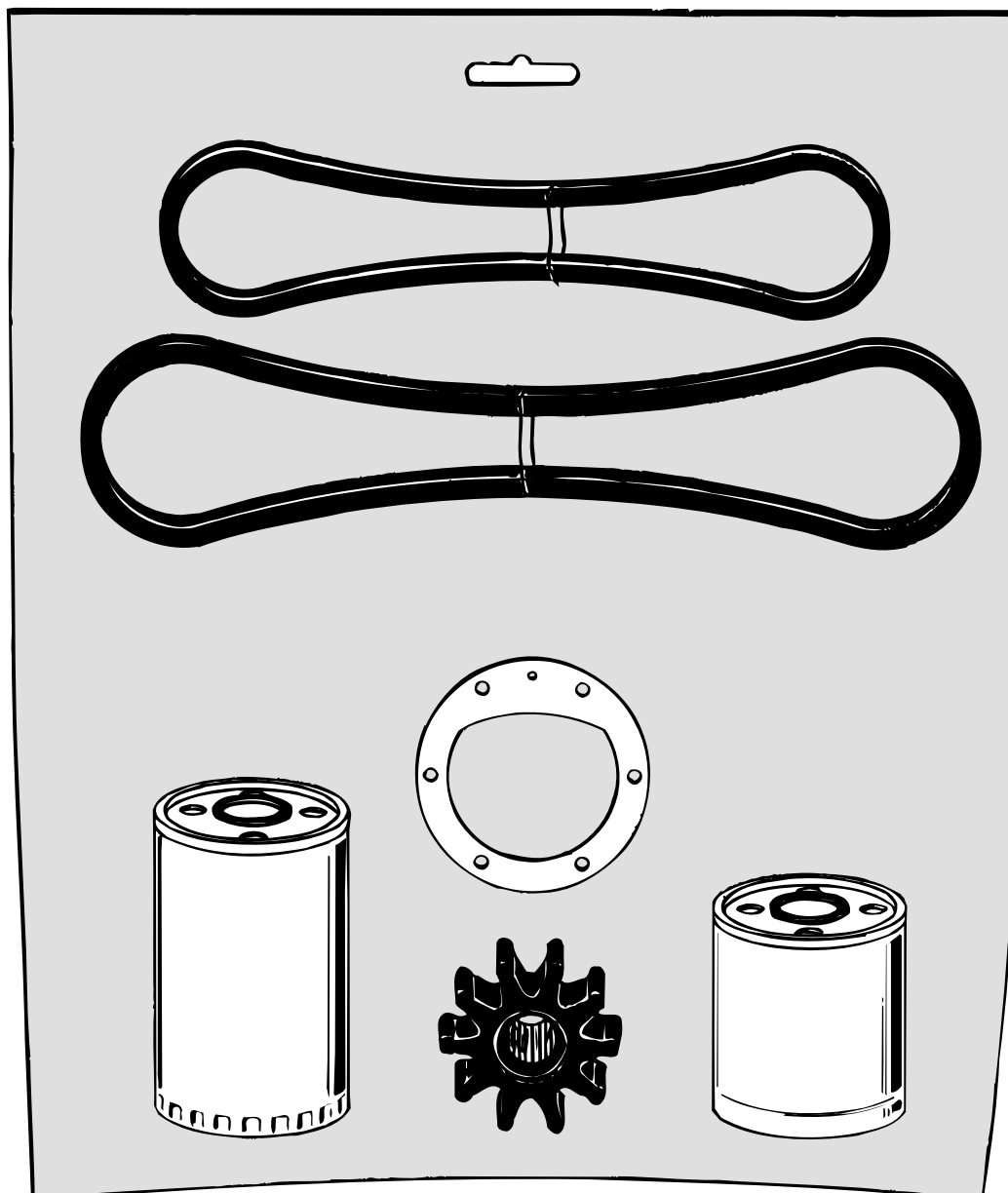
onderdelencatalogus parts catalogue



groep/ group 10	blz./ page 8	type DT43 - DTA43	omschrijving/description Service kit Service kit	datum/date 11 11 02
-----------------------	--------------------	----------------------	--	------------------------

pos.	qty	part	benaming	description
1	1	STM8250	Impeller + pakking	Impeller + gasket
2	1	VD60092	Brandstoffilter	Fuelfilter
3	1	VD20262	Oliefilter	Oilfilter
4	1	STM8293	V-snaar dynamo	V-belt alternator
5	1	STM8778	V-snaar water/br.st.pomp (12,5 mm)	V-belt water/fuel pump (12.5 mm)
6	1	STM9538	Service kit compleet (pos. 1 + 2 + 3 + 4 + 5)	Service kit cpl. (pos. 1 + 2 + 3 + 4 + 5)

groep/ group	blz./ page	type	omschrijving/description	datum/date
10	8	DT43 - DTA43	Service kit Service kit	11 11 02



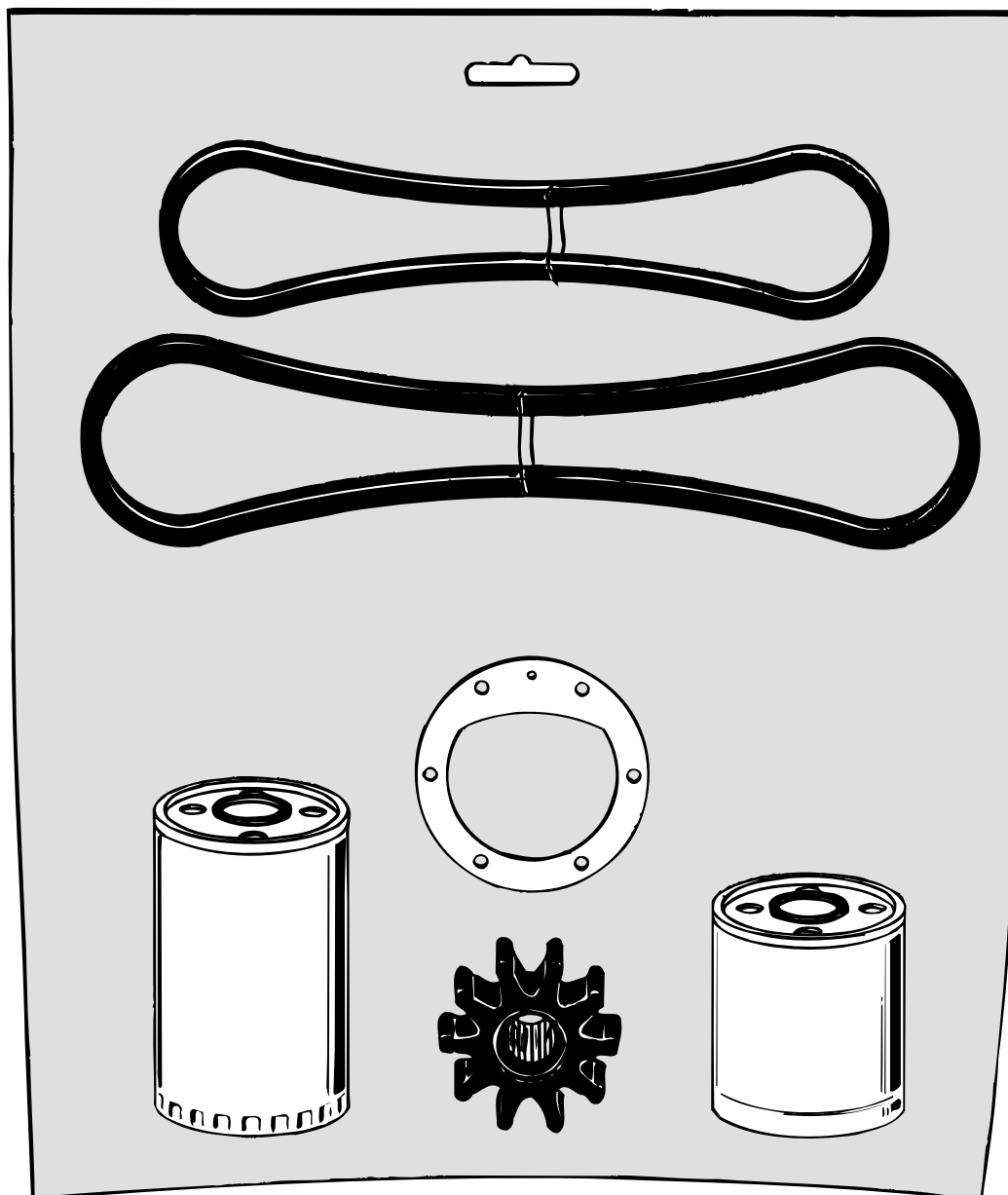
onderdelencatalogus parts catalogue



groep/ group 10	blz./ page 9	type DT43 - DTA43	omschrijving/description Service kit Service kit	datum/date 11 11 02
-----------------------	--------------------	----------------------	--	------------------------

pos.	qty	part	benaming	description
1	1	STM8250	Impeller + pakking	Impeller + gasket
2	1	VD60092	Brandstoffilter	Fuelfilter
3	1	VD20262	Oliefilter	Oilfilter
4	1	STM8293	V-snaar dynamo	V-belt alternator
5	1	STM1661	V-snaar water/br.st.pomp (10 mm)	V-belt water/fuel pump (10 mm)
6	1	STM9537	Service kit compleet (pos. 1 + 2 + 3 + 4 + 5)	Service kit cpl. (pos. 1 + 2 + 3 + 4 + 5)

groep/ group	blz./ page	type	omschrijving/description	datum/date
10	9	DT43 - DTA43	Service kit Service kit	11 11 02



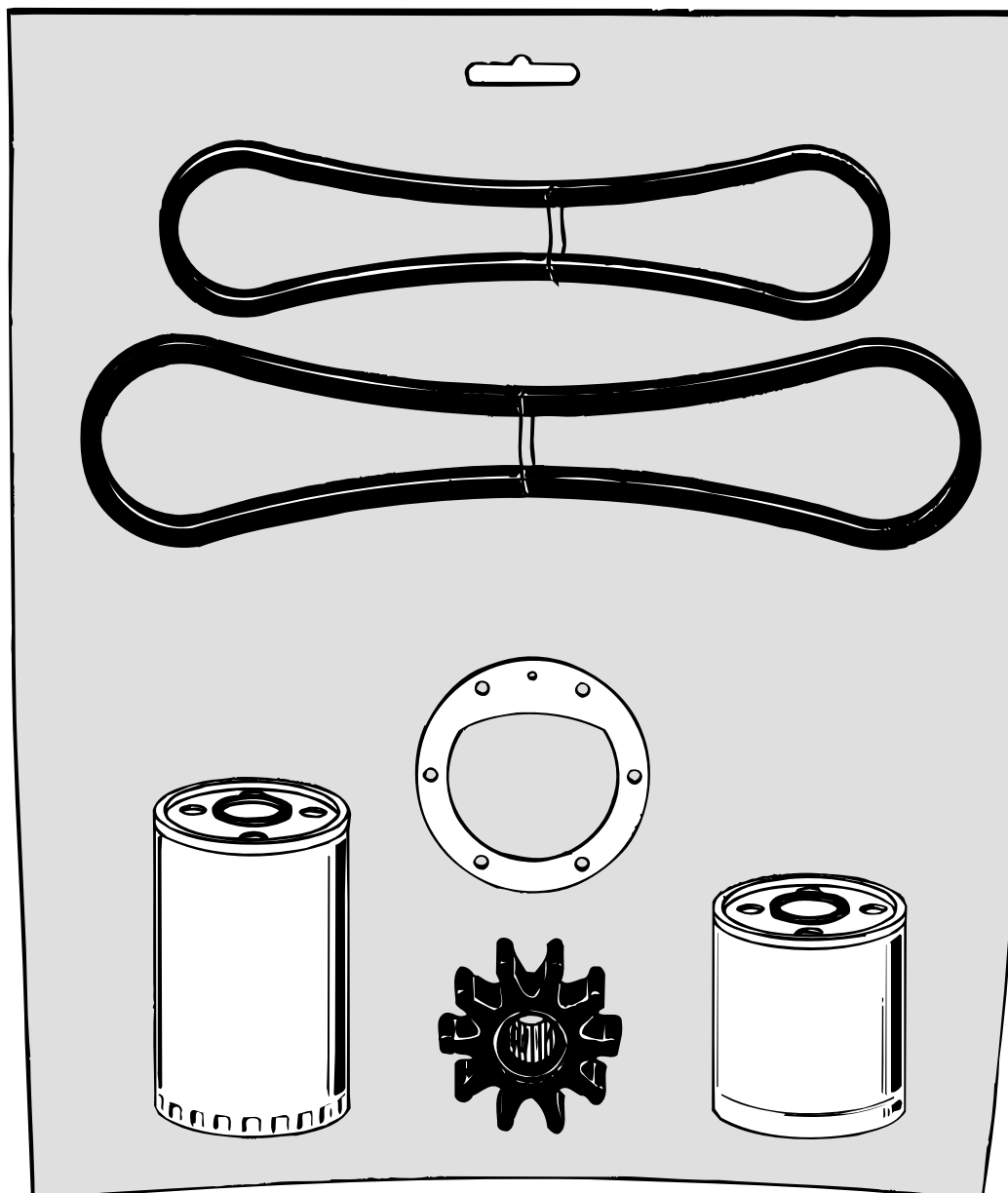
onderdelencatalogus parts catalogue



groep/ group	blz./ page	type	omschrijving/description	datum/date
10	10	DT64 - DTA64	Service kit Service kit	11 11 02

pos.	qty	part	benaming	description
1	1	STM8250	Impeller + pakking	Impeller + gasket
2	1	VD60092	Brandstoffilter	Fuelfilter
3	1	VD20263	Oliefilter	Oilfilter
4	1	STM8293	V-snaar dynamo	V-belt alternator
5	1	STM8778	V-snaar water/br.st.pomp (12,5 mm)	V-belt water/fuel pump (12.5 mm)
6	1	STM9540	Service kit compleet (pos. 1 + 2 + 3 + 4 + 5)	Service kit cpl. (pos. 1 + 2 + 3 + 4 + 5)

groep/ group	blz./ page	type	omschrijving/description	datum/date
10	10	DT64 - DTA64	Service kit Service kit	11 11 02



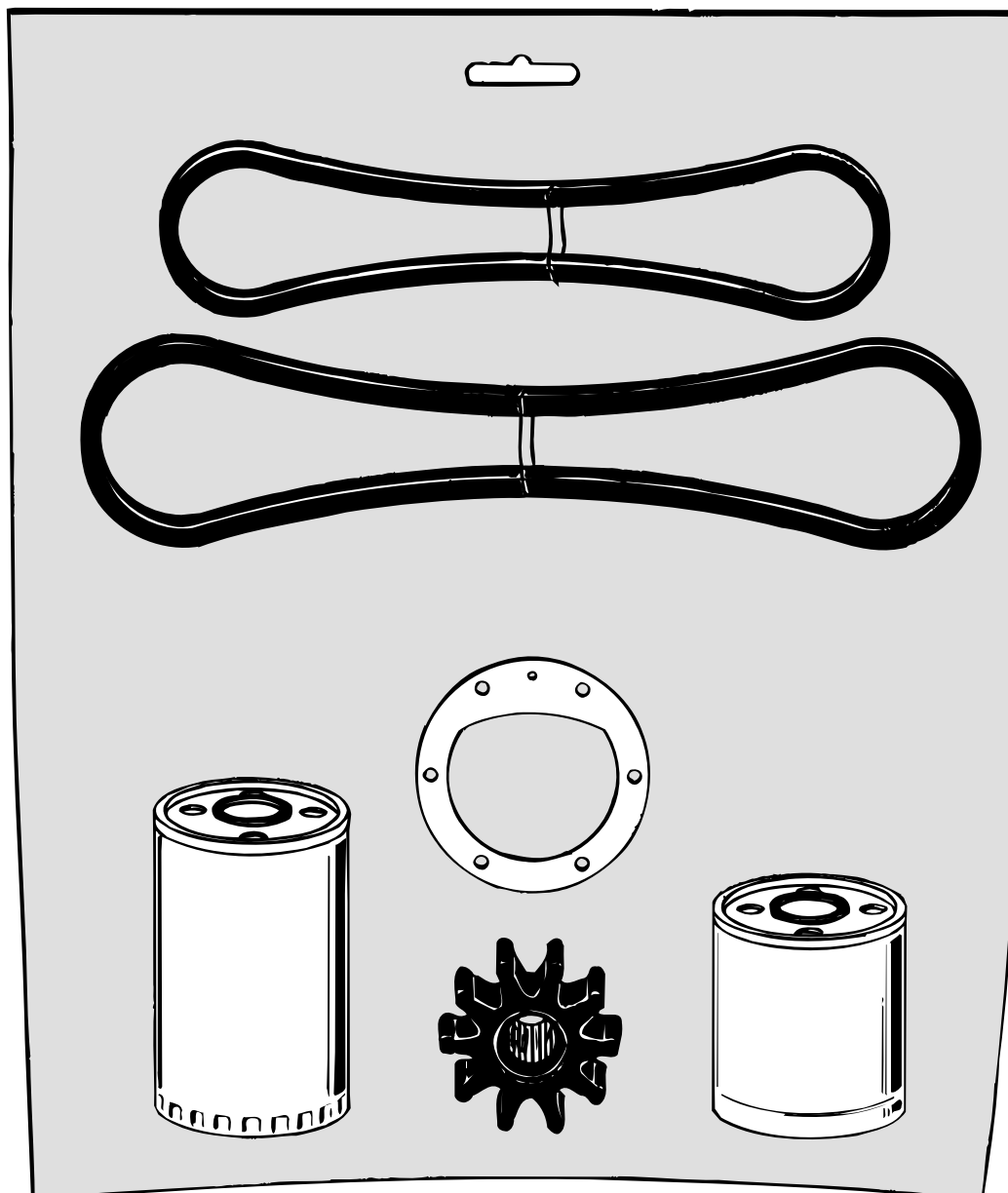
onderdelencatalogus parts catalogue



groep/ group 10	blz./ page 11	type DT64 - DTA64	omschrijving/description Service kit Service kit	datum/date 11 11 02
-----------------------	---------------------	----------------------	--	------------------------

pos.	qty	part	benaming	description
1	1	STM8250	Impeller + pakking	Impeller + gasket
2	1	VD60092	Brandstoffilter	Fuelfilter
3	1	VD20263	Oliefilter	Oilfilter
4	1	STM8293	V-snaar dynamo	V-belt alternator
5	1	STM1661	V-snaar water/br.st.pomp (10 mm)	V-belt water/fuel pump (10 mm)
6	1	STM9539	Service kit compleet (pos. 1 + 2 + 3 + 4 + 5)	Service kit cpl. (pos. 1 + 2 + 3 + 4 + 5)

groep/ group	blz./ page	type	omschrijving/description	datum/date
10	11	DT64 - DTA64	Service kit Service kit	11 11 02



A series of horizontal dotted lines for writing notes, spanning the width of the page.

Aantekeningen

Notes

A series of horizontal dotted lines for writing notes, spanning the width of the page.

vetus diesel
a division of ***vetus den oudem n.v.***

FOKKERSTRAAT 571 - 3125 BD SCHIEDAM - HOLLAND - TEL.: +31 (10) 4377700
FAX: +31 (10) 4621286 - 4373474 - 4153249 - 4372673 - E-MAIL: DIESEL@VETUS.NL