

# parts catalogue



# M4.55

Deze onderdelencatalogus bevat waardevolle informatie voor onderhoud en service aan uw motor.

Wij adviseren U, bij vervanging alleen originele **VETUS** onderdelen toe te passen.

Het typeplaatje bevat informatie over de typeaanduiding, het motornummer en de serie.

Gebruik deze informatie bij bestelling van onderdelen.

This parts' catalogue contains valuable information for maintenance and service over your engine.

For replacement, we recommend that you use only genuine **VETUS** parts.

The identification tag contains information about model, serial number and series.

Use this information when ordering parts.

---

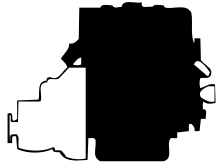
1



**Reserve kits**  
**Spare parts kit**

---

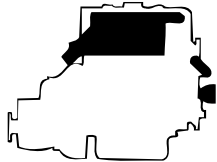
2



**Motor**  
**Engine**

---

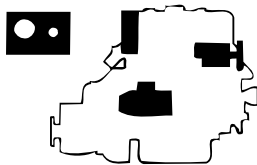
3



**Koeling**  
**Cooling**

---

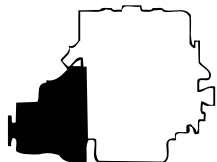
4



**Electra, bediening en instrumenten**  
**Electrics, controls, instruments**

---

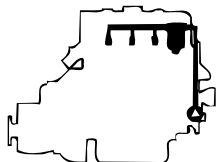
5



**Aandrijving**  
**Transmission**

---

6



**Brandstofsysteem**  
**Fuel system**

---

7

**Generator**  
**Generator**

---

8

**Gereedschappen**  
**Tools**

---

9

---

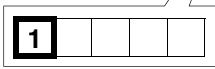
10

**Accessoires**  
**Optionals**

---

M4.15 MA.17		Servicekit	Service kit
pos.	qty.	benaming	description
1	1	STW0350	Brandstoffilter
2	1	STW0276	Injectiel - pakking zaaiesterpomp
3	1	STW0251	Oilfilter
4	1	STW0955	V-anset 50 A dynamo
5	1	STW0440	Service kit opt. 110 A dynamo

M4.15 MA.17 1-1

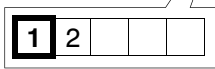


De volledige stuklijst staat op deze pagina.

The full parts list is shown on this page.

M4.15 MA.17		Motorblok	Engine block	
pos.	qty.	part	benaming	description
1	1	STM7942	Motorblok	Engine block
2	1	STM7956	Motorblok	Engine block
3	3	STM7743	Kap	Cap
4	3	STM7744	Kap	Cap
5	10	STM7745	Bout	Bolt
6	1	STM7746	Bus	Bush
7	1	STM827	Oscilator	Coil
8	1	STM7747	Kap	Cap
9	3	STM7748	Kap	Cap
10	1	STM7749	Plug	Plug
11	4	STM7750	Bus	Bush
12	2	STM8510	Bus	Bush

M4.15 MA.17 2-1

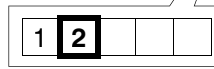


De stuklijst is verdeeld over 2 pagina's. Op deze pagina staat het **eerste** deel.

The parts list is spread over 2 pages. On this page the **first** part is shown.

M4.15 MA.17		Motorblok	Engine block	
pos.	qty.	part	benaming	description
13	1	STM8511	Bus	Bush
14	1	STM8509	Plug	Plug
15	1	STM7751	Pin	Pin
16	2	STM8482	Pin	Pin
17	1	STM7752	Ax	Shaft
18	1	STM7753	Rough	Bolt
19	1	STM754	Ax	Shaft
20	4	STM7755	Abschroef	Screw
21	1	STM7756	Ax	Shaft
22	2	STM7757	Pin	Pin
23	1	STM7758	Plug	Plug
24	1	STM8227	Kap	Cap

M4.15 MA.17 2-2



De stuklijst is verdeeld over 2 pagina's. Op deze pagina staat het **tweede** deel.

The parts list is spread over 2 pages. On this page the **second** part is shown.

# Inhoud Contents

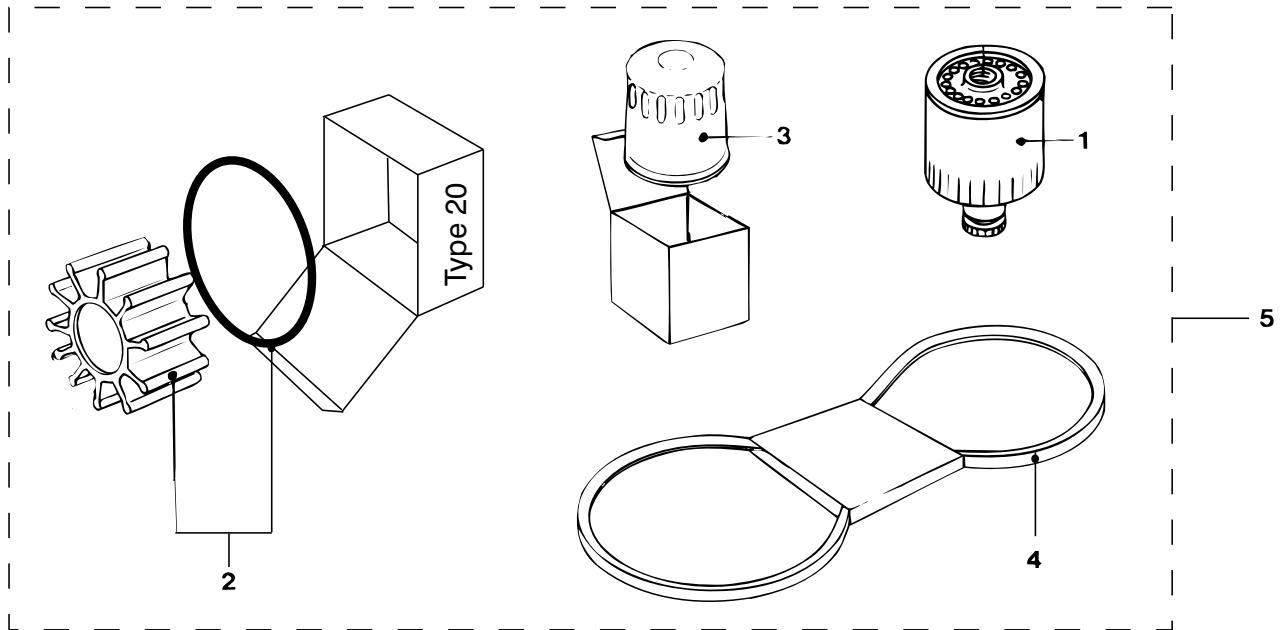
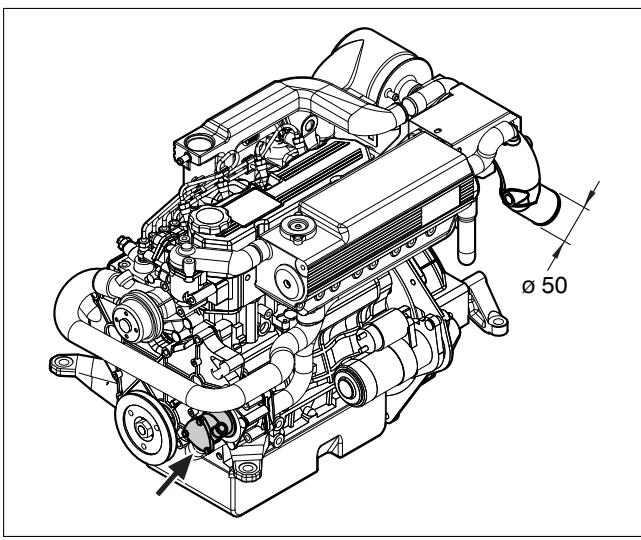
pag. page	type	omschrijving	description
1-1	M4.55	Servicekit	Service kit
1-2			
2-1	M4.55	Motorblok	Engine block
2-2	M4.55	Motorblok	Engine block
2-3	M4.55	Motorblok	Engine block
2-4	M4.55	Krukas + zuiger	Crankshaft + piston
2-5	M4.55	Krukas + zuiger	Crankshaft + piston
2-6	M4.55	Kleppen	Valves
2-7	M4.55	Kleppen	Valves
2-8	M4.55	Cilinderkop	Cylinder head
2-9	M4.55	Kleppendecksel + nokkenas	Rocker cover + camshaft
2-10	M4.55	PTO	PTO
2-11	M4.55	PTO	PTO
2-12	M4.55	Carterpan + oliepomp	Oil pan + oil pump
2-13	M4.55	Oliekoeler 06-2009 <-	Oil cooler 06-2009 <-
2-14	M4.55	Oliekoeler 06-2009 ->	Oil cooler 06-2009 ->
2-15	M4.55	Oliepeilstok	Oil dipstick
2-16	M4.55	Luchtinlaat	Air intake
2-17	M4.55	Revisie pakkingset	Overhaul gasket kit
2-18	M4.55	Revisie pakkingset	Overhaul gasket kit
2-19	M4.55	Motorsteunen	Engine supports
2-20	M4.55	Turbocompressor	Turbo compressor
2-21	M4.55	Turbocompressor	Turbo compressor
2-22			
3-1	M4.55	Circulatiepomp	Circulation pump
3-2	M4.55	Warmtewisselaar unit	Heat exchanger unit
3-3	M4.55	Kielkoelspruitstuk	Keel cooler manifold
3-4	M4.55	Kielkoelspruitstuk	Keel cooler manifold
3-5	M4.55	Aansluiting circulatiepomp, kielkoeling	Connection of circulation pump, keel cooling
3-6	M4.55	Thermostaathuis	Thermostat housing
3-7	M4.55	Slangen - koelsysteem, binnenwater 06-2009 <-	Hoses - cooling system, coolant 06-2009 <-
3-8	M4.55	Slangen - koelsysteem, binnenwater 06-2009 ->	Hoses - cooling system, coolant 06-2009 ->
3-9	M4.55	Slangen - koelsysteem, buitenwater, zeewaterpomp type 20	Hoses - cooling system, raw water, sea water pump type 20
3-10	M4.55	Slangen - koelsysteem, buitenwater, zeewaterpomp type 40	Hoses - cooling system, raw water, sea water pump type 40
3-11	M4.55	Turbo smeerolie	Turbo lubricating oil
3-12	M4.55	Luchtinlaatkast	Air intake housing
3-13	M4.55	Luchtfilter	Air cleaner
3-14	M4.55	Zeewaterpomp type 20	Seawater pump type 20

pag. page	type	omschrijving	description
3-15	M4.55	Zeewaterpomp type 40	Seawater pump type 40
3-16			
4-1	M4.55	Startmotor	Starter motor
4-2	M4.55	Dynamo	Alternator
4-3	M4.55	Motorbedrading en tussenkabels	Engine wiring and intermediate cables
4-4	M4.55	Tweede dynamo 12 V - 75 A, 1p., Interkoeling	Extension alternator 12 V - 75 A, 1p., Inter cooling
4-5	M4.55	Tweede dynamo 12 V - 75 A, 1p., Interkoeling	Extension alternator 12 V - 75 A, 1p., Inter cooling
4-6	M4.55	Tweede dynamo 12 V - 110 A, 1p., kielkoeling	Extension alternator 12 V - 110 A, 1p., keel cooling
4-7	M4.55	Tweede dynamo 12 V - 110 A, 1p., kielkoeling	Extension alternator 12 V - 110 A, 1p., keel cooling
4-8	M4.55	Zenders + schakelaars	Sender units + switches
4-9	M4.55	Instrumenten paneel '22' standaard	Instrument panel '22' standard
4-10	M4.55	Instr. paneel model '22' voor motor met 2 <sup>e</sup> dynamo, kielkoeling	Instr. panel model '22' for engine with 2nd alternator, keel cooling
4-11	M4.55	Instr. paneel model '34'	Instr. panel model '34'
4-12	M4.55	Instr. paneel model '34'	Instr. panel model '34'
4-13	M4.55	Instr. paneel model '34'	Instr. panel model '34'
4-14	M4.55	Instr. paneel model '34' voor motor met 2 <sup>e</sup> dynamo, kielkoeling	Instr. panel model '34' for engine with 2nd alternator, keel cooling
4-15	M4.55	Bediening, GAS	Controls, THROTTLE
4-16	M4.55	Bediening, KEERKOPPELING	Controls, GEARBOX
5-1	M4.55	Vliegwielhuis TMC60	Flywheel housing TMC60
5-2	M4.55	Vliegwielhuis TM345(A)	Flywheel housing TM345(A)
5-3	M4.55	Vliegwielhuis ZF25 (A)	Flywheel housing ZF25 (A)
5-4	M4.55	Oliekoeler keerkoppeling	Oil cooler gearbox
6-1	M4.55	Regulateur	Regulator
6-2	M4.55	Regulateur	Regulator
6-3	M4.55	Brandstofleidingen	Fuel pipes
6-4	M4.55	Brandstofpomp	Fuel pump
6-5	M4.55	Verstuiverhouder	Nozzle holder
6-6	M4.55	Brandstoffilter	Fuel filter
6-7	M4.55	Brandstoffilter	Fuel filter
6-8	M4.55	Brandstoffilter	Fuel filter
10-1	M4.55	Verloopset saildrive 110S	Adaptor kit saildrive 110S
10-2	M4.55	Verloopset saildrive 120S	Adaptor kit saildrive 120S
10-3	M4.55	Verloopset saildrive 120SB	Adaptor kit saildrive 120SB
10-4	M4.55	Saildrive ZF SD10	Saildrive ZF SD10
10-5	M4.55	Saildrive ZF SD10	Saildrive ZF SD10
10-6	M4.55	Saildrive ZF SD10	Saildrive ZF SD10
10-7	M4.55	Boileraansluiting, interkoeling, 06-2009 <-	Calorifier connection, inter cooling, 06-2009 <-
10-8	M4.55	Boileraansluiting, interkoeling, 06-2009 ->	Calorifier connection, inter cooling, 06-2009->
10-9	M4.55	Boileraansluiting, kielkoeling	Calorifier connection, keel cooling
10-10			

pag. page	type	omschrijving	description
		Register	Index





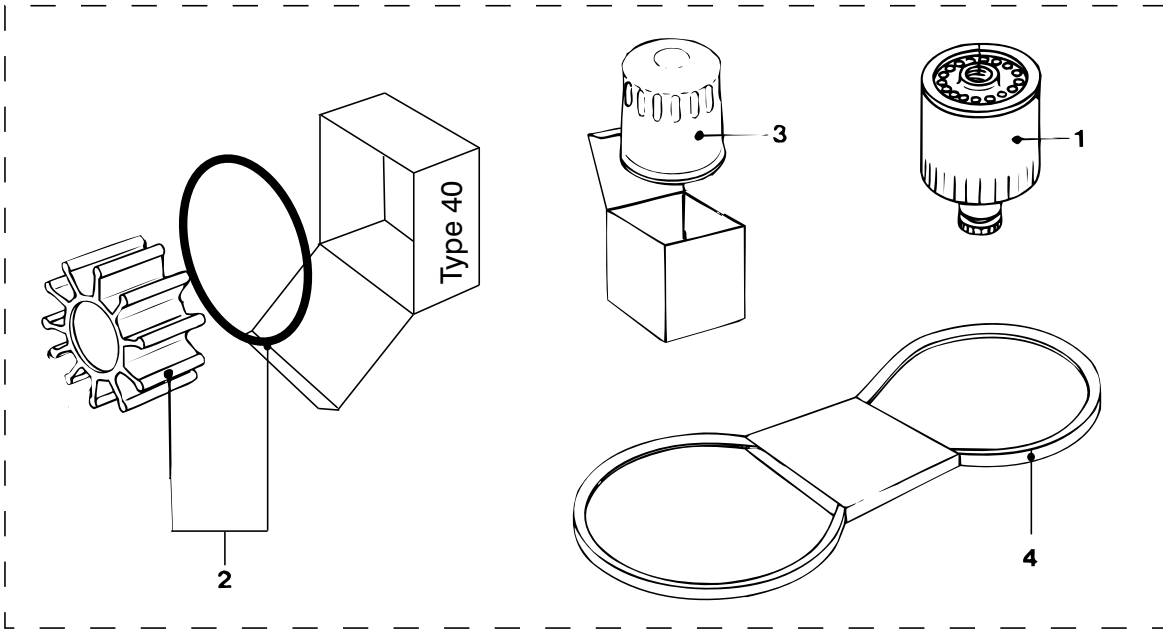
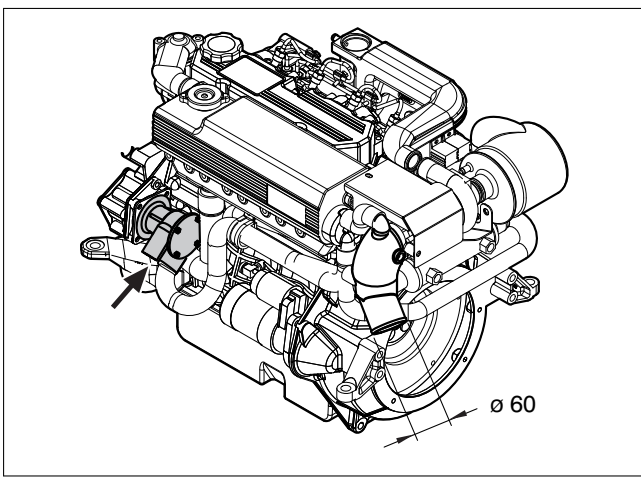


**M4.55**

**Servicekit,  
voor zeewaterpomp type 20**

**Service kit,  
for sea water pump type 20**

pos.	qty	part	benaming	description
1	1	STM3690	Brandstoffilter	Fuel filter
2	1	STM7464	Impeller + O-ring zeewaterpomp type 20	Impeller + O-ring seawater pump type 20
3	1	STM0051	Oliefilter	Oil filter
4	1	STM7643	V-snaar voor 110 A standaard dynamo	V-belt for 110 A standard alternator
		1 STM9858	V-snaar voor 110 A tweede dynamo	V-belt for 110 A second alternator
		1 STM9857	V-snaar voor 75 A tweede dynamo	V-belt for 75 A second alternator
5	1	STM9471	Service kit cpl. 110 A dynamo	Service kit cpl. 110 A alternator
		1 STM9472	Service kit cpl. 110 A + 110 A dynamo	Service kit cpl. 110 A + 110 A alternator
		1 STM9473	Service kit cpl. 110 A + 75 A dynamo	Service kit cpl. 110 A + 75 A alternator

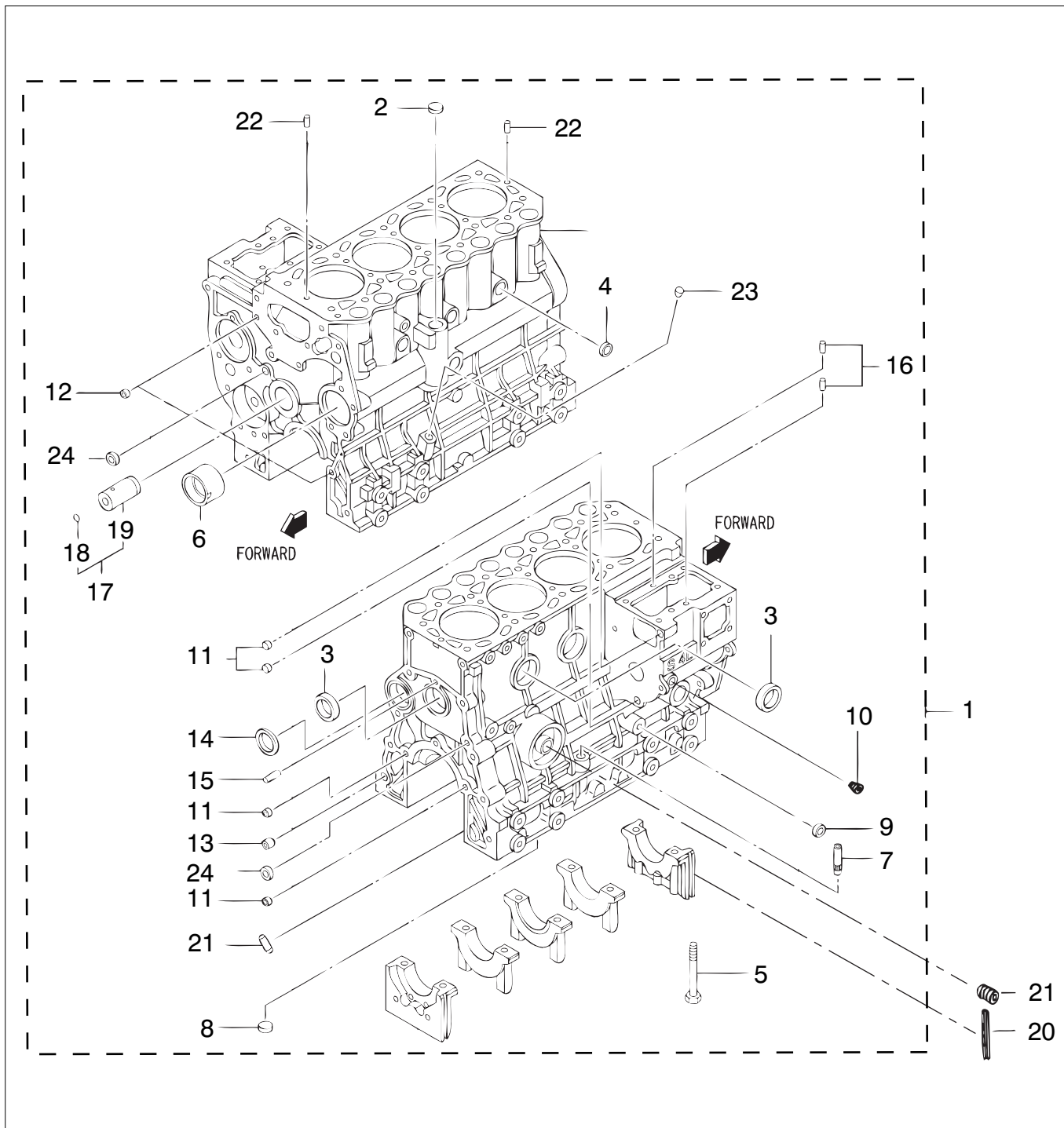


**M4.55**

**Servicekit,  
voor zeewaterpomp type 40**

**Service kit,  
for sea water pump type 40**

pos.	qty	part	benaming	description
1	1	STM3690	Brandstoffilter	Fuel filter
2	1	08-01026	Impeller + O-ring zeewaterpomp type 40	Impeller + O-ring seawater pump type 40
3	1	STM0051	Oliefilter	Oil filter
4	1	STM7643	V-snaar voor 110 A standaard dynamo	V-belt for 110 A standard alternator
		1 STM9858	V-snaar voor 110 A tweede dynamo	V-belt for 110 A second alternator
		1 STM9857	V-snaar voor 75 A tweede dynamo	V-belt for 75 A second alternator
5	1	08-01027	Service kit cpl. 110 A dynamo	Service kit cpl. 110 A alternator
		1 08-01028	Service kit cpl. 110 A + 110 A dynamo	Service kit cpl. 110 A + 110 A alternator
		1 08-01029	Service kit cpl. 110 A + 75 A dynamo	Service kit cpl. 110 A + 75 A alternator

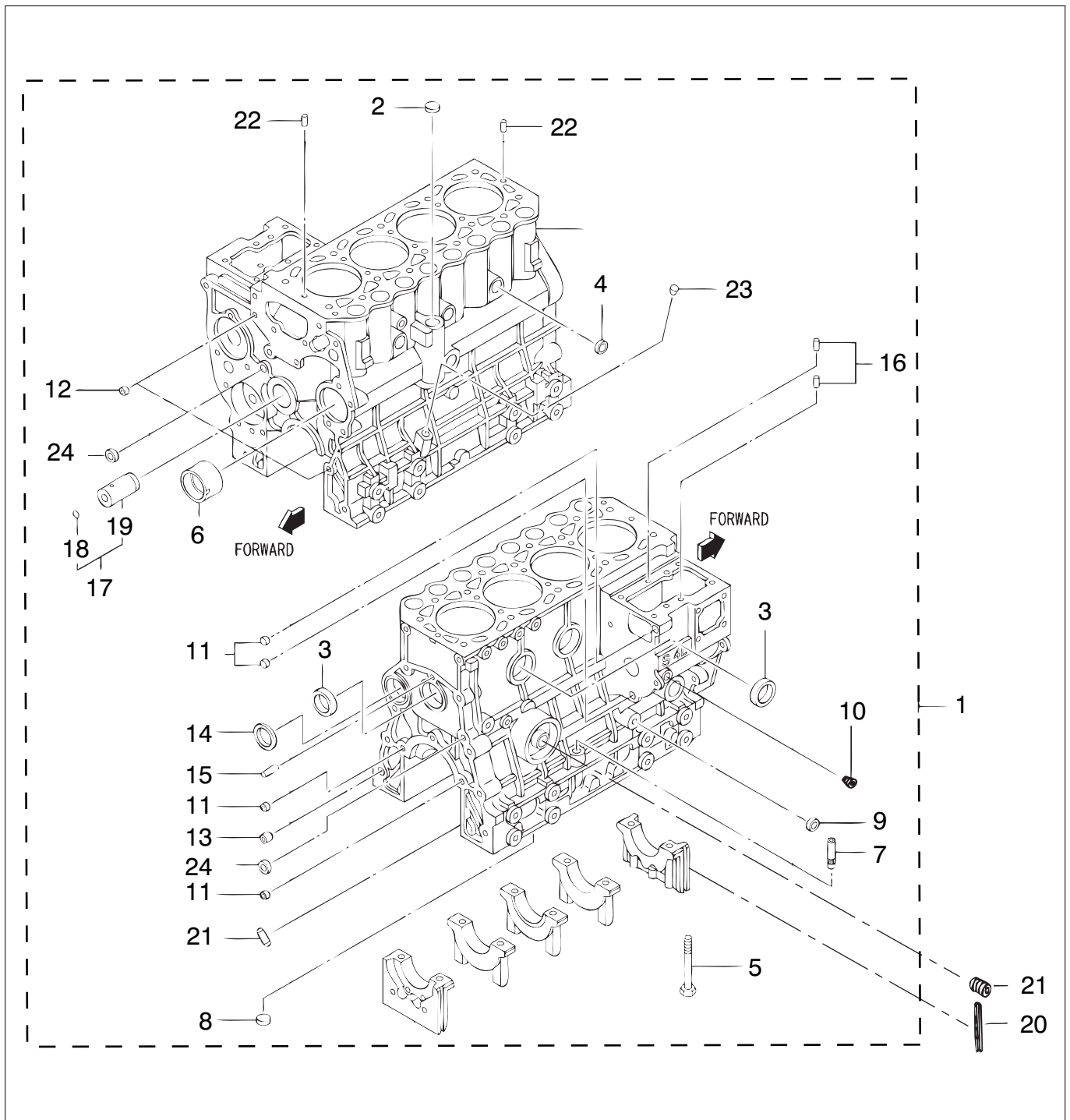


M4.55

Motorblok

Engine block

pos.	qty	part	benaming	description
1	1	STM9987	Motorblok	Engine block
2	1	STM2537	Kap	Cap
3	3	STM7743	Kap	Cap
4	3	STM7744	Kap	Cap
5	10	STM7745	Bout	Bolt
6	1	STM7746	Bus	Bush
7	1	STM3387	Geleider	Guide
8	1	STM7747	Kap	Cap
9	1	STM7748	Kap	Cap
10	1	STM7749	Plug	Plug
11	4	STM7750	Bus	Bush
12	2	STM2510	Bus	Bush

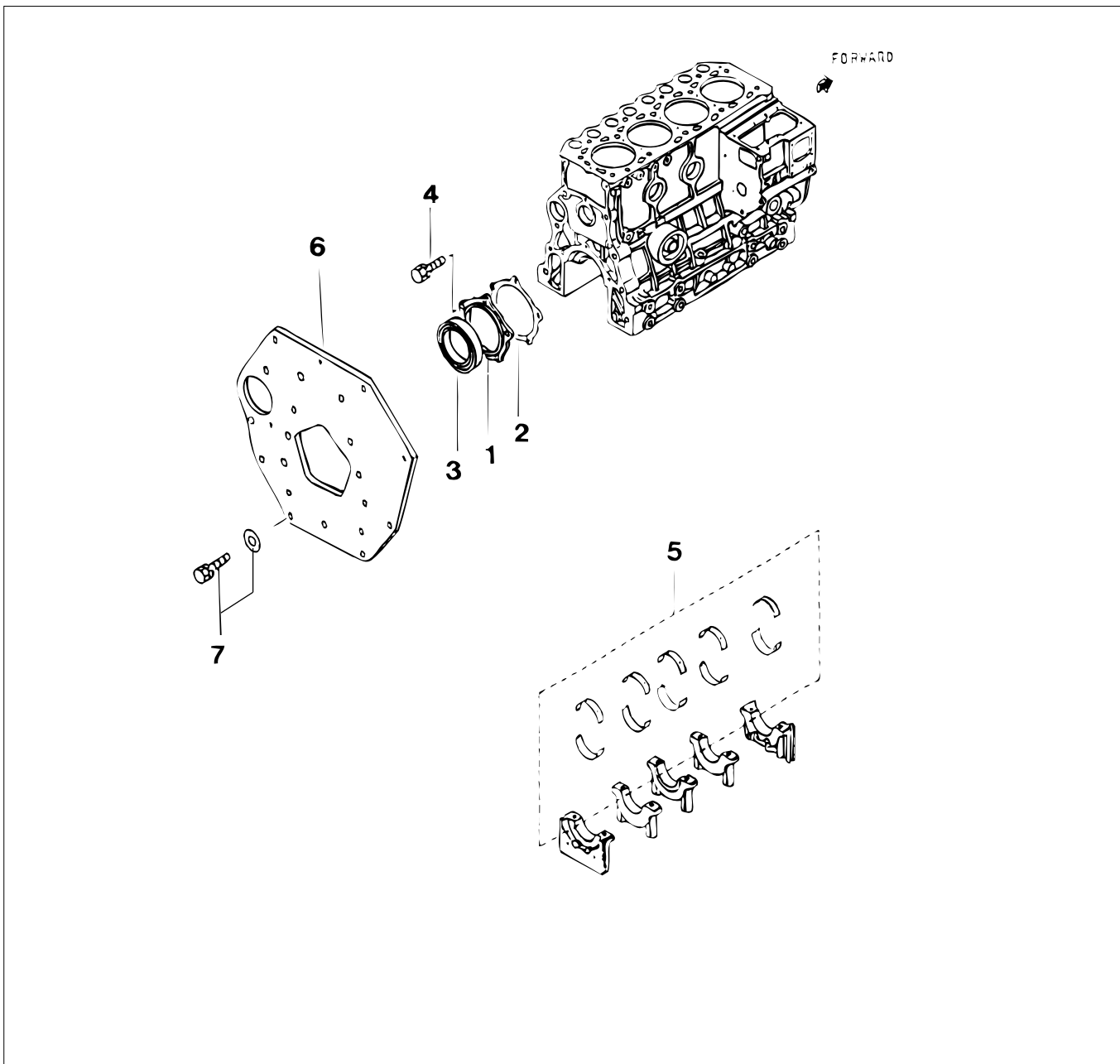


M4.55

Motorblok

Engine block

pos.	qty	part	benaming	description
13	1	STM2511	Bus	Bush
14	1	STM2508	Plug	Plug
15	1	STM7751	Pen	Pin
16	2	STM2492	Pen	Pin
17	1	STM7752	As	Shaft
18	1	STM7753	Kogel	Ball
19	1	STM7754	As	Shaft
20	4	STM7755	Afdichting	Seal
21	1	STM9902	Oliestraalpijp	Oil jet pipe
22	2	STM7757	Pen	Pin
23	1	STM7758	Plug	Plug
24	2	STM9477	Plug	Plug

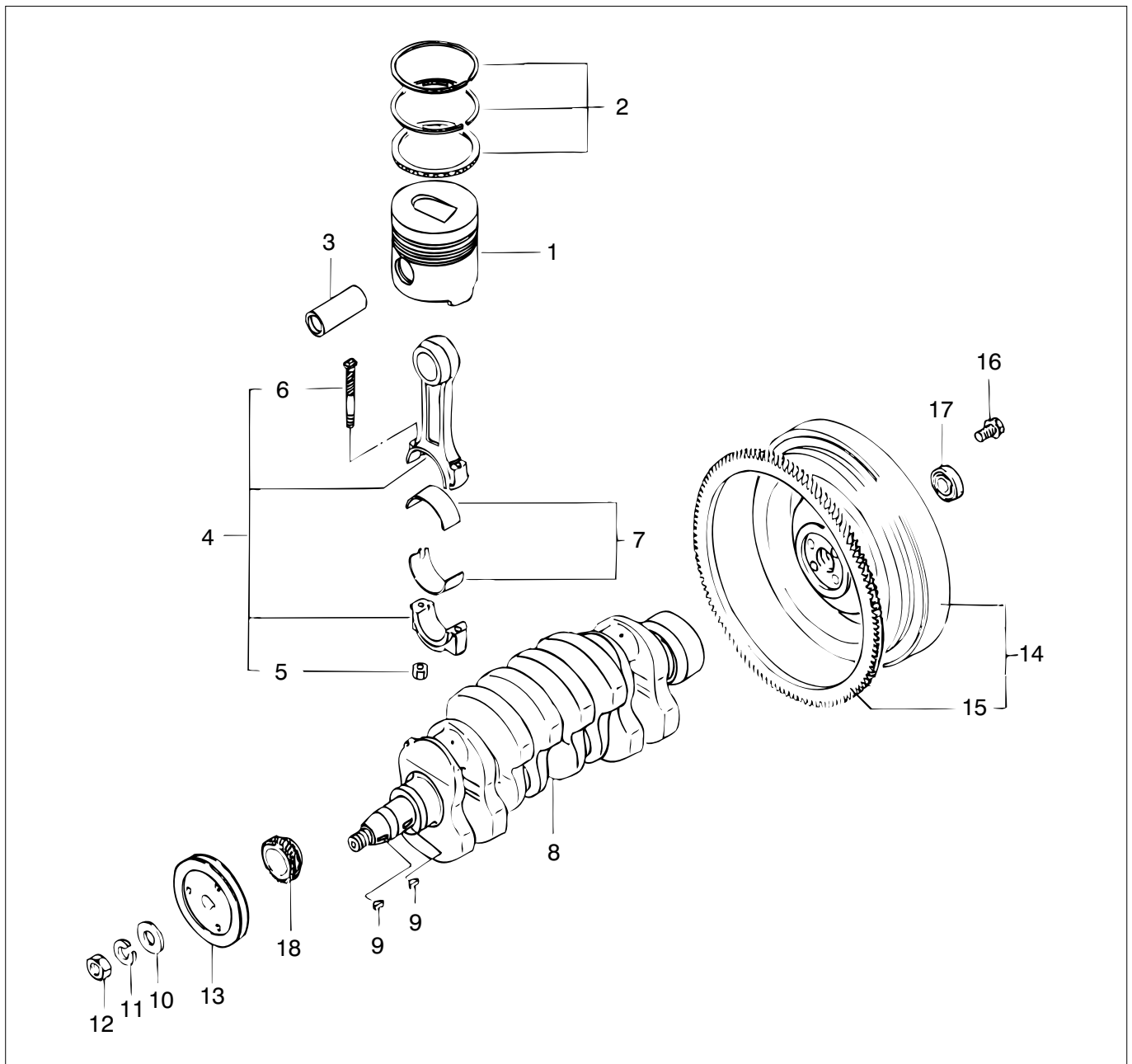


**M4.55**

**Motorblok**

**Engine block**

pos.	qty	part	benaming	description
1	1	STM7760	Huis	Case
2	1	STM7761	Pakking	Gasket
3	1	STM7762	Afdichting	Seal
4	5	STM7763	Bout	Bolt
5	1	STM9988	Lagerset std.	Bearing kit std.
		1 STM9989	Lagerset 0,25	Bearing kit 0.25
		1 STM9990	Lagerset 0,50	Baering kit 0.50
		1 STM9991	Lagerset 0,75	Bearing kit 0.75
6	1	STM7767	Achterplaat	Rear plate
7	6	STM7769	Bout + Ring	Bolt + Washer

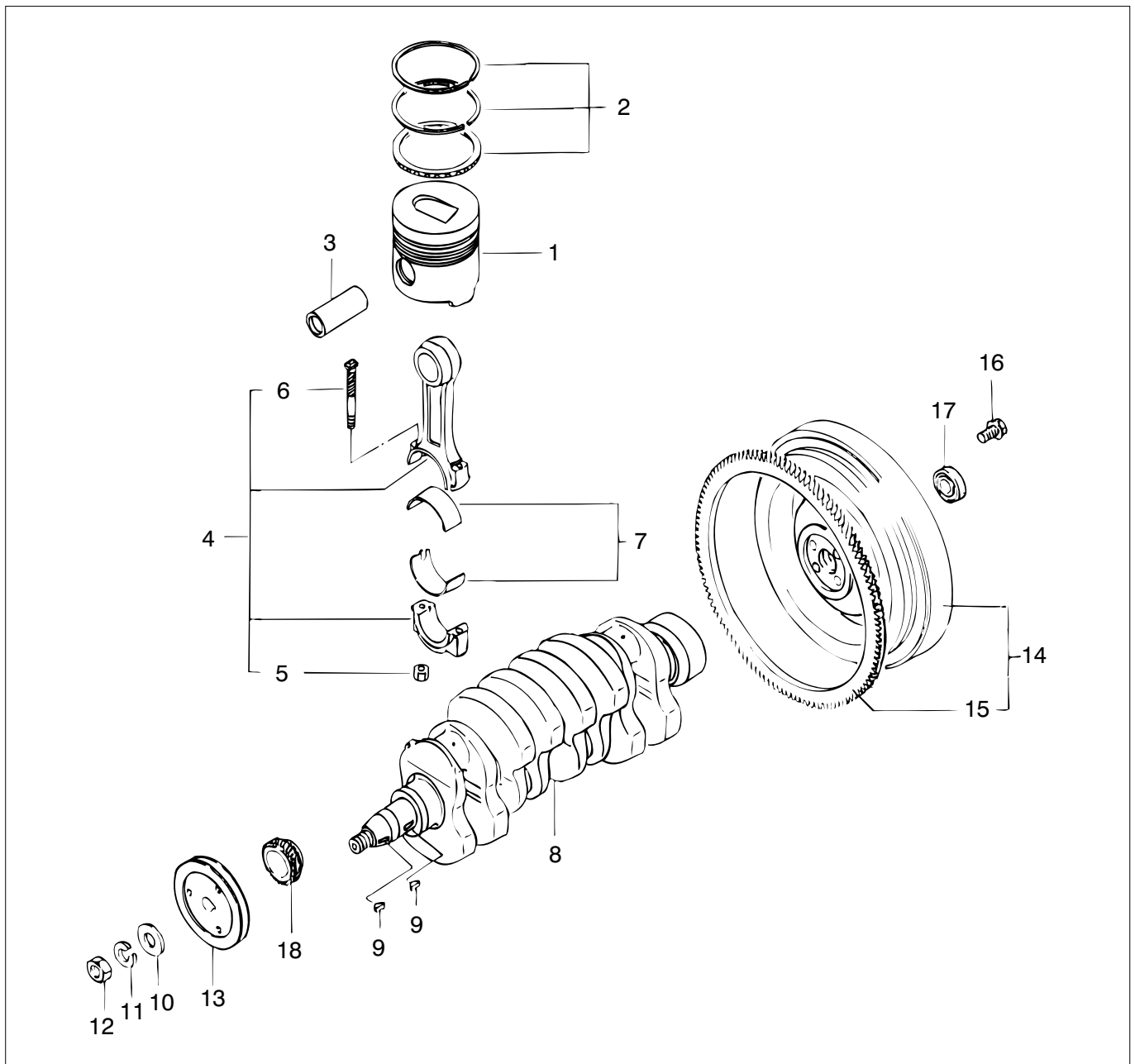


**M4.55**

**Krukas + zuiger**

**Crankshaft + piston**

pos.	qty	part	benaming	description
1	4	STM9992	Zuiger std.	Piston std.
	4	STM9993	Zuiger 0,25	Piston 0.25
	4	STM9994	Zuiger 0,50	Piston 0.50
2	4	STM9995	Ringen set std.	Ring set std.
	4	STM9996	Ringen set 0,25	Ring set 0.25
	4	STM9997	Ringen set 0,50	Ring set 0.50
3	4	STM7793	Zuigerpen	Piston pin
4	4	STM7794	Drijfstang cpl.	Rod cpl.
5	8	STM7795	Moer	Nut
6	8	STM7796	Bout	Bolt
7	4	STM7799	Lagerset std.	Bearing set std
	4	STM7800	Lagerset 0,25	Bearing set 0.25
	4	STM7801	Lagerset 0,50	Bearing set 0.50
	4	STM7802	Lagerset 0,75	Bearing set 0.75
8	1	STM7803	Krukas	Crankshaft
9	2	STM2569	Spie	Key

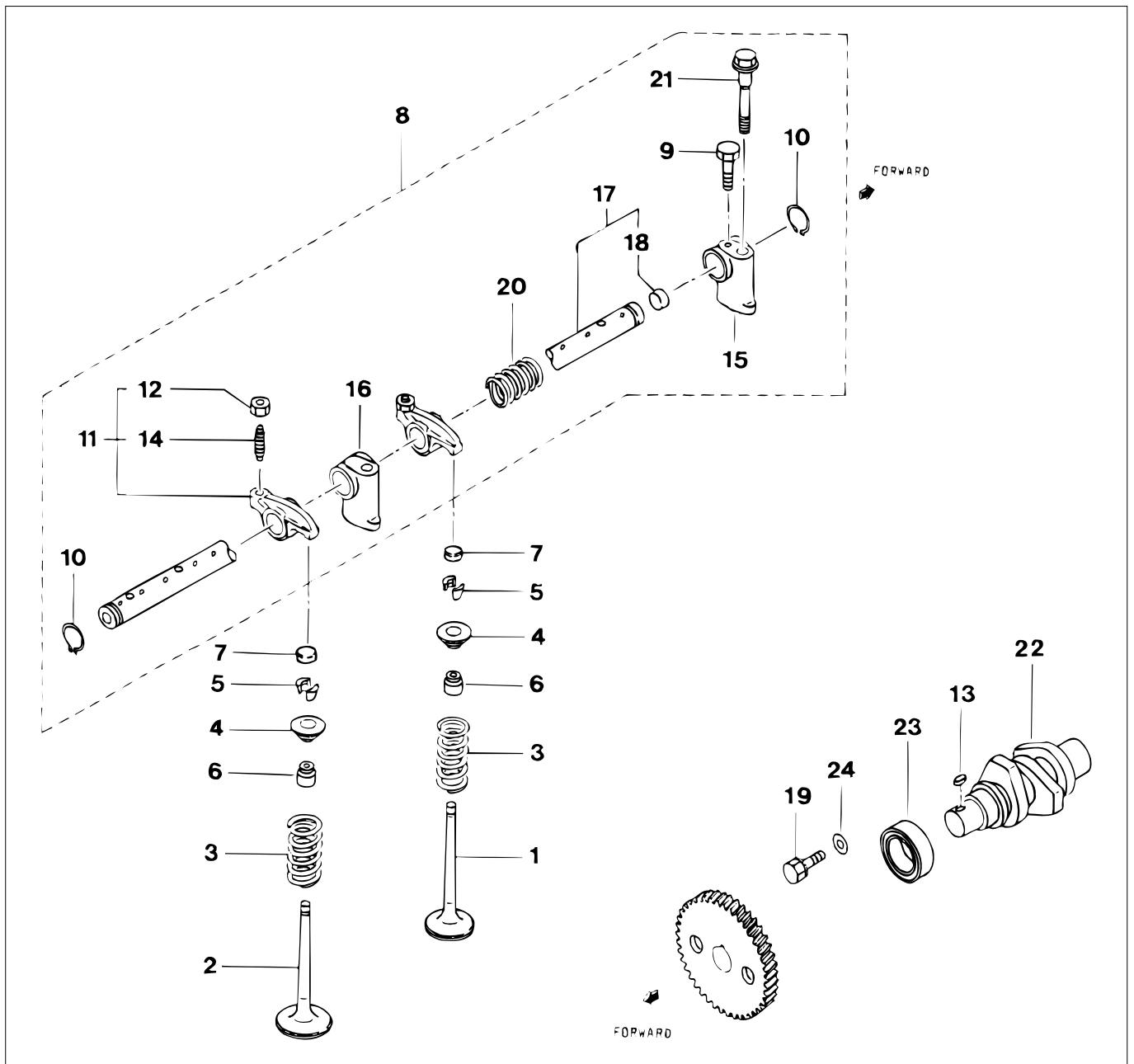


**M4.55**

**Krukas + zuiger**

**Crankshaft + piston**

pos.	qty	part	benaming	description
10	1	STM7804	Ring	Washer
11	1	STM7805	Ring	Washer
12	1	STM7806	Moer	Nut
13	1	STM7807	Snaarschijf	Pulley
14	1	STM7809	Vlieg wiel + krans	Flywheel + gear ring
15	1	STM7810	Starterkrans	Gear ring
16	4	STM3448	Bout	Bolt
17	1	STM2574	Lager	Bearing
18	1	STM7812	Tandwiel	Gear



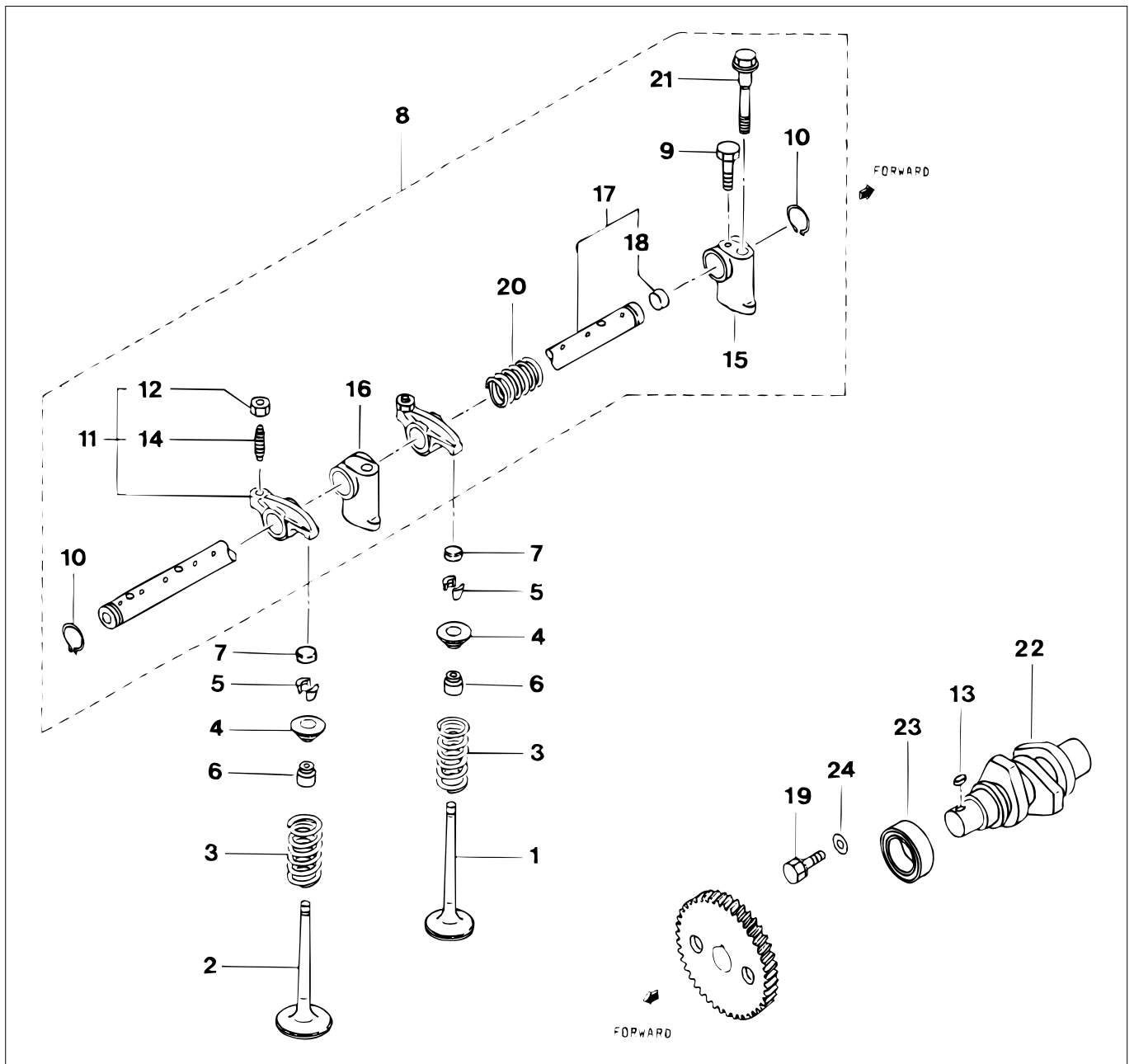
**M4.55**

**Kleppen**

**Valves**

pos.	qty	part	benaming	description
1	4	STM7712	Inlaatklep	Inlet valve
2	4	STM7713	Uitlaatklep	Exhaust valve
3	8	STM7714	Veer	Spring
4	8	STM7715	Veerschotel	Retainer valve spring
5	16	STM2588	Klepspie	Lock valve retainer
6	8	STM2589	Ring	Washer
7	8	STM7716	Kap	Cap
8	8	STM7717	Tuimelaaras	Rockershaft
9	1	STM7718	Bout	Bolt
10	2	STM2603	Borgveer	Ring snap
11	8	STM7719	Stelbout cpl.	Bolt cpl.
12	8	STM7720	Moer	Nut
13	1	STM7730	Spie	Key
14	8	STM7721	Stelbout	Bolt
15	1	STM7722	Steun	Bracket
16	3	STM7723	Steun	Bracket



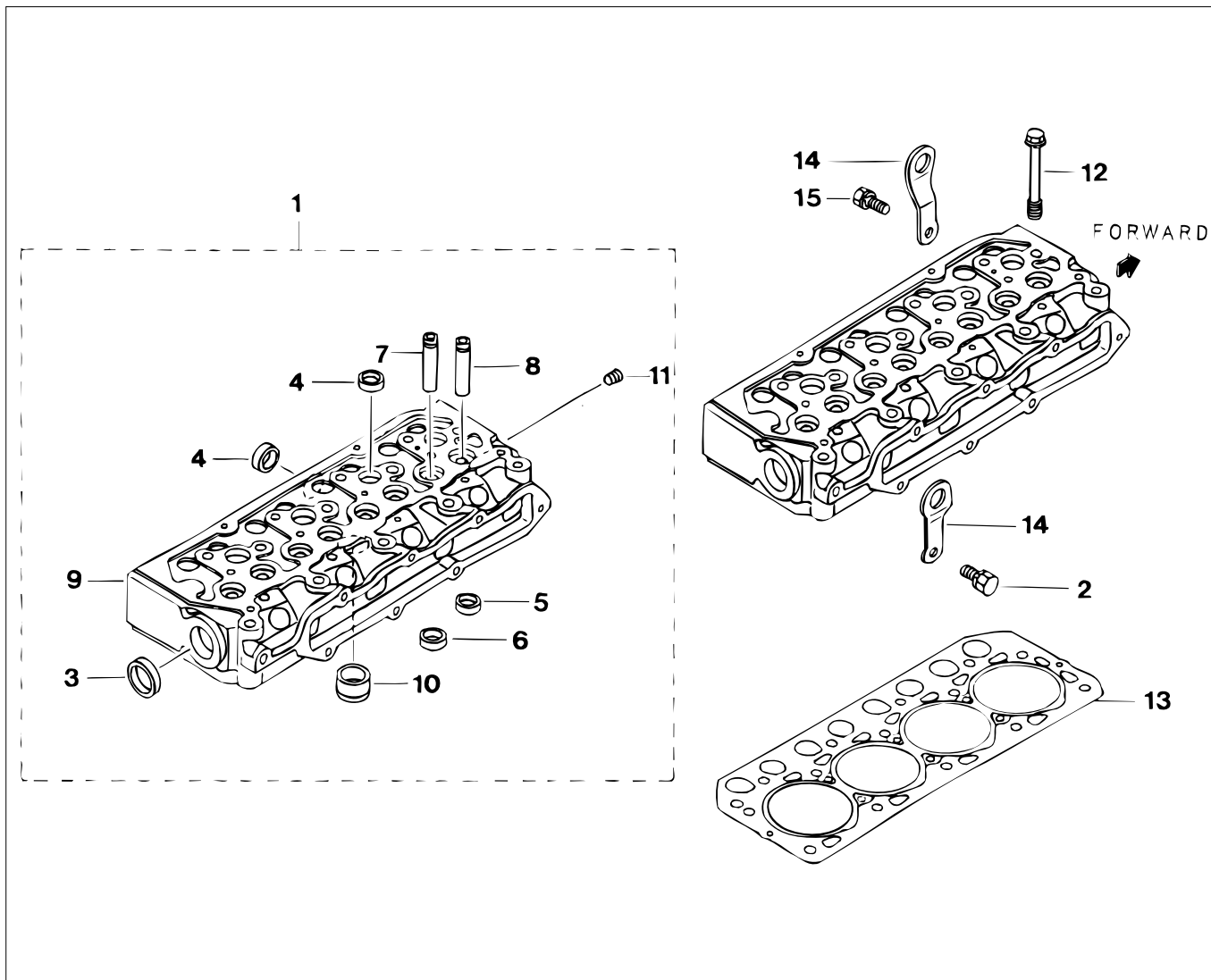


**M4.55**

**Kleppen**

**Valves**

pos.	qty	part	benaming	description
17	1	STM7724	As	Shaft
18	2	STM7725	Kap	Cap
19	1	STM7731	Bout	Bolt
20	3	STM7727	Veer	Spring
21	4	STM7728	Bout	Bolt
22	1	STM7729	As (brandstofpomp)	Shaft (fuel inj. pump)
23	1	STM2583	Lager	Bearing
24	1	STM2580	Ring	Washer

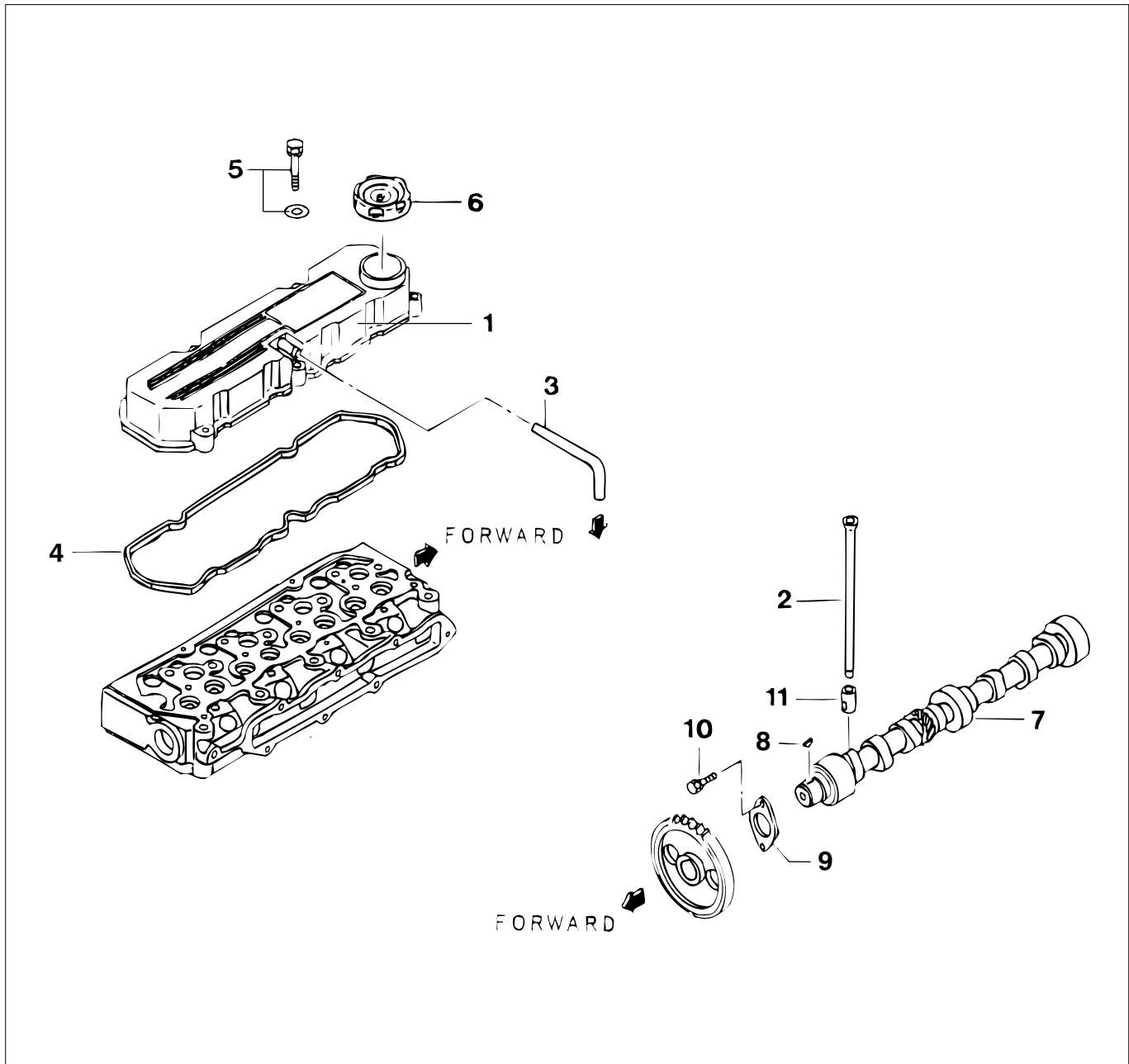


**M4.55**

**Cilinderkop**

**Cylinder head**

pos.	qty	part	benaming	description
1	1	STM9901	Cilinderkop cpl.	Cylinder head cpl.
2	2	STM7711	Bout	Bolt
3	1	STM7702	Kap	Cap
4	7	STM7414	Kap	Cap
5	4	STM7959	Inlaatklep zitting	Inlet seal valve
6	4	STM7960	Uitlaatklep zitting	Exhaust seal valve
7	4	STM7704	Klep geleider uitlaat	Guide exhaust valve
8	4	STM7705	Klep geleider inlaat	Guide inlet valve
9	1	STM7961	Cilinderkop	Cylinder head
10	4	STM9986	Bus	Bush
11	1	STM7707	Plug	Plug
12	14	STM7708	Bout, cilinderkop	Bolt, cylinder head
13	1	STM7709	Pakking	Gasket
14	2	STM7710	Hijsoog	Lifting eye

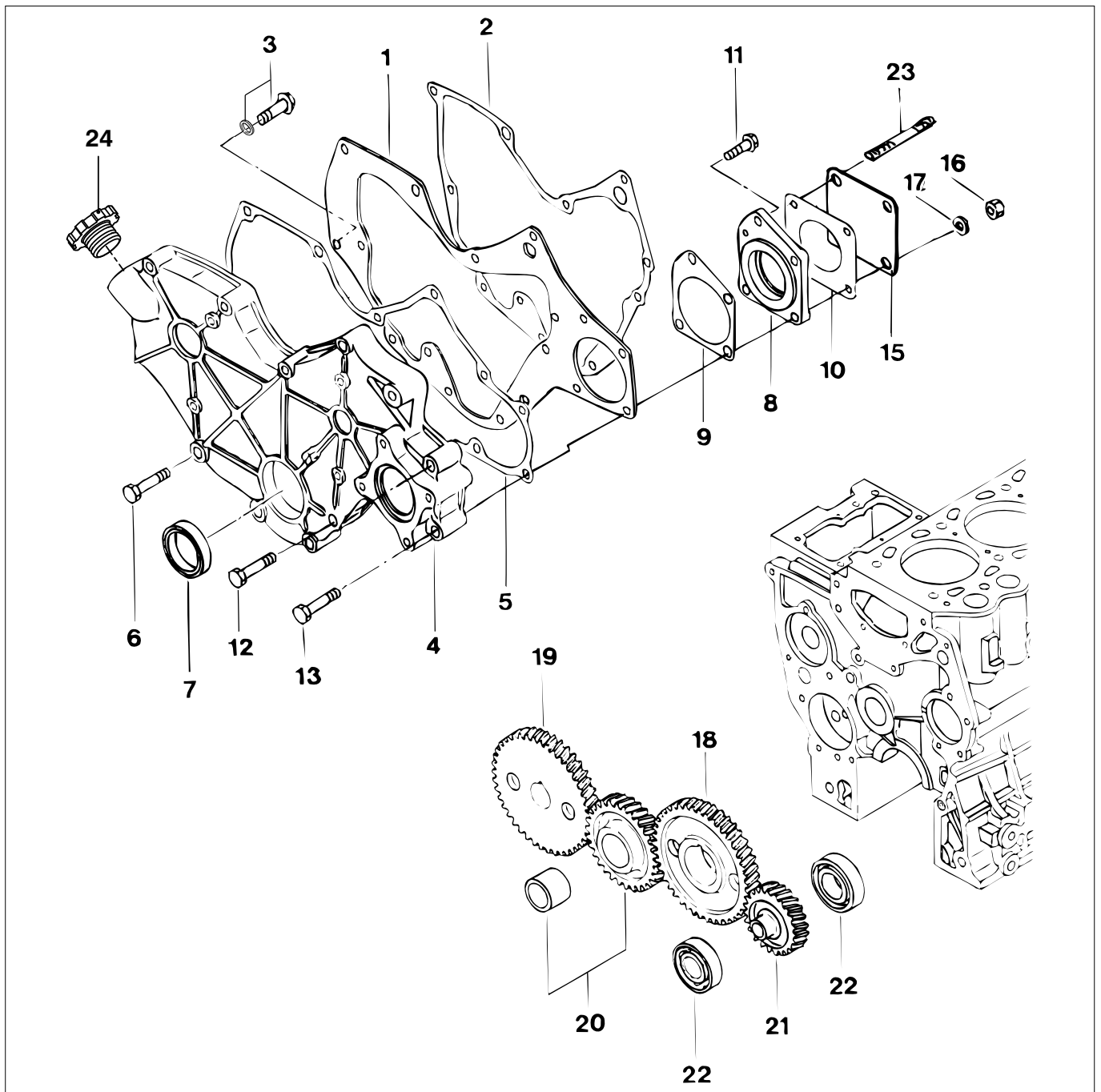


**M4.55**

**Kleppendeksel + nokkenas**

**Rocker cover + camshaft**

pos.	qty	part	benaming	description
1	1	STM7732	Kleppendeksel	Rocker cover
2	4	STM7740	Stoterstang	Rod
3	1	STM7483	Slang	Hose
4	1	STM7734	Pakking	Gasket
5	5	STM7736	Bout + Ring	Bolt + Washer
6	1	STM2532	Dop	Cap
7	1	STM7737	Nokkenas	Cam shaft
8	1	STM2579	Spie	Key
9	1	STM7738	Plaat	Plate
10	2	STM7739	Bout	Bolt
11	8	STM2591	Klepstoter	Tappet

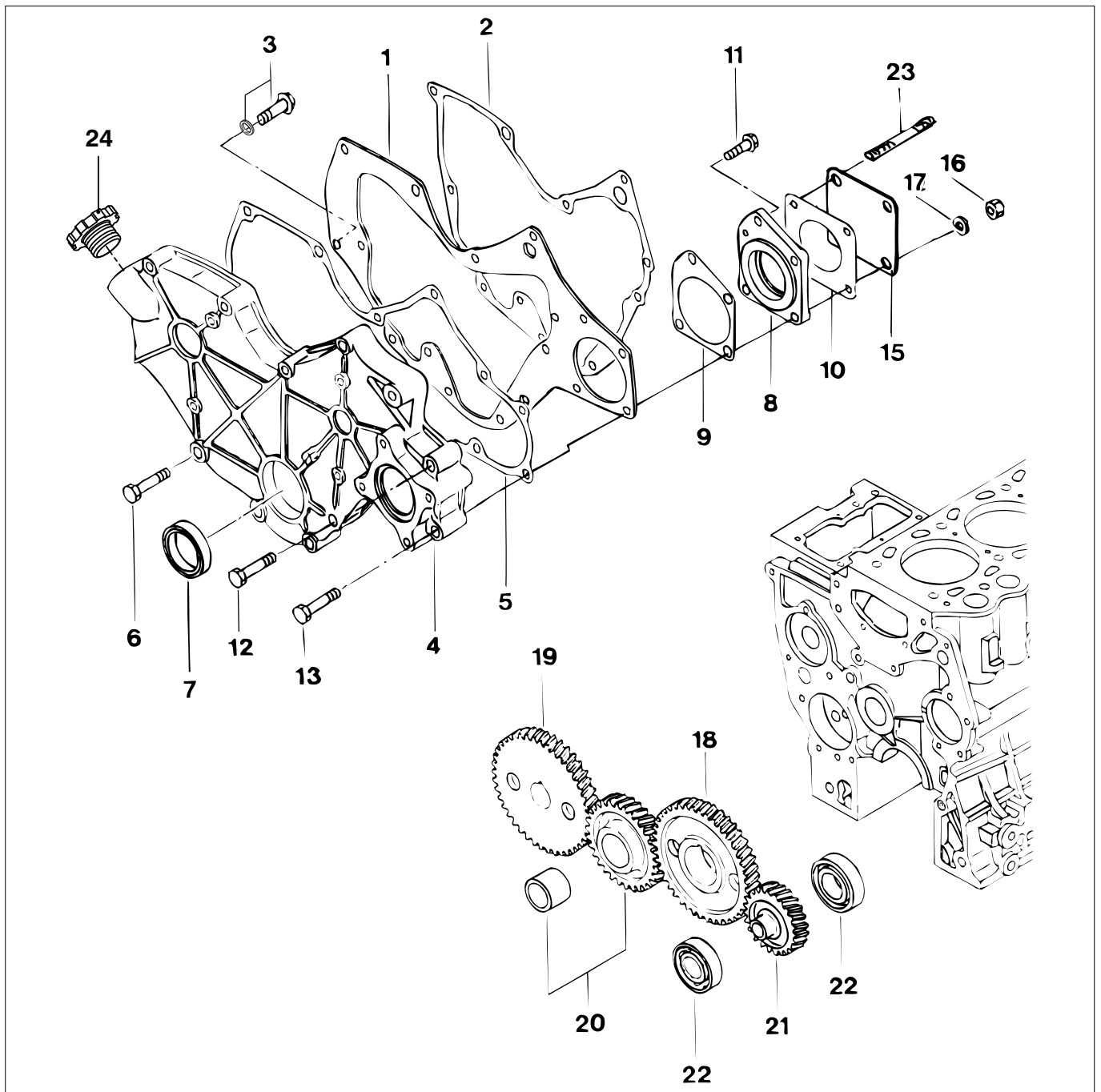


M4.55

PTO

PTO

pos.	qty	part	benaming	description
1	1	STM7770	Plaat	Plate
2	1	STM7771	Pakking	Gasket
3	5	STM7772	Bout + Ring	Bolt + Washer
4	1	STM7773	Deksel	Cover
5	2	STM7774	Pakking	Gasket
6	8	STM2528	Bout	Bolt
7	1	STM2527	Keerring	Seal
8	1	STM7776	Huis	Case
9	1	STM7777	Pakking	Gasket
10	2	STM2526	Pakking	Gasket
11	1	STM7778	Bout	Bolt
12	1	STM7779	Bout	Bolt
13	1	STM7779	Bout	Bolt
14	2	STM7781	Bout	Bolt

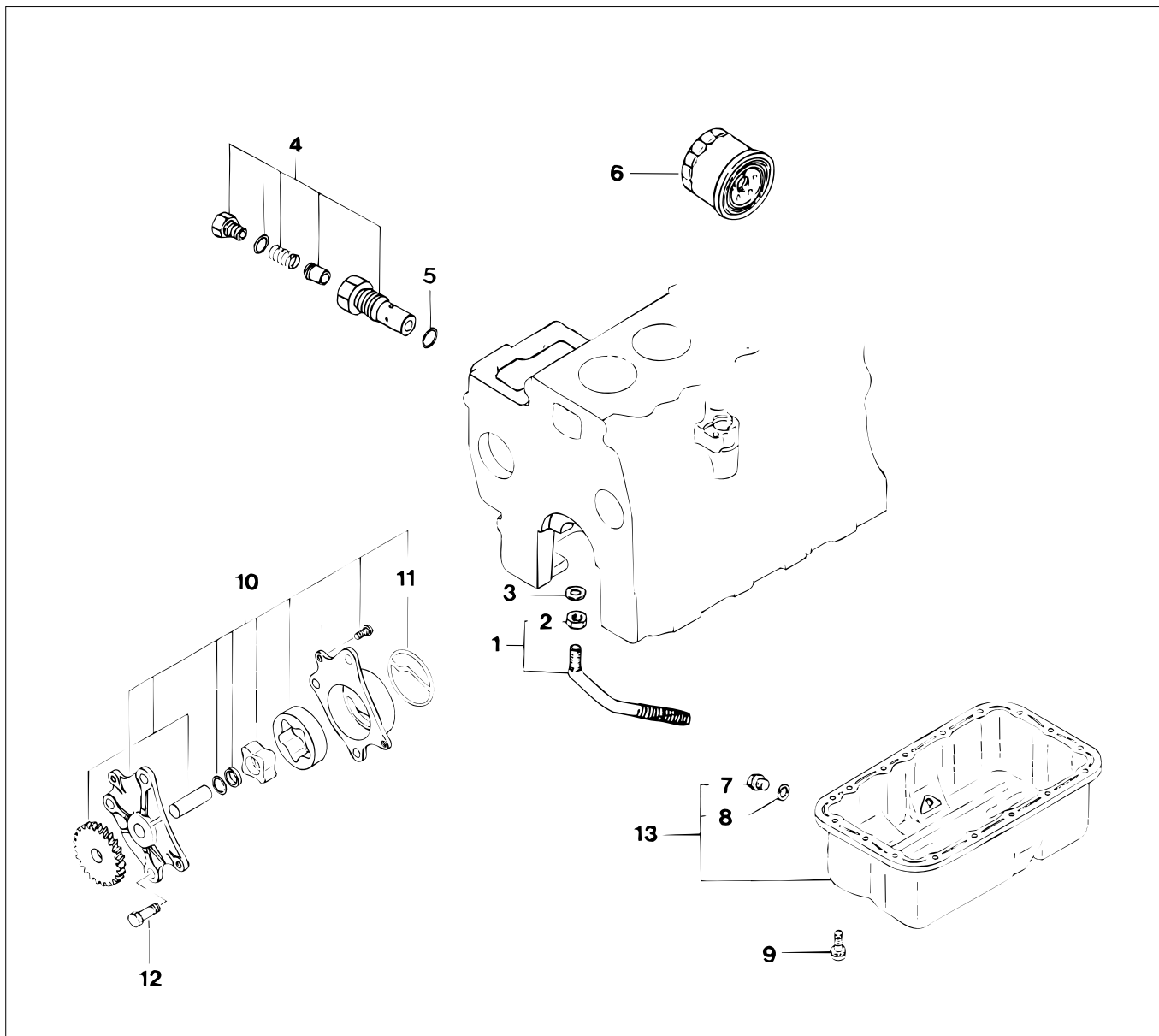


M4.55

PTO

PTO

pos.	qty	part	benaming	description
15	1	STM2525	Deksel	Cover
16	4	STM7940	Moer	Nut
17	4	STM7941	Ring	Washer
18	1	STM7814	Tandwiel	Gear wheel
19	1	STM9998	Tandwiel	Gear wheel
20	1	STM7816	Tandwiel cpl.	Gear wheel cpl.
21	1	STM7817	Tandwiel	Gear wheel
22	2	STM7818	Lager	Bearing
23	2	STM7780	Tapeind	Stud
24	1	STM3912	Oliedop	Oil cap

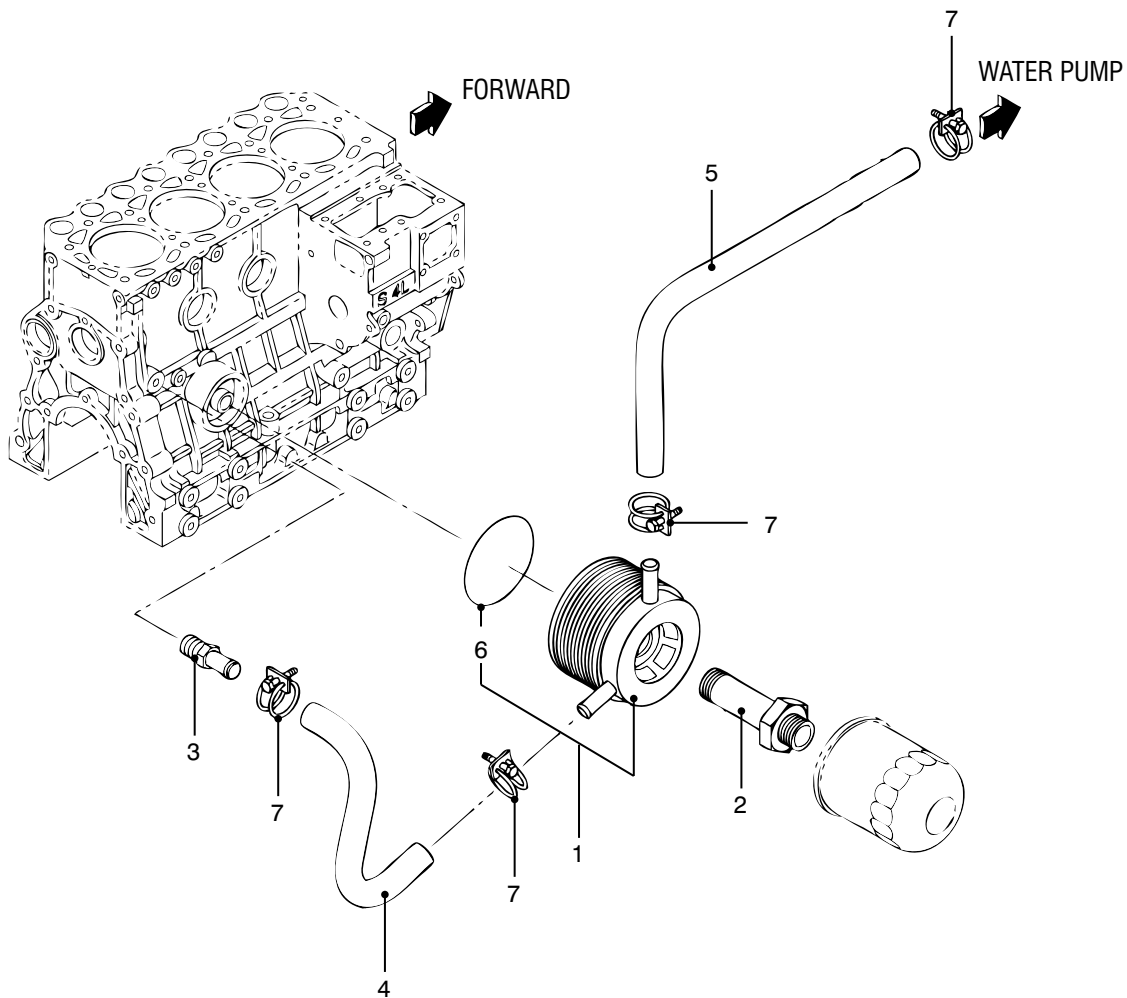


M4.55

Carterpan + oliepom

Oil pan + oil pump

pos.	qty	part	benaming	description
1	1	STM7829	Pijp cpl.	Pipe cpl.
2	1	STM7831	Moer	Nut
3	1	STM2672	Pakking	Gasket
4	1	STM7962	Klep cpl.	Valve cpl.
5	1	STM7832	Afdichtring	Seal washer
6	1	STM0051	Oliefilter	Oil filter
7	1	STM7783	Plug	Plug
8	1	STM7784	Afdichtring	Seal washer
9	17	STM7786	Bout	Bolt
10	1	STM7826	Oliepom cpl.	Oil pump cpl.
11	1	STM7827	Pakking	Gasket
12	3	STM7828	Bout	Bolt
13	1	STM7782	Carterpan cpl.	Oil pan cpl.



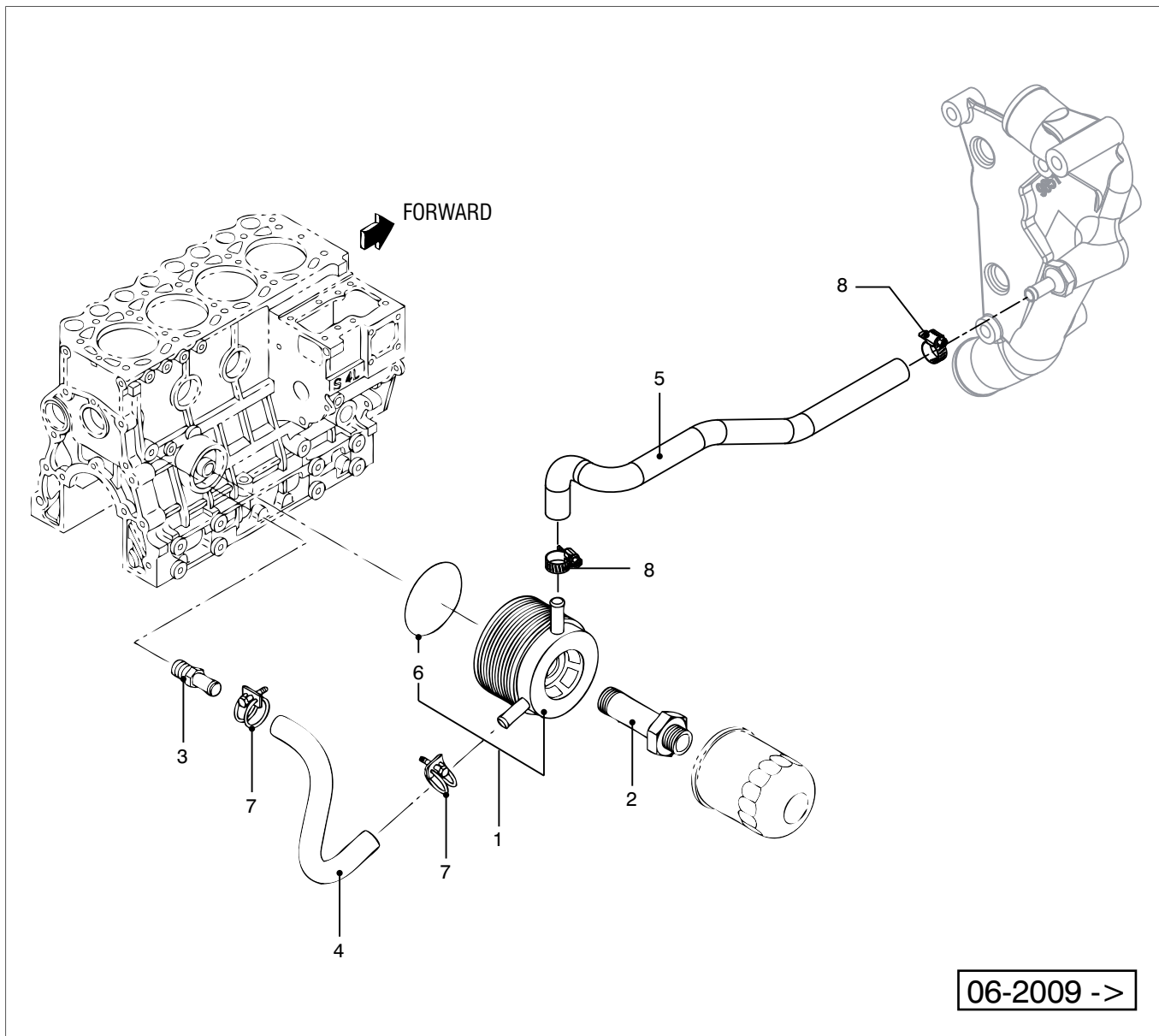
06-2009 <-

M4.55

Oliekoeler 06-2009 <-

Oil cooler 06-2009 <-

pos.	qty	part	benaming	description
1	1	STM9941	Oliekoeler	Oil cooler
2	1	STM9942	Holle bout	Connector
3	1	STM9943	Slangtule	Hose pillar
4	1	STM9945	Slang	Hose
5	1	STM9947	Slang	Hose
6	1	STM9938	O-Ring	O-Ring
7	4	STM9946	Slangklem	Hose clamp



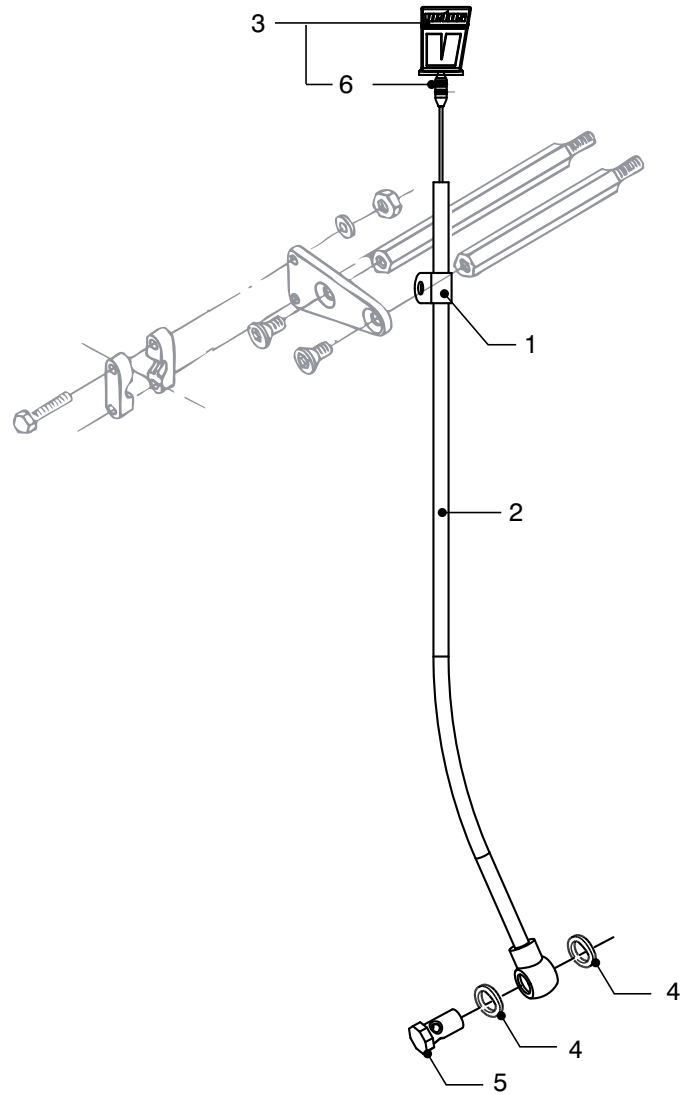
M4.55

Oliekoeler 06-2009 ->

Oil cooler 06-2009 ->

pos.	qty	part	benaming	description
1	1	STM9941	Oliekoeler	Oil cooler
2	1	STM9942	Holle bout	Connector
3	1	STM9943	Slangtule	Hose pillar
4	1	STM9945	Slang	Hose
5	1	STM9442	Slang	Hose
6	1	STM9938	O-Ring	O-Ring
7	2	STM9946	Slangklem	Hose clamp
8	2	STM2012	Slangklem	Hose clamp



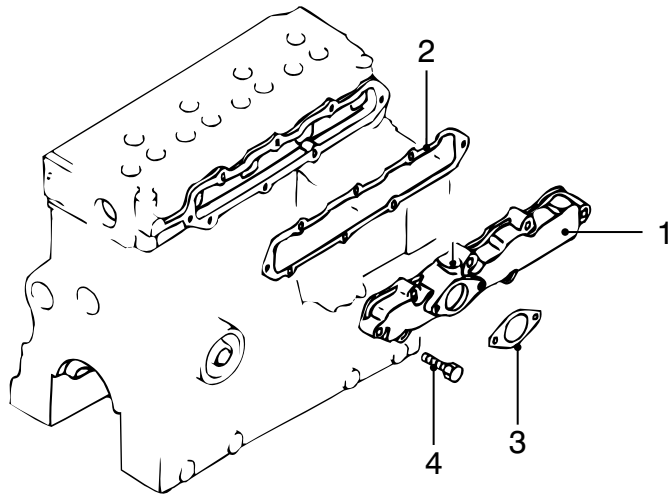


**M4.55**

**Oliepeilstok**

**Oil dipstick**

pos.	qty	part	benaming	description
1	1	STM6305	Klem RSGU1100	Clamp RSGU1100
2	1	STM7484	Pijp oliepeilstok	Pipe oil dipstick
3	1	STM7442	Oliepeilstok M4.55	Oil dipstick M4.55
4	2	STM1062	Afdichtring M14	Seal washer M14
5	1	STM7443	Banjo bout M14x1,5	Banjo bolt M14x1,5
6	2	STM7435	O-ring FPM	O-ring FPM

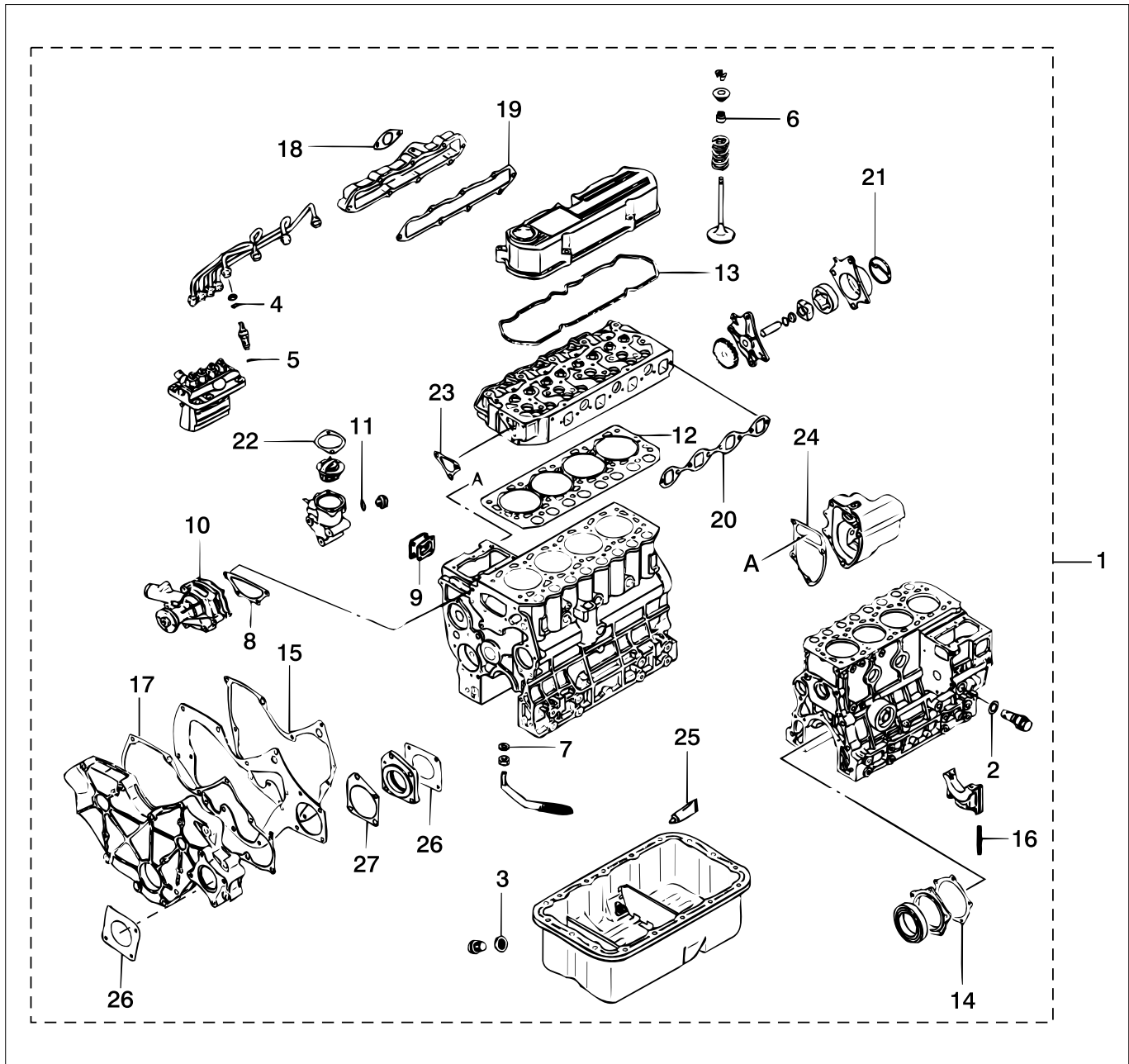


**M4.55**

**Luchtinlaat**

**Air intake**

pos.	qty	part	benaming	description
1	1	STM9999	Deksel cpl.	Cover cpl.
2	1	STM7820	Pakking	Gasket
3	1	STM7474	Pakking	Gasket
4	8	STM7823	Bout	Bolt

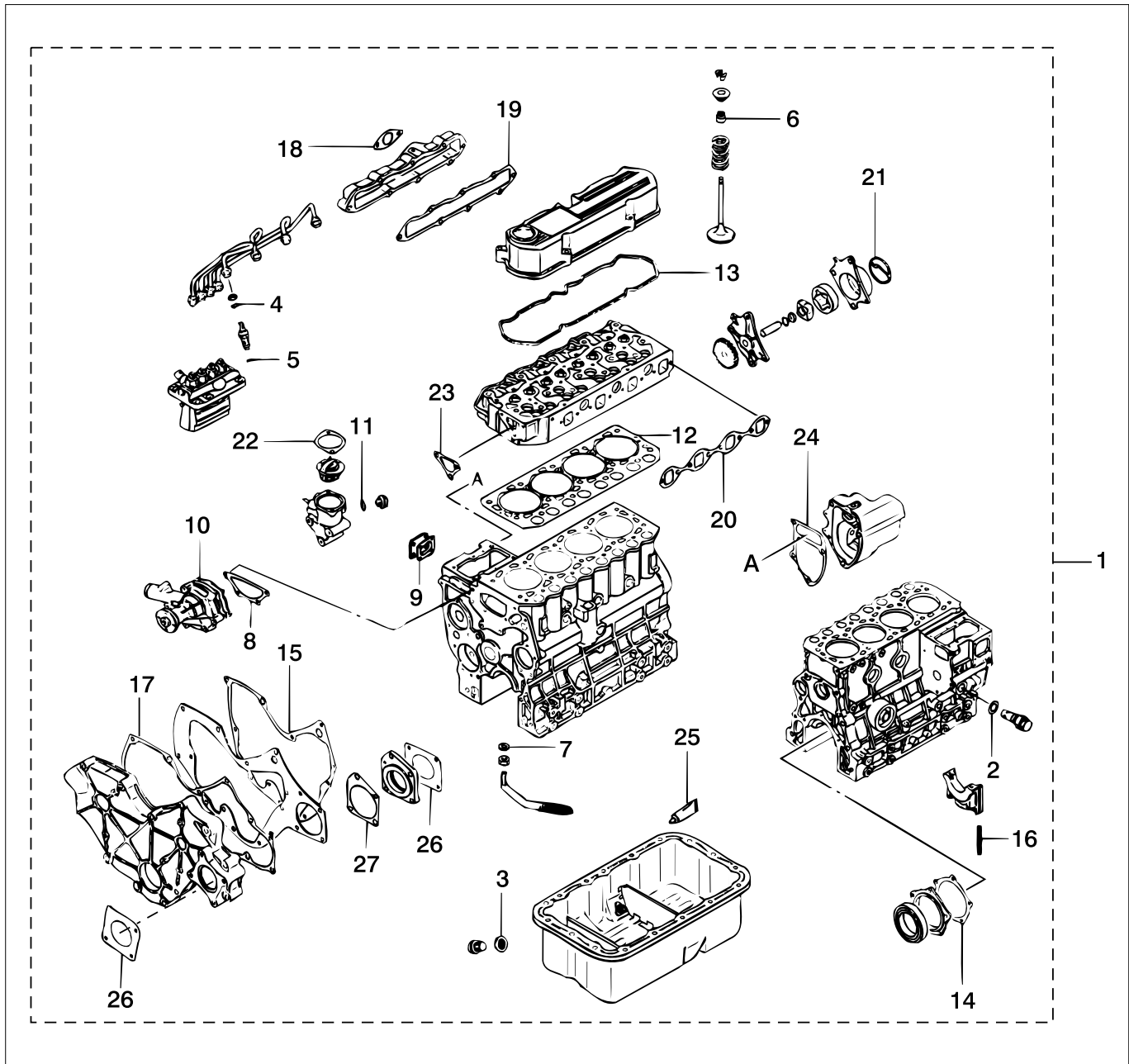


**M4.55**

**Revisie pakkingset**

**Overhaul gasket kit**

pos.	qty	part	benaming	description
1	1	STM7965	Pakkingset	Gasket kit
2	1	STM7963	Pakking	Gasket
3	1	STM7784	Pakking	Gasket
4	4	STM7862	Pakking	Gasket
5	4	STM7861	Pakking	Gasket
6	8	STM2589	Afdichting	Seal
7	1	STM2672	Pakking	Gasket
8	1	STM7846	Pakking	Gasket
9	1	STM7927	Pakking	Gasket
10	1	STM2682	Pakking	Gasket
11	3	STM7953	Pakking	Gasket
12	1	STM7709	Pakking	Gasket
13	1	STM7734	Pakking	Gasket
14	1	STM7761	Pakking	Gasket
15	1	STM7771	Pakking	Gasket
16	4	STM7755	Afdichting	Seal

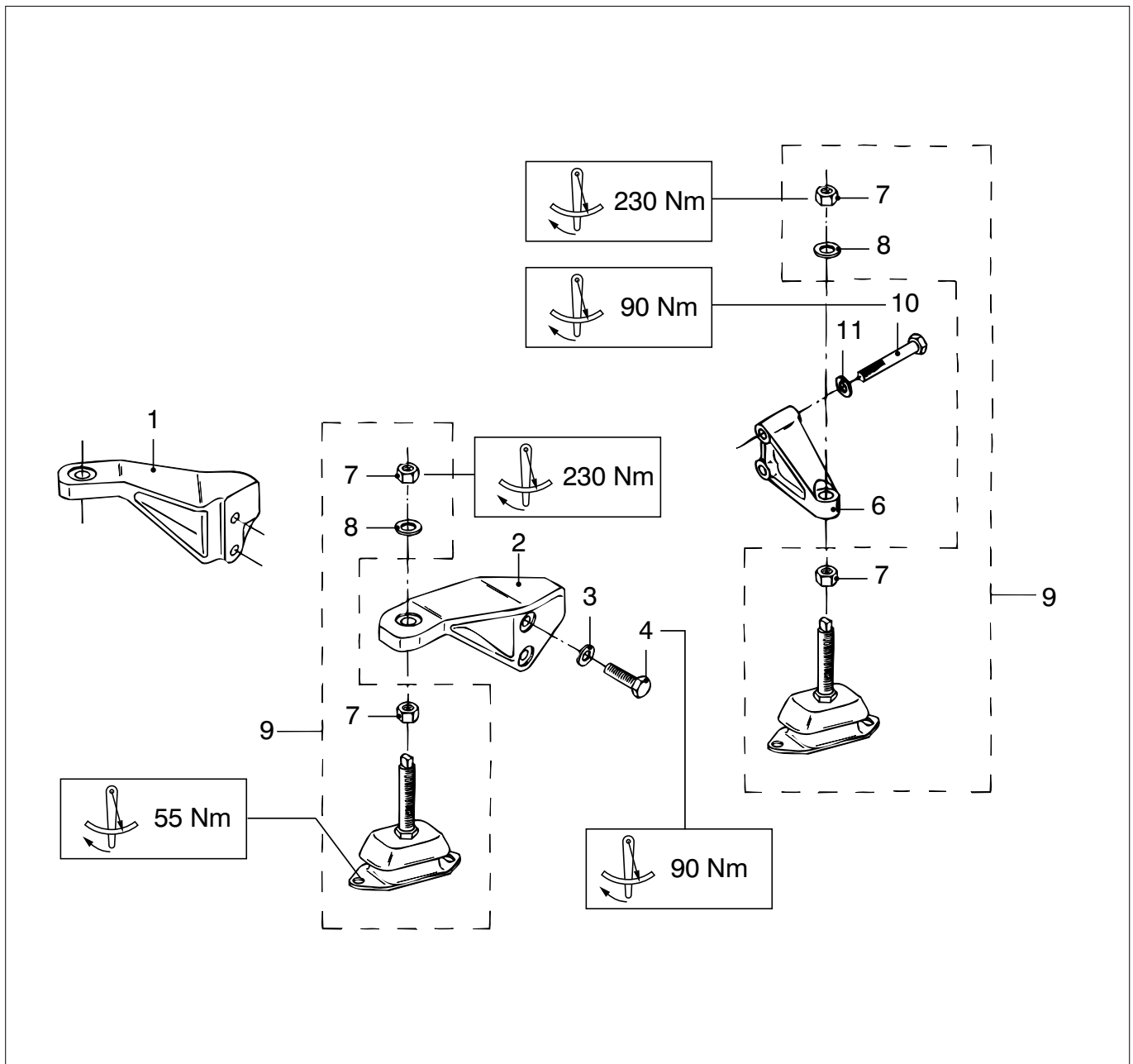


**M4.55**

**Revisie pakkingset**

**Overhaul gasket kit**

pos.	qty	part	benaming	description
17	1	STM7774	Pakking	Gasket
18	1	STM7474	Pakking	Gasket
19	1	STM7820	Pakking	Gasket
20	1	STM7825	Pakking	Gasket
21	1	STM7821	Pakking	Gasket
22	1	STM7855	Pakking	Gasket
23	1	STM7856	Pakking	Gasket
24	1	STM7918	Pakking	Gasket
25	1	STM7964	Pakking vloeibaar	Gasket liquid
26	2	STM2526	Pakking	Gasket
27	1	STM7777	Pakking	Gasket

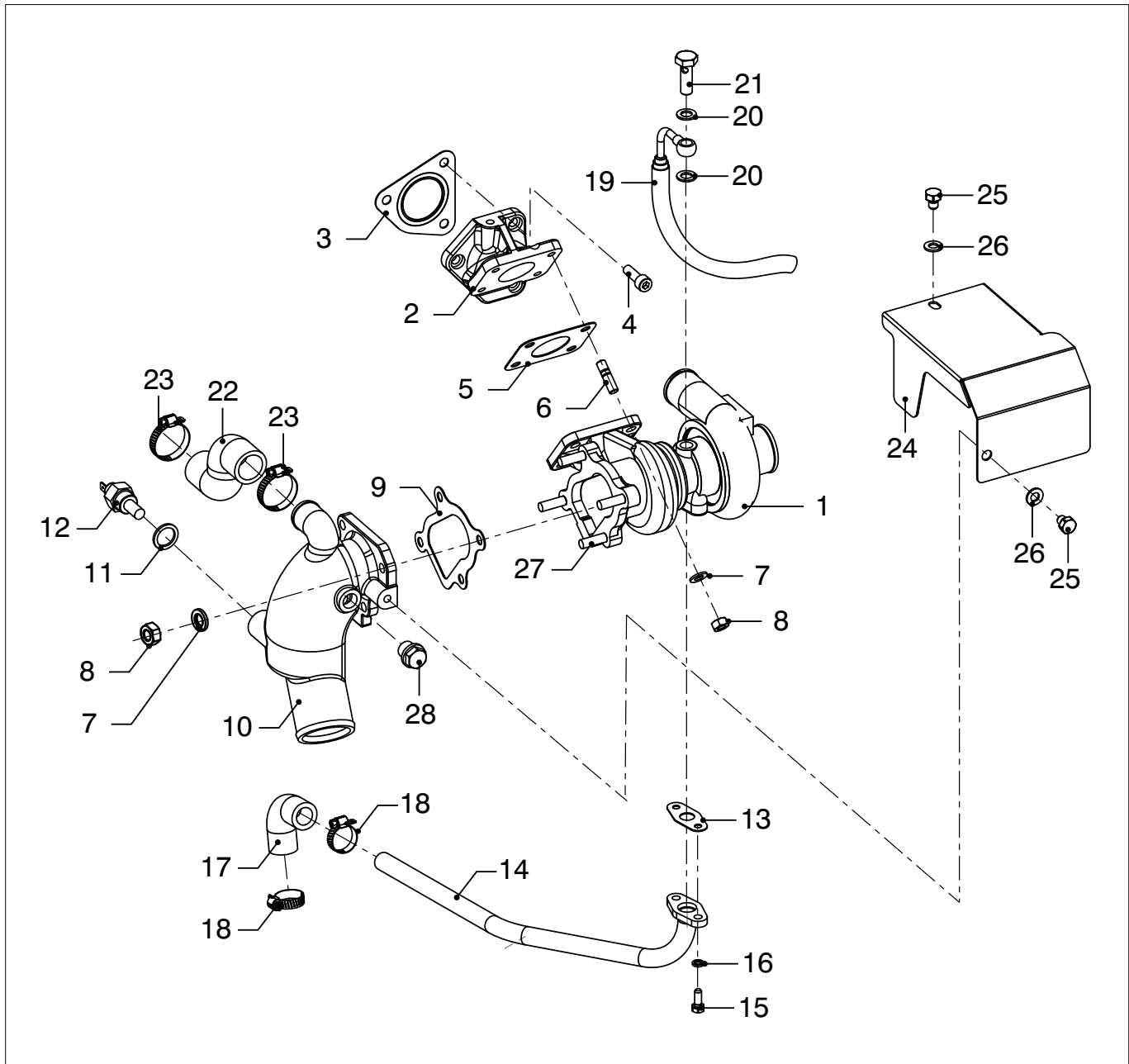


**M4.55**

**Motorsteunen**

**Engine supports**

pos.	qty	part	benaming	description
1	1	STM7570	Motorsteun SB	Engine support SB
2	1	STM7571	Motorsteun BB	Engine support PS
3	8	STM4056	Gegolfde veerring M12	Wave spring washer M12
4	4	STM4060	Bout M12x1,25x35	Bolt M12x1.25x35
5	2	STM4010	Moer M16x1,5	Nut M16x1.5
6	2	STM7584	Motorsteun SB-BB	Engine support SB-PS
7	4	STM7595	Bout M12x1,75x65	Bolt M12x1.75x65
8	1	STM4011	Ring M16	Washer M16
9	4	KSTEUN80	Trillingdemper	Engine mount
10	4	STM7595	Bout M12 x 1,75 x 65	Bolt M12 x 1.75 x 65
11	4	STM4056	Gegolfde veerring M12	Wave spring washer M12

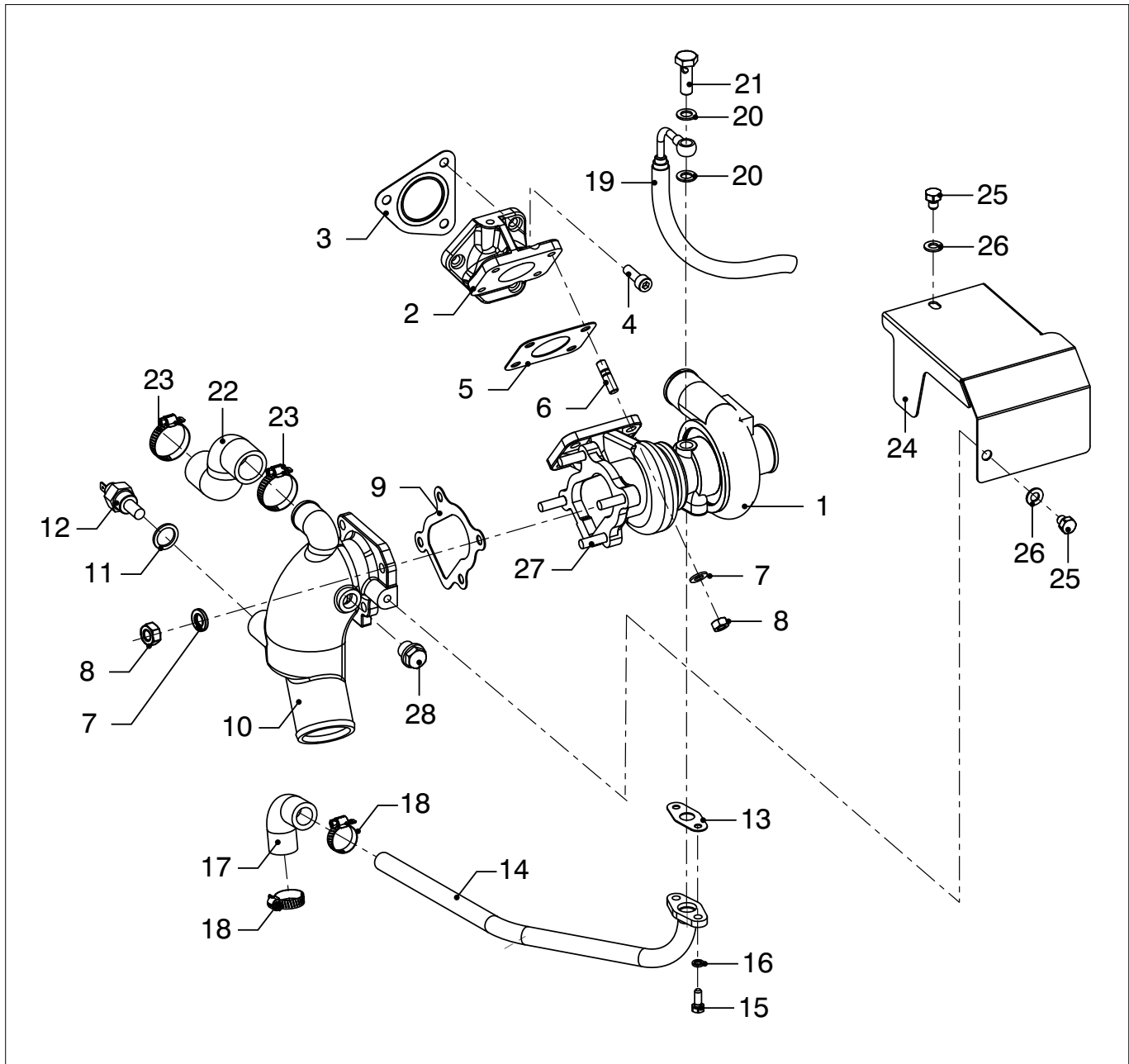


**M4.55**

**Turbocompressor**

**Turbo compressor**

pos.	qty	part	benaming	description
1	1	STM7493	Turbo compressor	Turbo compressor
2	1	STM7451	Uitlaat adaptor	Exhaust adapter
3	1	STM7470	Pakking	Gasket
4	3	STM4525	Cilinderkopschroef M8x25	Allen screw M8x25
5	1	STM7471	Pakking	Gasket
6	4	STM9712	Tapeind M8x20 warmte vast	Stud M8x20
7	8	STM8741	Ring M8 warmte vast	Washer M8
8	8	STM9713	Moer M8 warmte vast	Nut M8
9	1	STM7476	Pakking	Gasket
10	1	STM7450	Uitlaat injectiebocht ø 50	Exhaust injection elbow ø 50
	1	STM9890	Uitlaat injectiebocht ø 60	Exhaust injection elbow ø 60
11	1	STM2019	Afdichtring M18	Seal washer M18
12	1	STM2006	Temperatuur schakelaar 75°C	Thermo switch 75°C
13	1	STM7477	Pakking	Gasket
14	1	STM7455	Olieteruglooppijp	Oil return pipe
15	2	STM1024	Bout M6 x 16	Bolt M6 x 16



**M4.55**

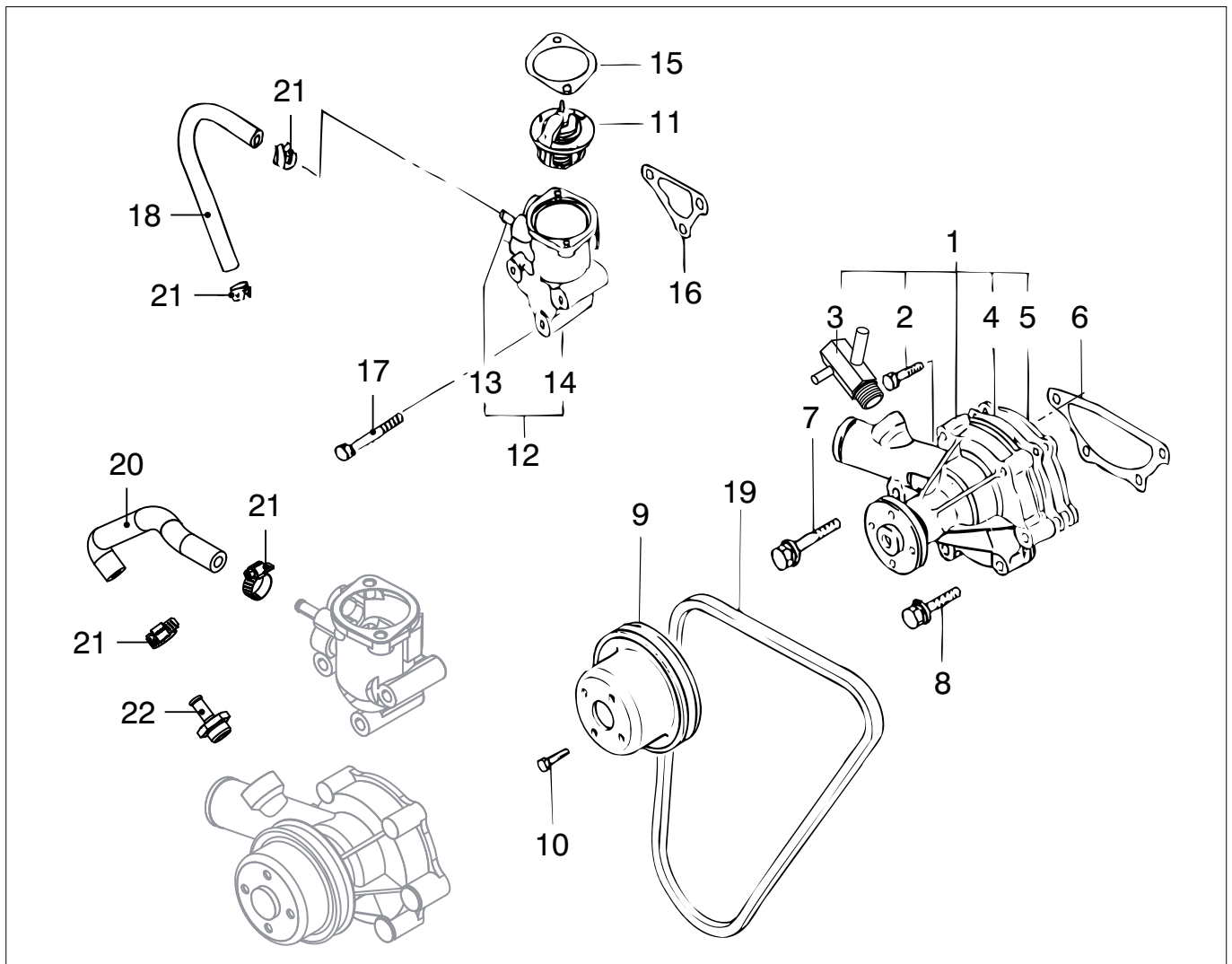
**Turbocompressor**

**Turbo compressor**

pos.	qty	part	benaming	description
16	2	CT40029	Veerring M6	Spring washer M6
17	1	STM7497	Siliconen bocht	Silicon elbow
18	2	STM9877	Slangklem 12-22	Hose clamp 12-22
19	1	STM7457	Olie toevoerslang	Oil supply hose
20	2	STM2018	Afdichtring M10	Seal washer M10
21	1	STM7487	Banjo-bout M10x1,25	Banjo bolt M10x1.25
22	1	STM7452	Slang	Hose
23	2	STM2012	Slangklem 19-28	Hose clamp 19-28
24	1	STM9872	Turbo isolatiekast	Turbo insulation case
25	2	STM4055	Bout M8x15	Bolt M8x15
26	2	STM1653	Ring M8	Washer M8
27	4	STM7496	Tapeind	Stud
28	1	STM3071	Afdichtstop G3/8	Plug G3/8





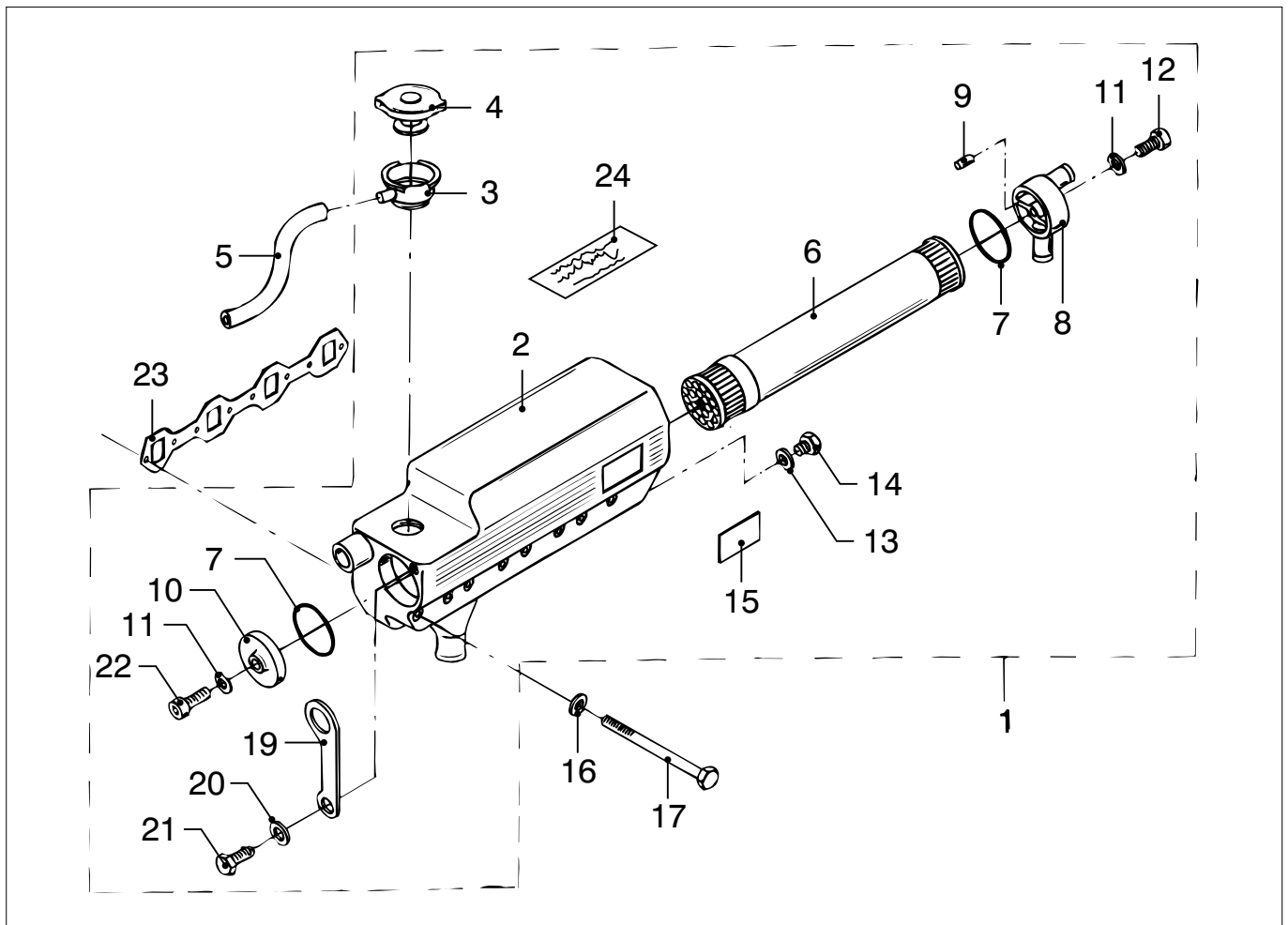


**M4.55**

**Circulatiepomp**

**Circulation pump**

pos.	qty	part	benaming	description
1	1	STM9951	Circulatiepomp cpl.	Circulation pump cpl.
2	2	STM7844	Bout	Bolt
3	1	STM9445	Nippel 06-2009 <-	Nipple 06-2009 <-
4	1	STM2682	Pakking	Gasket
5	1	STM2683	Plaat	Plate
6	1	STM7846	Pakking	Gasket
7	3	STM7847	Bout	Bolt
8	1	STM7848	Bout	Bolt
9	1	STM7849	Pulley	Pulley
10	4	STM7850	Bout	Bolt
11	1	STM7654	Thermostaat 76,5°C	Thermostat 76,5°C
12	1	STM7852	Thermostaathuis cpl.	Thermostat housing cpl.
13	1	STM7853	Pijp	Pipe
14	1	STM7854	Thermstaathuis	Thermostat housing
15	1	STM7855	Pakking	Gasket
16	1	STM7856	Pakking	Gasket
17	3	STM7857	Bout	Bolt
18	1	STM9954	Slang 06-2009 <-	Hose 06-2009 <-
19	1	STM7643	V-snaar	V-belt
20	1	STM9440	Slang 06-2009 ->	Hose 06-2009 ->
21	2	STM3056	Slangklem	Hose clamp
22	1	STM9441	Slangpilaar 06-2009 ->	Hose pillar 06-2009 ->

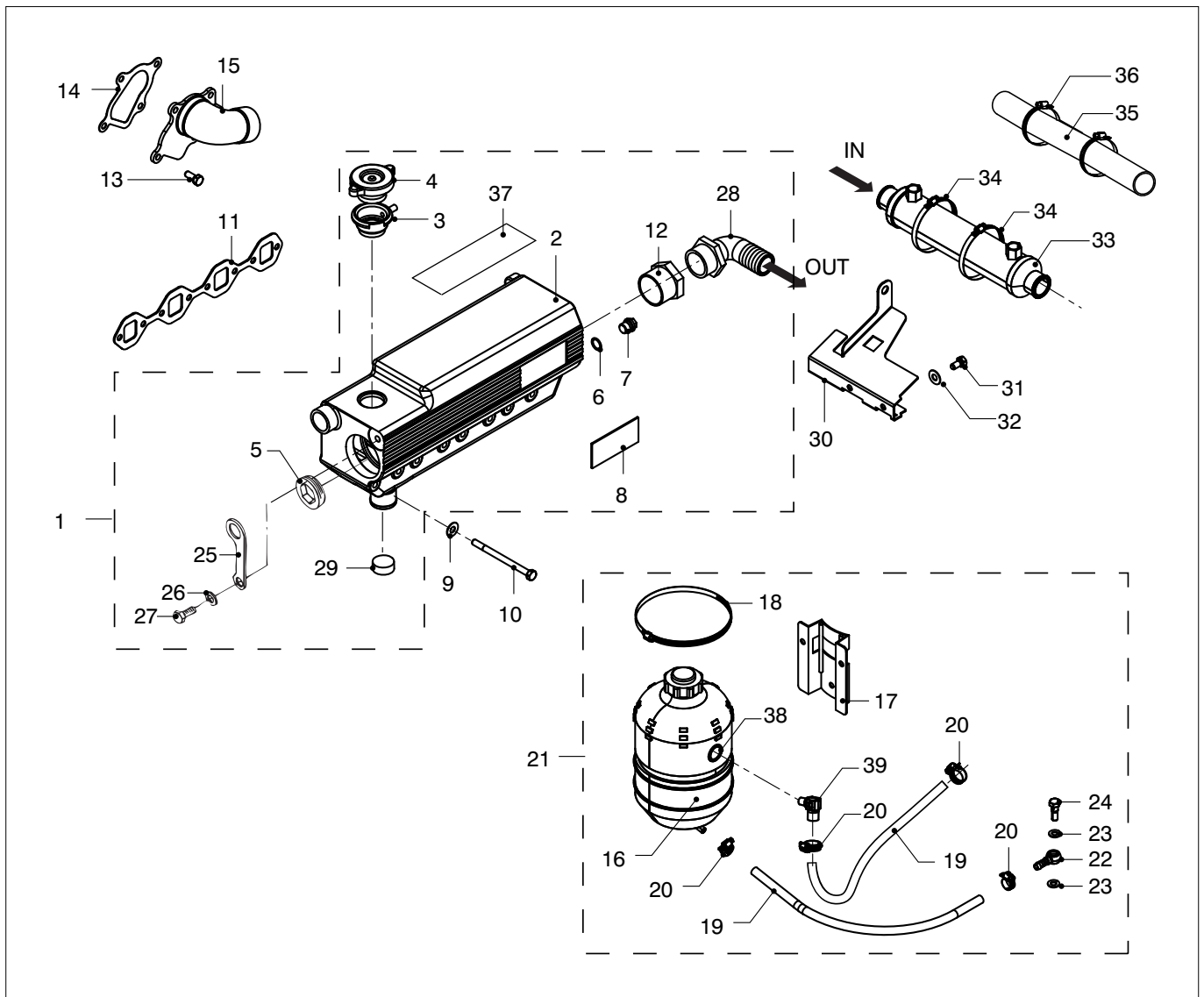


**M4.55**

**Warmtewisselaar unit**

**Heat exchanger unit**

pos.	qty	part	benaming	description
1	1	STM7552	Warmtewisselaar compleet	Heat exchanger cpl.
2	1	STM7551	Warmtewisselaarhuis	Heat exchanger housing
3	1	STM6108	Vulnek	Filler neck
4	1	STM1017	Vuldop 0,5bar	Filler cap 0.5bar
5	1	STM1027	Slang vulnek l=0,4mtr.	Hose filler neck l=0.4mtr.
6	1	STM7555	Pijpenbundel	Tube stack
7	2	STM6113	O-ring 61x2,5 FPM (groen)	O-ring 61x2.5 FPM (green)
8	1	STM6503	Aansluitdeksel	Cover
9	1	STM6130	Spanbus	Spring type straight pin slotted
10	1	STM7446	Deksel	Cover
11	2	STM1007	Afdichtring	Seal washer
12	1	STM1006	Inbusbout M8x30	Allen screw M8x30
13	1	STM1062	Afdichtring	Seal washer
14	1	STM1059	Plug M14x1,5	Plug M14x1.5
15	1	STM6531	Logo plaatje	Model plate
16	8	STM1019	Gegolfde veerring M8	Wave spring washer M8
17	8	STM6121	Bout M8x1,25x110	Bolt M8x1.25x110
18	1	STM7825	Uitlaatpakking	Exhaust gasket
19	1	STM7710	Hijsoog	Lifting eye
20	1	STM4014	Veerring M10	Spring washer
21	1	STM3705	Bout M10x1,25x25	Bolt M10x1.25x25
22	1	STM7648	Imbusbout M8 x 20 lage kop	Allen screw M8 x 20 low head
23	1	STM7825	Pakking	Gasket
24	1	STM7481	Sticker M4.55	Sticker M4.55

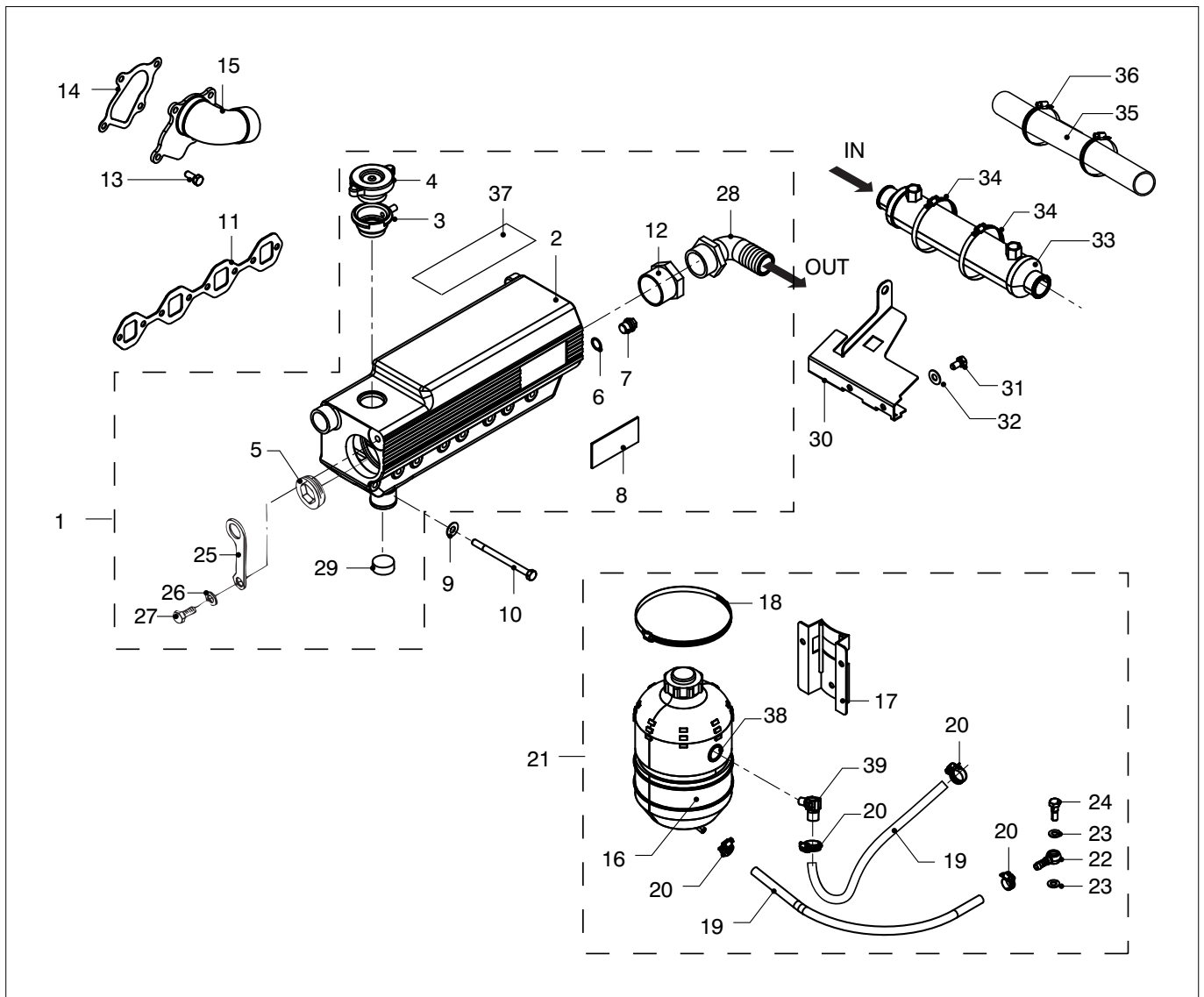


**M4.55**

**Kielkoelspruitstuk**

**Keel cooler manifold**

pos.	qty	part	benaming	description
1	1	STM9881	Kielkoelspruitstuk cpl.	Keel cooler manifold cpl.
2	1	STM7553	Kielkoelspruitstuk	Keel cooler manifold
3	1	STM3750	Vulnek	Filler neck
4	1	STM9507	Vuldop 'do not open'	Filer cap 'do not open'
5	1	STM4043	Plug G1 1/2	Plug G1 1/2
6	1	STM1062	Afdichtring	Seal washer
7	1	STM1059	Plug M14x1,5	Plug M14x1,5
8	1	STM6531	Logo plaatje	Model plate
9	8	STM1019	Gegolfde veerring M8	Wave spring washer M8
10	8	STM3121	Bout M8x1,25x110	Bolt M8x1,25x110
11	1	STM7825	Uitlaatpakking	Exhaust gasket
12	1	STM9873	Nippel G1 1/2 G => 1 1/4	Nipple G1 1/2 => G1 1/4
13	4	STM7496	Bout M8x20	Bolt M8x20
14	1	STM7476	Pakking	Gasket
15	1	STM7489	Uitlaatflens G1 1/2 90°	Exhaust flange G1 1/2 90°
16	1	STM9513	Expansietank	Header tank
17	1	STM9502	Bevestigingsbeugel	Support
18	1	STM9503	Slangklem 120-140	Hose clamp 120-140
19	2	STM9504	Slang l=1,5 mtr	Hose l=1,5 mtr
20	4	STM9505	Slangklem mini 14	Hose clamp mini 14

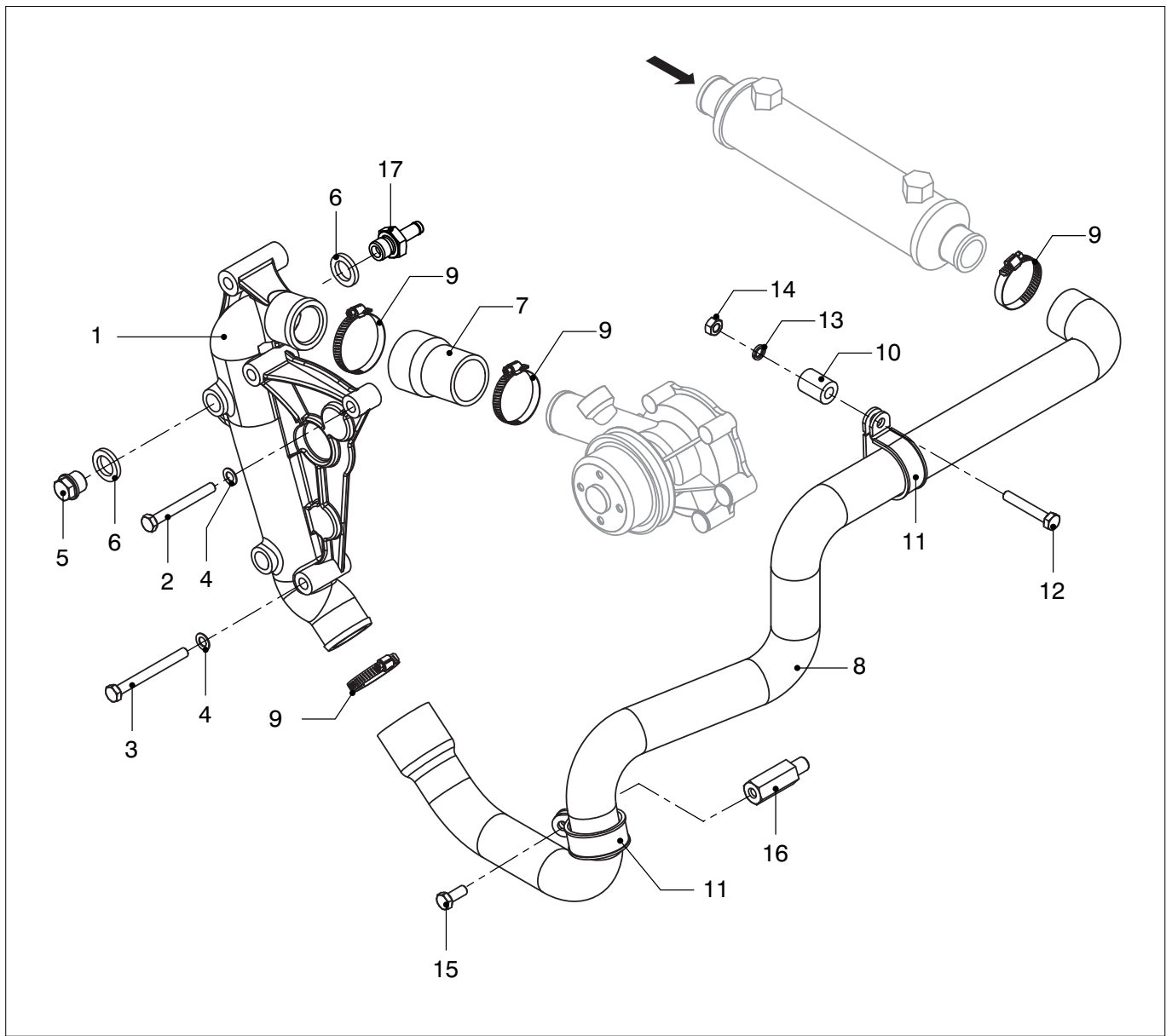


**M4.55**

**Kielkoelspruitstuk**

**Keel cooler manifold**

pos.	qty	part	benaming	description
21	1	STM9514	Expansietank cpl.	Header tank cpl
22	1	STM6198	Banjo-oog	Banjo eye
23	2	STM2018	Afdichtring	Seal washer
24	1	STM7586	Banjo bout	Banjo bolt
25	1	STM7710	Hijsoog	Lifting eye
26	1	STM4014	Veerring M10	Spring washer M10
27	1	STM3705	Bout M10x1,25x25	Bolt M10x1,25x25
28	1	STM9447	Slangpilaar G1 1/4- ø 32 90°	Hose pillar G1 1/4- ø 32 90°
29	1	STM7679	Plug M30x1,5	Plug M30x1,5
30	1	STM7498	Bev.steun	Support
31	2	STM4055	Bout M8x1,25x16	Bolt M8x1,25
32	2	STM1019	Gegolfde veerring M8	Wave spring washer M8
33	1	STM3771	Oliekoeler 9"x ø 55-G3/8- ø 33	Oil cooler 9"x ø 55-G3/8- ø 33
34	2	STM8148	Slangklem 58-75 mm	Hose clamp 58-75 mm
35	2	STM3012	Slangklem	Hose clamp
36	1	08-01005	Pijp	Pipe
37	1	STM7481	Sticker M4.55	Sticker M4.55
38	1	STM9511	Tule	Grommet
39	1	STM9512	Slangpilaar	Hose pillar

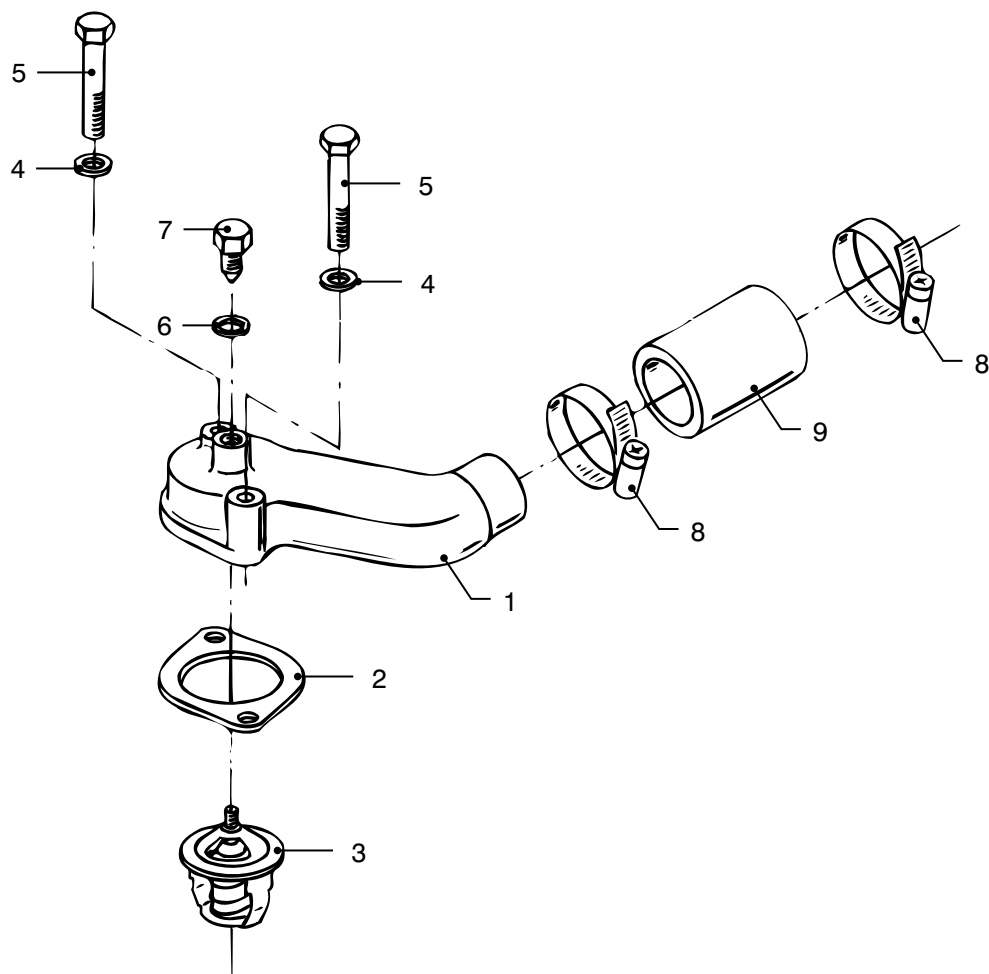


**M4.55**

**Aansluiting circulatiepomp, kielkoeling**

**Connection of circulation pump, keel cooling**

pos.	qty	part	benaming	description
1	1	STM9851	Dynamosteun/koelwaterpijp	Alternator bracket/coolant pipe
2	1	STM9682	Bout M8x75	Bolt M8x75
3	2	STM8126	Bout M8x90	Bolt M8x90
4	3	STM1019	Gegolfde veerring M8	Wave spring washer M8
5	2	STM7285	Plug G3/8	Plug G3/8
6	3	STM6617	Afdichtring M16	Seal washer M16
7	1	STM9852	Slang	Hose
8	1	STM9895	Slang	Hose
9	4	STM3005	Slangklem 32-44	Hose clamp 32-44
10	1	STM7674	Bus	Spacer
11	2	STM9859	Klem	Clamp
12	1	STM3355	Bout	Bolt
13	1	STM1056	Veerring	Spring washer
14	1	STM2005	Moer	Nut
15	1	STM3355	Bout	Bolt
16	1	STM9860	Adapter	Adapter
17	1	STM9780	Slangpielaar G 3/8-10	Hose pillar G 3/8-10

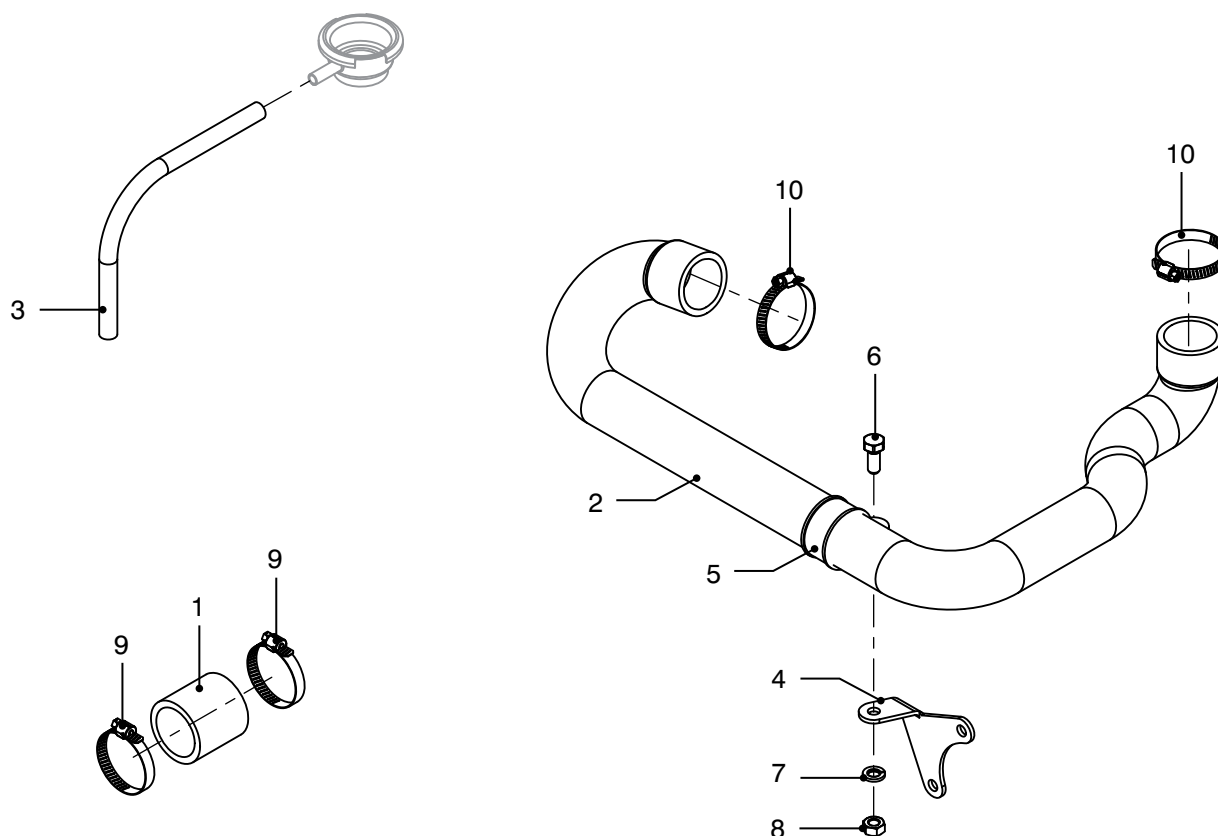


**M4.55**

**Thermostaathuis**

**Thermostat housing**

pos.	qty	part	benaming	description
1	1	STM7559	Thermostaathuis	Thermostat housing
2	1	STM7855	Pakking	Gasket
3	1	STM7654	Thermostaat 76,5°C	Thermostat 76,5°C
4	2	STM1019	Gegolfde veerring M8	Wave spring washer M8
5	2	STM2261	Bout M8x1,25x40	Bolt M8x1.25x40
6	1	STM1007	Afdichtring	Seal washer
7	1	STM3796	Bout M8x1,25x10	Bolt M8x1.25x10
8	2	STM3005	Slangklem 32-44	Hose clamp 32-44
9	1	STM7560	Slang thermostaathuis <-> WW	Hose thermostathousing <-> heatexchanger



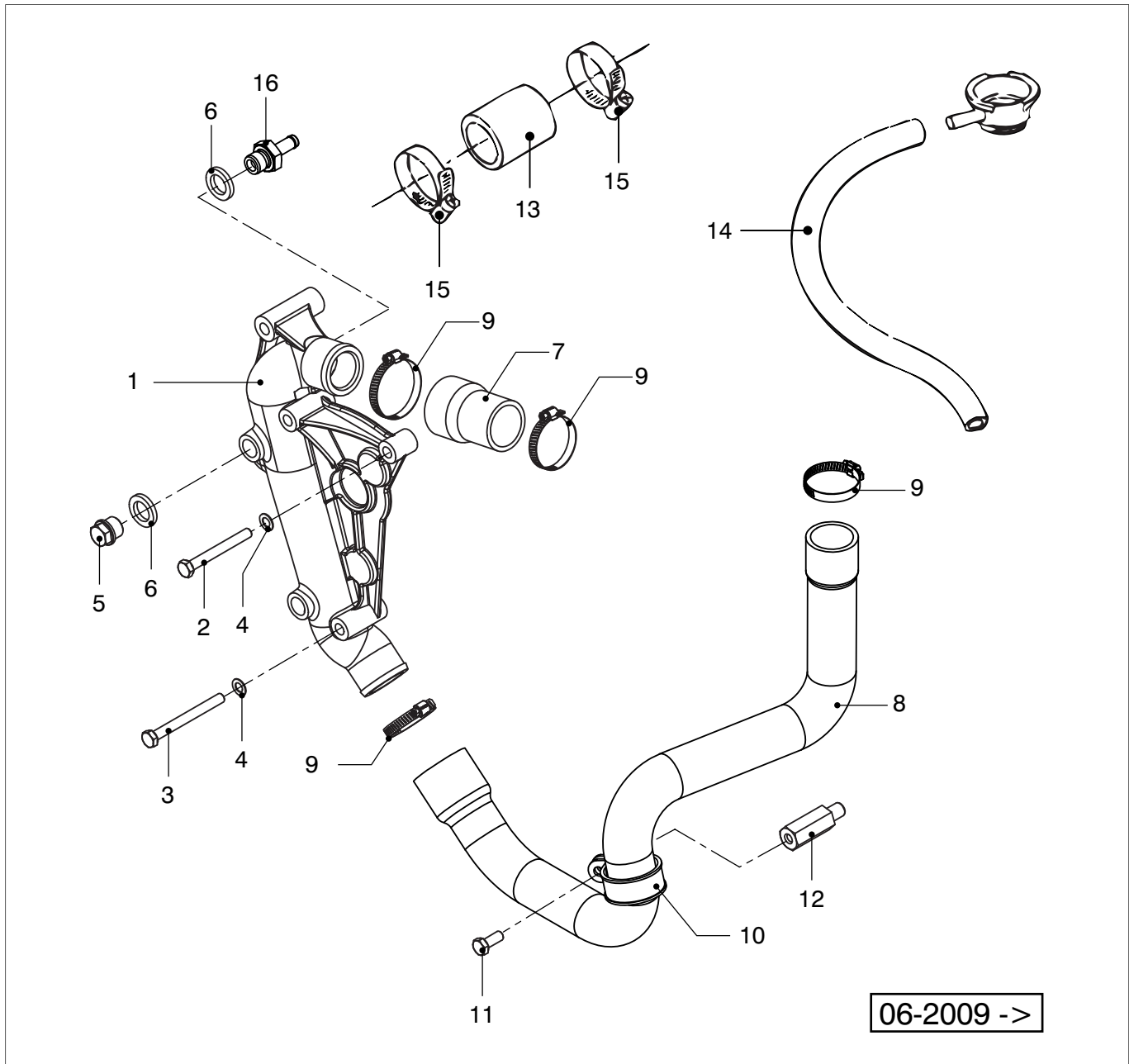
06-2009 <-

**M4.55**

**Slangen - koelsysteem, binnenwater  
06-2009 <-**

**Hoses - cooling system, coolant 06-2009 <-**

pos.	qty	part	benaming	description
1	1	STM7560	Slang thermostaat	Hose thermostat
2	1	STM3091	Slang ww-circulatiepomp	Hose heat ex. Circulationpump
3	1	STM1027	Slang vulnek	Hose filler neck
4	1	STM7565	Steun	Support
5	1	STM3061	Klem RSGU1.35/20W1	Clamp RSGU1.35/20W1
6	1	STM3355	Bout M8x20	Bolt M8x20
7	1	STM1056	Veerring M8	Spring washer M8
8	1	STM2005	Moer M8	Nut M8
9	2	STM3005	Slangklem 35-50	Hose clamp 35-50
10	2	STM3005	Slangklem 35-50	Hose clamp 35-50



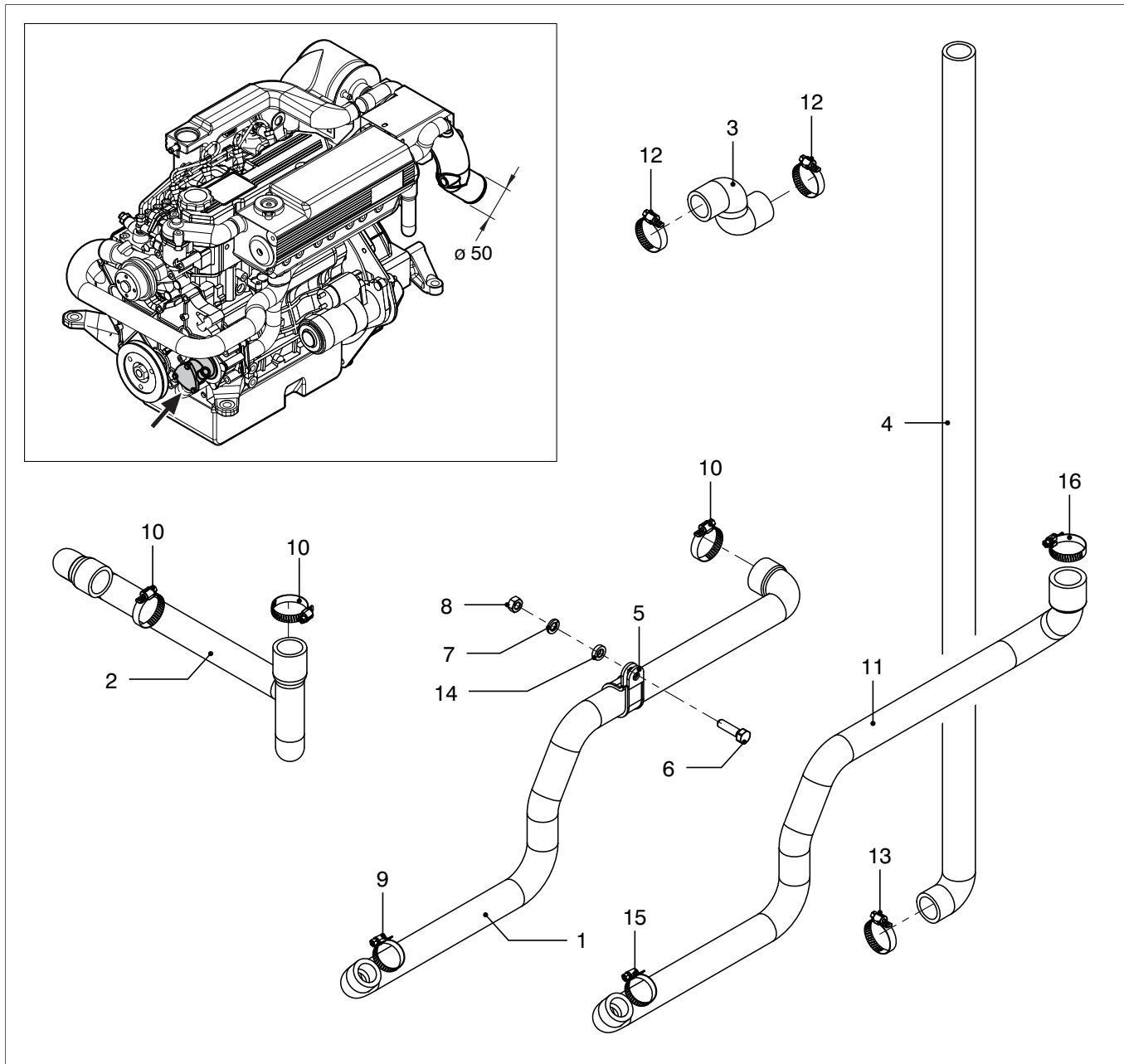
**M4.55**

**Slangen - koelsysteem, binnenwater  
06-2009 ->**

**Hoses - cooling system, coolant 06-2009 ->**

pos.	qty	part	benaming	description
1	1	STM9851	Dynamosteun/koelwaterpijp	Alternator bracket/coolant pipe
2	1	STM9682	Bout M8x75	Bolt M8x75
3	2	STM8126	Bout M8x90	Bolt M8x90
4	3	STM1019	Gegolfde veerring M8	Wave spring washer M8
5	2	STM7285	Plug G3/8	Plug G3/8
6	3	STM6617	Afdichtring M16	Seal washer M16
7	1	STM9852	Slang	Hose
8	1	STM9853	Slang	Hose
9	4	STM3005	Slangklem 32-44	Hose clamp 32-44
10	1	STM9859	Klem 45mm	Clamp 40mm
11	1	STM3355	Bout M8x20	Bolt M8x20
12	1	STM9860	Adapter M12x1,25->M8x1,25	Adapter
13	1	STM7560	Slang thermostaathuis <-> ww	Hose thermostat housing <-> heat exch.
14	1	STM1027	Slang vulnek l=0,4mtr.	Hose l=0.4mtr.
15	2	STM3005	Slangklem 32-44	Hose clamp 32-44
16	1	STM9780	Slangpilaar G 3/8-10	Hose pillar G 3/8-10



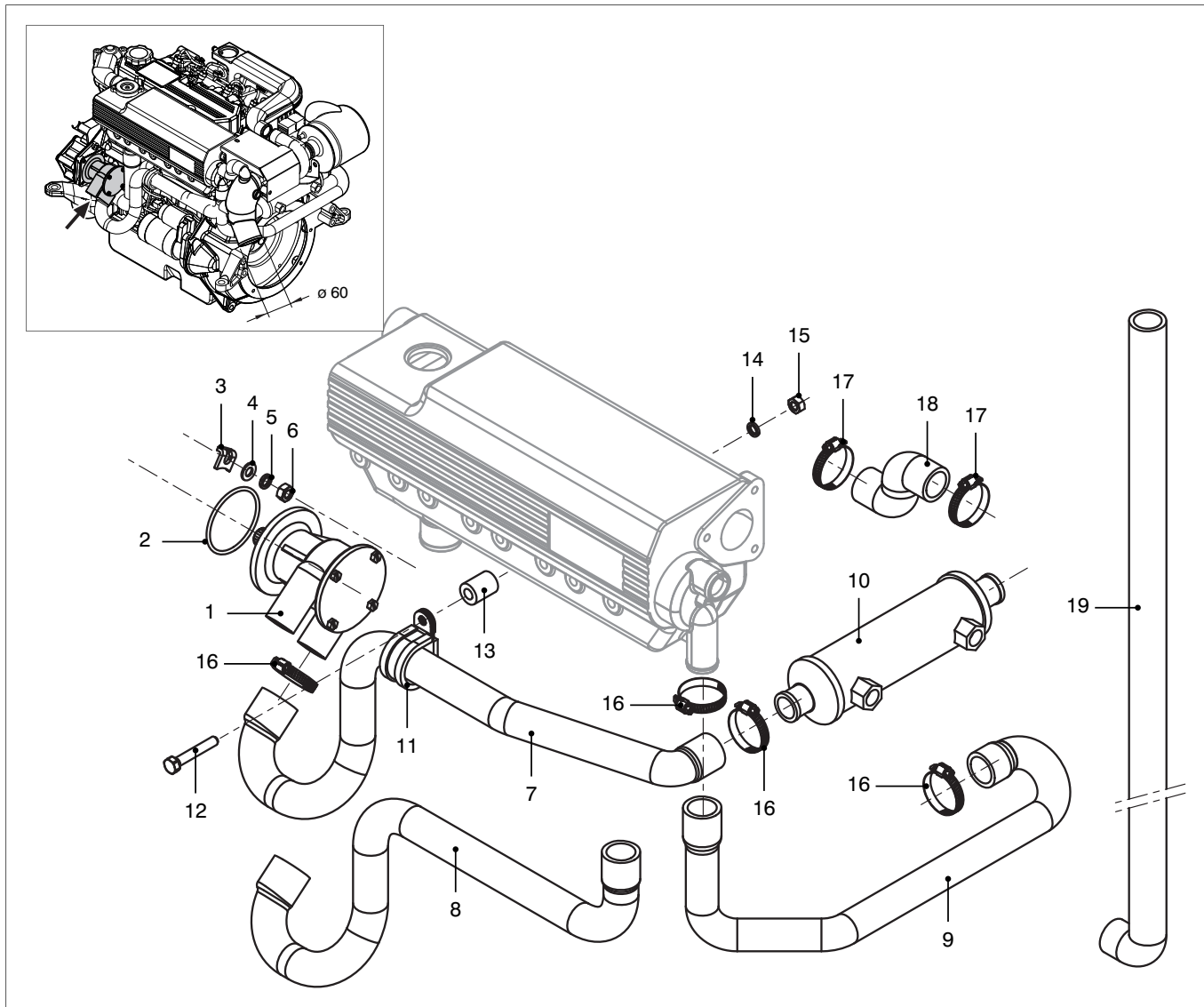


**M4.55**

**Slangen - koelsysteem, buitenwater, zee-  
terpomp type 20**

**Hoses - cooling system, raw water, sea water  
pump type 20**

pos.	qty	part	benaming	description
1	1	STM7562	Slang buitenwater pomp - oliekoeler	Hose raw water pump - oil cooler
2	1	STM7448	Slang oliekoeler-ww	Hose oil cooler-heat ex.
3	1	STM7452	Slang injectiebocht	Hose injection elbow
4	2	STM7488	Slang beluchter (optie)	Hose air vent. (optional)
5	1	STM7564	Klem RSGU1.30/20W1	Clamp RSGU1.30/20W1
6	1	STM7059	Bout M8x30	Bolt M8x30
7	1	STM1019	Veerring M8	Spring washer M8
8	1	STM2005	Moer M8	Nut M8
9	1	STM2012	Slangklem 19-28	Hose clamp 19-28
10	3	STM6116	Slangklem 26-38	Hose clamp 26-38
11	1	STM7561	Slang buitenwaterpomp - warmtewisselaar	Hose sea water pump - heat exchanger
12	2	STM2012	Slangklem 19-28	Hose clamp 19-28
13	2	STM2012	Slangklem 19-28	Hose clamp 19-28
14	1	STM7646	Vulring d=10	Spacer d=10
15	1	STM2012	Slangklem 19-28	Hose clamp 19-28
16	1	STM6116	Slangklem 26-38	Hose clamp 26-38

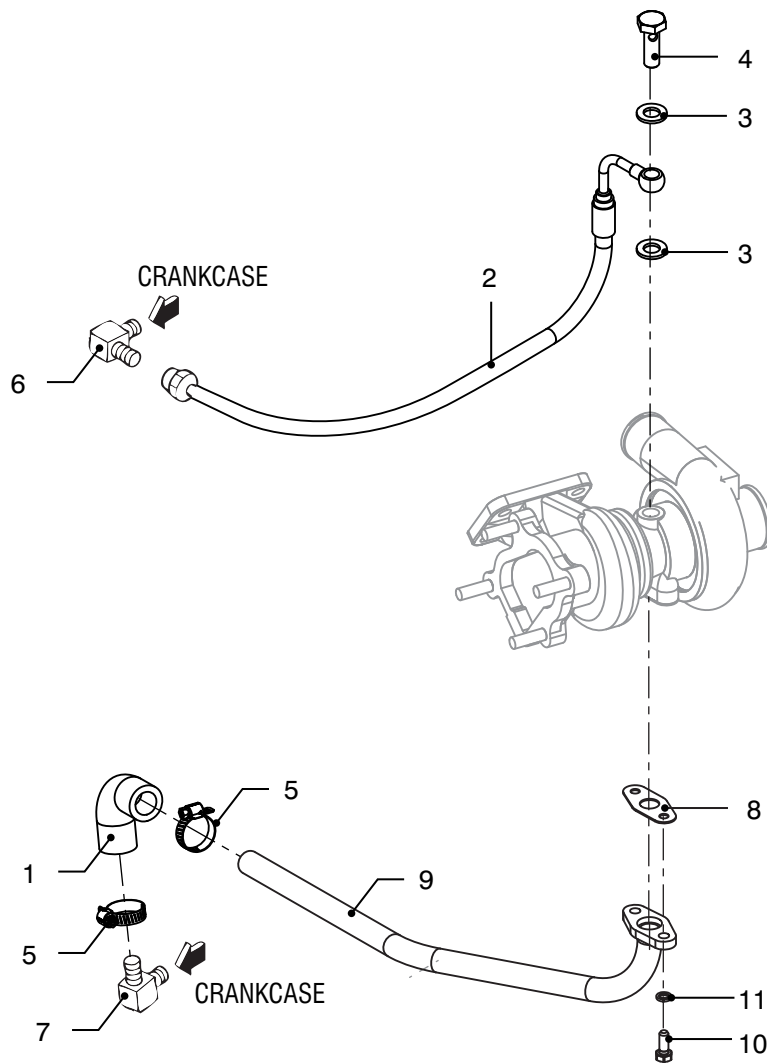


**M4.55**

**Slangen - koelsysteem, buitenwater, zee­waterpomp type 40**

**Hoses - cooling system, raw water, sea water pump type 40**

pos.	qty	part	benaming	description
1	1	STM9893	Zee­waterpomp type40	Seawater pump size40
2	1	STM6127	O-ring	O-ring
3	4	STM6126	Kikkerplaatje	Clamp plate
4	4	STM1653	Ring M8	Washer M8
5	4	STM1056	Veerring M8	Spring washer M8
6	4	STM2005	Moer M8	Nut M8
7	1	STM9891	Slang buitenwaterpomp <=> oliekoeler	Hose seawater pump <=> oil cooler
8	1	STM9892	Slang buitenwaterpomp <=> ww	Hose seawater pump <=> heat exchanger
9	1	STM7448	Slang oliekoeler <=> ww	Hose oil cooler <=> heat exchanger
10	1	STM5007	Oliekoeler 7"x55-G3/8 25mm	Oil cooler 7"x55-G3/8-25mm
11	1	STM3061	Klem RSGU1.35/20W1	Clamp RSGU1.35/20W1
12	1	STM2261	Bout M8x40	Bolt M8x40
13	1	STM7646	Bus l=10mm	Spacer l=10mm
14	1	STM1019	Gegolfde veerring M8	Wave spring washer M8
15	1	STM2005	Moer M8	Nut M8
16	4	STM3005	Slangklem 35-50	Hose clamp 35-50
17	2	STM2012	Slangklem 19-28	Hose clamp 19-28
18	1	STM7452	Slang injectiebocht	Hose injection elbow
19	2	STM7488	Slang beluchter (optie)	Hose air vent. (option)

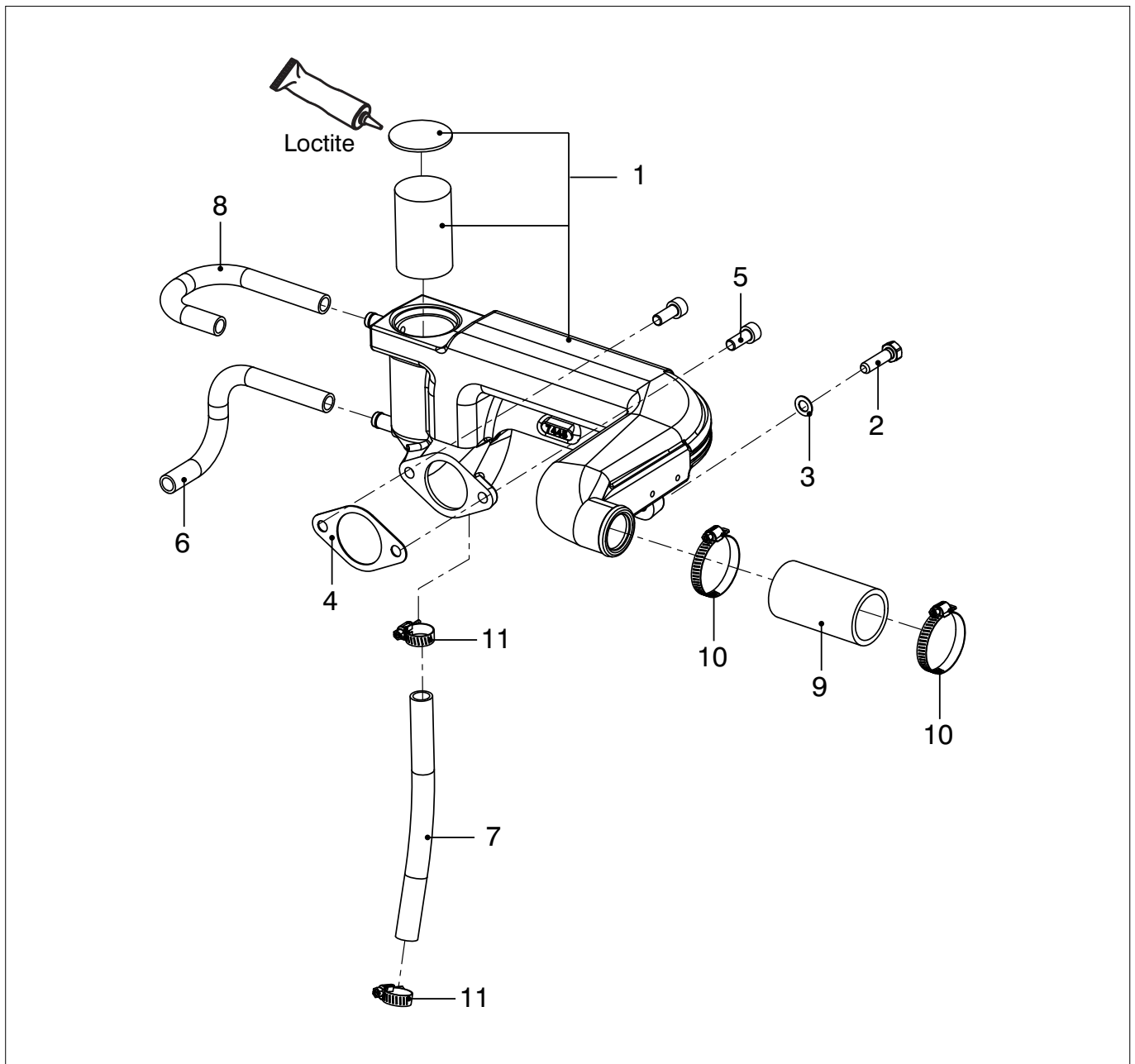


**M4.55**

**Turbo smeerolie**

**Turbo lubricating oil**

pos.	qty	part	benaming	description
1	1	STM7497	Siliconen bocht	Silicon elbow
2	1	STM7457	Slang turbo toevoerolie	Hose turbo
3	2	STM2018	Afdichtring M10	Seal washer M10
4	1	STM7487	Banjo bout M10x1,25	Banjo-bolt M10x1.25
5	2	STM9877	Slangklem 12-22	Hose clamp 12-22
6	1	STM9931	Kniestuk toevoer	Elbow supply
7	1	STM9930	Kniestuk retour	Elbow return
8	1	STM7477	Pakking	Gasket
9	1	STM7455	Olieteruglooppijp	Oil return pipe
10	2	STM1024	Bout M6 x 16	Bolt M6 x 16
11	2	CT40029	Veerring M6	Spring washer M6

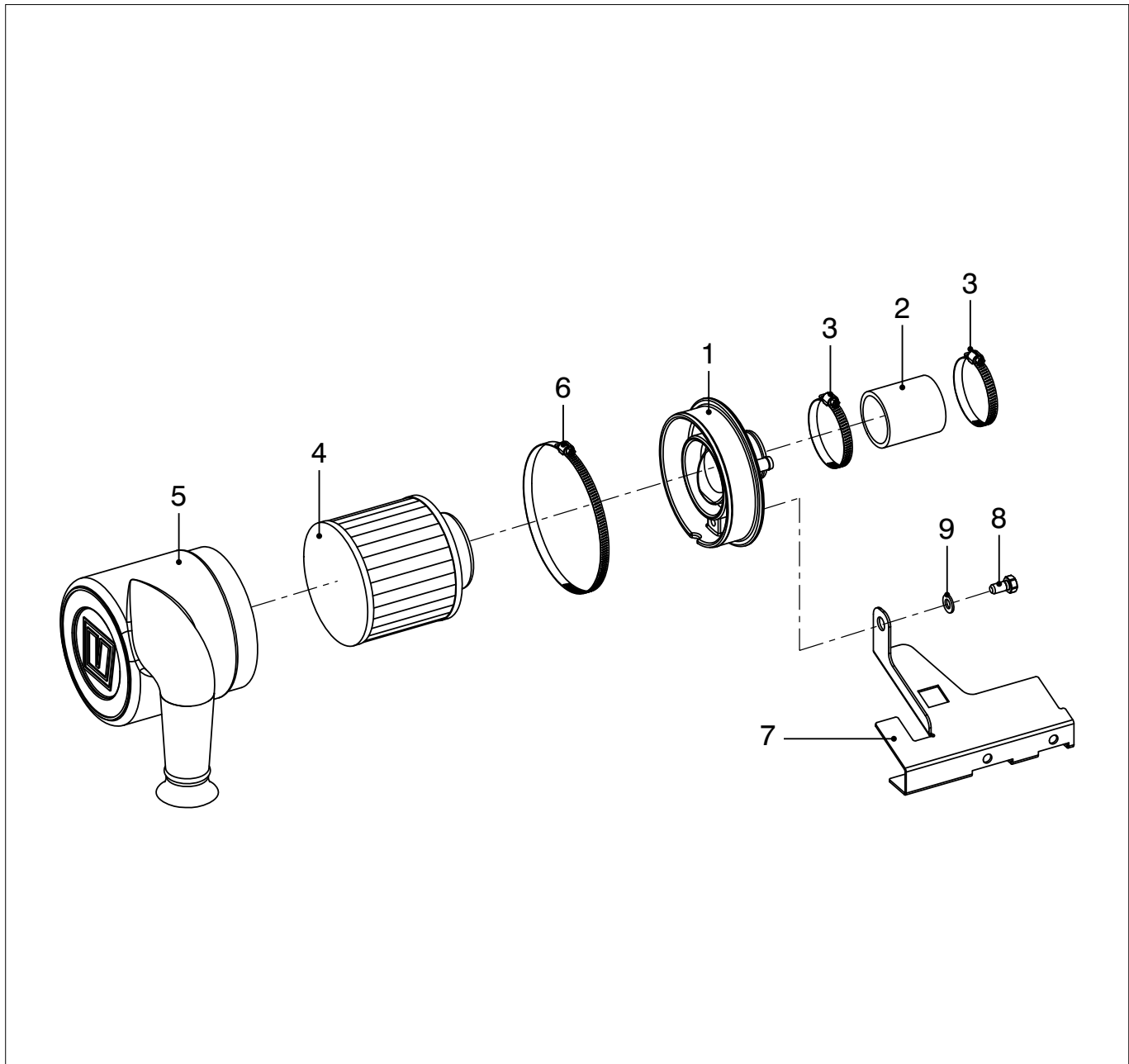


**M4.55**

**Luchtinlaatkast**

**Air intake housing**

pos.	qty	part	benaming	description
1	1	STM7490	Luchtinlaatkanaal compleet	Airintake pipe cpl.
2	1	STM7059	Bout M8x30	Bolt M8x30
3	1	STM1019	Gegolfde veerring M8	Wave spring washer M8
4	1	STM7474	Pakking	Gasket
5	2	STM3742	Inbusbout M8x20	Allen screw M8x20
6	1	STM7483	Slang Ø10 L=350mm	Hose Ø10 L=350mm
7	1	STM7499	Slang Ø12 L=270mm	Hose Ø12 L=270mm
8	1	STM7485	Slang Ø10 L=670mm	Hose Ø10 L=670mm
9	1	STM7475	Slang	Hose
10	2	STM3005	Slangklem 35-50	Hose clamp 35-50
11	2	STM9505	Slangklem 8-16	Hose clamp 8-16

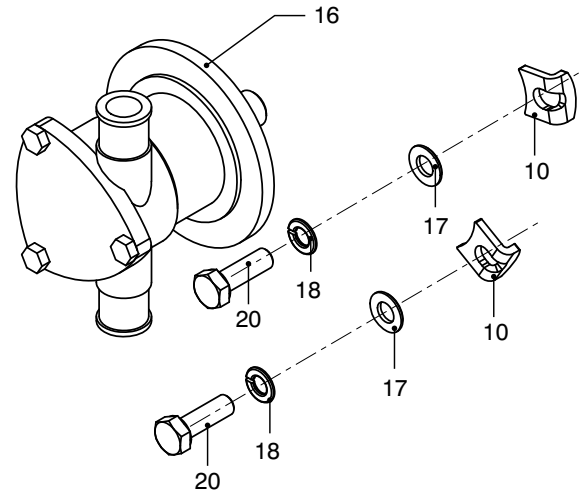
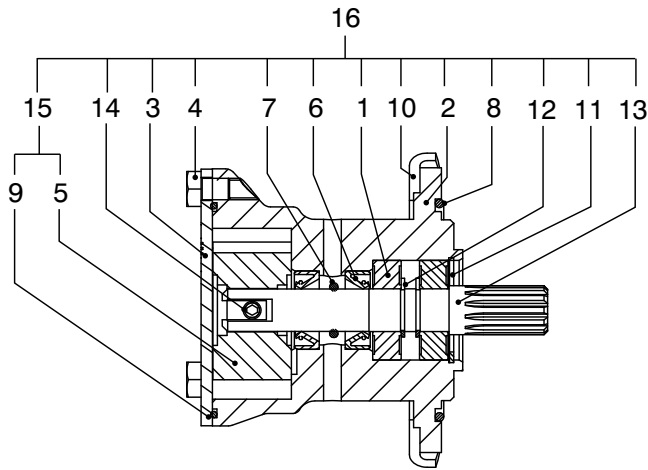
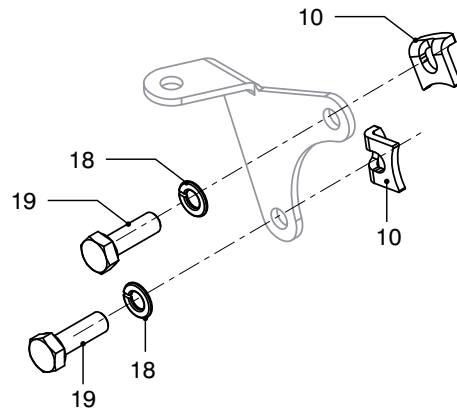
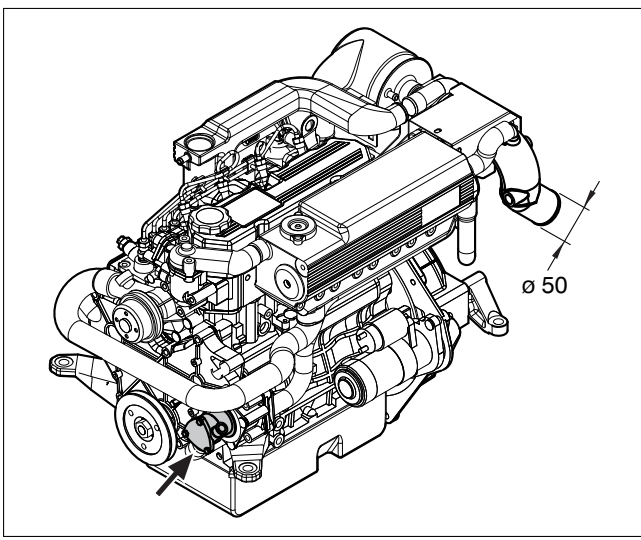


**M4.55**

**Luchtfilter**

**Air cleaner**

pos.	qty	part	benaming	description
1	1	STM7466	Luchtfilter adapter	Air cleaner adapter
2	1	STM7469	Slang	Hose
3	2	STM3005	Slangklem 35-50	Hose clamp 35-50
4	1	STM7467	Luchtfilter element	Air cleaner element
5	1	STM7468	Luchtfilter behuizing	Air cleaner case
6	1	STM9503	Slangklem 110-130	Hose clamp 110-130
7	1	STM7498	Steun oliekoeler	Support oilcooler
8	1	STM4055	Bout M8x16	Bolt M8x16
9	1	STM1653	Ring ø 8,5 x ø 16	Washer ø 8,5 x ø 16

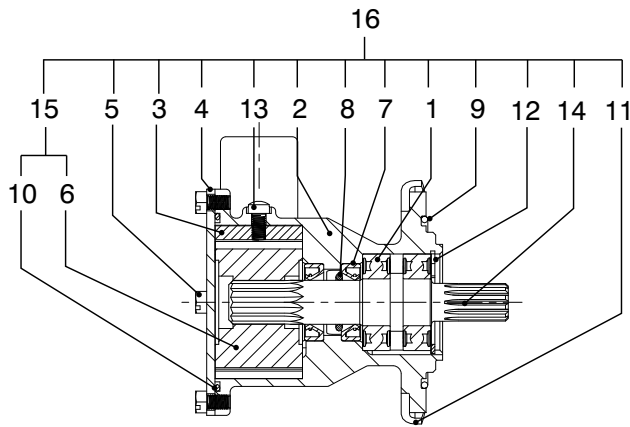
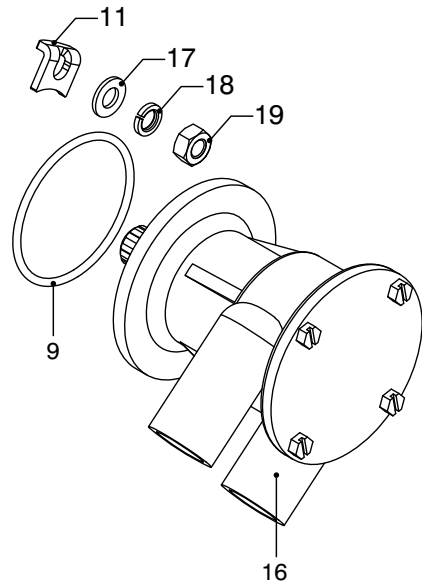
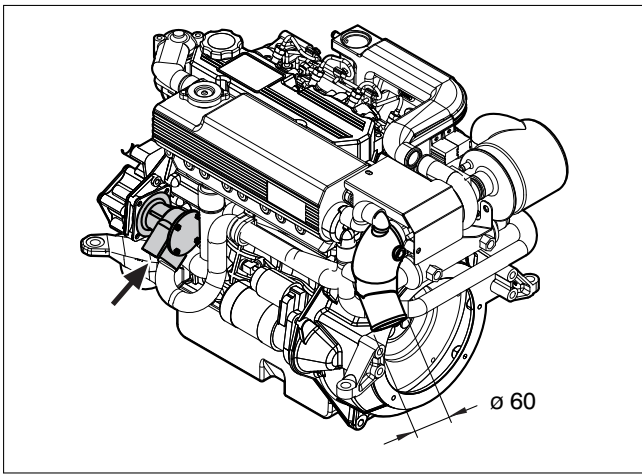


**M4.55**

**Zeewaterpomp, type 20**

**Seawater pump, type 20**

pos.	qty	part	benaming	description
1	2	STM6171	Lager	Ball bearing
2	1	STM7461	Pomphuis (volle kam)	Body (full cam)
3	1	STM7688	Deksel	End cover
4	3	STM7689	Bout	Hex. Head screw
5	1	STM7463	Impeller	Impeller
6	2	STM6169	Keerring	Lipseal
7	1	STM6168	O-ring	O-ring
8	1	STM6127	O-ring	O-ring
9	1	STM7696	O-ring	O-ring
10	4	STM6126	Kikkerplaatje	Clamp
11	1	STM6172	Borg clip	Retaining clip
12	2	STM6170	Borg clip	Retaining clip
13	1	STM6173	As	Shaft
14	1	STM6162	Schroef	Socket set screw
15	1	STM7464	Reparatie set (5+9)	Rep.set no. (5+9)
16	1	STM7460	Pomp compleet 42 l @ 3000 rpm	Pump cpl. 42 l @ 3000 rpm
17	2	STM1653	Ring M8	Washer M8
18	4	STM1056	Veerring M8	Spring washer M8
19	2	STM1610	Bout M8x25	Bolt M8x25
20	2	STM3355	Bout M8x20	Bolt M8x20



**M4.55**

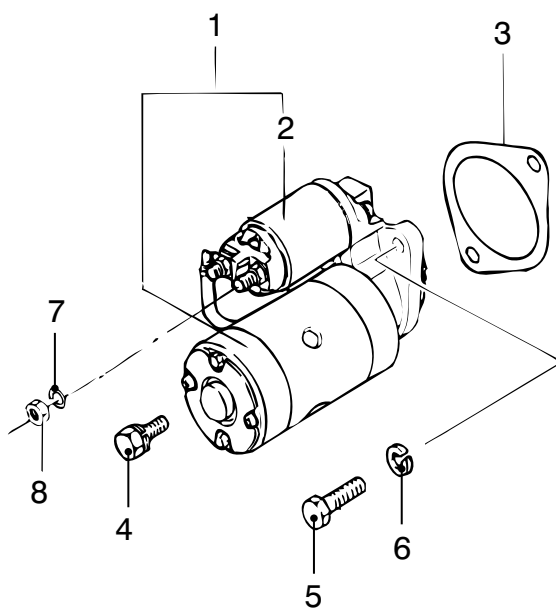
**Zeewaterpomp, type 40**

**Seawater pump, type 40**

pos.	qty	part	benaming	description
1	2	08-01014	Lager	Ball bearing
2	1	08-01015	Pomphuis	Body
3	1	08-01016	Kam	Cam
4	1	08-01017	Deksel	End cover
5	4	08-01018	Bout	Hex. Head screw
6	1	08-01019	Impeller 040	Impeller 040
7	2	08-01020	Keerring	Lipseal
8	1	08-01021	O-ring	O-ring
9	1	STM6127	O-ring	O-ring
10	1	08-01022	O-ring	O-ring
11	4	STM6126	Kikkerplaatje	Clamp
12	1	08-01023	Borgring	Retaining ring
13	1	08-01024	Schroef	Screw
14	1	08-01025	As	Shaft
15	1	08-01026	Reparatie set (10+6)	Rep.set no. (10+6)
16	1	STM9893	Pomp compleet	Pump cpl.
17	4	STM1653	Ring M8	Washer M8
18	4	STM1056	Veerring M8	Spring washer M8
19	4	STM2005	Moer M8	Nut M8





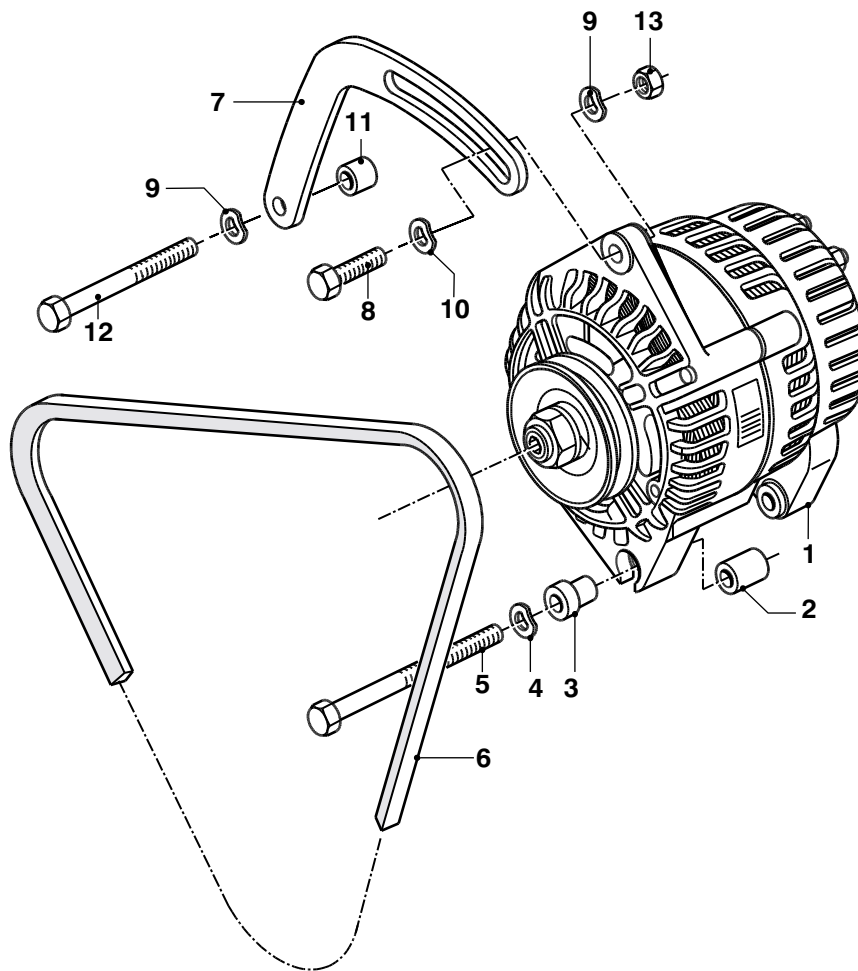


**M4.55**

**Startmotor**

**Starter motor**

pos.	qty	part	benaming	description
1	1	STM9973	Startmotor	Starter motor
2	1	STM7967	Relais	Relay
3	1	STM7936	Pakking	Gasket
4	1	STM7933	Bout	Bolt
5	1	STM7934	Bout	Bolt
6	1	STM7935	Ring	Washer
7	1	STM1019	Gegolfde veerring M8	Wave spring washer M8
8	1	STM7042	Messing moer M8	Brass nut M8

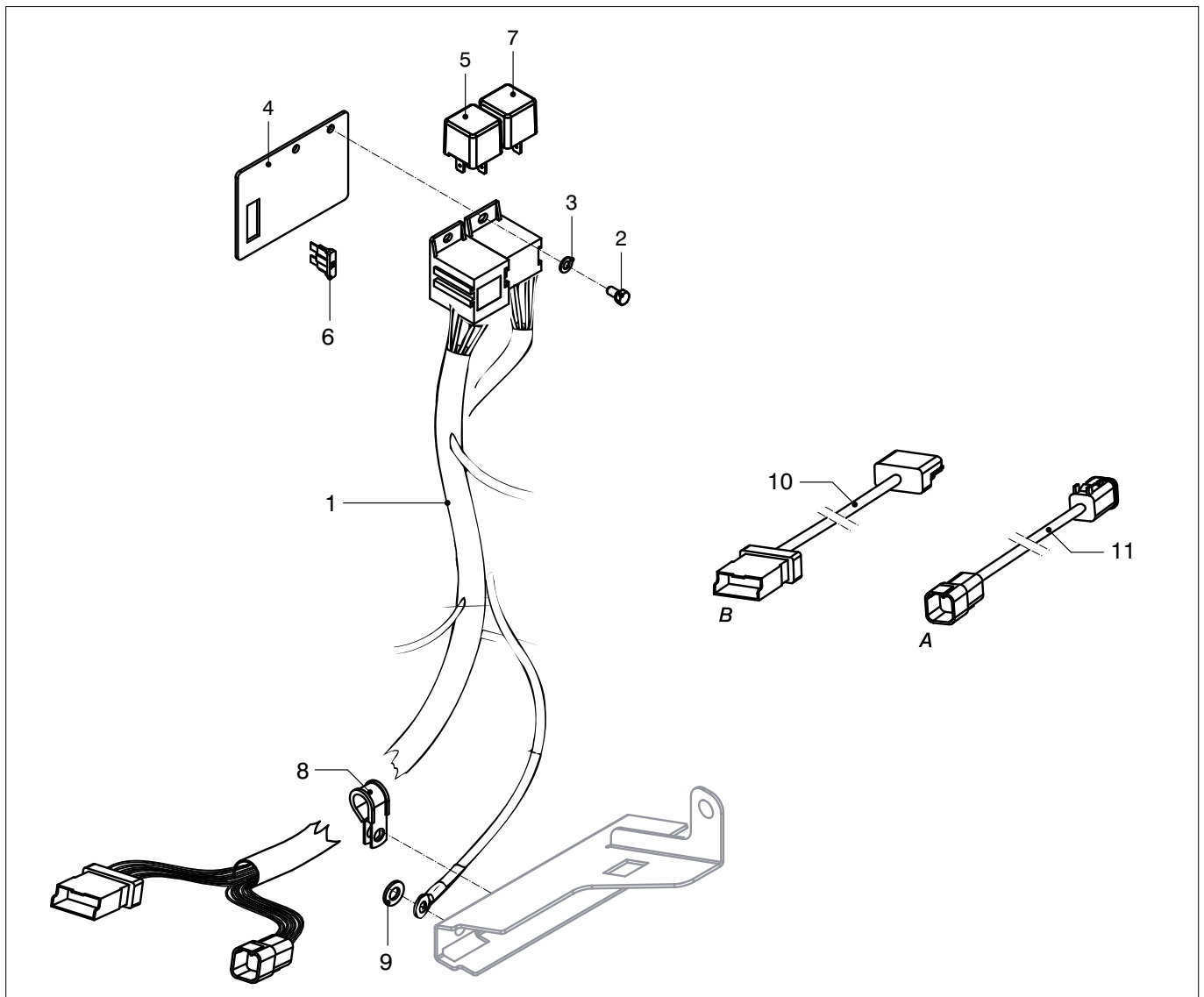


**M4.55**

**Dynamo**

**Alternator**

pos.	qty	part	benaming	description
1	1	STM9292	Dynamo 12V-110A 1polig	Alternator 12V-110A single pole
2	1	STM7640	Bus l=30	Bushing l=30
3	1	STM7641	Kraagbus	Collar bushing
4	1	STM2022	Gegolfde veerring M10	Wave spring washer M10
5	1	STM7642	Bout M10x120	Bolt M10x120
6	1	STM7643	V-snaar AVX 10x995la (spz)	V-belt AVX 10x995la
7	1	STM7627	Spansteun	Tensioner bracket
8	1	STM1610	Bout M8x25	Bolt M8x25
9	2	STM1056	Veerring M8	Spring washer M8
10	1	STM4619	Ring M8	Washer M8
11	1	STM7646	Bus l=10	Bushing l= 10
12	1	STM9682	Bout M8x75	Bolt M8x75
13	1	STM2005	Moer M8	Nut M8

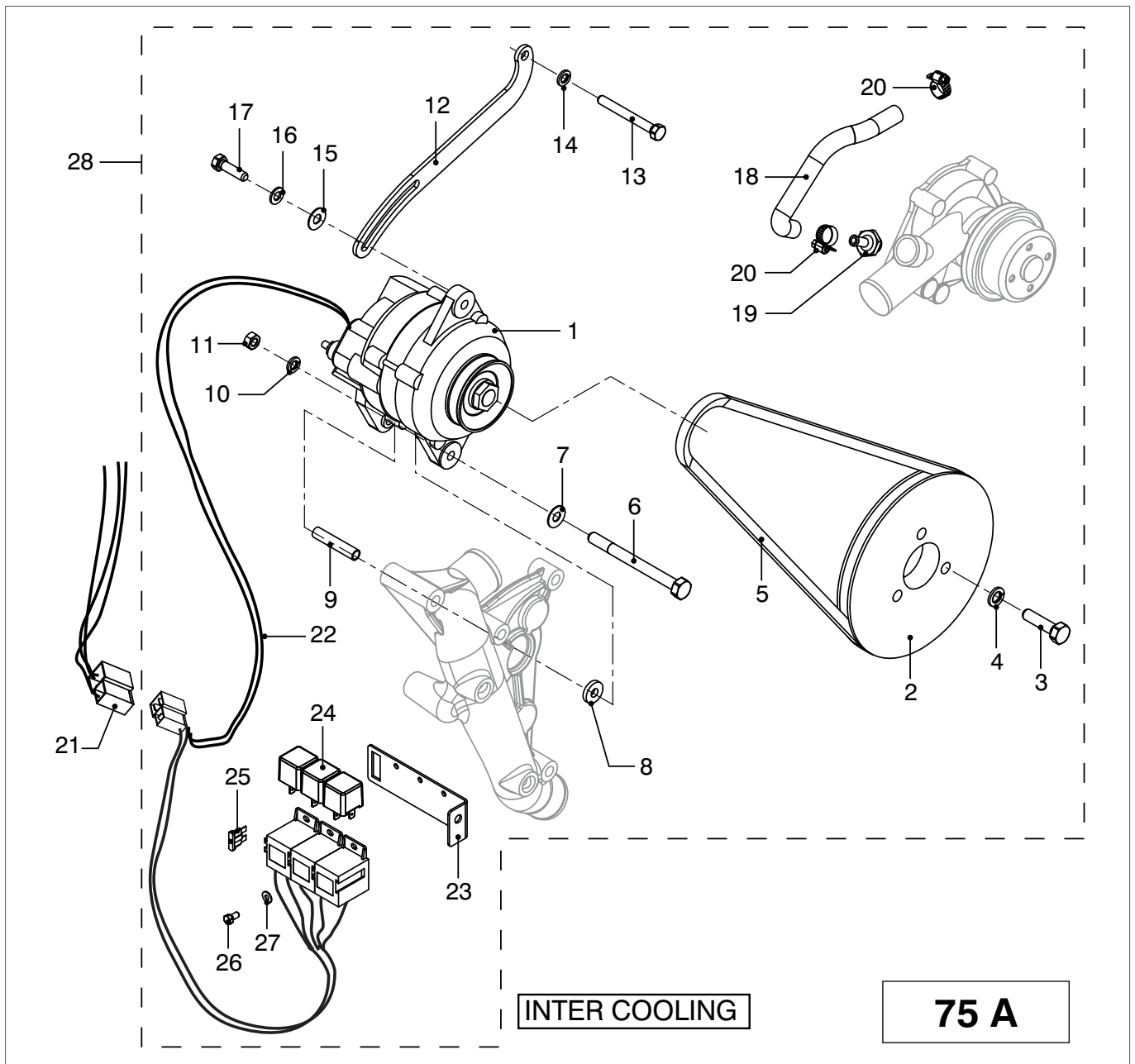


**M4.55**

**Motorbedrading en tussenkabels**

**Engine wiring and intermediate cables**

pos.	qty	part	benaming	description
1	1	STM7649	Motorbedrading	Engine wiring loom
	1	STM9862	Motorbedrading (met aansluiting voor 2e dynamo)	Engine wiring loom (with connection for 2nd alternator)
2	2	STM9063	Bout M5x10	Bolt M5
3	2	STM7047	Ring M5	Washer M5
4	1	STM7479	Relaishouder	Relay bracket
5	1	STM9043	Relais 12V-70A	Relay 12V-70A
6	1	STM4614	Steekzekering ATO 10A	ATO fuse 10A
7	1	STM9050	Relais 12V-30A	Relay 12V-30A
8	1	STM3066	Kabelklem	Cable clamp
9	1	STM1653	Ring	Washer
10	1	STM6941	Tussenkabel A 2 m grijs 6 polig	Intermediate cable A 2 gray 6 pole
		STM6942	Tussenkabel A 4 m grijs 6 polig	Intermediate cable A 4 gray 6 pole
		STM6943	Tussenkabel A 6 m grijs 6 polig	Intermediate cable A 6 gray 6 pole
		STM6944	Tussenkabel A 12 m grijs 6 polig	Intermediate cable A 12 gray 6 pole
11	1	STM6945	Tussenkabel B 2 m grijs 6 polig	Intermediate cable A 2 m gray 6 pole
		STM6946	Tussenkabel B 4m grijs 6 polig	Intermediate cable B 4 m gray 6 pole
		STM6947	Tussenkabel B 6m grijs 6 polig	Intermediate cable B 6 m gray 6 pole
		STM6948	Tussenkabel B 12m grijs 6 polig	Intermediate cable B 12 m gray 6 pole

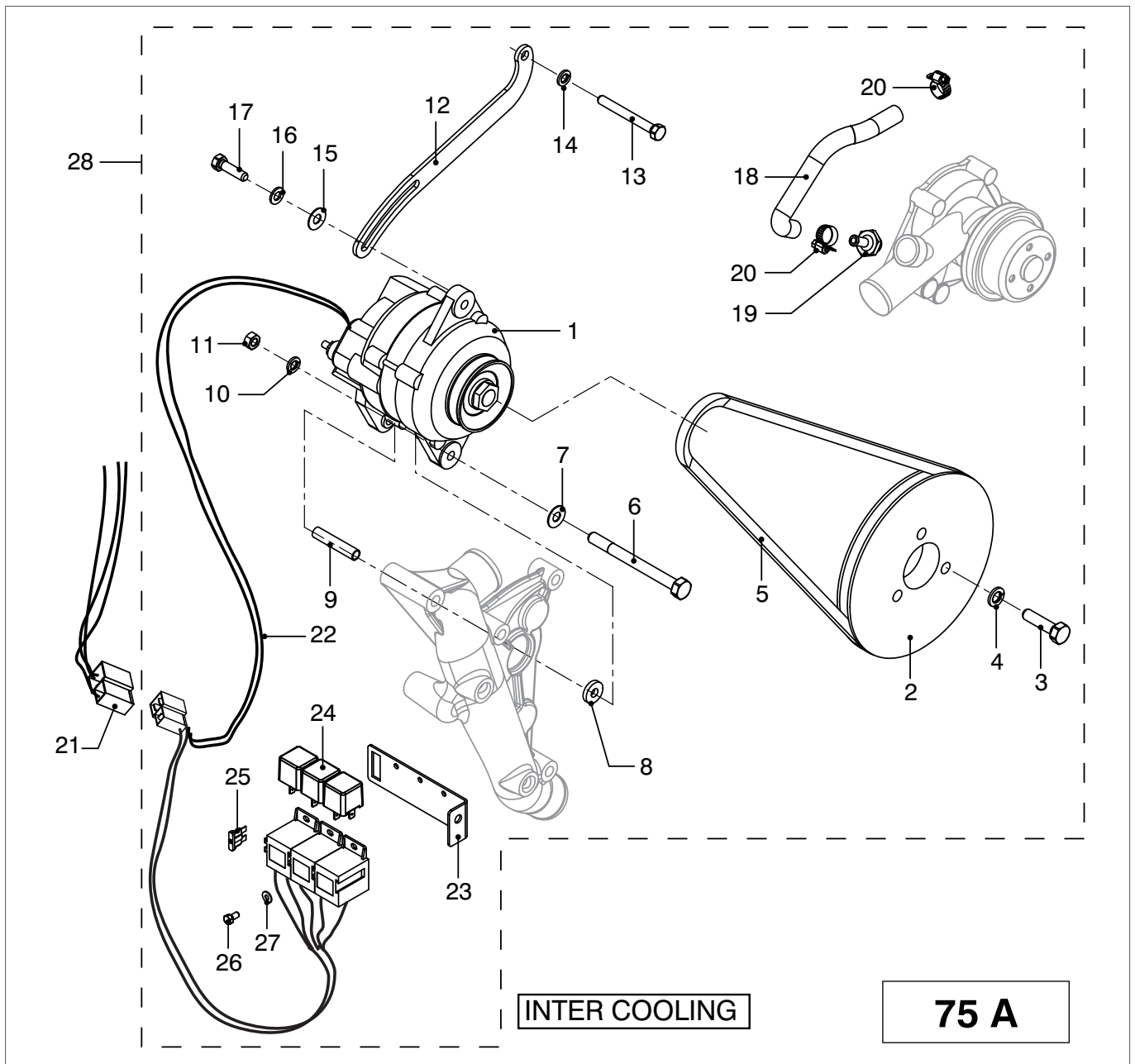


**M4.55**

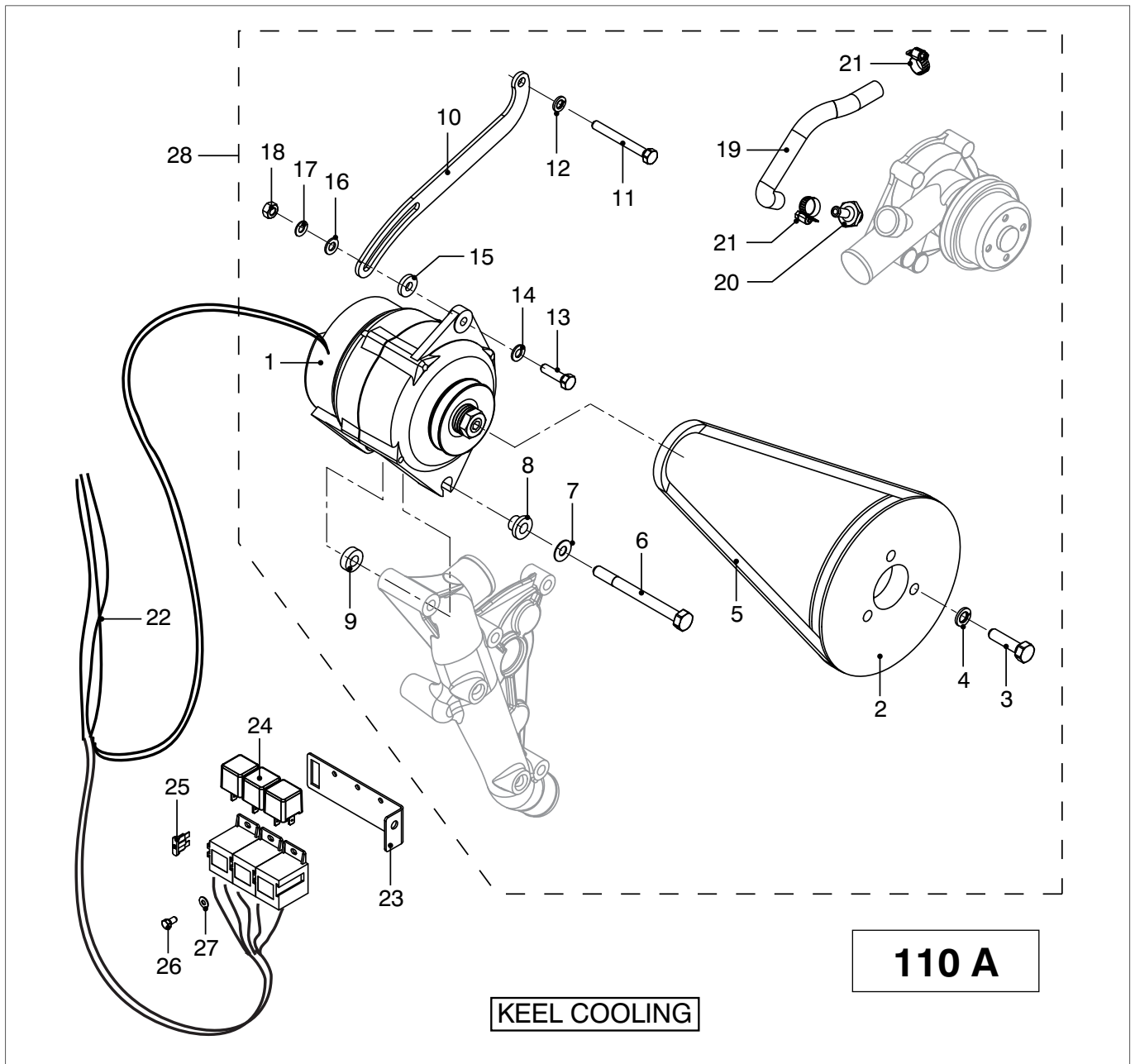
**Tweede dynamo 12 V - 75 A, 1p.,  
Interkoeling**

**Extension alternator 12 V - 75 A, 1p., Inter  
cooling**

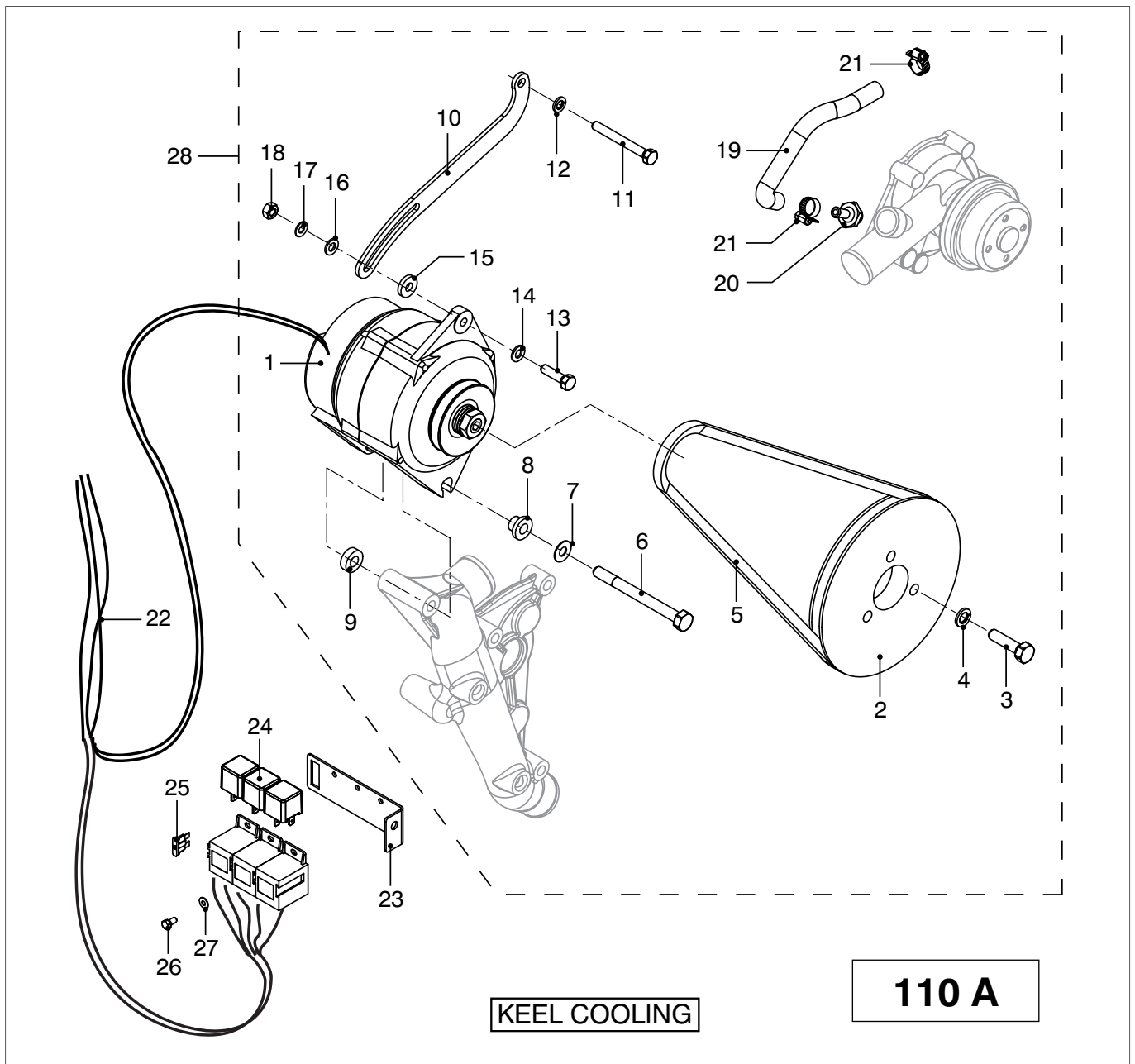
pos.	qty	part	benaming	description
1	1	STM7437	Dynamo 12V-75A 1p.	Alternator 12v-75A 1p.
2	1	STM7625	V-snaar schijf dw=176	Pulley dw=176
3	3	STM3688	Bout M10x1,25x40	Bolt M10x1,25x40
4	3	STM4014	Veerring M10	Spring washer M10
5	1	STM9857	V-snaar AVX10x1090la (spz)	V-belt AVX10x1090la (spz)
6	1	STM6121	Bout M8x110	M10x110
7	1	STM1653	Sluitring M8	Ring M8
8	1	CT30059	Bus 21x8,5 d=4	Bush 21x8,5 d=4
9	1	STM9854	Bus	Bush
10	1	STM1019	Veerring M8	Spring washer M8
11	1	STM2005	Moer M8	Nut M8
12	1	STM9856	Spansteun	Tensioner Bracket
13	1	STM6562	Bout M8x70	Bolt M8x70
14	1	STM1056	Veerring M8	Spring washer M8
15	1	STM4619	Ring	Washer
16	1	STM1019	Gegolfde veerring M8	Wave spring washer M8



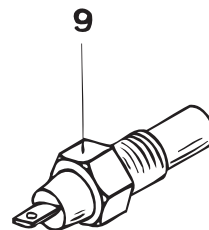
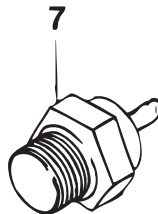
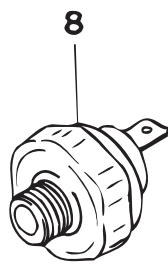
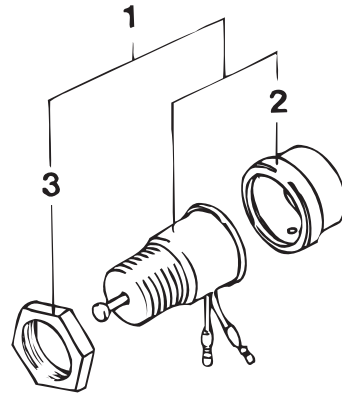
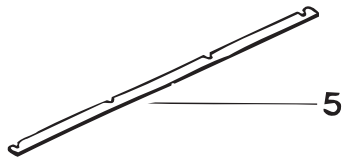
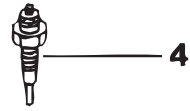
M4.55			Tweede dynamo 12 V - 75 A, 1p., Interkoeling	Extension alternator 12 V - 75 A, 1p., Inter cooling
pos.	qty	part	benaming	description
17	1	STM7059	Bout M8x30	Bolt M8x30
18	1	STM9440	Slang	Hose
19	1	STM9441	Slangpilaar	Hose pilar
20	2	STM3056	Slangklem	Hose clamp
21	1	STM9862	Motorbedrading	Engine wiring
22	1	STM9863	Bedrading extra dynamo 75 A	Wiring second alternator 75 A
23	1	STM9861	Relaissteun	Relay support
24	3	STM9050	Relais	Relais
25	1	STM4614	ATO Zekering 10A	ATO Fuse 10A
26	3	STM9063	Bout M5x10	Bolt M5x10
27	3	STM7294	Gegolfde veerring M5	Wave spring washer M5
28	1	STM9806	Set 2 <sup>e</sup> dynamo 75 A	Set 2 <sup>nd</sup> alternator 75 A



M4.55			Tweede dynamo 12 V - 110 A, 1p., kielkoeling	Extension alternator 12 V - 110 A, 1p., keel-cooling
pos.	qty	part	benaming	description
1	1	STM9292	Dynamo 12V-110A 1p.	Alternator 12v-110A 1p.
2	1	STM7625	V-snaar schijf dw=176	Pulley dw=176
3	3	STM3688	Bout M10x1,25x40	Bolt M10x1,25x40
4	3	STM4014	Veerring M10	Spring washer M10
5	1	STM9858	V-snaar AVX10x1113la (spz)	V-belt AVX10x1113la (spz)
6	1	STM7642	Bout M10x120	M10x120
7	1	STM2022	Gegolfde veerring M10	Wave spring washer M10
8	1	STM7641	Kraagbus	Collar bushing
9	1	STM9855	Bus 22x10,5 d=7	Bush 22x10,5 d=7
10	1	STM9856	Spansteun	Tensioner Bracket
11	1	STM6562	Bout M8x70	Bolt M8x70
12	1	STM1056	Veerring M8	Spring washer M8
13	1	STM7059	Bout M8x30	Bolt M8x30
14	1	STM1653	Sluitring M8	Ring M8
15	1	CT30059	Bus d=4	Spacer d=4
16	1	STM4619	Ring	Washer



M4.55			Tweede dynamo 12 V - 110 A, 1p., kielkoe- ling	Extension alternator 12 V - 110 A, 1p., keel- cooling
pos.	qty	part	benaming	description
17	1	STM1019	Gegolfde veerring M8	Wave spring washer M8
18	1	STM2005	Moer M8	Nut M8
19	1	STM9440	Slang	Hose
20	1	STM9441	Slangpilaar	Hose pilar
21	2	STM3056	Slangklem	Hose clamp
22	1	STM9864	Bedrading	Wiring
23	1	STM9861	Relaissteun	Relay support
24	3	STM9050	Relais	Relais
25	1	STM4614	ATO Zekering 10A	ATO Fuse 10A
26	3	STM9063	Bout M5x10	Bolt M5x10
27	3	STM7294	Gegolfde veerring M5	Wave spring washer M5
28	1	STM9805	Set 2 <sup>e</sup> dynamo 110 A	Set 2 <sup>nd</sup> alternator 110 A



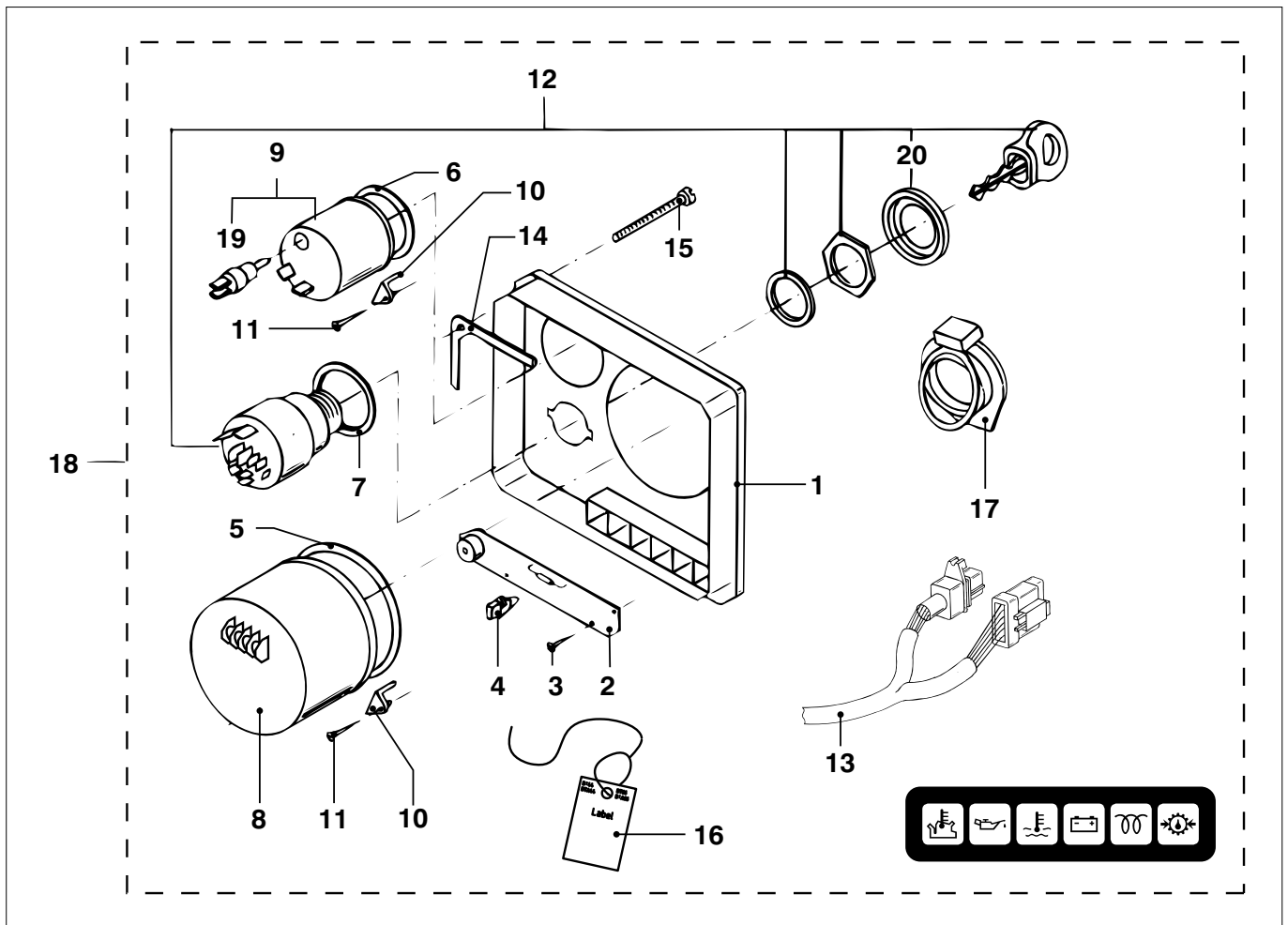
#### M4.55

#### Zenders + schakelaars

#### Sender units + switches

pos.	qty	part	benaming	description
1	1	STM2740	Stopmagneet cpl.	Solenoid cpl.
2	1	STM3650	Rubber kap	Rubber cap
3	1	STM2742	Moer	Nut
4	4	STM7931	Gloeibougie	Glow plu
5	1	STM7932	Strip	Plate
6	1	STM6269	Afdichtring M16	Seal washer M16
7	1	STM7999	Temp. schak. koelvl.st. 105 °C M16x1,5 1p	Temp. switch coolant 105 °C M16x1.5 1p
8	1	STM7834	Oliedrukschakelaar M10x1k 1p	Oil pressure switch M10x1k 1p
9	1	STM2006	Temp.schak. uitlaat 75°C M18x1,5 1p	Temp. switch exhaust 75°C M18x1.5 1p
10	1	STM2019	Afdichtring	Seal washer



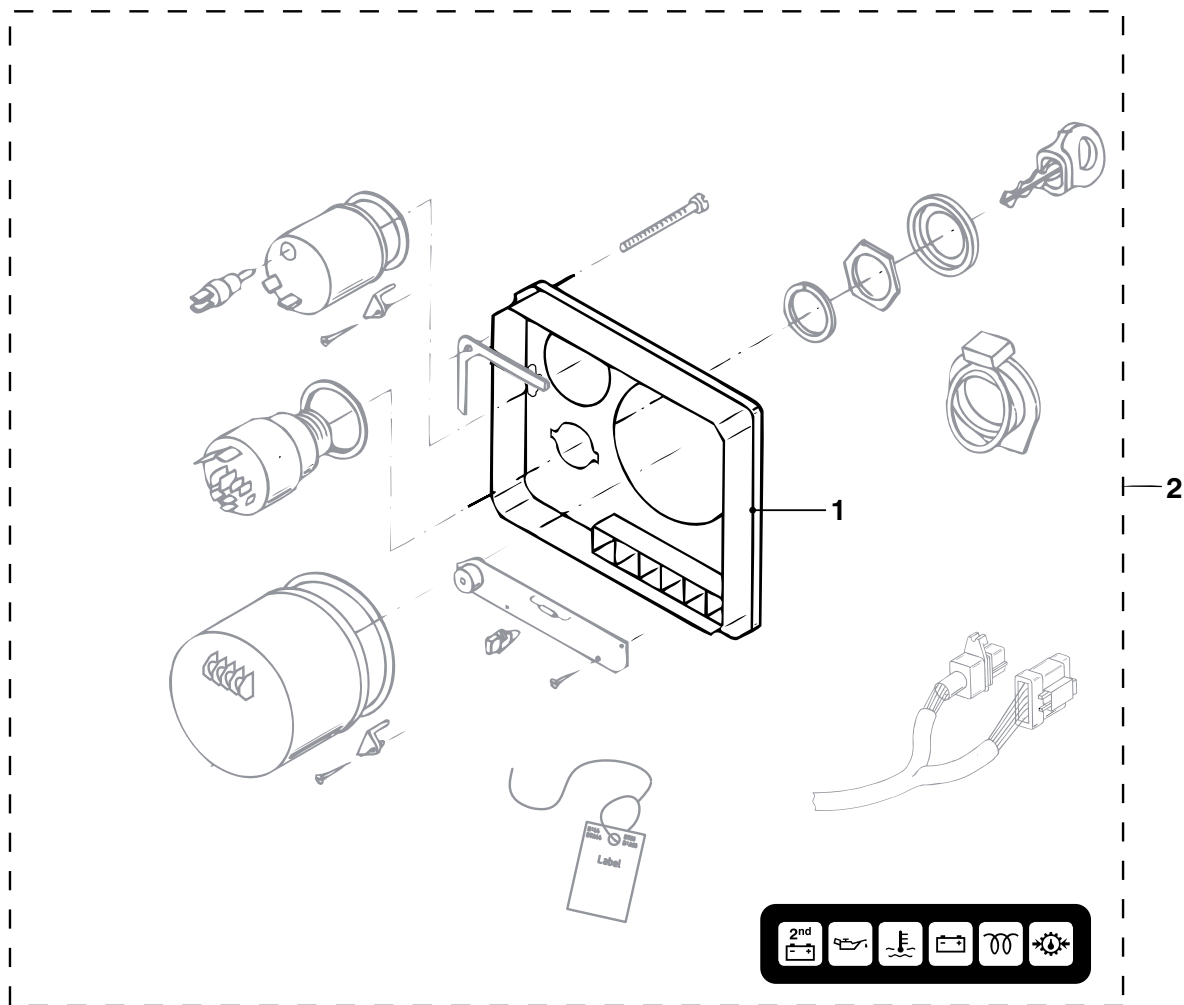


**M4.55**

**Instrumenten paneel '22' standaard**

**Instrument panel '22' standard**

pos.	qty	part	benaming	description
1	1	STM9186	Paneel incl. frontfolie	Panel incl. overlay
2	1	STM6912	Print MP20, 21, 22 cpl. 12 V	PCB MP20, 21, 22 cpl. 12 V
3	4	P2295RKP	Plaatschroef	Screw
4	6	STM9169	Gloeilamp 12 V	Bulb 12 V
5	1	STM9170	Pakking	Gasket
6	1	STM9171	Pakking	Gasket
7	1	STM9172	Pakking	Gasket
8	1	STM9176	Toeren/urenteller, zwart, 0-4000 rpm	Tachometer/hour counter, black, 0-4000 rpm
	1	LNTACHU	Toeren/urenteller, beige, 0-4000 rpm	Tachometer/hour counter, beige, 0-4000 rpm
9	1	STM9177	Voltmeter, zwart, 12 V	Voltmeter, zwart, 12 V
	1	LNVOLT12U	Voltmeter, beige, 12 V	Voltmeter, beige, 12 V
10	6	PA6488	Beugel	Bracket
11	6	P35134RKP	Plaatschroef	Screw
12	1	STM9215	Contactslot + sleutel	Key switch + key
13	1	STM6918	Paneelbedrading	Wiring
14	1	STM9180	Pakking	Gasket
15	4	P35254ZKP	Plaatschroef	Screw
16	1	STM9731	Label 'Afregele toerenteller'	Label 'Adjusting tachometer'
17	1	STM9188	Contactslot deksel	Key switch cover
18	1	MP22BS12A	Instr.paneel cpl. zwarte instr. 0-4000 rpm 12 V	Instr.panel cpl. black instr. 0-4000 rpm 12 V
	1	MP22BN12A	Instr.paneel cpl. beige instr. 0-4000 rpm 12 V	Instr.panel cpl. beige instr. 0-4000 rpm 12 V
19	1	CT40133	Gloeilamp 12 V	Bulb 12 V
20	1	STM9888	Kap	Cover

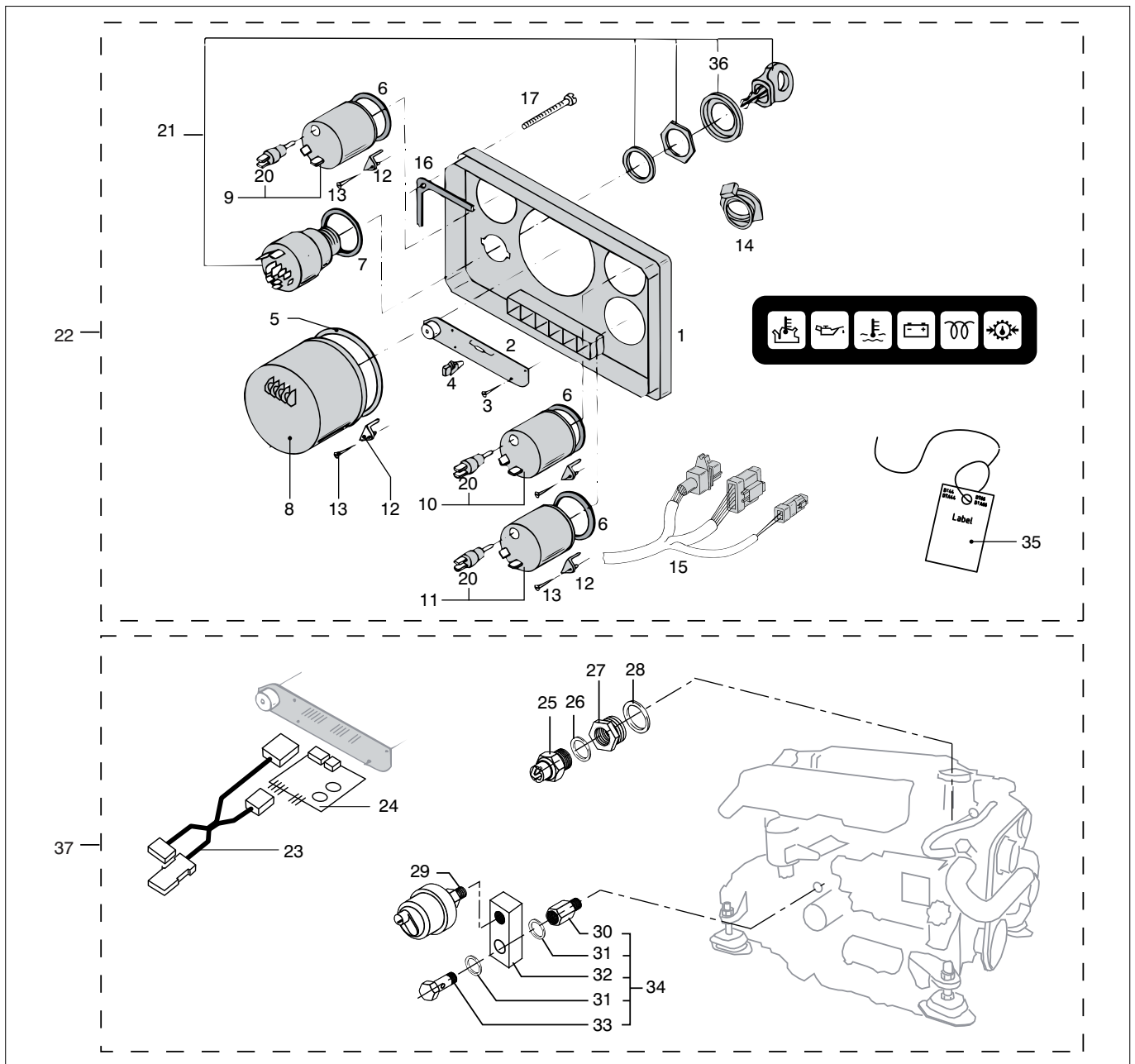


**M4.55**

**Instr. paneel model '22' voor motor met 2<sup>e</sup> dynamo, kielkoeling**

**Instr. panel model '22' for engine with 2<sup>nd</sup> alternator, keel cooling**

pos.	qty	part	benaming	description
1	1	STM6993	Paneel incl. fr.folie met 2 x laadcont. symbool	Panel incl. overlay w. 2 x batt.charging symb.
2	1	MP22BS12D	Instr.paneel cpl. zwarte instr. 0-4000 rpm 12 V	Instr.panel cpl. black instr. 0-4000 rpm 12 V
	1	MP22BN12D	Instr.paneel cpl. beige instr. 0-4000 rpm 12 V	Instr.panel cpl. beige instr. 0-4000 rpm 12 V

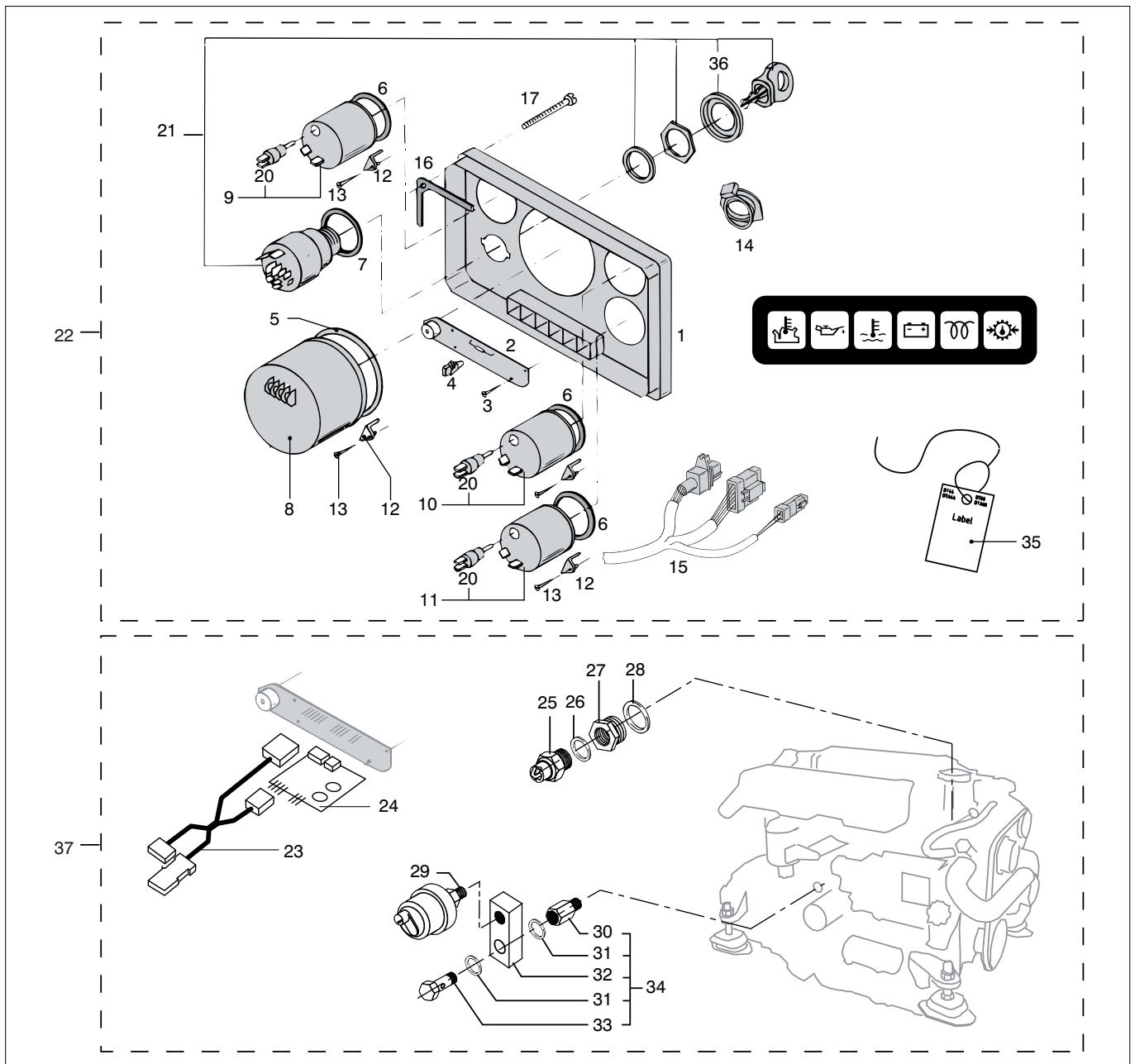


**M4.55**

**Instr. paneel model '34'**

**Instr. panel model '34'**

pos.	qty	part	benaming	description
1	1	STM6571	Paneel incl. fr.folie	Panel incl. overlay
2	1	STM6914	Print MP34 cpl. 12 V	PCB MP34 cpl. 12 V
3	4	P2295RKP	Plaatschroef	Screw
4	6	STM9169	Gloeilamp 12 V	Bulb 12 V
5	1	STM9170	Pakking	Gasket
6	3	STM9171	Pakking	Gasket
7	1	STM9172	Pakking	Gasket
8	1	STM9176	Toeren/urenteller, zwart, 0-4000 rpm	Tachometer/hour counter, black, 0-4000 rpm
	1	LNTACHU	Toeren/urenteller, beige, 0-4000 rpm	Tachometer/hour counter, beige, 0-4000 rpm
9	1	STM9177	Voltmeter, zwart, 12 V	Voltmeter, black, 12 V
	1	LNVOLT12U	Voltmeter, beige, 12 V	Voltmeter, beige, 12 V
10	1	STM9178	Temperatuurmeter, zwart, 40-120°C 12 V	Temperature gauge, black, 40-120°C, 12 V
	1	LNTEMP12U	Temperatuurmeter, beige, 40-120°C 12 V	Temperature gauge, beige, 40-120°C, 12 V
11	1	STM9179	Oliedrukmeter, zwart, 0-8 bar, 12 V	Oil pressure gauge, black, 0-8 bar, 12 V
	1	LNOIL12U	Oliedrukmeter, beige, 0-8 bar, 12 V	Oil pressure gauge, beige, 0-8 bar, 12 V
12	6	PA6488	Beugel	Bracket

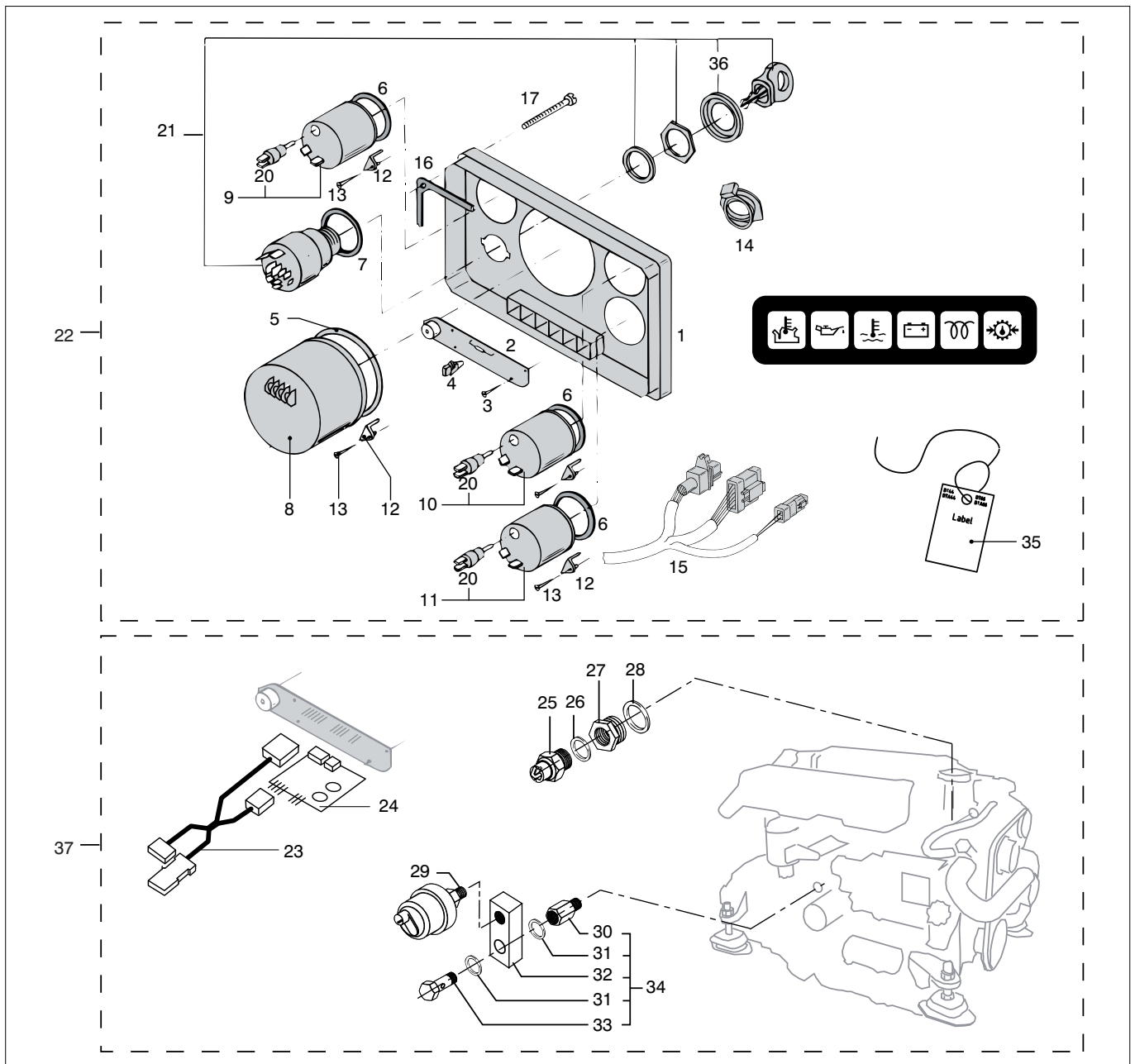


**M4.55**

**Instr. paneel model '34'**

**Instr. panel model '34'**

pos.	qty	part	benaming	description
13	6	P35134RKP	Plaatschroef	Screw
14	1	STM9188	Contactslot deksel	Key switch cover
15	1	STM6918	Paneelbedrading	Wiring
16	1	STM9181	Pakking	Gasket
17	4	P35254ZKP	Plaatschroef	Screw
18	2	CT40131	Gloeilamp 12 V	Bulb 12 V
20	1	CT40133	Gloeilamp 12 V	Bulb 12 V
21	1	STM9215	Contactslot + sleutel	Key switch + key
22	1	MP34BS12A	Instr.paneel cpl. zwarte instr. 0-4000 rpm 12 V	Instr.panel cpl. black instr. 0-4000 rpm 12 V
	1	MP34BN12A	Instr.paneel cpl. beige instr. 0-4000 rpm 12 V	Instr.panel cpl. beige instr. 0-4000 rpm 12 V
23	1	STM6955	Verloopkabel (MPVB2)	Cable (MPVB2)
24	1	STM6911	Interface	Interface
25	1	STM8326	Binnenwater temperatuur zender M14x1,5 12-24 V 40-120°C	Temp. sender coolant M14x1,5 12-24 V 40-120°C
26	1	STM1062	Afdichtring	Seal

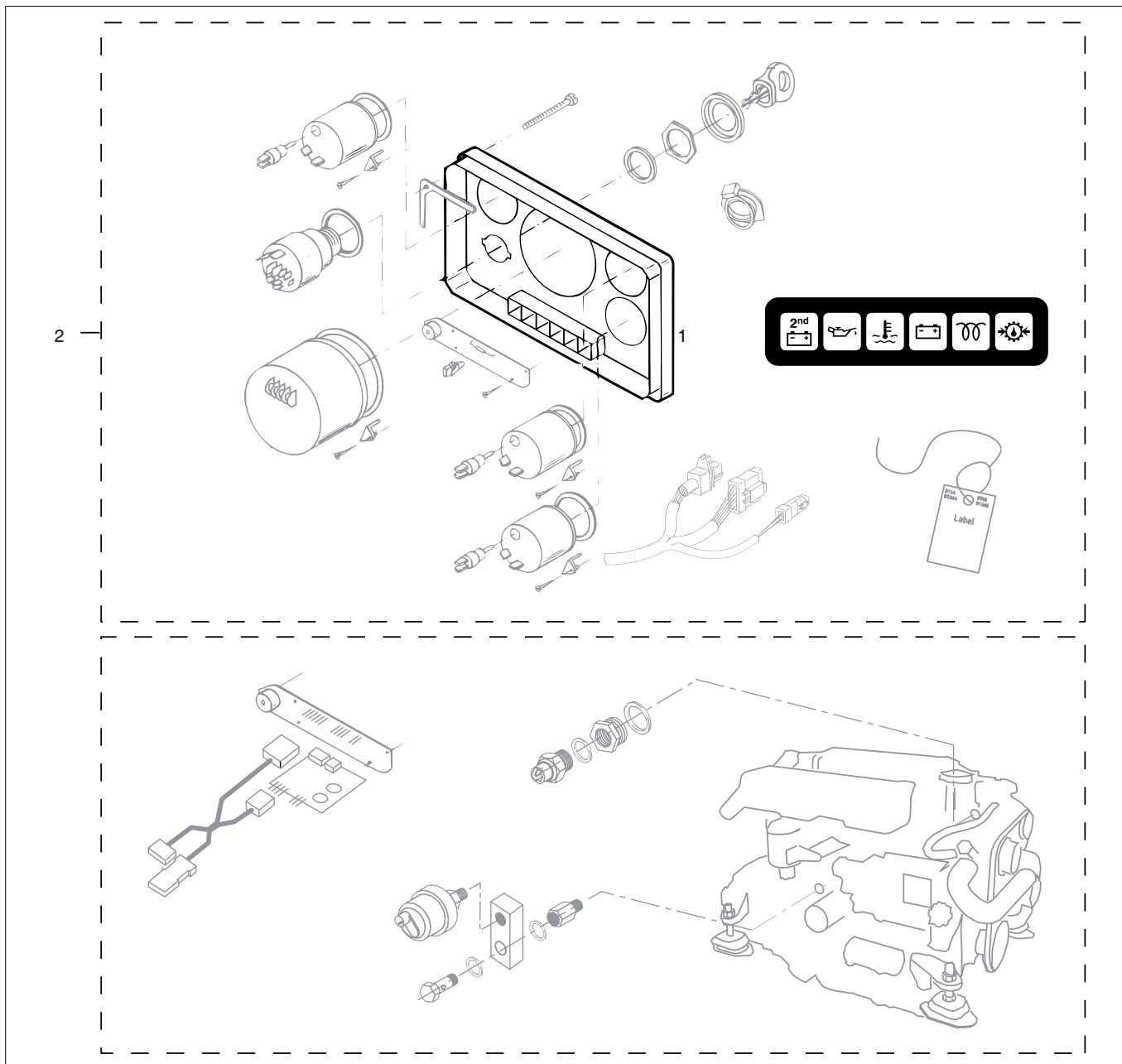


**M4.55**

**Instr. paneel model '34'**

**Instr. panel model '34'**

pos.	qty	part	benaming	description
27	1	AD14-16	Verloop	Adaptor
28	1	STM6269	Afdichtring	Seal
29	1	CT40083	Oliedrukzender	Sender oil pressure
30	1	STM6341	Verloop	Adaptor
31	2	STM2018	Afdichtring	Seal
32	1	STM7580	Verloopblok	Adaptor block
33	1	STM7582	Holbout	Hollow bolt
34	1	STM7581	Verloopset	Adaptor set
35	1	STM9731	Label 'Afregele toerenteller'	Lable 'Adjusting tachometer'
36	1	STM9888	Kap	Cover
37	1	STM6961	Set uitgebreid paneel	Set extended panel

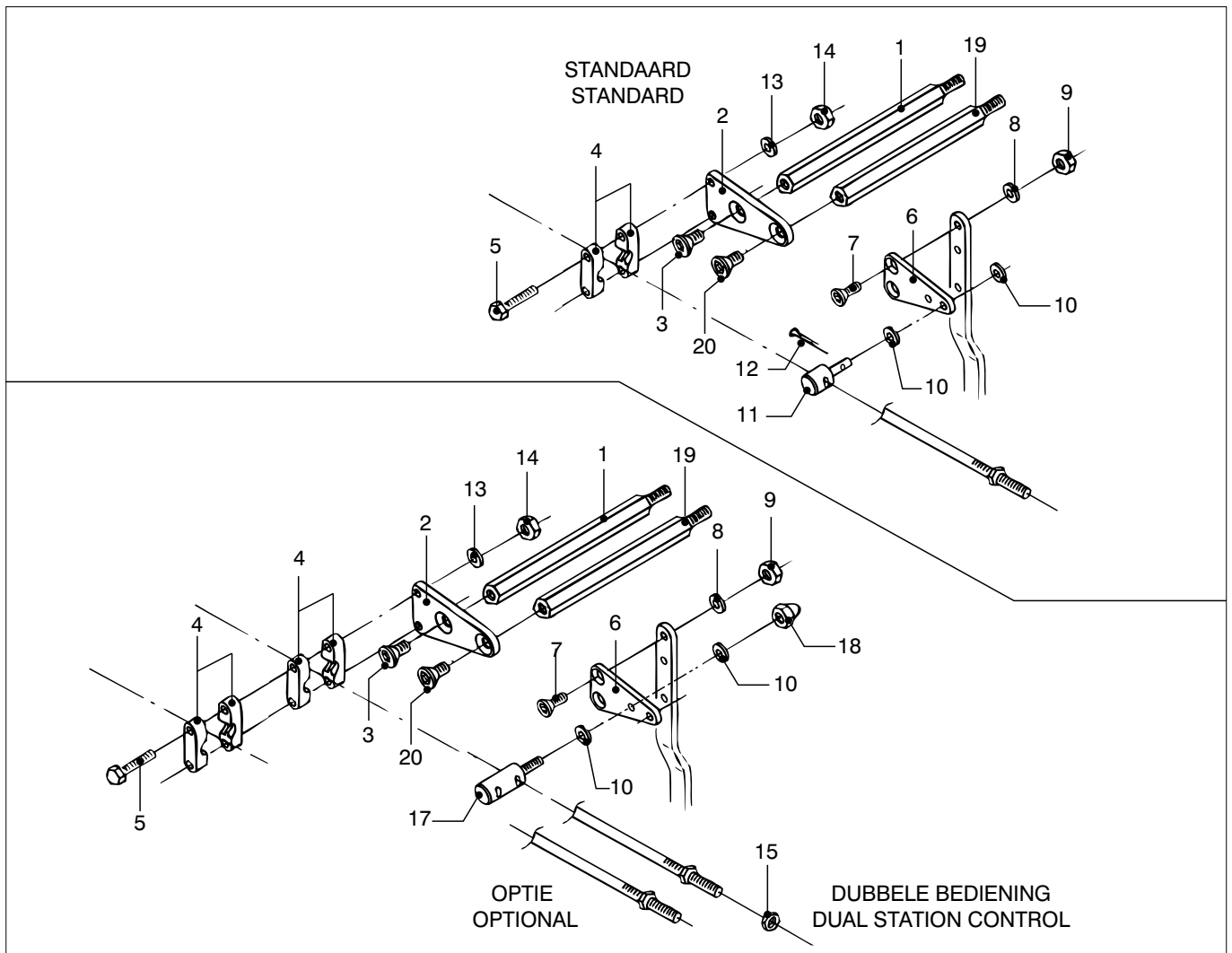


**M4.55**

**Instr. paneel model '34' voor motor met 2<sup>e</sup> dynamo, kielkoeling**

**Instr. panel model '34' for engine with 2<sup>nd</sup> alternator, keel cooling**

pos.	qty	part	benaming	description
1	1	STM6994	Paneel incl. fr.folie met 2 x laadcont. symbool	Panel incl. overlay w. 2 x batt.charging symb.
2	1	MP34BS12D	Instr.paneel cpl. zwarte instr. 0-4000 rpm 12 V	Instr.panel cpl. black instr. 0-4000 rpm 12 V
	1	MP34BN12D	Instr.paneel cpl. beige instr. 0-4000 rpm 12 V	Instr.panel cpl. beige instr. 0-4000 rpm 12 V

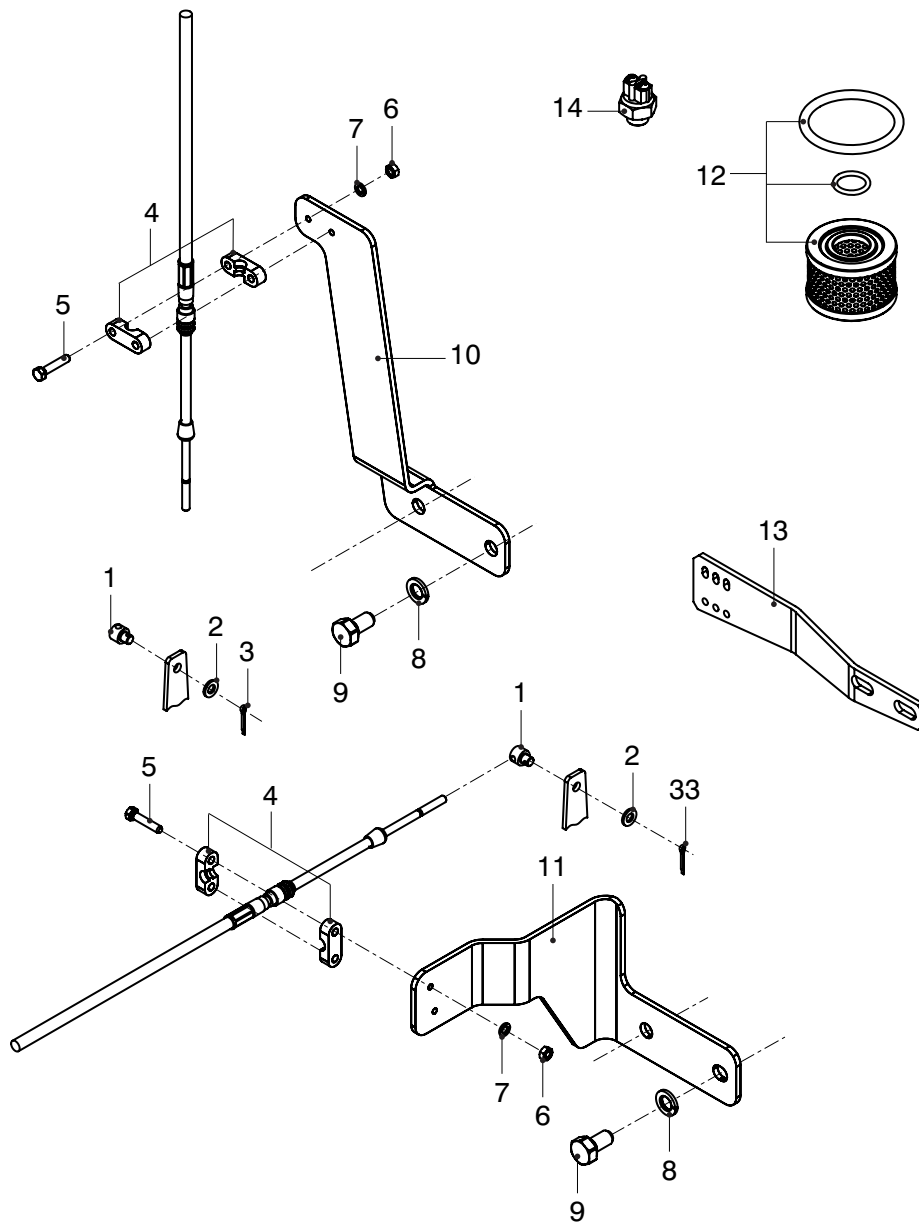


**M4.55**

**Bediening, GAS**

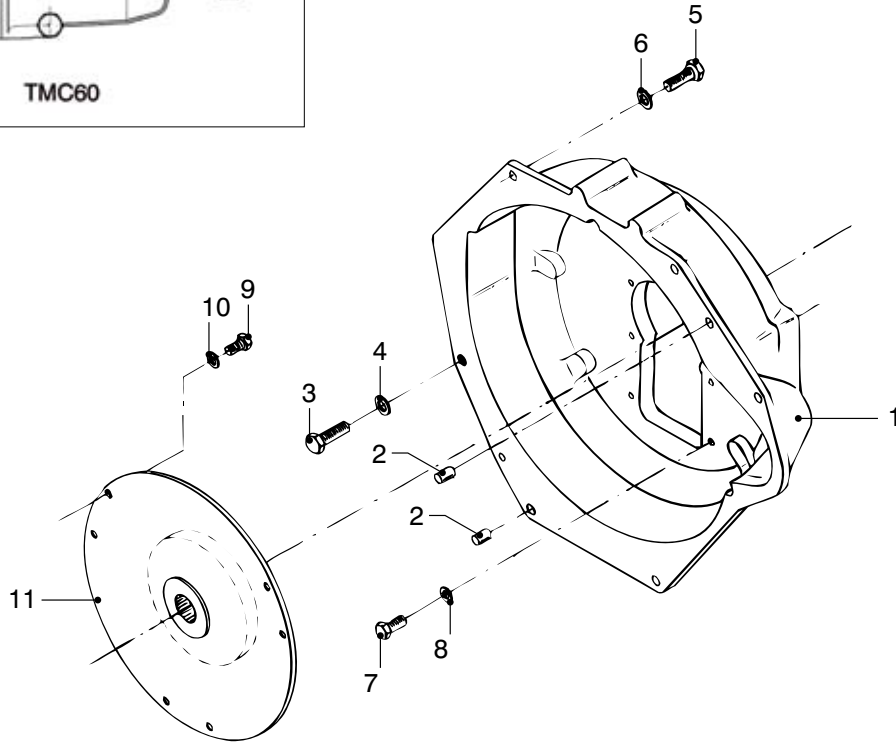
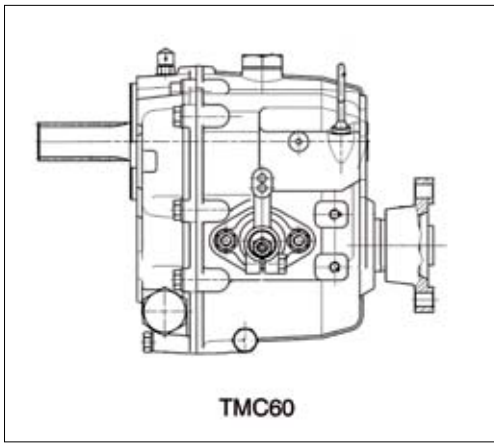
**Controls, THROTTLE**

pos.	qty	part	benaming	description
1	1	STM8255	Afstandhouder l=126	Spacer l=126
2	1	STM7576	Bevestigingssteun	Support
3	1	STM7593	Schroef M8x6	Screw M8x6
4	1	STM1703	Kabelklem (standaard)	Cabel clamp (standard)
	2	STM1703	Kabelklem (optie)	Cabel clamp (optional)
5	2	STM1704	Bout M5x25 (standaard)	Bolt M5x25 (standard)
6	1	STM7577	Hefboom	Lever
7	2	STM7594	Schroef M6x16	Screw M6x16
8	2	STM1025	Gegolfde veerring M6	Wave spring washer M6
9	2	STM8569	Moer M6	Nut M6
10	2	STM1807	Ring M6	Washer M6
11	1	STM1806	Kabelnippel (standaard)	Cable nipple (standard)
12	1	STM1808	Splitpen 2x25 (standaard)	Split pin 2x25 (standard)
13	4	STM1707	Ring M5	Washer M5
14	4	STM1705	Moer M5	Nut M5
15	1	STM6568	Moer 10-32UNF (optie)	Nut 10-32UNF (optional)
16	2	STM1907	Bout M5x40 (optie)	Bolt M5x40 (optional)
17	1	STM1902	Gaskabel nippel (optie)	Throttle nipple (optional)
18	1	STM8129	Zelfborgende moer M6 (optie)	Nyloc nut M6 (optional)
19	1	STM7472	Afstandhouder l=122	Spacer l=122
20	1	STM7458	Schroef M8 x 20	Screw M8 x 20


**M4.55**
**Bediening, KEERKOPPELING**
**Controls, GEARBOX**

pos.	qty	part	benaming	description
1	1	STM1806	Kabelnippel	Cable nipple
2	1	STM1807	Ring	Washer
3	1	STM1808	Splitpen	Split pin
4	1	STM1703	Kabelklem	Cable clamp
5	2	STM1704	Bout M5x25	Bolt M5x25
6	2	STM1705	Moer M5	Nut M5
7	2	STM1019	Veerring M5	Spring washer M5
8	2	STM4014	Veerring M10	Spring washer M10
9	2	STM9765	Bout 3/8" UNC x 3/4"	Bolt 3/8" UNC x 3/4"
10	1	STM9750	Steun ZF vertikaal	Support ZF vertical
11	1	STM9742	Steun ZF horizontaal (optie)	Support ZF horizontal (option)
12	1	CT50081	Oliefilter ZF	Oil filter ZF
13	1	STM6238	Steun Technodrive TM345(A)	Support Technodrive TM345(A)
	1	STM6239	Steun Technodrive TMC60	Support Technodrive TMC60
14	1	STM5180	Neutraal schakelaar ZF	Neutral safety switch ZF



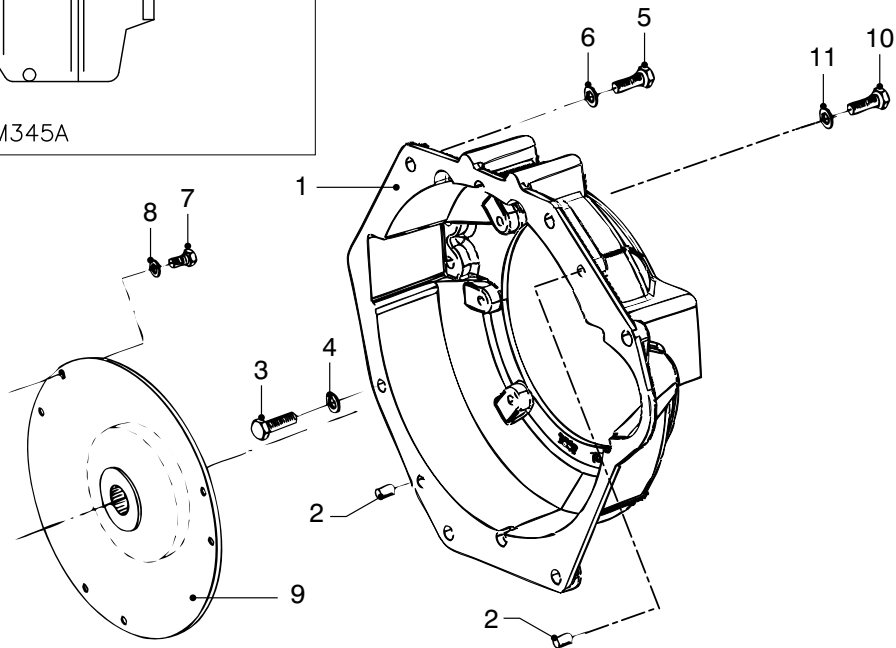
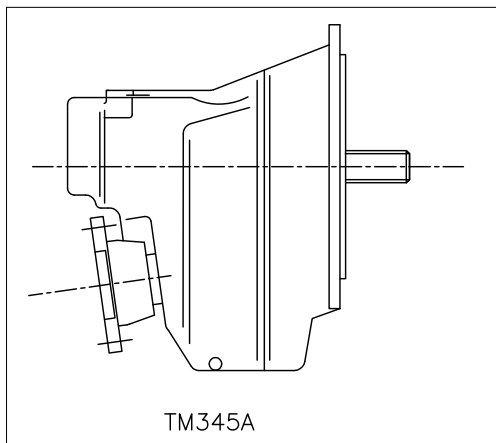


**M4.55**

**Vliegwielhuis TMC60**

**Flywheel housing TMC60**

pos.	qty	part	benaming	description
1	1	STM7566	Vliegwielhuis ø 88	Flywheel housing ø 88
2	2	STM3813	Paspen 10x12 DIN7	Pin 10x12 DIN7
3	1	STM7053	Bout M12x1,25x30	Bolt M12x1.25x30
4	1	STM4003	Veerring M12	Spring washer M12
5	4	STM7053	Bout M12x1,25x30	Bolt M12x1.25x30
6	4	STM4056	Gegolfde veerring M12	Wave spring washer M12
7	6	STM7059	Bout M8x1,25x30 TMC60	Bolt M8x1,25x30 TMC60
	6	STM1610	Bout M8x1,25x25 TMC60M	Bolt M8x1,25x25 TMC60M
	6	STM7059	Bout M8x1,25x30 TMC60E	Bolt M8x1,25x30 TMC60E
8	6	STM1019	Gegolfde veerring M8	Wave spring washer M8
9	6	STM4055	Bout M8x1,25x16	Bolt M8x1.25x16
10	6	STM1056	Veerring M8	Spring washer M8
11	1	STM4104	Demperplaat DIN splines z=10	Damperplate DIN splines z=10

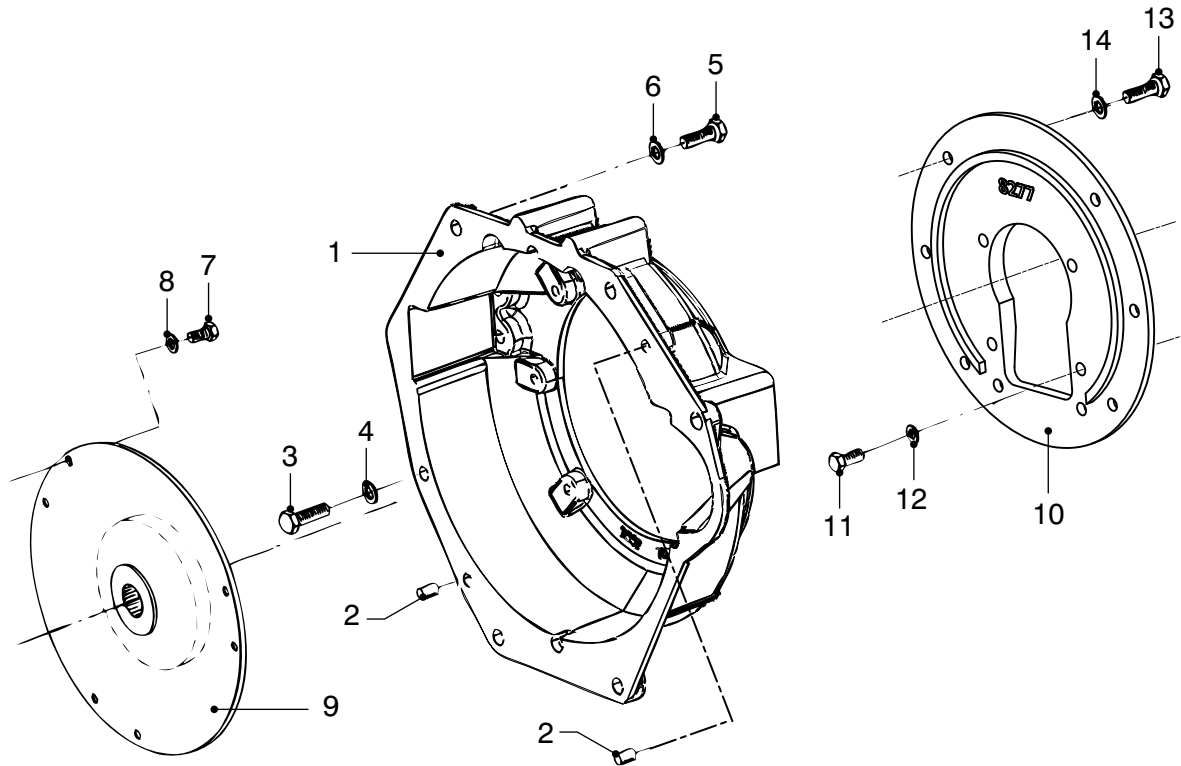
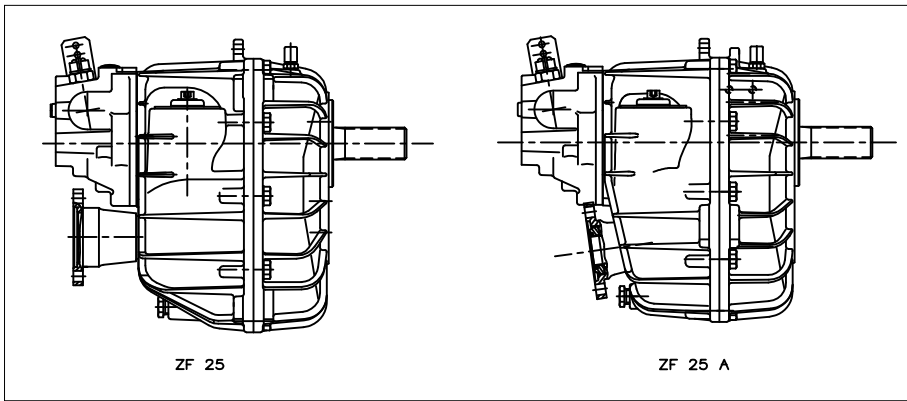


**M4.55**

**Vliegwielhuis TM345(A)**

**Flywheel housing TM345(A)**

pos.	qty	part	benaming	description
1	1	STM7567	Vliegwielhuis SAE7 ø 209,55	Flywheel housing SAE7 ø 209,55
2	2	STM3813	Paspen 10x12 DIN7	Pin 10x12 DIN7
3	1	STM7053	Bout M12x1,25x30	Bolt M12x1.25x30
4	1	STM4003	Veerring M12	Spring washer M12
5	4	STM7053	Bout M12x1,25x30	Bolt M12x1.25x30
6	4	STM4056	Gegolfde veerring M12	Wave spring washer M12
7	6	STM4055	Bout M8x1,25x16	Bolt M8x1.25x16
8	6	STM1056	Veerring M8	Spring washer M8
9	1	STM7609	Demperplaat sae splines z=26	Damperplate sae splines z=26
10	6	STM9003	Bout M10x25	Bolt M10x25
11	6	STM4003	Gegolfde veerring M10	Wave spring washer M10

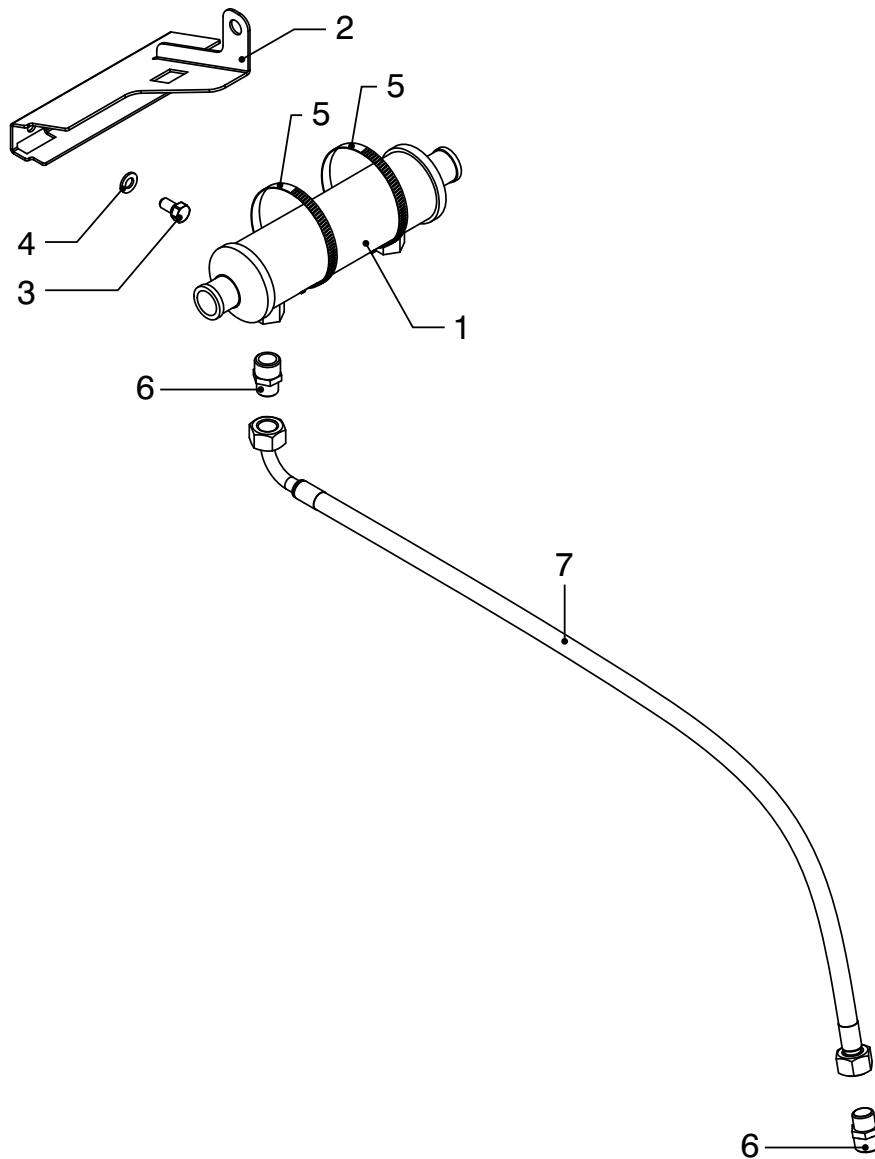


#### M4.55

#### Vliegwielhuis ZF25 (A)

#### Flywheel housing ZF25 (A)

pos.	qty	part	benaming	description
1	1	STM7567	Vliegwielhuis SAE7 ø 209,55	Flywheel housing SAE 209,55
2	2	STM3813	Paspen 10x12 DIN7	Pin 10x12 DIN7
3	1	STM7053	Bout M12x1,25x30	Bolt M12x1.25x30
4	1	STM4003	Veerring M12	Spring washer M12
5	4	STM7053	Bout M12x1,25x30	Bolt M12x1.25x30
6	4	STM4056	Gegolfde veerring M12	Wave spring washer M12
7	6	STM4055	Bout M8x1,25x16	Bolt M8x1.25x16
8	6	STM1056	Veerring M8	Spring washer M8
9	1	STM7609	Demperplaat sae splines z=26	Damperplate sae splines z=26
10	1	STM8277	Adapterplaat SAE7 -> ø 92	Adapter plate SAE7 -> ø 92
11	6	STM9003	Bout M10x1,5x25	Bolt M10x1.5x25
12	6	STM4003	Gegolfde veerring M10	Wave spring washer M10
13	6	STM9003	Bout M10x25	Bolt M10x25
14	6	STM4003	Gegolfde veerring M10	Wave spring washer M10

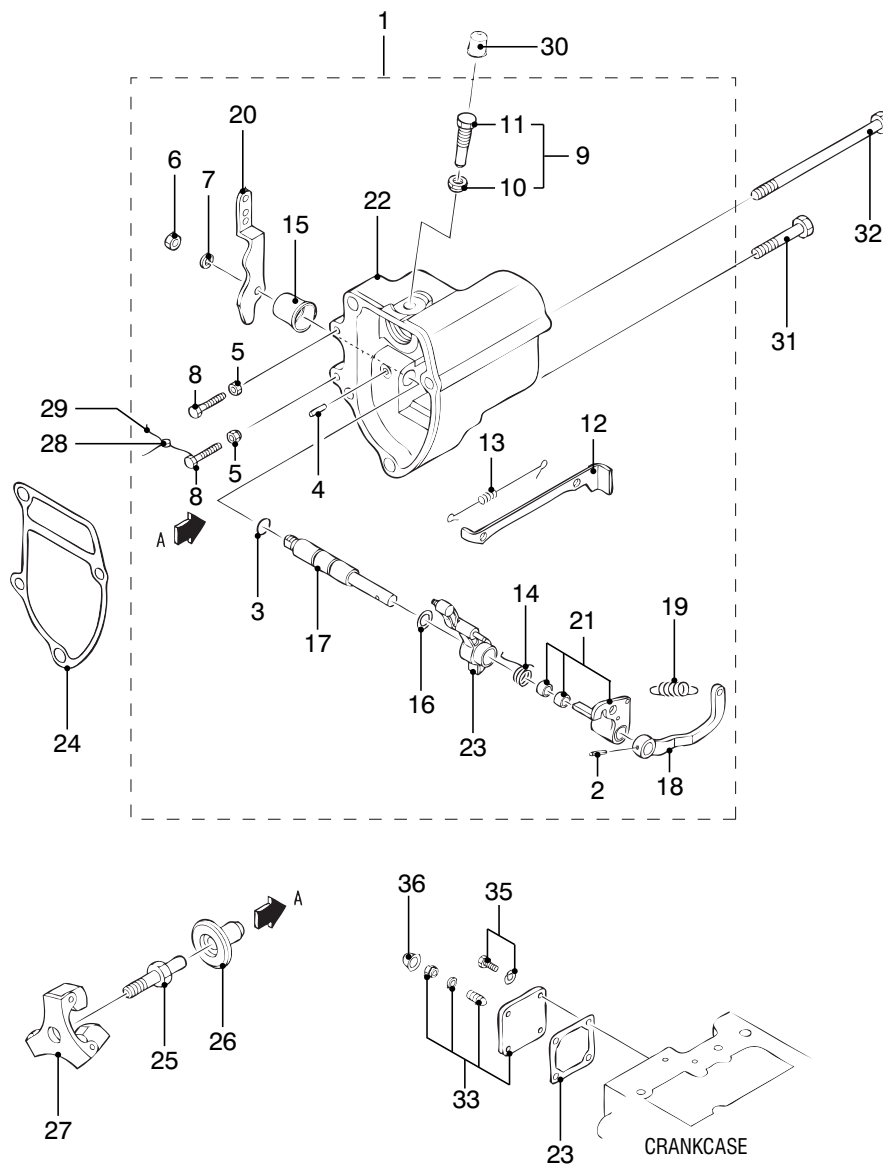


**M4.55**

**Oliekoeler keerkoppeling**

**Oil cooler gearbox**

pos.	qty	part	benaming	description
1	1	STM5007	Oliekoeler 7"x55-G3/8 25mm (Interkoeling)	Oil cooler 7"x55-G3/8 25mm (Inter cooling)
	1	STM3771	Oliekoeler 9"x55-G3/8 33mm (Kielkoeling)	Oil cooler 8"x55-G3/8 33mm (Keel cooling)
2	1	STM7498	Steun oliekoeler	Support oil cooler
3	2	STM4055	Bout M8x1,25x16	Bolt M8x1,25x16
4	2	STM1019	Gegolfde veerring M8	Wave spring washer M8
5	2	STM8148	Slangklem 58-75	Hose clamp 58-75
6	4	STM3491	Nippel G3/8-M16	Nipple G3/8-M16
7	2	CT50079	Slang l=550	Hose l=550

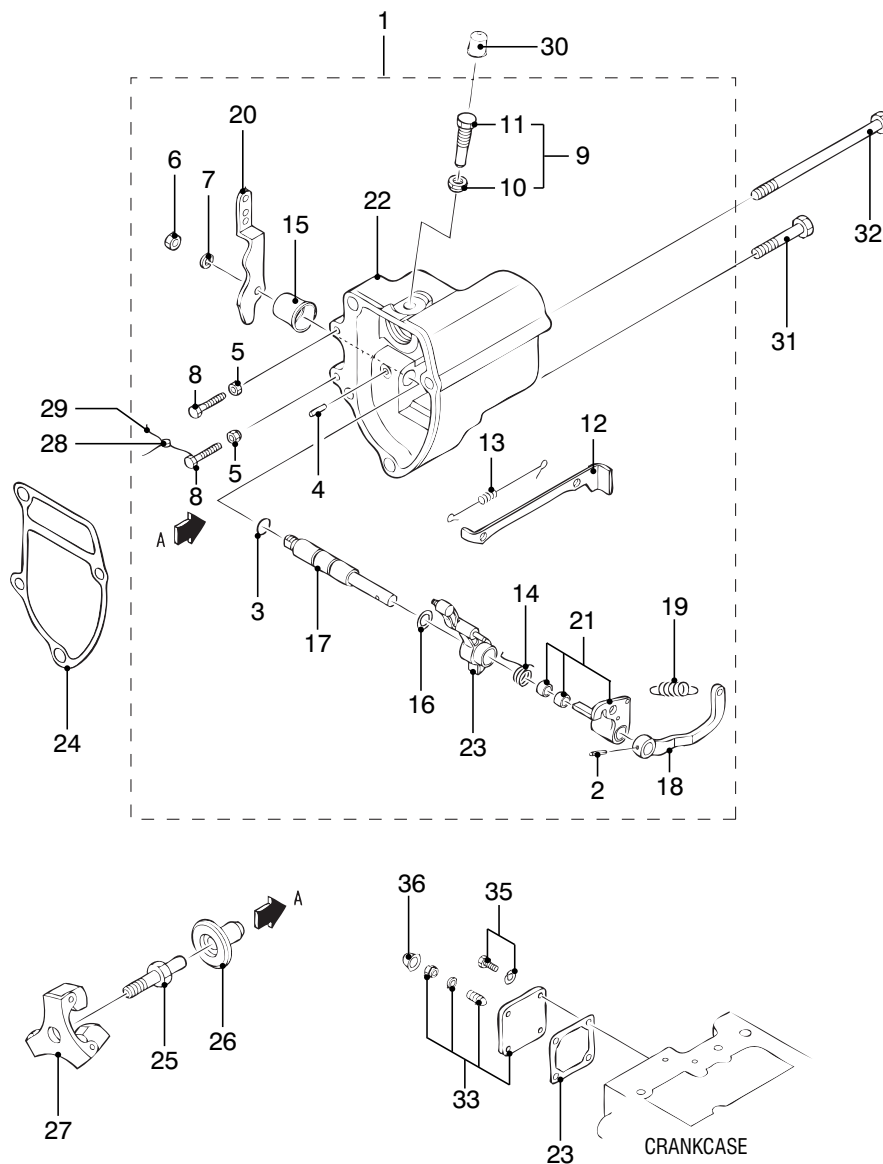


**M4.55**

**Regulateur**

**Regulator**

pos.	qty	part	benaming	description
1	1	STM9967	Regulateur cpl.	Regulator cpl.
2	1	STM7896	Borgpen	Pin
3	1	STM7897	O-ring	O-ring
4	1	STM7898	Pen	Pin
5	2	STM7899	Moer	Nut
6	1	STM7900	Moer	Nut
7	1	STM7901	Veerring	Spring washer
8	2	STM7902	Bout	Bolt
9	1	STM7903	Schroef+moer	Screw+nut
10	1	STM7904	Moer	Nut
11	1	STM7905	Schroef	Screw
12	1	STM7906	Stang	Tie rod
13	1	STM7907	Veer	Spring
14	1	STM7908	Veer	Spring
15	1	STM7909	Deksel	Cover
16	1	STM7910	Shim	Shim
17	1	STM7911	As	Shaft
18	1	STM7912	Hefboom	Lever

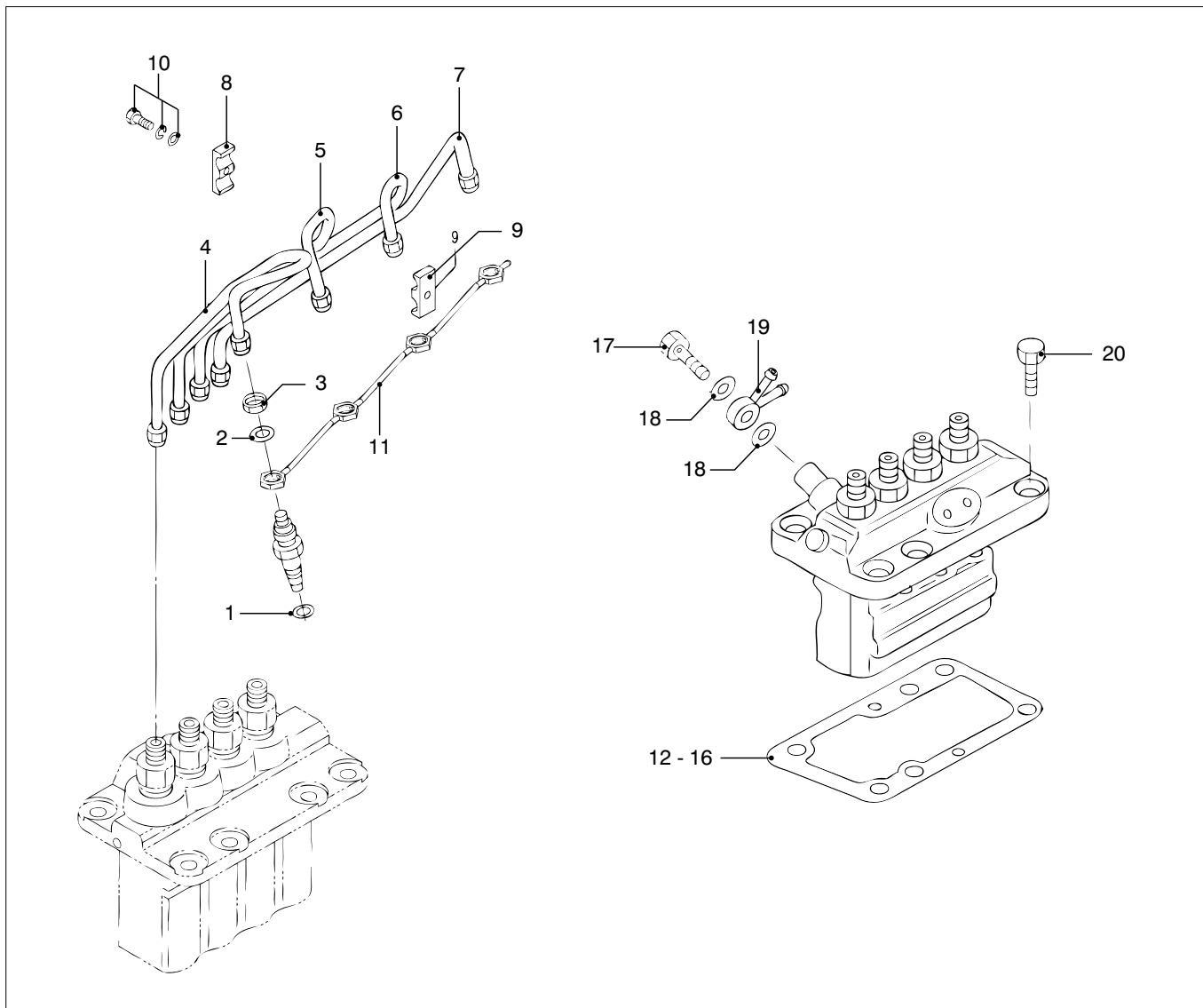


**M4.55**

**Regulateur**

**Regulator**

pos.	qty	part	benaming	description
19	1	STM9903	Veer	Spring
20	1	STM7914	Hefboom	Lever
21	1	STM7915	Hefboom	Lever
22	1	STM7916	Huis	Case
23	1	STM7917	Hefboom	Lever
24	1	STM7918	Pakking	Gasket
25	1	STM7919	As	Shaft
26	1	STM7920	Geleiding	Sleeve
27	1	STM7921	Gewicht	Weight
28	1	STM2718	Zegellood	Seal metal
29	1	STM7922	Zegeldraad	Sealing wire
30	1	STM7923	Kap	Cap
31	3	STM7924	Bout	Bolt
32	1	STM7925	Bout	Bolt
33	1	STM9966	Deksel cpl	Cover cpl
34	1	STM7927	Pakking	Gasket
35	4	STM7928	Bout	Bolt
36	1	STM9969	Zegel	Sealing cap

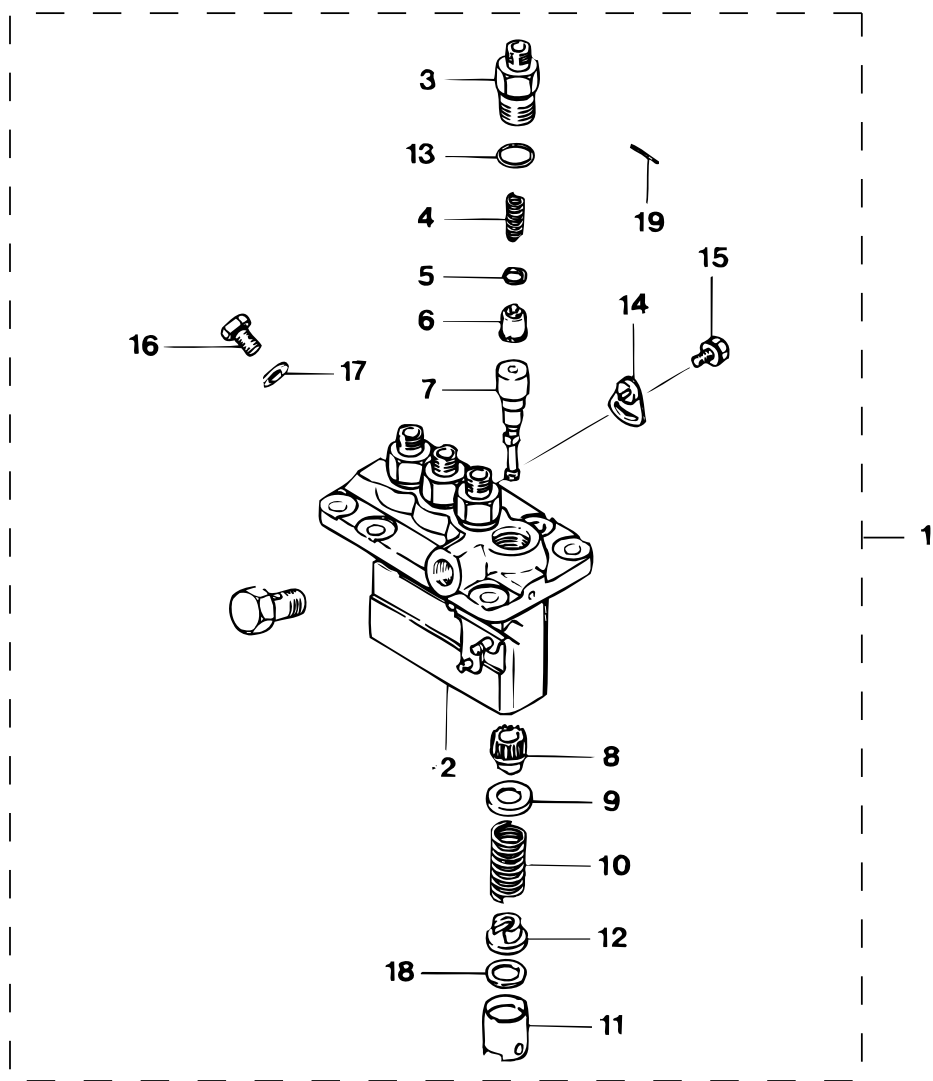


**M4.55**

**Brandstofleidingen**

**Fuel pipes**

pos.	qty	part	benaming	description
1	4	STM7861	Pakking	Gasket
2	4	STM7862	Pakking	Gasket
3	4	STM7863	Moer	Nut
4	1	STM7864	Leiding	Pipe
5	1	STM7865	Leiding	Pipe
6	1	STM7866	Leiding	Pipe
7	1	STM7867	Leiding	Pipe
8	3	STM3409	Klem	Clamp
9	3	STM3410	Klem	Clamp
10	3	STM7868	Bout	Bolt
11	1	STM7869	Leiding	Pipe
12		STM7870	Shim 0.7	Shim 0.7
13		STM7871	Shim 0.8	Shim 0.8
14		STM7872	Shim 0.9	Shim 0.9
15		STM7873	Shim 1.0	Shim 1.0
16		STM7874	Shim 0.2	Shim 0.2
17	1	STM7875	Bout	Bolt
18	2	STM7876	Ring	Washer
19	1	STM7877	Slang pilaar	Hose pillar
20	6	STM9970	Bout	Bolt



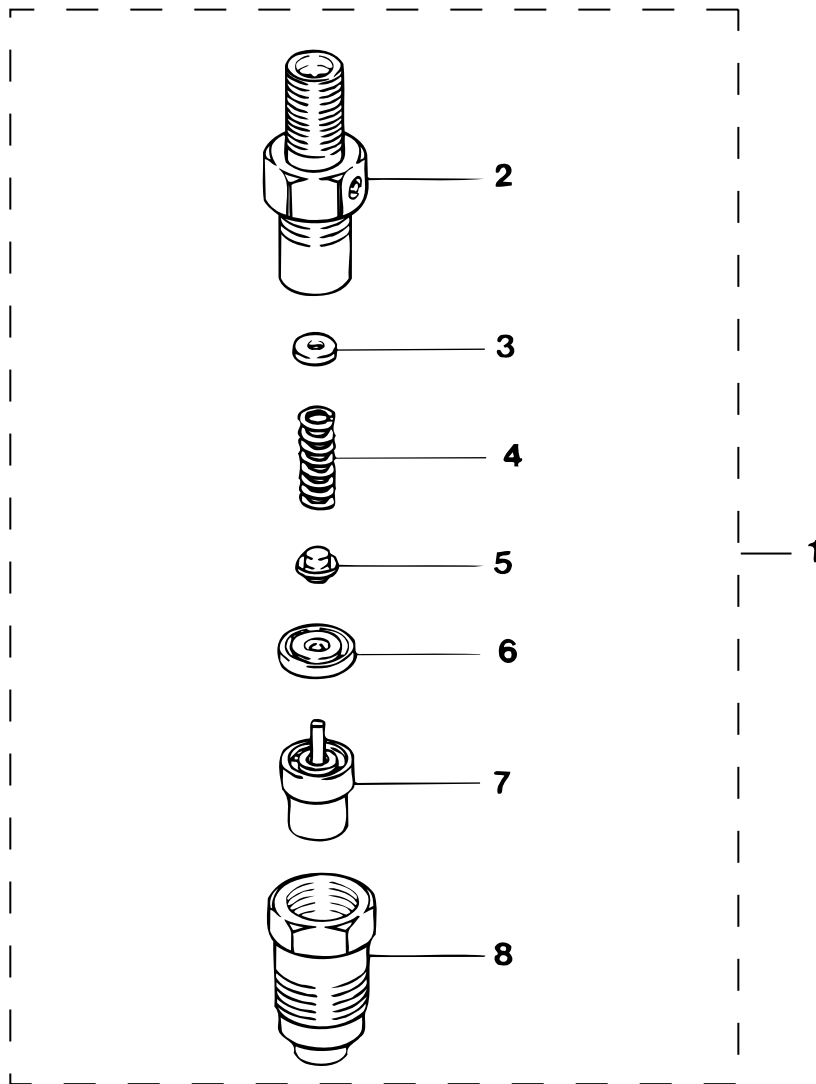
**M4.55**

**Brandstofpomp**

**Fuel pump**

pos.	qty	part	benaming	description
1	1	STM9972	Brandstofpomp cpl.	Fuel pump cpl.
2	4	STM7969	Huis	Housing
3	4	STM9968	Houder	Holder
4	4	STM9963	Veer	Spring
5	4	STM7972	Pakking	Gasket
6	4	STM9964	Klep	Valve
7	4	STM9965	Element	Element
8	4	STM7975	Geleider	Sleeve
9	4	STM7976	Zitting	Seat
10	4	STM7977	Veer	Spring
11	4	STM7978	Stoter	Tappet
12	4	STM7979	Zitting	Seat
13	4	STM7980	O-ring	O-ring
14	3	STM7981	Stelplaat	Plate
15	3	STM7982	Bout	Bolt
16	1	STM7983	Schroef	Screw
17	1	STM7985	Ring	Washer
18	1	STM7986	Shim	Shim
19	1	STM7987	Pen	Pin



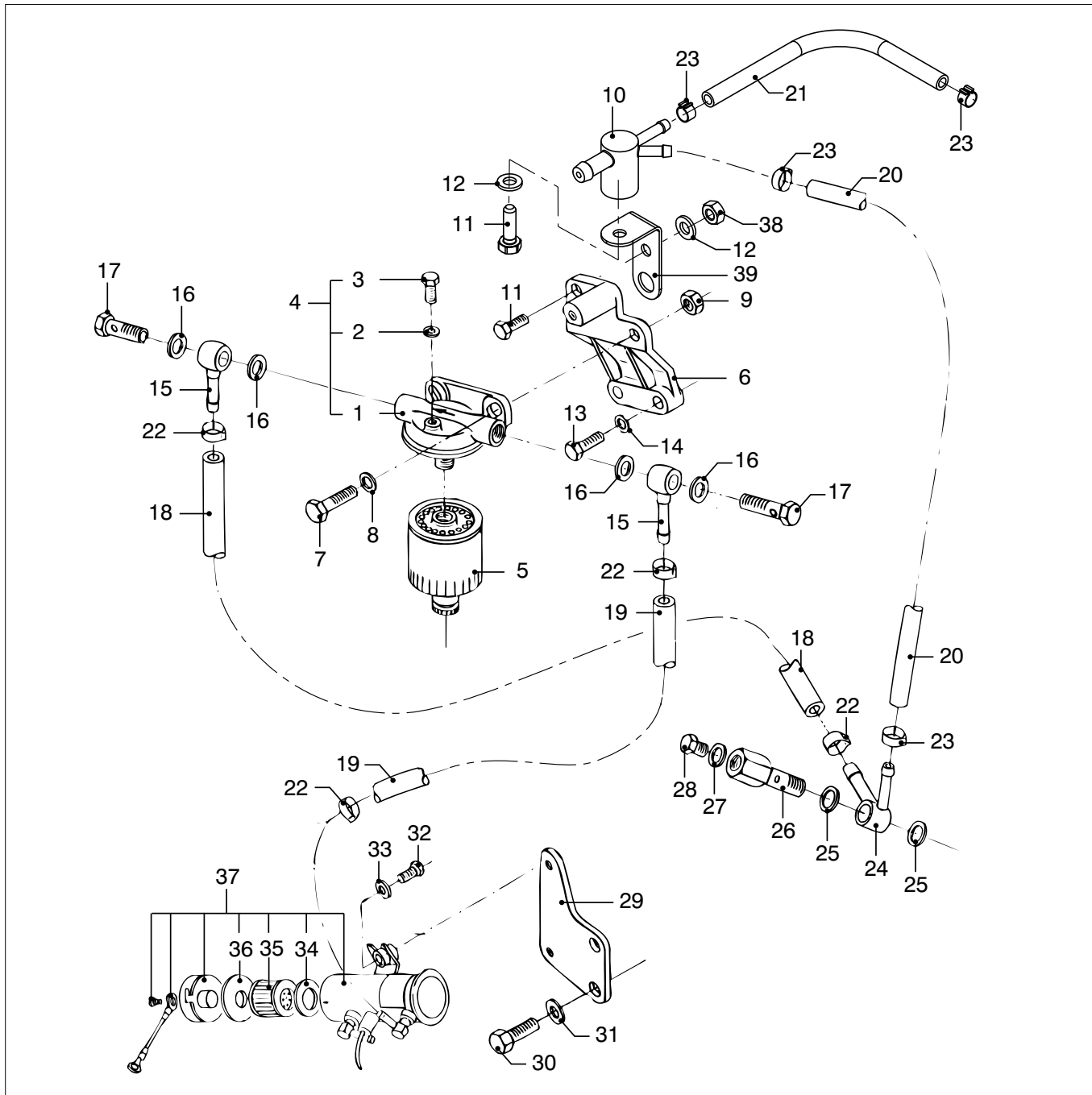


M4.55

Verstuiverhouder

Nozzle holder

pos.	qty	part	benaming	description
1	1	STM7878	Verstuiverhouder cpl.	Nozzle holder cpl.
2	1	STM7879	Verstuiverhouder	Nozzle holder
3		STM7880	Ring 1.25	Washer 1.25
		STM7881	Ring 1.3	Washer 1.3
		STM7882	Ring 1.35	Washer 1.35
		STM7883	Ring 1.4	Washer 1.4
		STM7884	Ring 1.45	Washer 1.45
		STM7885	Ring 1.5	Washer 1.5
		STM7886	Ring 1.55	Washer 1.55
		STM7887	Ring 1.6	Washer 1.6
		STM7888	Ring 1.65	Washer 1.65
		STM7889	Ring 1.7	Washer 1.7
4	4	STM7890	Veer	Spring
5	4	STM7891	Pen	Pin
6	4	STM7892	Afstandstuk	Distance piece
7	4	STM7893	Verstuiver	Nozzle
8	4	STM7894	Moer	Nut

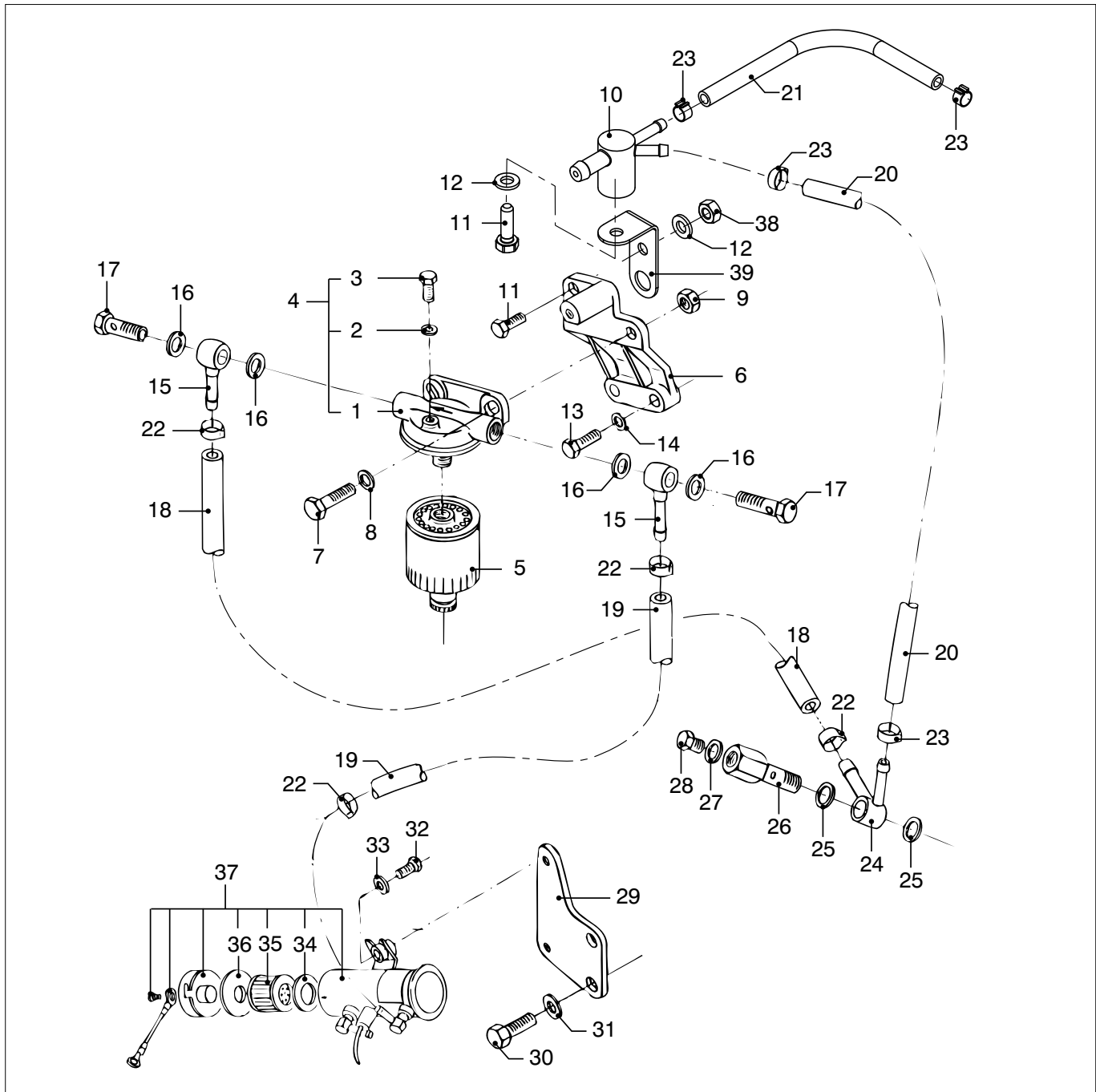


**M4.55**

**Brandstoffilter**

**Fuel filter**

pos.	qty	part	benaming	description
1	1	STM6050	Filterkop	Filter head
2	1	STM3797	Afdichtring	Seal washer
3	1	STM3796	Bout M8x1,25x10	Bolt M8x1.25x10
4	1	STM6049	Filterkop compleet (1+2+3)	Filter head cpl. (1+2+3)
5	1	STM3690	Brandstoffilter	Fuel filter
6	1	STM6115	Steun	Support
7	2	STM4013	Bout M10x1,5x30	Bolt M10x1.5x30
8	2	STM4061	Gegolfde veerring M10	Wave spring washer M10
9	2	STM4018	Moer M10	Nut M10
10	1	STM6180	Nippel	Nipple
11	2	STM1030	Bout M6x20	Bolt M6x20
12	2	STM1025	Gegolfde veerring M6	Wave spring washer M6
13	2	STM7059	Bout M8x1,25x30	Bolt M8x1.25x30
14	2	STM1019	Gegolfde veerring M8	Wave spring washer M8

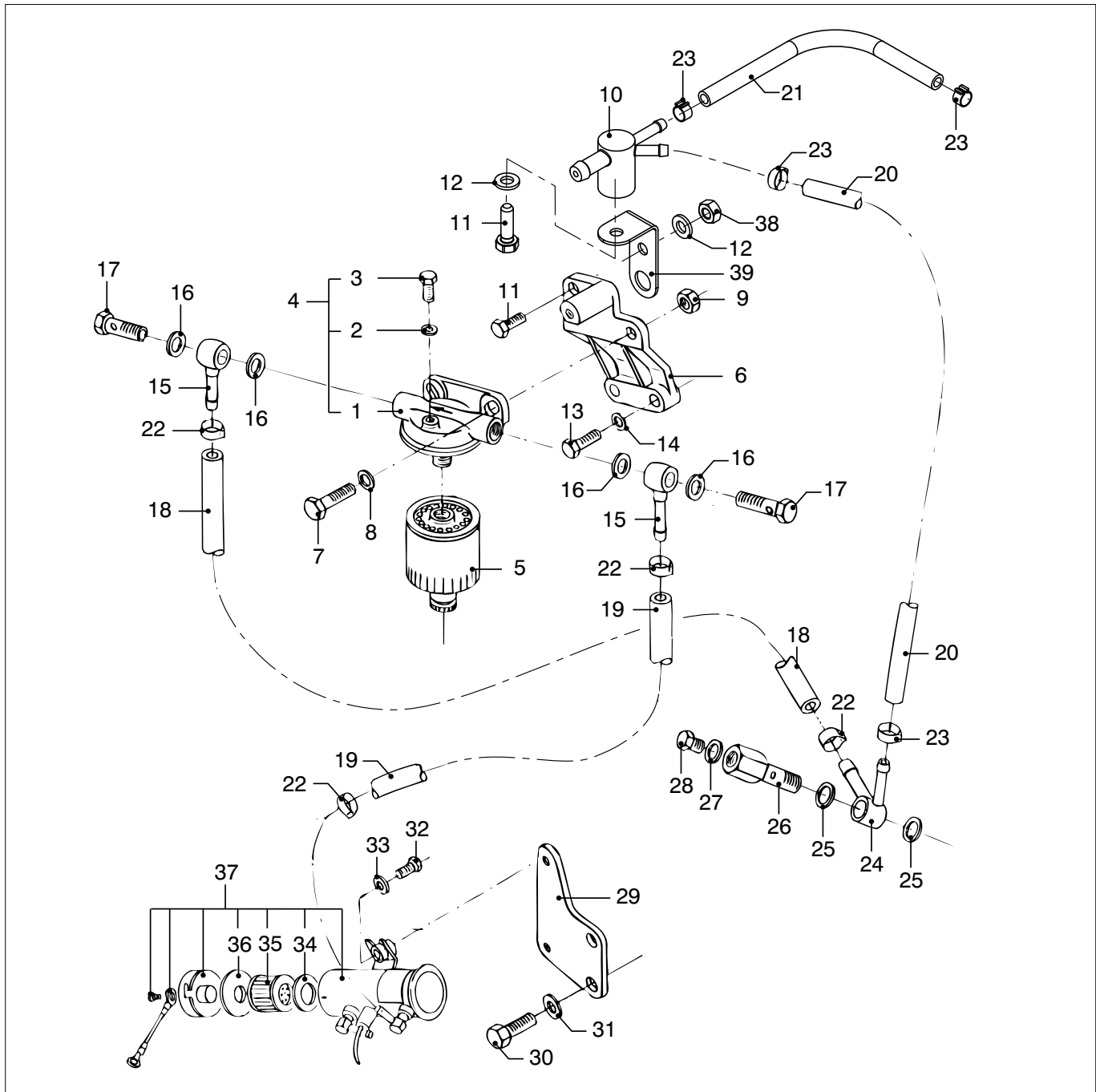


**M4.55**

**Brandstoffilter**

**Fuel filter**

pos.	qty	part	benaming	description
15	2	STM9262	Banjo-oog	Banjo eye
16	4	STM7056	Afdichtring	Sael washer
17	2	STM8057	Banjo-bout M12x1	Banjo bolt M12x1
18	1	STM6581	Brandstofslang ø 8 440mm	Fuel hose ø 8 440mm
19	1	STM6581	Brandstofslang ø 8 440mm	Fuel hose ø 8 440mm
20	1	STM7598	Brandstofslang ø 5 450mm	Fuel hose ø 5 450mm
21	1	STM7599	Brandstofslang ø 5 110mm	Fuel hose ø 5 110mm
22	4	STM6185	Klem	Clamp
23	4	STM6186	Klem	Clamp
24	1	STM7877	Banjo-oog	Banjo bolt
25	2	STM7876	Afdichtring	Seal washer
26	1	STM7988	Banjo-oog	Banjo eye
27	1	STM7989	Afdichtring	Seal washer
28	1	STM7990	Bout	Bolt

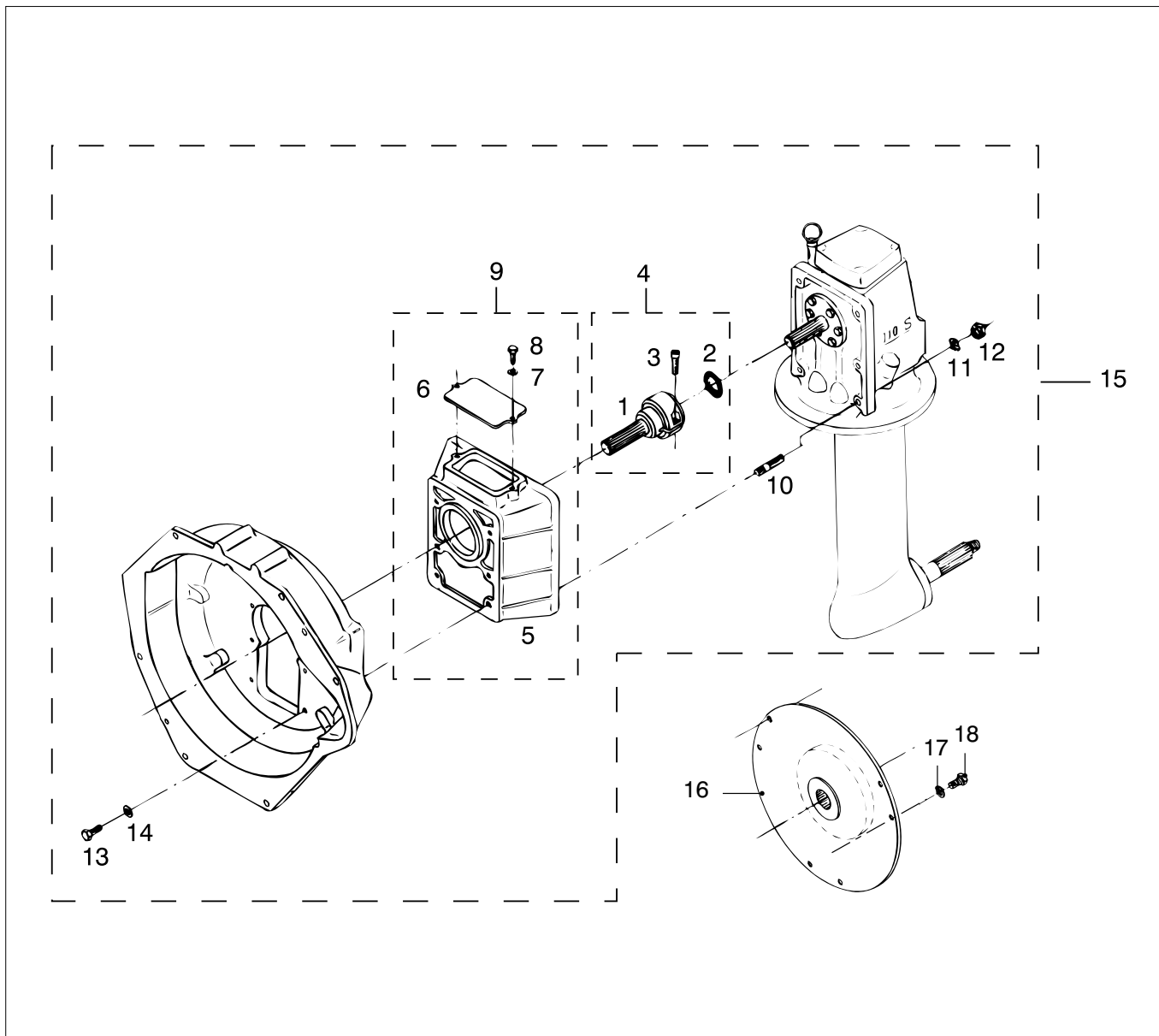


**M4.55**

**Brandstoffilter**

**Fuel filter**

pos.	qty	part	benaming	description
29	1	STM7572	Steun	Support
30	2	STM3817	Bout M12x1,25x25	Bolt M12x1.25x25
31	2	STM4003	Veerring M12	Spring washer M12
32	2	STM1030	Bout M8x1x20	Bolt M8x1x10
33	2	CT40029	Veerring M6	Spring washer M6
34	1	STM4037	Pakking	Gasket
35	1	STM4050	Filter	Filter
36	1	STM4038	Pakking	Gasket
37	1	STM4049	Electrische brandstofopvoerpomp	Electrical fuel lift pump
38	1	STM3260	Moer M6	Nut M6
39	1	STM7447	Steun	Support

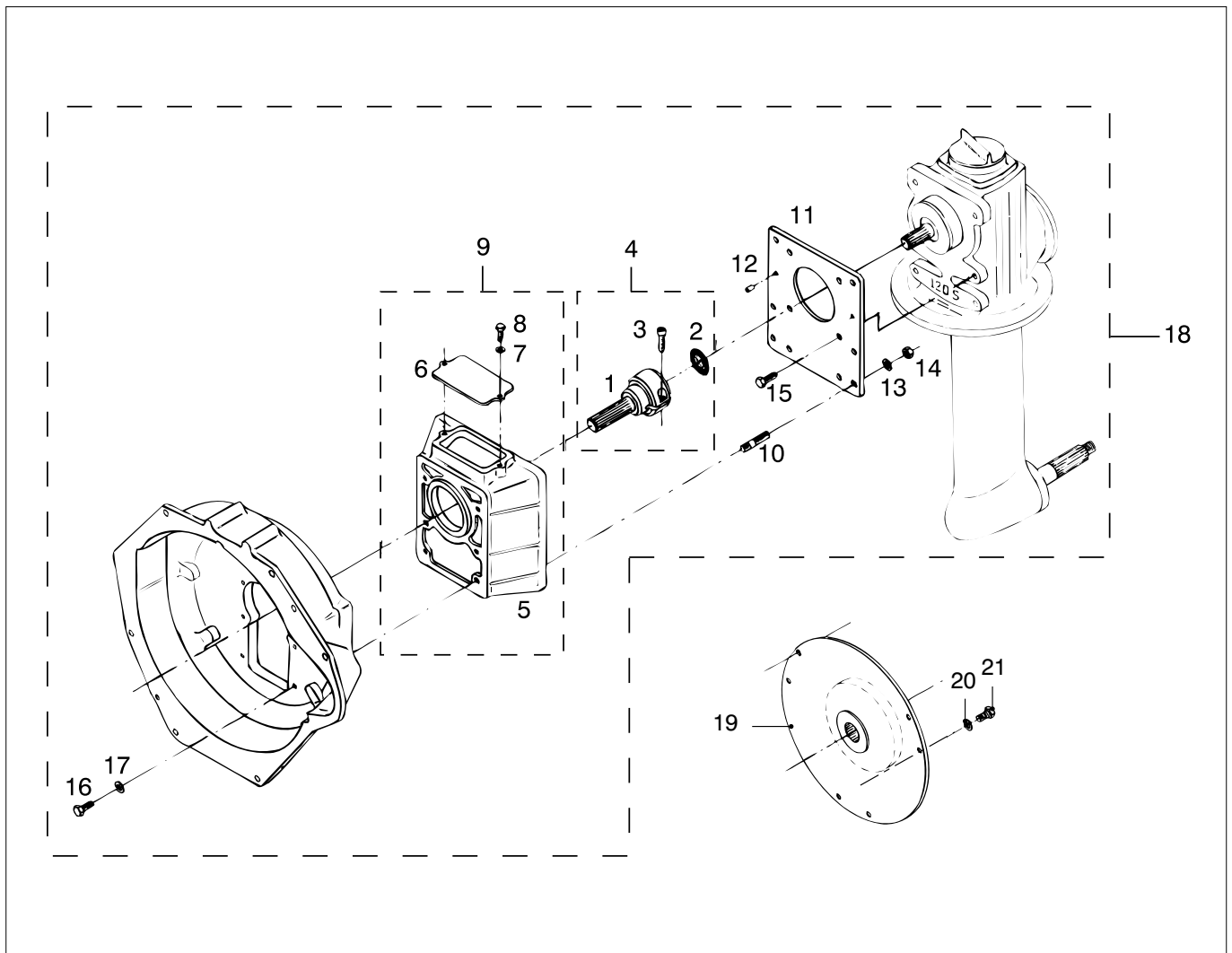


**M4.55**

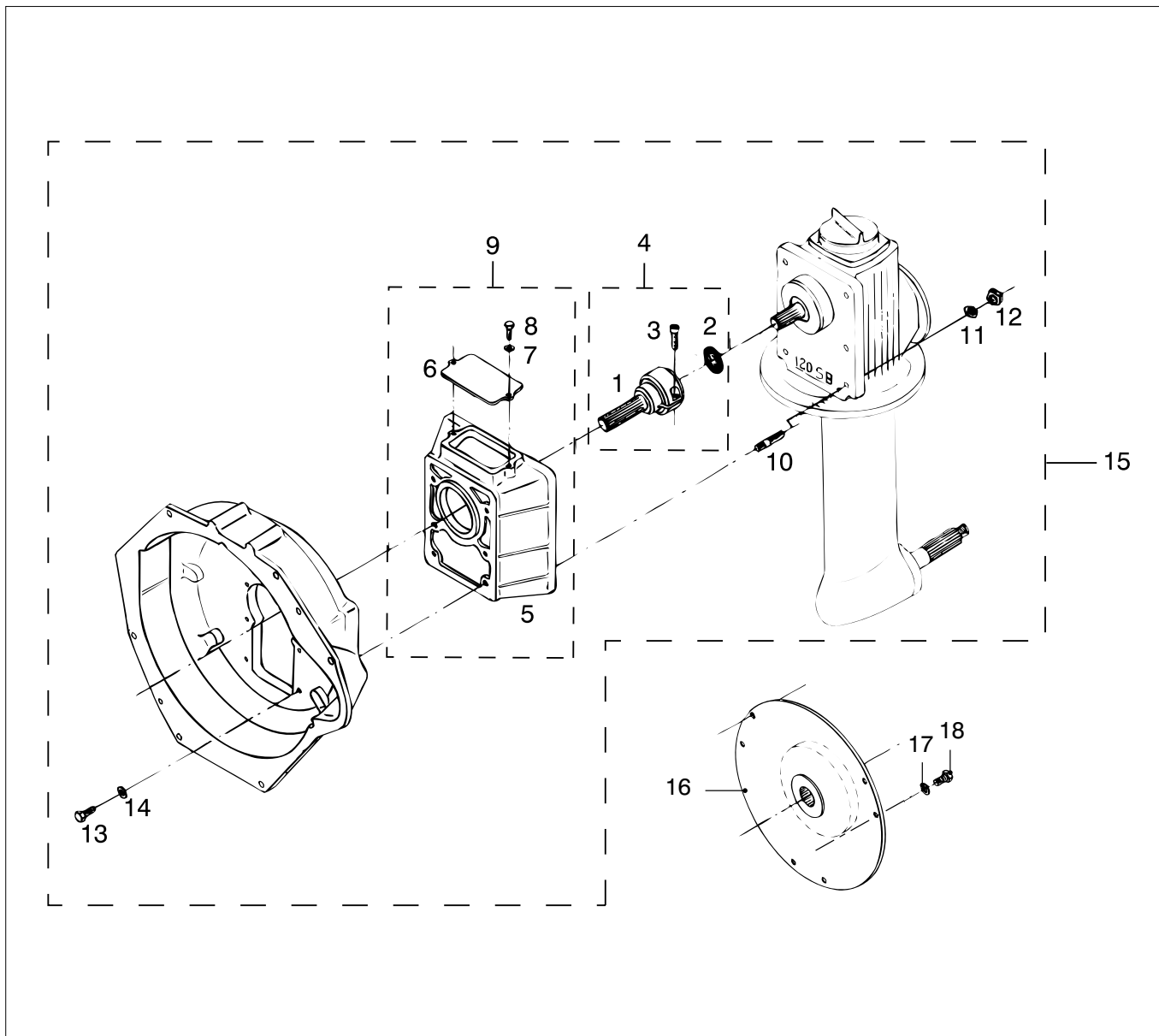
**Verloopset saildrive 110S**

**Adaptor kit saildrive 110S**

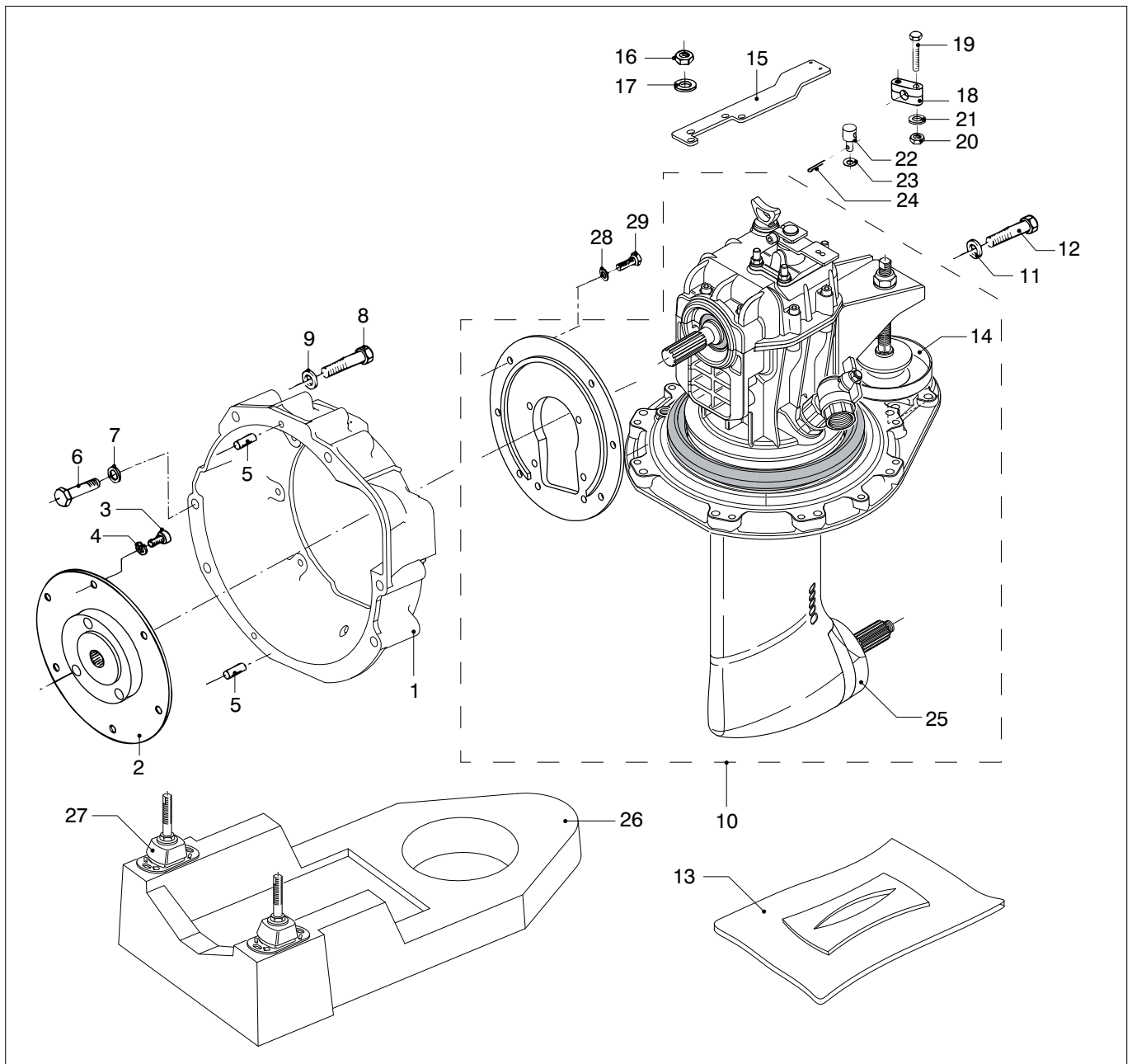
pos.	qty	part	benaming	description
1	1	STM7605	Koppeling	Coupling
2	1	STM7607	O-ring	O-ring
3	2	STM8332	Inbusbout M8x30	Allen screw M8x30
4	1	STM7611	Koppeling compleet (1+2+3)	Coupling cpl. (1+2+3)
5	1	STM7601	Adapterhuis	Adaptor case
6	1	STM7603	Deksel	Cover
7	2	STM1025	Gegolfde veerring M6	Wave spring washer M6
8	2	STM1024	Bout M6x15	Bolt M6x15
9	1	STM7612	Adapterhuis cpl. (5+6+7+8)	Adaptor case cpl. (5+6+7+8)
10	6	STM7615	Tapeind M10x45	Stud M10x45
11	6	STM2022	Gegolfde veerring M10	Vave spring washer M10
12	6	STM4018	Moer M10	Nut M10
13	6	STM1651	Bout M8x35	Bolt M8x35
14	6	STM1019	Gegolfde veerring M8	Wave spring washer M8
15	1	STM7614	Aanbouwset cpl.	Adaptor kit cpl.
16	1	STM4104	Demperplaat DIN splines Z=10	Damper plate DIN splines Z=10
17	6	STM1056	Veerring M8	Spring washer M8
18	6	STM4055	Bout M8x1,25x16	Bolt M8x1.25x16


**M4.55**
**Verloopset saildrive 120S**
**Adaptor kit saildrive 120S**

pos.	qty	part	benaming	description
1	1	STM7606	Koppeling	Coupling
2	1	STM7608	O-ring	O-ring
3	2	STM8332	Inbusbout M8x30	Allen screw M8x30
4	1	STM7616	Koppeling compleet (1+2+3)	Coupling cpl. (1+2+3)
5	1	STM7601	Adapterhuis	Adaptor case
6	1	STM7603	Deksel	Cover
7	2	STM1025	Gegolfde veerring M6	Wave spring washer M6
8	2	STM1024	Bout M6x15	Bolt M6x15
9	1	STM7612	Adapterhuis cpl. (5+6+7+8)	Adaptor case cpl. (5+6+7+8)
10	6	STM7620	Tapeind M10x20	Stud M10x20
11	1	STM7604	Adapterflens	Adaptor flange
12	2	STM2507	Paspen ø8x12	Pin ø8x12
13	6	STM2022	Gegolfde veerring M10	Wave spring washer M10
14	6	STM4018	Moer M10	Nut M10
15	6	STM8391	Bout M10x25 (sw16)	Bolt M10x25
16	6	STM1651	Bout M8x35	Bolt M8x35
17	6	STM1019	Gegolfde veerring M8	Wave spring washer M8
18	1	STM7621	Aanbouwset cpl.	Adator kit cpl.
19	1	STM4104	Demperplaat DIN splines Z=10	Damper plate DIN splines Z=10
20	6	STM1056	Veerring M8	Spring washer M8
21	6	STM4055	Bout M8x1,25x16	Bolt M8x1.25x16


**M4.55**
**Verloopset saildrive 120SB**
**Adaptor kit saildrive 120SB**

pos.	qty	part	benaming	description
1	1	STM7606	Koppeling	Coupling
2	1	STM7608	O-ring	O-ring
3	2	STM8332	Inbusbout M8x30	Allen screw M8x30
4	1	STM7616	Koppeling compleet (1+2+3)	Coupling cpl. (1+2+3)
5	1	STM7602	Adapterhuis	Adaptor case
6	1	STM7603	Deksel	Cover
7	2	STM1025	Gegolfde veerring M6	Wave spring washer M6
8	2	STM1024	Bout M6x15	Bolt M6x15
9	1	STM7617	Adapterhuis cpl. (5+6+7+8)	Adaptor case cpl. (5+6+7+8)
10	6	STM7618	Tapeind M10x35	Stud M10x35
11	6	STM2022	Gegolfde veerring M10	Wave spring washer M10
12	6	STM4018	Moer M10	Nut M10
13	6	STM1651	Bout M8x35	Bolt M8x35
14	6	STM1019	Gegolfde veerring M8	Wave spring washer M8
15	1	STM7619	Aanbouwset cpl.	Adaptor kit cpl.
16	1	STM4104	Demperplaat DIN splines Z=10	Damper plate DIN splines Z=10
17	6	STM1056	Veerring M8	Spring washer M8
18	6	STM4055	Bout M8x1,25x16	Bolt M8x1.25x16



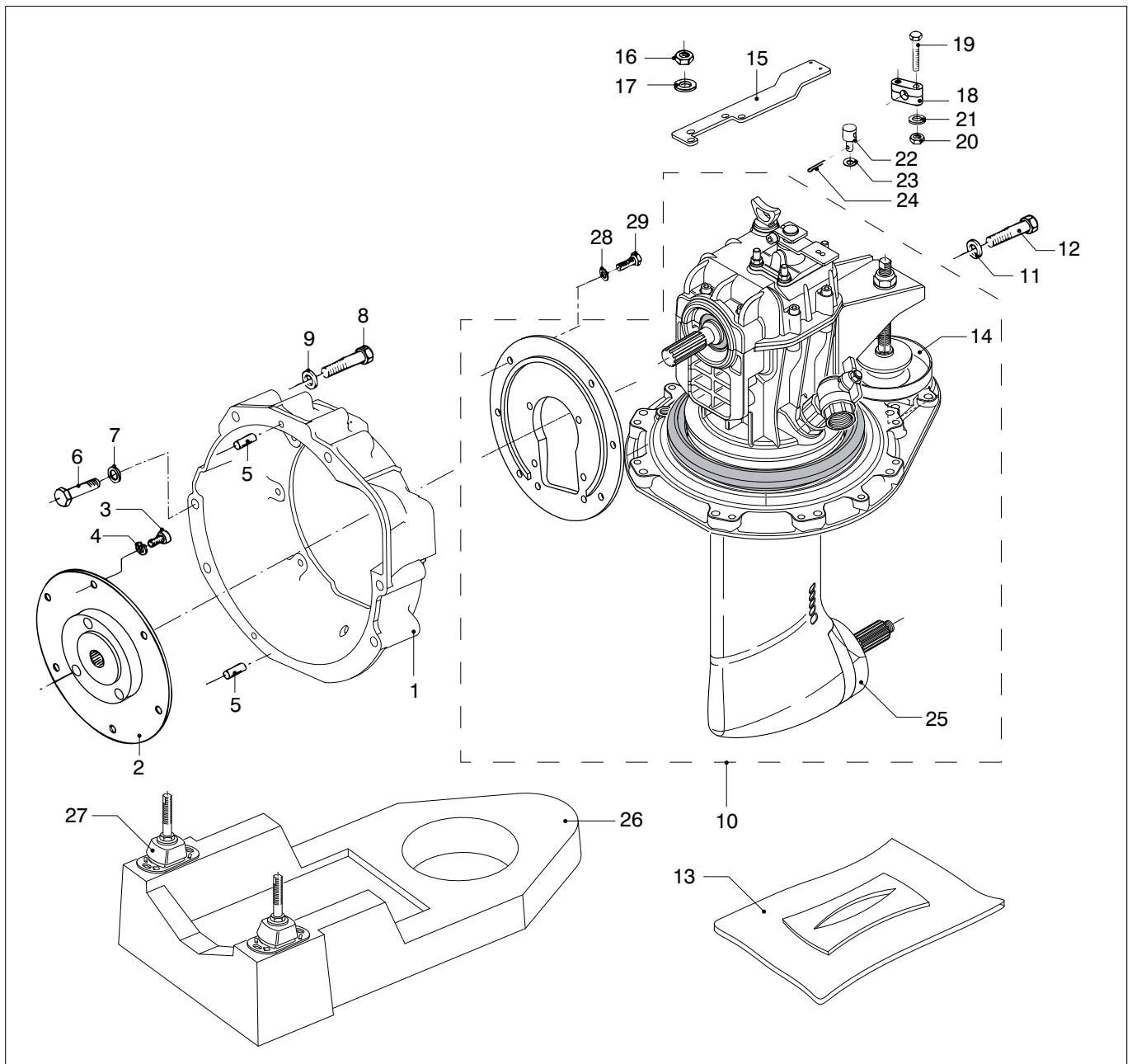
**M4.55**

**Saildrive ZF SD10**

**Saildrive ZF SD10**

pos.	qty	part	benaming	description
1	1	STM7567	Vliegwielhuis SAE 7 ø 209,55	Flywheel housing SAE 7 ø 209,55
2	1	STM4104	Demperplaat DIN5464 Z=10	Damperplate DIN5464 Z=10
3	6	STM4055	Bout M8x1,25x16	Bolt M8x1.25x16
4	6	STM1056	Veerring M8	Spring washer M8
5	2	STM3813	Paspen 10x12 DIN7	Pin 10x12 DIN7
6	1	STM7053	Bout M12x1,25x30	Bolt M12x1.25x30
7	1	STM4003	Veerring M12	Spring washer M12
8	4	STM7053	Bout M12x1,25x30	Bolt M12x1.25x30
9	4	STM4056	Gegolfde veerring M12	Wave spring washer M12
10	1	STM5800	ZF saildrive SD10 2,23R	ZF saildrive SD10 2.23R
	1	STM5801	ZF saildrive SD10 2,49R	ZF saildrive SD10 2.49R
11	6	STM4061	Gegolfde veerring M10	Wave spring washer M10
12	6	STM5017	Bout 7/16"UNCx30	Bolt 7/16"UNCx30
13	1	STM9317	Rubber afdichting	Gummi seal
14	1	STM9318	Demper	Damper
15	1	STM1851	Steun	Support



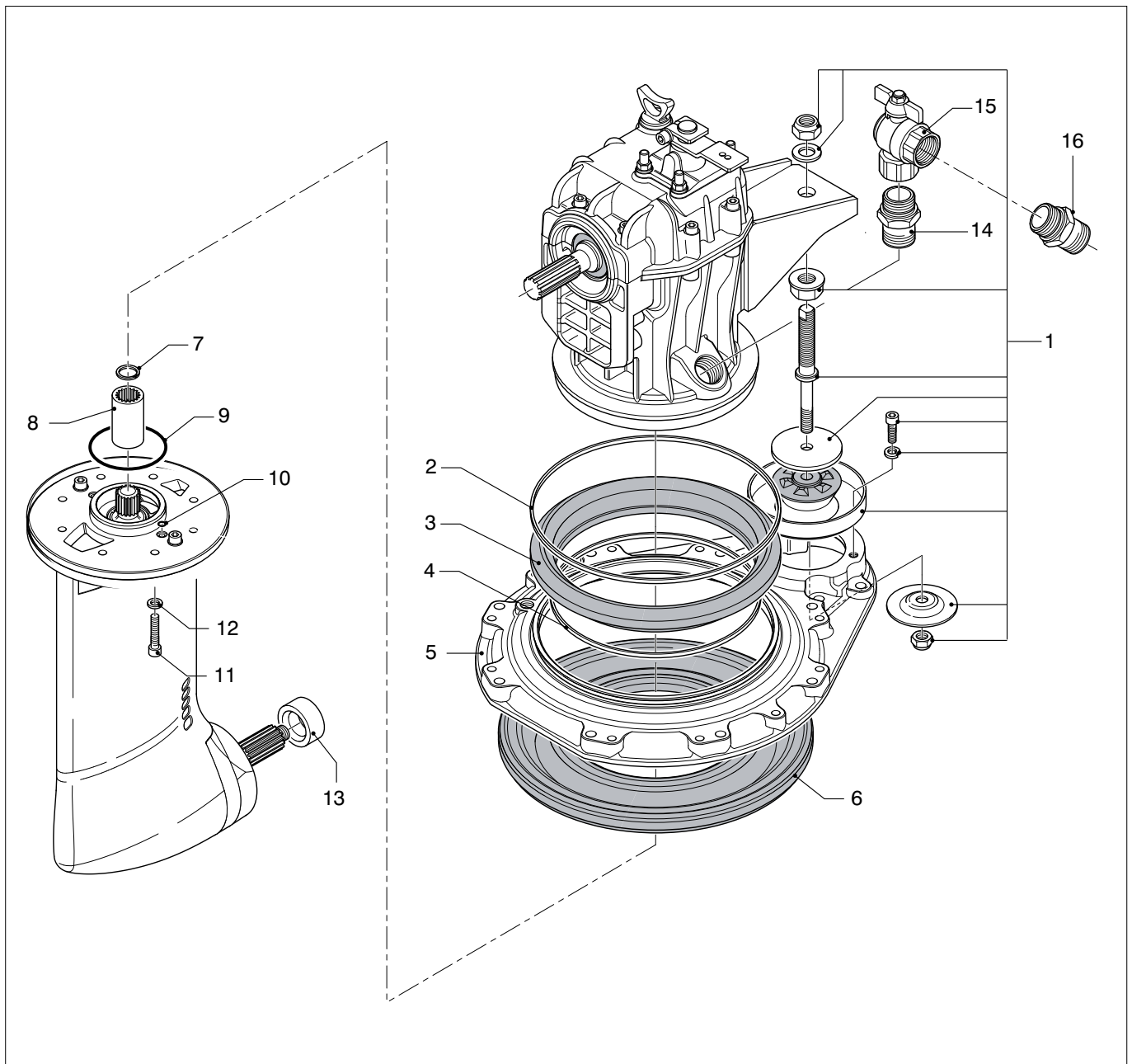


**M4.55**

**Sailandrive ZF SD10**

**Sailandrive ZF SD10**

pos.	qty	part	benaming	description
16	2	STM2005	Moer M8	Nut M8
17	2	STM1056	Veerring M8	Spring washer M8
18	1	STM1703	Kabelklem	Cable clamp
19	2	STM1704	Bout M5x25	Bolt M5x25
20	2	STM1705	Moer M5	Nut M5
21	2	STM1707	Ring	Washer
22	1	STM1806	Nippel	Nipple
23	2	STM1807	Ring	Ring
24	1	STM1807	Splitpen 2x25	Split pin 2x25
25	1	STM9319	Zinkanode	Zinc anode
26	1	STM9320	Fundatie	Engine bed
27	2	KSTEUN100	Trillingdemper	Flexible engine mounting
28	6	STM4003	Gegolfde veerring M10	Wave spring washer M10
29	6	STM9003	Bout M10 x 1,5 x 25	Bolt M10 x 1.5 x 25

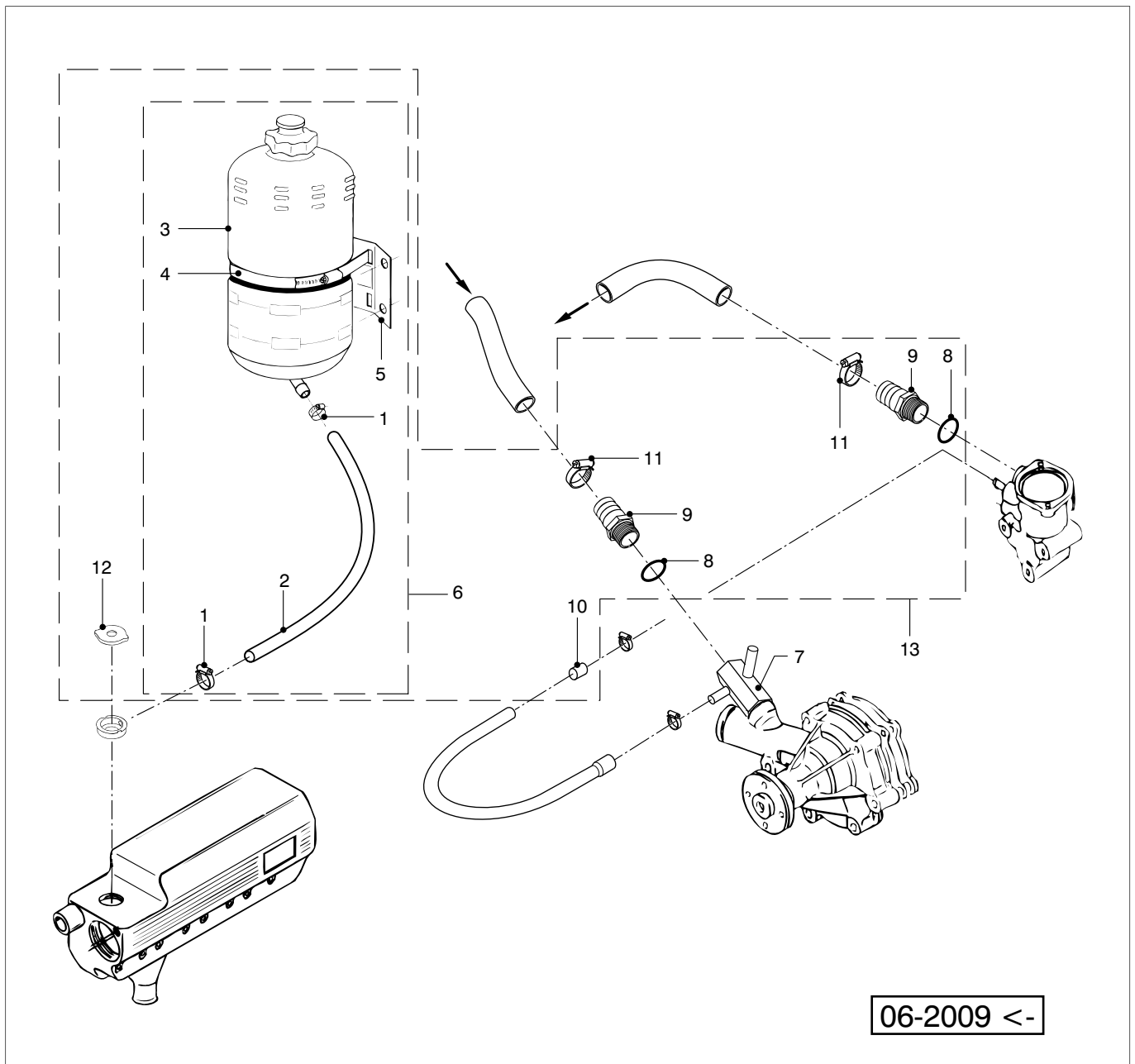


**M4.55**

**Saildrive ZF SD10**

**Saildrive ZF SD10**

pos.	qty	part	benaming	description
1	1	STM9318	Demper	Demper
2	1	STM9322	Borg ring	Snap ring
3	1	STM9323	Pakking	Gasket
4	1	STM9324	Borg ring	Snap ring
5	1	STM9325	Bevestigingsplaat	Clamping ring
6	1	STM9326	Pakking	Gasket
7	1	STM9327	Geleidering	Retainer ring
8	1	STM9328	Bus	Sleeve
9	1	STM9329	O-ring	O-ring
10	1	STM9330	O-ring	O-ring
11	1	STM9333	Inbusbout M8x40	Screw T.C.E.I. M8x40
12	1	STM9334	Ring	Washer
13	1	STM9335	Bus	Spacer
14	1	STM9336	Nipple G1-G1	Nipple G1-G1
15	1	STM9337	Afsluiter recht G1	Stop-valve G1
16	1	STM9338	Slangpilaar G1-19	Hose pillar G1-19

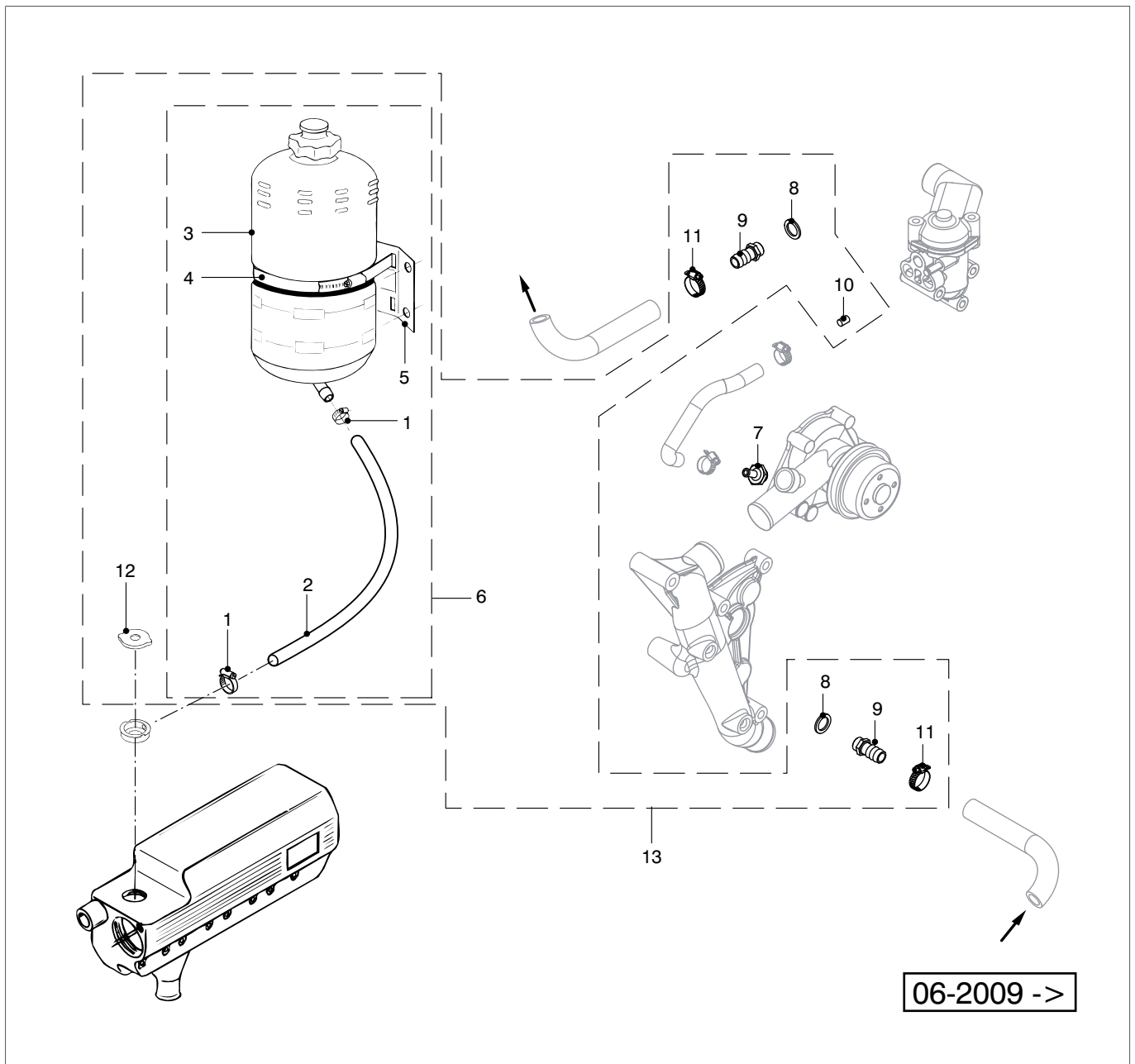


**M4.55**

**Boileraansluiting, interkoeling, 06-2009 <-**

**Calorifier connection, intercooling, 06-2009 <-**

pos.	qty	part	benaming	description
1	2	STM9505	Klem	Clamp
2	1	STM9504	Slang	Hose
3	1	STM9501	Expansie tank	Headertank
4	1	STM9503	Slangklem 140-180	Hose clamp 140-180
5	1	STM9502	Bevestigingsbeugel	Support
6	1	STM9500	Expansietank compleet (1 t/m 5)	Headertank compl. (1 till 5)
7	1	STM9445	Nippel	Nipple
8	2	STM6617	Afdichtring M16	Seal washer M16
9	2	STM3736	Slangpilaar G3/8 - 16	Hose pillar G3/8 - 16
10	1	STM2507	Prop ø 8	Plug ø 8
11	2	STM2012	Slangklem 19-28	Hose clamp 19-28
12	1	STM9507	Vuldop (Do not open)	Filler cap (Do not open)
13	1	STM7683	Boilerset (motor gedeelte)	Calorifier set (engine part)

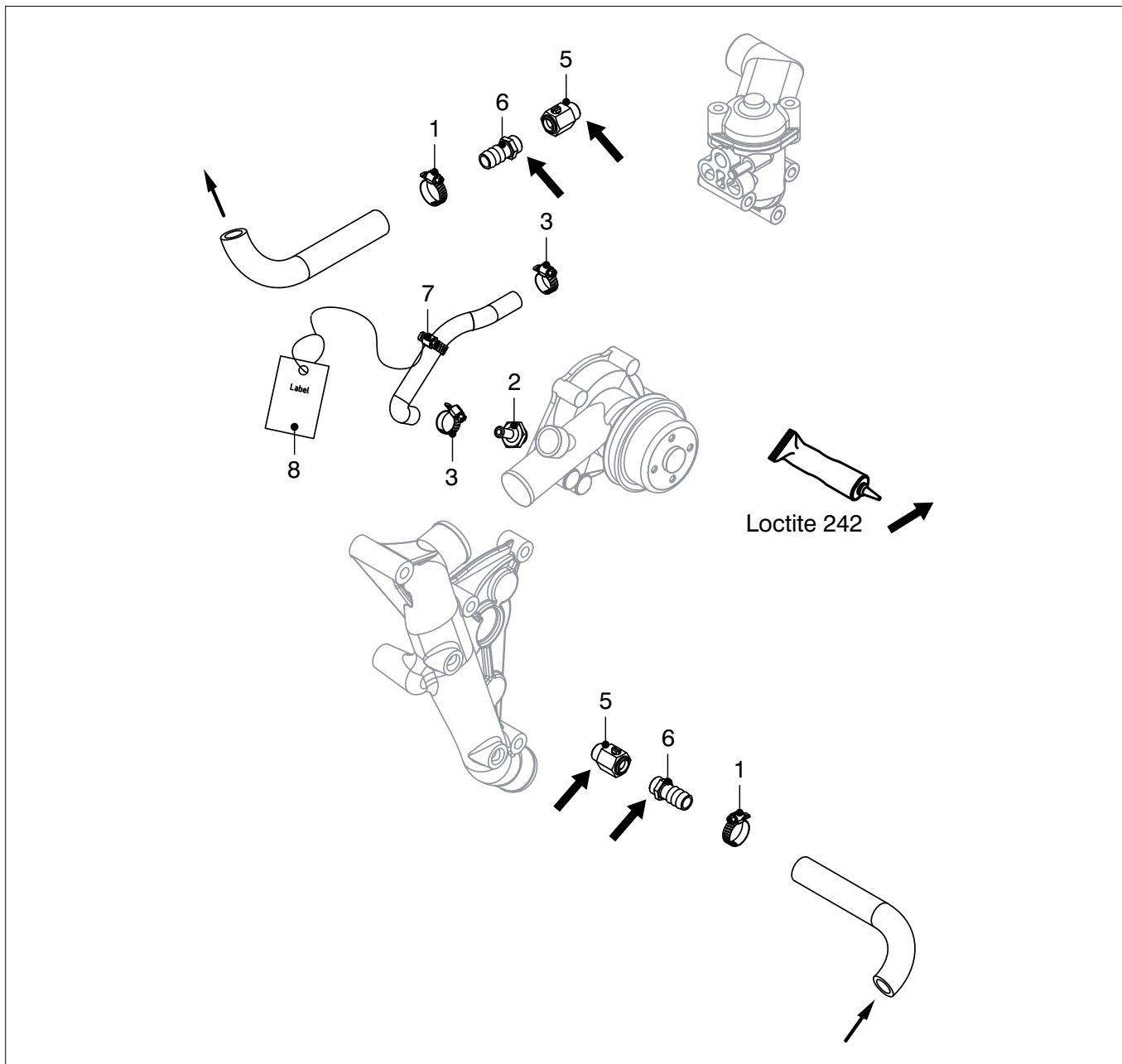


**M4.55**

**Boileraansluiting, interkoeling, 06-2009 ->**

**Calorifier connection, intercooling, 06-2009->**

pos.	qty	part	benaming	description
1	2	STM9505	Klem	Clamp
2	1	STM9504	Slang	Hose
3	1	STM9501	Expansie tank	Headertank
4	1	STM9503	Slangklem 140-180	Hose clamp 140-180
5	1	STM9502	Bevestigingsbeugel	Support
6	1	STM9500	Expansietank compleet (1 t/m 5)	Headertank compl. (1 till 5)
7	1	STM9441	Slangpilaar	Hose pillar
8	2	STM6617	Afdichtring M16	Seal washer M16
9	2	STM3736	Slangpilaar G3/8 - 16	Hose pillar G3/8 - 16
10	1	STM2507	Prop ø 8	Plug ø 8
11	2	STM2012	Slangklem 19-28	Hose clamp 19-28
12	1	STM9507	Vuldop (Do not open)	Filler cap (Do not open)
13	1	STM7683	Boilerset (motor gedeelte)	Calorifier set (engine part)



**M4.55**

**Boileraansluiting, kielkoeling**

**Calorifier connection, keelcooling**

pos.	qty	part	benaming	description
1	2	STM2012	Slangklem 19-28	Hose clamp 19-28
2	1	STM9441	Nippel	Nipple
3	2	STM3056	Slangklem 11-17	Hose clamp 11 - 17
4	1	STM9440	Slang	Hose
5	2	STM9443	Mini kogelkraan G 3/8 - G 3/8	Mini ball valve R 3/8 - R 3/8
6	2	STM3736	Slangpilaar G3/8 - 16	Hose pillar G3/8 - 16
7	1	STM9444	Slangklem 8-16	Hose clamp 8-16
8	1	STM9446	Label 'Boiler'	Label 'Calorifier'



# Register Index

art.nr. / part	pag. page	pos.	art.nr. / part	pag. page	pos.	art.nr. / part	pag. page	pos.	art.nr. / part	pag. page	pos.
08-01005	3-4	36	PA6488	4-9	10	STM1056	5-3	8	STM1807	4-15	10
08-01014	3-14	1	PA6488	4-11	12	STM1056	10-3	17	STM1807	4-16	2
08-01015	3-14	2	STM0051	1-1	3	STM1056	4-4	14	STM1808	4-15	12
08-01016	3-14	3	STM0051	2-12	6	STM1056	10-4	4	STM1808	4-16	3
08-01017	3-14	4	STM1006	3-2	12	STM1056	3-5	13	STM1851	10-4	15
08-01018	3-14	5	STM1007	3-2	11	STM1056	10-5	17	STM1902	4-15	17
08-01019	3-14	6	STM1007	3-6	6	STM1056	4-6	12	STM1907	4-15	16
08-01020	3-14	7	STM1017	3-2	4	STM1056	3-7	7	STM2005	4-2	13
08-01021	3-14	8	STM1019	4-1	7	STM1056	3-10	5	STM2005	4-4	11
08-01022	3-14	10	STM1019	5-1	8	STM1056	3-14	18	STM2005	3-5	14
08-01023	3-14	12	STM1019	10-1	14	STM1056	3-14	18	STM2005	10-5	16
08-01024	3-14	13	STM1019	3-2	16	STM1059	3-2	14	STM2005	3-7	8
08-01025	3-14	14	STM1019	10-2	17	STM1059	3-3	7	STM2005	4-7	18
08-01026	3-14	15	STM1019	3-3	9	STM1062	3-2	13	STM2005	3-9	8
AD14-16	4-13	27	STM1019	10-3	14	STM1062	3-3	6	STM2005	3-10	6
CT30059	4-4	8	STM1019	3-4	32	STM1062	4-12	26	STM2005	3-10	15
CT30059	4-6	15	STM1019	4-4	10	STM1062	2-15	4	STM2005	3-14	19
CT40029	6-8	33	STM1019	4-4	16	STM1610	5-1	7	STM2006	4-8	9
CT40029	3-11	11	STM1019	5-4	4	STM1610	4-2	8	STM2006	2-20	12
CT40029	2-21	16	STM1019	3-5	4	STM1610	3-14	19	STM2012	10-7	11
CT40083	4-13	29	STM1019	3-6	4	STM1651	10-1	13	STM2012	10-8	11
CT40131	4-12	18	STM1019	6-6	14	STM1651	10-2	16	STM2012	3-9	9
CT40133	4-12	20	STM1019	4-7	17	STM1651	10-3	13	STM2012	3-9	12
CT40133	4-9	19	STM1019	3-8	4	STM1653	4-3	9	STM2012	3-9	13
CT50079	5-4	7	STM1019	3-9	7	STM1653	4-4	7	STM2012	3-9	15
CT50081	4-16	12	STM1019	3-10	14	STM1653	4-6	14	STM2012	10-9	1
KSTEUN100	10-5	27	STM1019	3-12	3	STM1653	3-10	4	STM2012	3-10	17
KSTEUN80	2-19	9	STM1019	4-16	7	STM1653	3-13	9	STM2012	2-14	8
LNOIL12U	4-11	11	STM1024	10-1	8	STM1653	3-14	17	STM2012	2-21	23
LNTACHU	4-9	8	STM1024	10-2	8	STM1653	3-14	17	STM2018	3-4	23
LNTACHU	4-11	8	STM1024	10-3	8	STM1653	2-21	26	STM2018	3-11	3
LNTEMP12U	4-11	10	STM1024	3-11	10	STM1703	10-5	18	STM2018	4-13	31
LNTEMP12U	4-9	9	STM1024	2-20	15	STM1703	4-15	4	STM2018	2-21	20
LNTEMP12U	4-11	9	STM1025	10-1	7	STM1703	4-15	4	STM2019	4-8	10
MP22BN12A	4-9	18	STM1025	10-2	7	STM1703	4-16	4	STM2019	2-20	11
MP22BN12D	4-10	2	STM1025	10-3	7	STM1704	10-5	19	STM2022	10-1	11
MP22BS12A	4-9	18	STM1025	6-6	12	STM1704	4-15	5	STM2022	4-2	4
MP22BS12D	4-10	2	STM1025	4-15	8	STM1704	4-16	5	STM2022	10-2	13
MP34BN12A	4-12	22	STM1027	3-2	5	STM1705	10-5	20	STM2022	10-3	11
MP34BN12D	4-14	2	STM1027	3-7	3	STM1705	4-15	14	STM2022	4-6	7
MP34BS12A	4-12	22	STM1027	3-8	14	STM1705	4-16	6	STM2261	3-6	5
MP34BS12D	4-14	2	STM1030	6-6	11	STM1707	10-5	21	STM2261	3-10	12
P2295RKP	4-9	3	STM1030	6-8	32	STM1707	4-15	13	STM2492	2-2	16
P2295RKP	4-11	3	STM1056	5-1	10	STM1806	10-5	22	STM2507	10-2	12
P35134RKP	4-9	11	STM1056	10-1	17	STM1806	4-15	11	STM2507	10-7	10
P35134RKP	4-12	13	STM1056	4-2	9	STM1806	4-16	1	STM2507	10-8	10
P35254ZKP	4-9	15	STM1056	5-2	8	STM1807	10-5	23	STM2508	2-2	14
P35254ZKP	4-12	17	STM1056	10-2	20	STM1807	10-5	24	STM2510	2-1	12

art.nr. / part	pag. page	pos.	art.nr. / part	pag. page	pos.	art.nr. / part	pag. page	pos.	art.nr. / part	pag. page	pos.
STM2511	2-2	13	STM3355	3-8	11	STM4018	6-6	9	STM6116	3-9	16
STM2525	2-11	15	STM3355	3-14	20	STM4037	6-8	34	STM6121	3-2	17
STM2526	2-10	10	STM3387	2-1	7	STM4038	6-8	36	STM6121	4-4	6
STM2526	2-18	26	STM3409	6-3	8	STM4043	3-3	5	STM6126	3-10	3
STM2527	2-10	7	STM3410	6-3	9	STM4049	6-8	37	STM6126	3-14	10
STM2528	2-10	6	STM3448	2-5	16	STM4050	6-8	35	STM6126	3-14	11
STM2532	2-9	6	STM3491	5-4	6	STM4055	5-1	9	STM6127	3-10	2
STM2537	2-1	2	STM3650	4-8	2	STM4055	10-1	18	STM6127	3-14	8
STM2569	2-4	9	STM3688	4-4	3	STM4055	5-2	7	STM6127	3-14	9
STM2574	2-5	17	STM3688	4-6	3	STM4055	10-2	21	STM6130	3-2	9
STM2579	2-9	8	STM3690	1-1	1	STM4055	5-3	7	STM6162	3-14	14
STM2580	2-7	24	STM3690	6-6	5	STM4055	10-3	18	STM6168	3-14	7
STM2583	2-7	23	STM3705	3-2	21	STM4055	3-4	31	STM6169	3-14	6
STM2588	2-6	5	STM3705	3-4	27	STM4055	5-4	3	STM6170	3-14	12
STM2589	2-6	6	STM3736	10-7	9	STM4055	10-4	3	STM6171	3-14	1
STM2589	2-17	6	STM3736	10-8	9	STM4055	3-13	8	STM6172	3-14	11
STM2591	2-9	11	STM3736	10-9	6	STM4055	2-21	25	STM6173	3-14	13
STM2603	2-6	10	STM3742	3-12	5	STM4056	5-1	6	STM6180	6-6	10
STM2672	2-12	3	STM3750	3-3	3	STM4056	5-2	6	STM6185	6-7	22
STM2672	2-17	7	STM3771	3-4	33	STM4056	5-3	6	STM6186	6-7	23
STM2682	3-1	4	STM3771	5-4	1	STM4056	10-4	9	STM6198	3-4	22
STM2682	2-17	10	STM3796	3-6	7	STM4056	2-19	3	STM6238	4-16	13
STM2683	3-1	5	STM3796	6-6	3	STM4056	2-19	11	STM6239	4-16	13
STM2718	6-2	28	STM3797	6-6	2	STM4060	2-19	4	STM6269	4-8	6
STM2740	4-8	1	STM3813	5-1	2	STM4061	10-4	11	STM6269	4-13	28
STM2742	4-8	3	STM3813	5-2	2	STM4061	6-6	8	STM6305	2-15	1
STM3005	3-5	9	STM3813	5-3	2	STM4104	5-1	11	STM6341	4-13	30
STM3005	3-6	8	STM3813	10-4	5	STM4104	10-1	16	STM6503	3-2	8
STM3005	3-7	9	STM3817	6-8	30	STM4104	10-2	19	STM6531	3-2	15
STM3005	3-7	10	STM3912	2-11	24	STM4104	10-3	16	STM6531	3-3	8
STM3005	3-8	9	STM4003	5-1	4	STM4104	10-4	2	STM6562	4-4	13
STM3005	3-8	15	STM4003	5-2	4	STM4525	2-20	4	STM6562	4-6	11
STM3005	3-10	16	STM4003	5-2	11	STM4614	4-3	6	STM6568	4-15	15
STM3005	3-12	10	STM4003	5-3	4	STM4614	4-5	25	STM6571	4-11	1
STM3005	3-13	3	STM4003	5-3	12	STM4614	4-7	25	STM6581	6-7	18
STM3012	3-4	35	STM4003	5-3	14	STM4619	4-2	10	STM6581	6-7	19
STM3056	3-1	21	STM4003	10-4	7	STM4619	4-4	15	STM6617	3-5	6
STM3056	4-5	20	STM4003	10-5	28	STM4619	4-6	16	STM6617	10-7	8
STM3056	4-7	21	STM4003	6-8	31	STM5007	5-4	1	STM6617	3-8	6
STM3056	10-9	3	STM4010	2-19	5	STM5007	3-10	10	STM6617	10-8	8
STM3061	3-7	5	STM4011	2-19	8	STM5017	10-4	12	STM6911	4-12	24
STM3061	3-10	11	STM4013	6-6	7	STM5180	4-16	14	STM6912	4-9	2
STM3066	4-3	8	STM4014	3-2	20	STM5800	10-4	10	STM6914	4-11	2
STM3071	2-21	28	STM4014	3-4	26	STM5801	10-4	10	STM6918	4-9	13
STM3091	3-7	2	STM4014	4-4	4	STM6049	6-6	4	STM6918	4-12	15
STM3121	3-3	10	STM4014	4-6	4	STM6050	6-6	1	STM6941	4-3	10
STM3260	6-8	38	STM4014	4-16	8	STM6108	3-2	3	STM6942	4-3	10
STM3355	3-5	12	STM4018	10-1	12	STM6113	3-2	7	STM6943	4-3	10
STM3355	3-5	15	STM4018	10-2	14	STM6115	6-6	6	STM6944	4-3	10
STM3355	3-7	6	STM4018	10-3	12	STM6116	3-9	10	STM6945	4-3	11



art.nr. / part	pag. page	pos.	art.nr. / part	pag. page	pos.	art.nr. / part	pag. page	pos.	art.nr. / part	pag. page	pos.
STM6946	4-3	11	STM7463	3-14	5	STM7564	3-9	5	STM7625	4-6	2
STM6947	4-3	11	STM7464	1-1	2	STM7565	3-7	4	STM7627	4-2	7
STM6948	4-3	11	STM7464	3-14	15	STM7566	5-1	1	STM7640	4-2	2
STM6955	4-12	23	STM7466	3-13	1	STM7567	5-2	1	STM7641	4-2	3
STM6961	4-13	37	STM7467	3-13	4	STM7567	5-3	1	STM7641	4-6	8
STM6993	4-10	1	STM7468	3-13	5	STM7567	10-4	1	STM7642	4-2	5
STM6994	4-14	1	STM7469	3-13	2	STM7570	2-19	1	STM7642	4-6	6
STM7042	4-1	8	STM7470	2-20	3	STM7571	2-19	2	STM7643	1-1	4
STM7047	4-3	3	STM7471	2-20	5	STM7572	6-8	29	STM7643	3-1	19
STM7053	5-1	3	STM7472	4-15	19	STM7576	4-15	2	STM7643	4-2	6
STM7053	5-1	5	STM7474	3-12	4	STM7577	4-15	6	STM7646	4-2	11
STM7053	5-2	3	STM7474	2-16	3	STM7580	4-13	32	STM7646	3-9	14
STM7053	5-2	5	STM7474	2-18	18	STM7581	4-13	34	STM7646	3-10	13
STM7053	5-3	3	STM7475	3-12	9	STM7582	4-13	33	STM7648	3-2	22
STM7053	5-3	5	STM7476	3-3	14	STM7584	2-19	6	STM7649	4-3	1
STM7053	10-4	6	STM7476	2-20	9	STM7586	3-4	24	STM7654	3-1	11
STM7053	10-4	8	STM7477	3-11	8	STM7593	4-15	3	STM7654	3-6	3
STM7056	6-7	16	STM7477	2-20	13	STM7594	4-15	7	STM7674	3-5	10
STM7059	5-1	7	STM7479	4-3	4	STM7595	2-19	7	STM7679	3-4	29
STM7059	5-1	7	STM7481	3-2	24	STM7595	2-19	10	STM7683	10-7	13
STM7059	4-5	17	STM7481	3-4	37	STM7598	6-7	20	STM7683	10-8	13
STM7059	4-6	13	STM7483	2-9	3	STM7599	6-7	21	STM7688	3-14	3
STM7059	6-6	13	STM7483	3-12	6	STM7601	10-1	5	STM7689	3-14	4
STM7059	3-9	6	STM7484	2-15	2	STM7601	10-2	5	STM7696	3-14	9
STM7059	3-12	2	STM7485	3-12	8	STM7602	10-3	5	STM7702	2-8	3
STM7285	3-5	5	STM7487	3-11	4	STM7603	10-1	6	STM7704	2-8	7
STM7285	3-8	5	STM7487	2-21	21	STM7603	10-2	6	STM7705	2-8	8
STM7294	4-5	27	STM7488	3-9	4	STM7603	10-3	6	STM7707	2-8	11
STM7294	4-7	27	STM7488	3-10	19	STM7604	10-2	11	STM7708	2-8	12
STM7414	2-8	4	STM7489	3-3	15	STM7605	10-1	1	STM7709	2-8	13
STM7435	2-15	6	STM7490	3-12	1	STM7606	10-2	1	STM7709	2-17	12
STM7437	4-4	1	STM7493	2-20	1	STM7606	10-3	1	STM7710	3-2	19
STM7442	2-15	3	STM7496	3-3	13	STM7607	10-1	2	STM7710	3-4	25
STM7443	2-15	5	STM7496	2-21	27	STM7608	10-2	2	STM7710	2-8	14
STM7446	3-2	10	STM7497	3-11	1	STM7608	10-3	2	STM7711	2-8	2
STM7447	6-8	39	STM7497	2-21	17	STM7609	5-2	9	STM7712	2-6	1
STM7448	3-9	2	STM7498	3-4	30	STM7609	5-3	9	STM7713	2-6	2
STM7448	3-10	9	STM7498	5-4	2	STM7611	10-1	4	STM7714	2-6	3
STM7450	2-20	10	STM7498	3-13	7	STM7612	10-1	9	STM7715	2-6	4
STM7451	2-20	2	STM7499	3-12	7	STM7612	10-2	9	STM7716	2-6	7
STM7452	3-9	3	STM7551	3-2	2	STM7614	10-1	15	STM7717	2-6	8
STM7452	3-10	18	STM7552	3-2	1	STM7615	10-1	10	STM7718	2-6	9
STM7452	2-21	22	STM7553	3-3	2	STM7616	10-2	4	STM7719	2-6	11
STM7455	3-11	9	STM7555	3-2	6	STM7616	10-3	4	STM7720	2-6	12
STM7455	2-20	14	STM7559	3-6	1	STM7617	10-3	9	STM7721	2-6	14
STM7457	3-11	2	STM7560	3-6	9	STM7618	10-3	10	STM7722	2-6	15
STM7457	2-21	19	STM7560	3-7	1	STM7619	10-3	15	STM7723	2-6	16
STM7458	4-15	20	STM7560	3-8	13	STM7620	10-2	10	STM7724	2-7	17
STM7460	3-14	16	STM7561	3-9	11	STM7621	10-2	18	STM7725	2-7	18
STM7461	3-14	2	STM7562	3-9	1	STM7625	4-4	2	STM7727	2-7	20

art.nr. / part	pag. page	pos.	art.nr. / part	pag. page	pos.	art.nr. / part	pag. page	pos.	art.nr. / part	pag. page	pos.
STM7728	2-7	21	STM7782	2-12	13	STM7855	3-1	15	STM7902	6-1	8
STM7729	2-7	22	STM7783	2-12	7	STM7855	3-6	2	STM7903	6-1	9
STM7730	2-6	13	STM7784	2-12	8	STM7855	2-18	22	STM7904	6-1	10
STM7731	2-7	19	STM7784	2-17	3	STM7856	3-1	16	STM7905	6-1	11
STM7732	2-9	1	STM7786	2-12	9	STM7856	2-18	23	STM7906	6-1	12
STM7734	2-9	4	STM7793	2-4	3	STM7857	3-1	17	STM7907	6-1	13
STM7734	2-17	13	STM7794	2-4	4	STM7861	6-3	1	STM7908	6-1	14
STM7736	2-9	5	STM7795	2-4	5	STM7861	2-17	5	STM7909	6-1	15
STM7737	2-9	7	STM7796	2-4	6	STM7862	6-3	2	STM7910	6-1	16
STM7738	2-9	9	STM7799	2-4	7	STM7862	2-17	4	STM7911	6-1	17
STM7739	2-9	10	STM7800	2-4	7	STM7863	6-3	3	STM7912	6-1	18
STM7740	2-9	2	STM7801	2-4	7	STM7864	6-3	4	STM7914	6-2	20
STM7743	2-1	3	STM7802	2-4	7	STM7865	6-3	5	STM7915	6-2	21
STM7744	2-1	4	STM7803	2-4	8	STM7866	6-3	6	STM7916	6-2	22
STM7745	2-1	5	STM7804	2-5	10	STM7867	6-3	7	STM7917	6-2	23
STM7746	2-1	6	STM7805	2-5	11	STM7868	6-3	10	STM7918	6-2	24
STM7747	2-1	8	STM7806	2-5	12	STM7869	6-3	11	STM7918	2-18	24
STM7748	2-1	9	STM7807	2-5	13	STM7870	6-3	12	STM7919	6-2	25
STM7749	2-1	10	STM7809	2-5	14	STM7871	6-3	13	STM7920	6-2	26
STM7750	2-1	11	STM7810	2-5	15	STM7872	6-3	14	STM7921	6-2	27
STM7751	2-2	15	STM7812	2-5	18	STM7873	6-3	15	STM7922	6-2	29
STM7752	2-2	17	STM7814	2-11	18	STM7874	6-3	16	STM7923	6-2	30
STM7753	2-2	18	STM7816	2-11	20	STM7875	6-3	17	STM7924	6-2	31
STM7754	2-2	19	STM7817	2-11	21	STM7876	6-3	18	STM7925	6-2	32
STM7755	2-2	20	STM7818	2-11	22	STM7876	6-7	25	STM7927	6-2	34
STM7755	2-17	16	STM7820	2-16	2	STM7877	6-3	19	STM7927	2-17	9
STM7757	2-2	22	STM7820	2-18	19	STM7877	6-7	24	STM7928	6-2	35
STM7758	2-2	23	STM7821	2-18	21	STM7878	6-5	1	STM7931	4-8	4
STM7760	2-3	1	STM7823	2-16	4	STM7879	6-5	2	STM7932	4-8	5
STM7761	2-3	2	STM7825	3-2	18	STM7880	6-5	3	STM7933	4-1	4
STM7761	2-17	14	STM7825	3-2	23	STM7881	6-5	3	STM7934	4-1	5
STM7762	2-3	3	STM7825	3-3	11	STM7882	6-5	3	STM7935	4-1	6
STM7763	2-3	4	STM7825	2-18	20	STM7883	6-5	3	STM7936	4-1	3
STM7767	2-3	6	STM7826	2-12	10	STM7884	6-5	3	STM7940	2-11	16
STM7769	2-3	7	STM7827	2-12	11	STM7885	6-5	3	STM7941	2-11	17
STM7770	2-10	1	STM7828	2-12	12	STM7886	6-5	3	STM7953	2-17	11
STM7771	2-10	2	STM7829	2-12	1	STM7887	6-5	3	STM7959	2-8	5
STM7771	2-17	15	STM7831	2-12	2	STM7888	6-5	3	STM7960	2-8	6
STM7772	2-10	3	STM7832	2-12	5	STM7889	6-5	3	STM7961	2-8	9
STM7773	2-10	4	STM7834	4-8	8	STM7890	6-5	4	STM7962	2-12	4
STM7774	2-10	5	STM7844	3-1	2	STM7891	6-5	5	STM7963	2-17	2
STM7774	2-18	17	STM7846	3-1	6	STM7892	6-5	6	STM7964	2-18	25
STM7776	2-10	8	STM7846	2-17	8	STM7893	6-5	7	STM7965	2-17	1
STM7777	2-10	9	STM7847	3-1	7	STM7894	6-5	8	STM7967	4-1	2
STM7777	2-18	27	STM7848	3-1	8	STM7896	6-1	2	STM7969	6-4	2
STM7778	2-10	11	STM7849	3-1	9	STM7897	6-1	3	STM7972	6-4	5
STM7779	2-10	12	STM7850	3-1	10	STM7898	6-1	4	STM7975	6-4	8
STM7779	2-10	13	STM7852	3-1	12	STM7899	6-1	5	STM7976	6-4	9
STM7780	2-11	23	STM7853	3-1	13	STM7900	6-1	6	STM7977	6-4	10
STM7781	2-10	14	STM7854	3-1	14	STM7901	6-1	7	STM7978	6-4	11

art.nr. / part	pag. page	pos.	art.nr. / part	pag. page	pos.	art.nr. / part	pag. page	pos.	art.nr. / part	pag. page	pos.
STM7979	6-4	12	STM9178	4-11	10	STM9473	1-1	7	STM9857	1-1	4
STM7980	6-4	13	STM9179	4-11	11	STM9477	2-2	24	STM9857	4-4	5
STM7981	6-4	14	STM9180	4-9	14	STM9500	10-7	6	STM9858	1-1	4
STM7982	6-4	15	STM9181	4-12	16	STM9500	10-8	6	STM9858	4-6	5
STM7983	6-4	16	STM9186	4-9	1	STM9501	10-7	3	STM9859	3-5	11
STM7985	6-4	17	STM9188	4-9	17	STM9501	10-8	3	STM9859	3-8	10
STM7986	6-4	18	STM9188	4-12	14	STM9502	3-3	17	STM9860	3-5	16
STM7987	6-4	19	STM9215	4-9	12	STM9502	10-7	5	STM9860	3-8	12
STM7988	6-7	26	STM9215	4-12	21	STM9502	10-8	5	STM9861	4-5	23
STM7989	6-7	27	STM9262	6-7	15	STM9503	3-3	18	STM9861	4-7	23
STM7990	6-7	28	STM9292	4-2	1	STM9503	10-7	4	STM9862	4-3	1
STM7999	4-8	7	STM9292	4-6	1	STM9503	10-8	4	STM9862	4-5	21
STM8057	6-7	17	STM9317	10-4	13	STM9503	3-13	6	STM9863	4-5	22
STM8126	3-5	3	STM9318	10-4	14	STM9504	3-3	19	STM9864	4-7	22
STM8126	3-8	3	STM9318	10-6	1	STM9504	10-7	2	STM9872	2-21	24
STM8129	4-15	18	STM9319	10-5	25	STM9504	10-8	2	STM9873	3-3	12
STM8148	3-4	34	STM9320	10-5	26	STM9505	3-3	20	STM9877	3-11	5
STM8148	5-4	5	STM9322	10-6	2	STM9505	10-7	1	STM9877	2-21	18
STM8255	4-15	1	STM9323	10-6	3	STM9505	10-8	1	STM9881	3-3	1
STM8277	5-3	10	STM9324	10-6	4	STM9505	3-12	11	STM9888	4-9	20
STM8326	4-12	25	STM9325	10-6	5	STM9507	3-3	4	STM9888	4-13	36
STM8332	10-1	3	STM9326	10-6	6	STM9507	10-7	12	STM9890	2-20	10
STM8332	10-2	3	STM9327	10-6	7	STM9507	10-8	12	STM9891	3-10	7
STM8332	10-3	3	STM9328	10-6	8	STM9511	3-4	38	STM9892	3-10	8
STM8391	10-2	15	STM9329	10-6	9	STM9512	3-4	39	STM9893	3-10	1
STM8569	4-15	9	STM9330	10-6	10	STM9513	3-3	16	STM9893	3-14	16
STM8741	2-20	7	STM9333	10-6	11	STM9514	3-4	21	STM9895	3-5	8
STM9003	5-2	10	STM9334	10-6	12	STM9682	4-2	12	STM9901	2-8	1
STM9003	5-3	11	STM9335	10-6	13	STM9682	3-5	2	STM9902	2-2	21
STM9003	5-3	13	STM9336	10-6	14	STM9682	3-8	2	STM9903	6-2	19
STM9003	10-5	29	STM9337	10-6	15	STM9712	2-20	6	STM9930	3-11	7
STM9043	4-3	5	STM9338	10-6	16	STM9713	2-20	8	STM9931	3-11	6
STM9050	4-3	7	STM9440	3-1	20	STM9731	4-9	16	STM9938	2-13	6
STM9050	4-5	24	STM9440	4-5	18	STM9731	4-13	35	STM9938	2-14	6
STM9050	4-7	24	STM9440	4-7	19	STM9742	4-16	11	STM9941	2-13	1
STM9063	4-3	2	STM9440	10-9	4	STM9750	4-16	10	STM9941	2-14	1
STM9063	4-5	26	STM9441	3-1	22	STM9765	4-16	9	STM9942	2-13	2
STM9063	4-7	26	STM9441	4-5	19	STM9780	3-5	17	STM9942	2-14	2
STM9169	4-9	4	STM9441	4-7	20	STM9780	3-8	16	STM9943	2-13	3
STM9169	4-11	4	STM9441	10-8	7	STM9805	4-7	28	STM9943	2-14	3
STM9170	4-9	5	STM9441	10-9	2	STM9806	4-5	28	STM9945	2-13	4
STM9170	4-11	5	STM9442	2-14	5	STM9851	3-5	1	STM9945	2-14	4
STM9171	4-9	6	STM9443	10-9	5	STM9851	3-8	1	STM9946	2-13	7
STM9171	4-11	6	STM9444	10-9	7	STM9852	3-5	7	STM9946	2-14	7
STM9172	4-9	7	STM9445	3-1	3	STM9852	3-8	7	STM9947	2-13	5
STM9172	4-11	7	STM9445	10-7	7	STM9853	3-8	8	STM9951	3-1	1
STM9176	4-9	8	STM9446	10-9	8	STM9854	4-4	9	STM9954	3-1	18
STM9176	4-11	8	STM9447	3-4	28	STM9855	4-6	9	STM9963	6-4	4
STM9177	4-9	9	STM9471	1-1	5	STM9856	4-4	12	STM9964	6-4	6
STM9177	4-11	9	STM9472	1-1	6	STM9856	4-6	10	STM9965	6-4	7

art.nr. / part	pag. page	pos.
STM9966	6-2	33
STM9967	6-1	1
STM9968	6-4	3
STM9969	6-2	36
STM9970	6-3	20
STM9972	6-4	1
STM9973	4-1	1
STM9986	2-8	10
STM9987	2-1	1
STM9988	2-3	5
STM9989	2-3	6
STM9990	2-3	7
STM9991	2-3	8
STM9992	2-4	1
STM9993	2-4	2
STM9994	2-4	3
STM9995	2-4	2
STM9996	2-4	2
STM9997	2-4	2
STM9998	2-11	19
STM9999	2-16	1



**VETUS** n.v.

FOKKERSTRAAT 571 - 3125 BD SCHIEDAM - HOLLAND  
TEL.: +31 (10) 4377700 - TELEFAX: +31 (10) 4372673 - 4621286  
E-MAIL: [sales@vetus.nl](mailto:sales@vetus.nl) - INTERNET: <http://www.vetus.com>